

US00D696705S

(12) **United States Design Patent**  
**Kehoe et al.**

(10) **Patent No.:** **US D696,705 S**

(45) **Date of Patent:** **\*\* Dec. 31, 2013**

(54) **SUBMERSIBLE MIXER**

(71) Applicant: **Sulzer Pumpen AG**, Winterthur (CH)

(72) Inventors: **Mark Kehoe**, Crossabeg (IE); **Andrejas Vukovic**, Much (DE)

(73) Assignee: **Sulzer Pumpen AG**, Winterthur (CH)

(\*\*) Term: **14 Years**

(21) Appl. No.: **29/449,258**

(22) Filed: **Mar. 14, 2013**

(30) **Foreign Application Priority Data**

Sep. 14, 2012 (CH) ..... 1392/32

(51) **LOC (9) Cl.** ..... **15-99**

(52) **U.S. Cl.**  
USPC ..... **D15/147**

(58) **Field of Classification Search**  
USPC ..... D7/376-379, 387; D12/214; D15/122,  
D15/138, 147, 199; D23/207; 366/241, 264,  
366/265, 317; 416/9 A, 62, 93 R, 223 R;  
440/49, 76, 79, 80, 81, 82  
See application file for complete search history.

(56) **References Cited**

**U.S. PATENT DOCUMENTS**

D282,371 S \* 1/1986 Johansson ..... D15/147  
D306,033 S \* 2/1990 Fries et al. .... D15/147

D341,608 S \* 11/1993 Fries ..... D15/147  
D432,621 S \* 10/2000 Etschel et al. .... D23/200  
D576,539 S \* 9/2008 Tymark et al. .... D12/214  
7,455,497 B2 \* 11/2008 Lee ..... 415/72  
D677,611 S \* 3/2013 Janecke ..... D12/214  
D677,612 S \* 3/2013 Janecke ..... D12/214  
2009/0110588 A1 \* 4/2009 Inoue et al. .... 420/38  
2010/0284241 A1 \* 11/2010 Fondelius ..... 366/164.2  
2013/0129514 A1 \* 5/2013 Lehmann ..... 416/223 R

\* cited by examiner

*Primary Examiner* — Patricia Palasik

(74) *Attorney, Agent, or Firm* — Kilpatrick Townsend & Stockton LLP

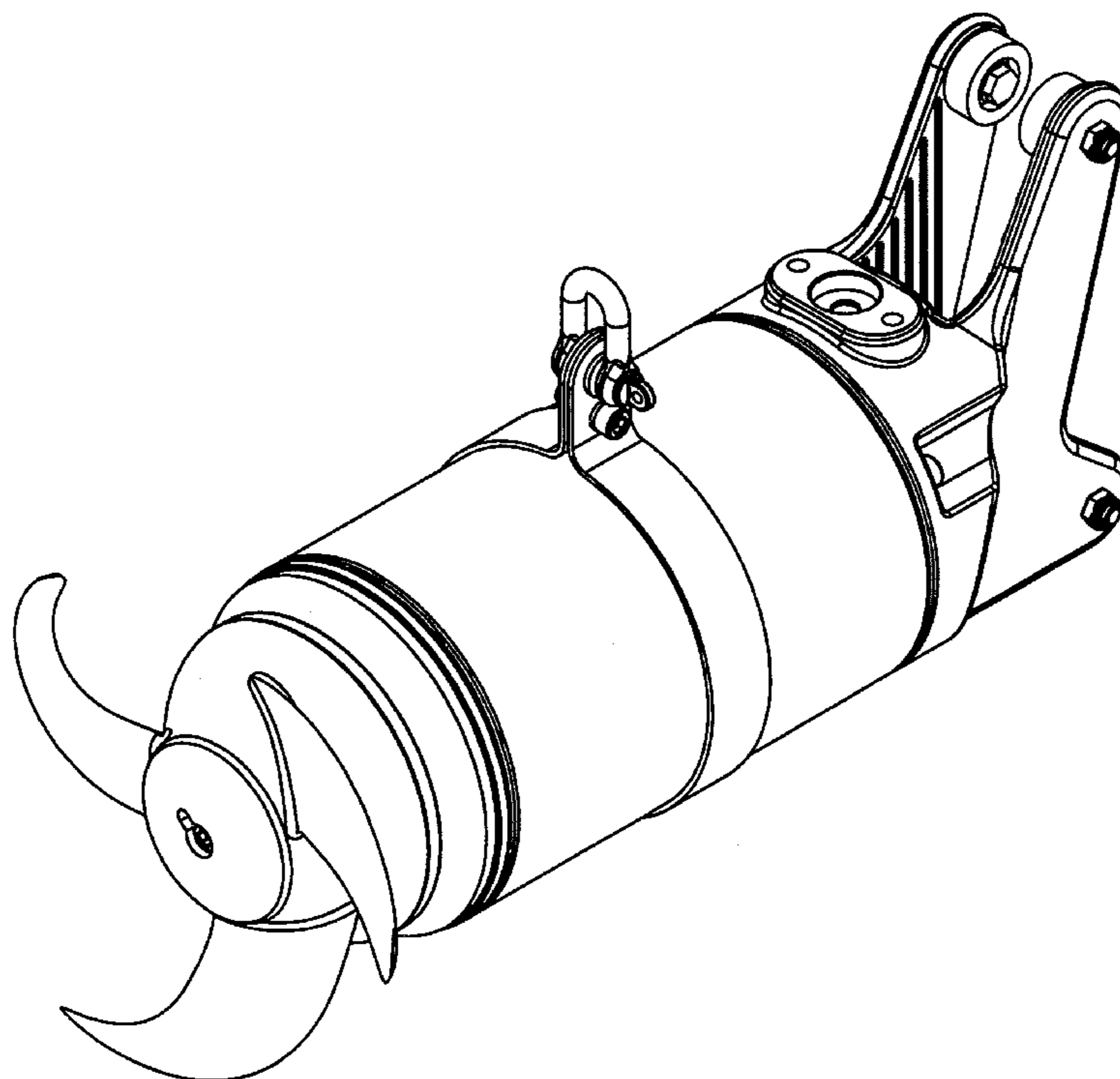
(57) **CLAIM**

The ornamental design for a submersible mixer, as shown and described.

**DESCRIPTION**

FIG. 1 is a top view of the submersible mixer showing our new design;  
FIG. 2 is a front perspective view thereof;  
FIG. 3 is left side elevational view thereof;  
FIG. 4 is right side elevational view thereof;  
FIG. 5 is a rear perspective view thereof;  
FIG. 6 is a bottom view thereof;  
FIG. 7 is a front view thereof; and,  
FIG. 8 is a rear view thereof.  
Portions or features of the submersible mixer not shown in the drawings form no part of the claimed design. The broken lines in the drawings form no part of the claimed design.

**1 Claim, 8 Drawing Sheets**



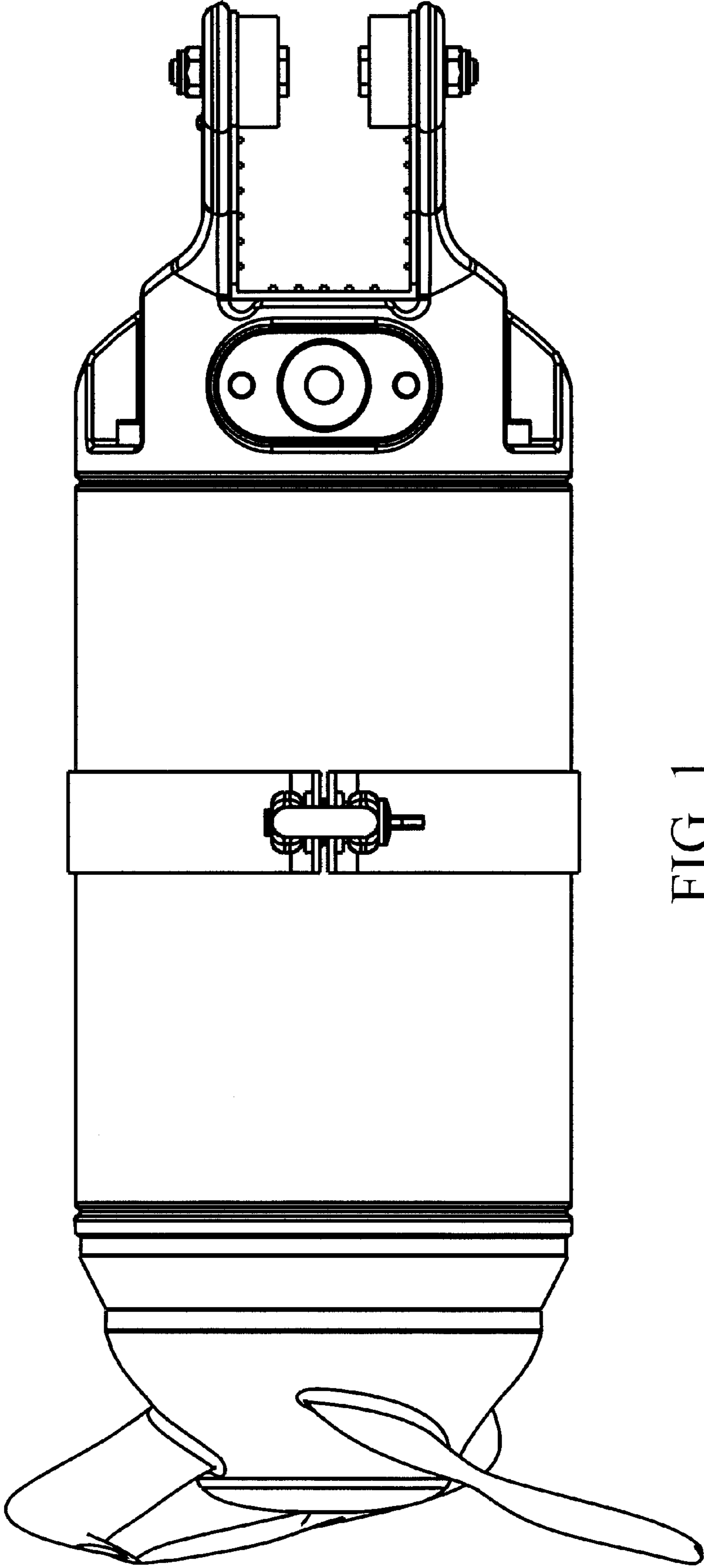


FIG. 1

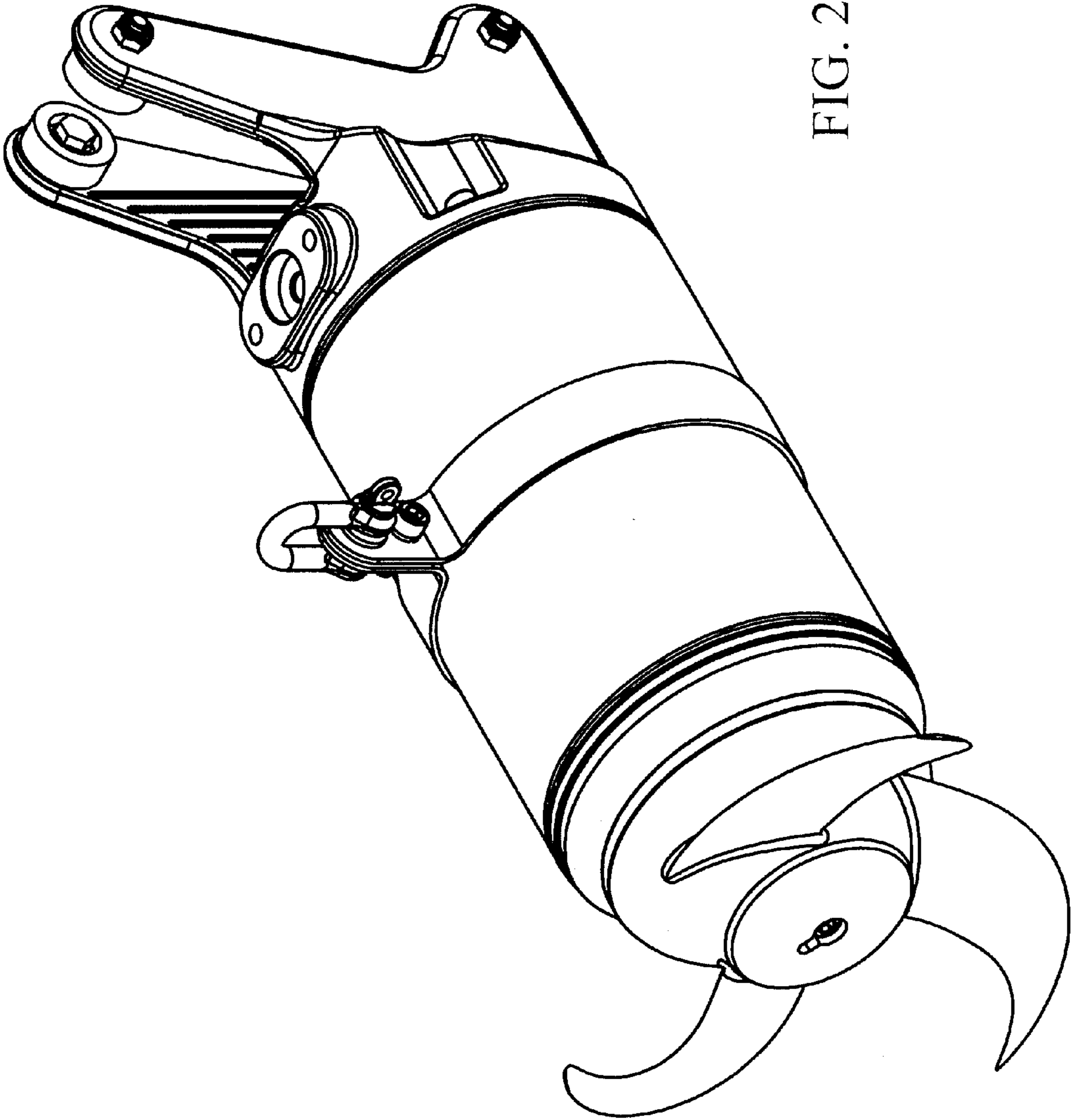


FIG. 2

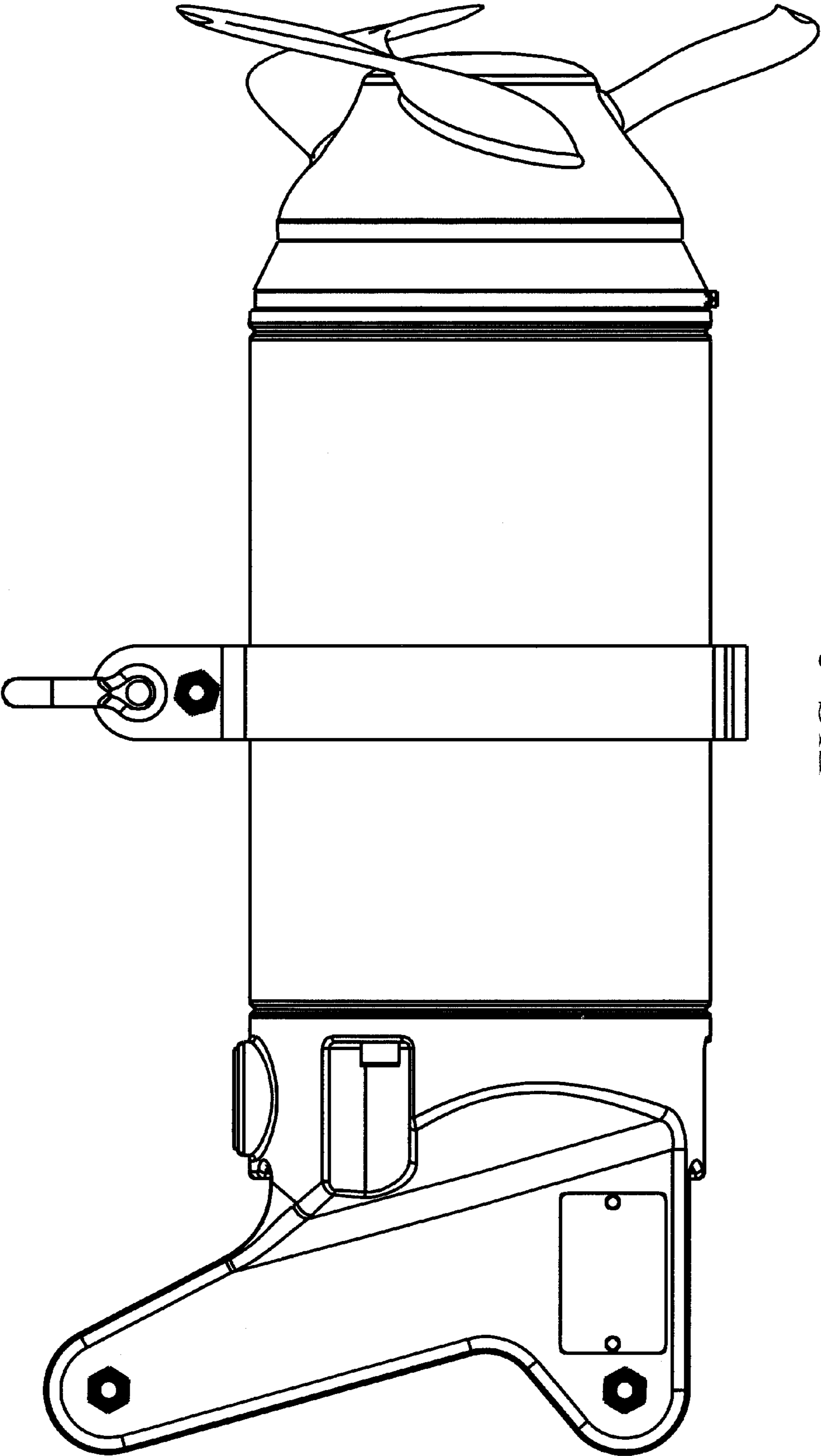


FIG. 3

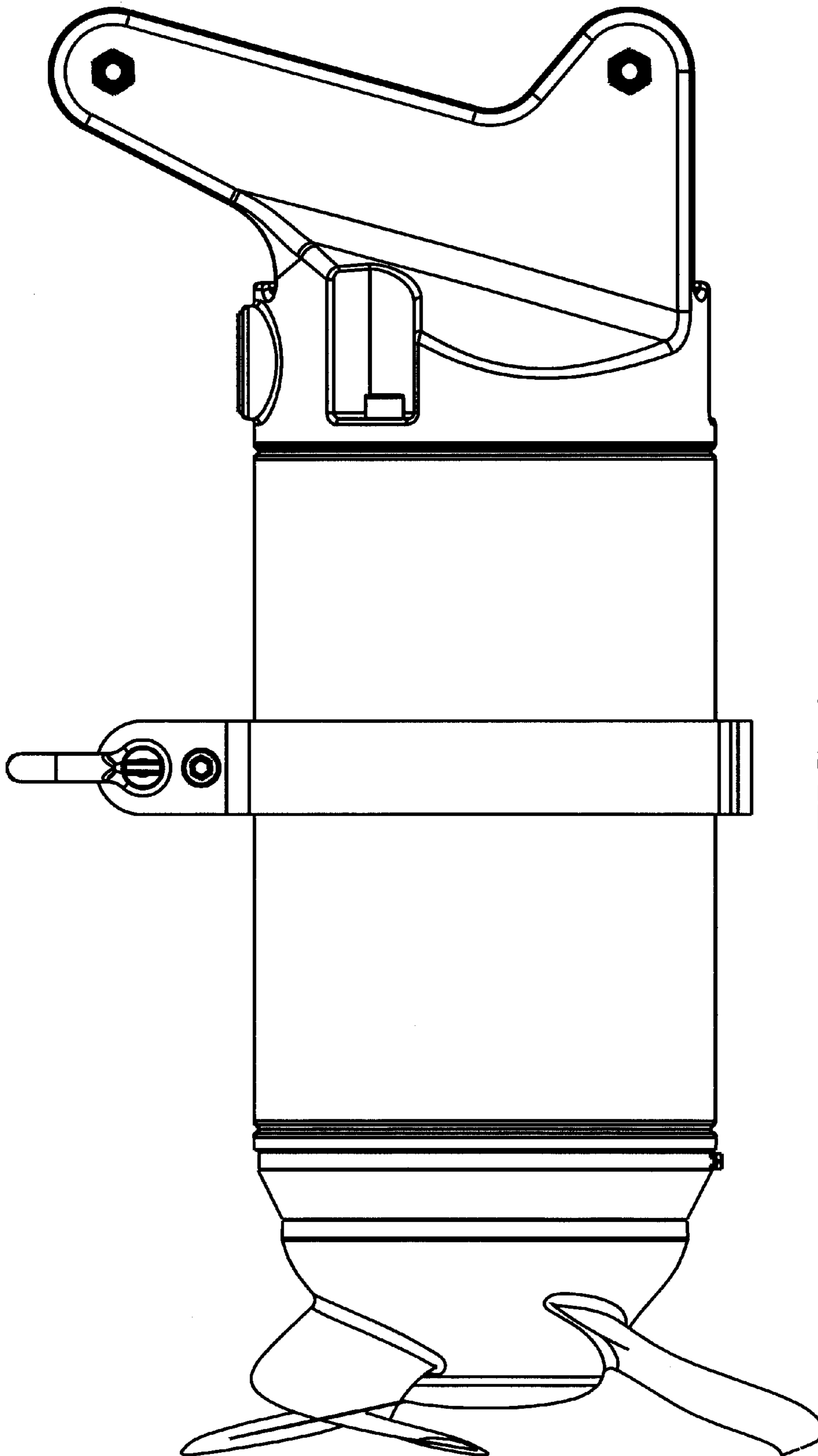


FIG. 4

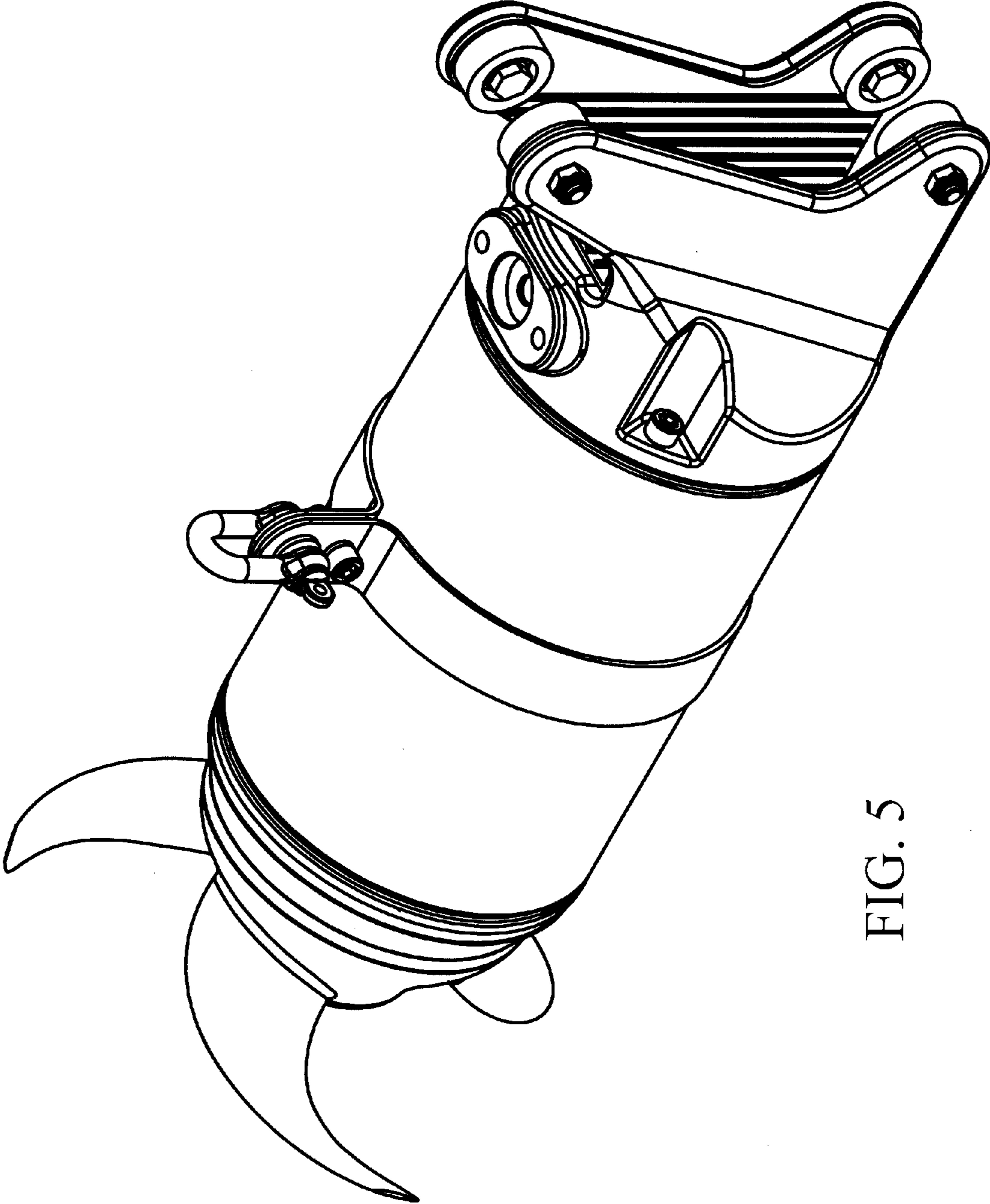


FIG. 5

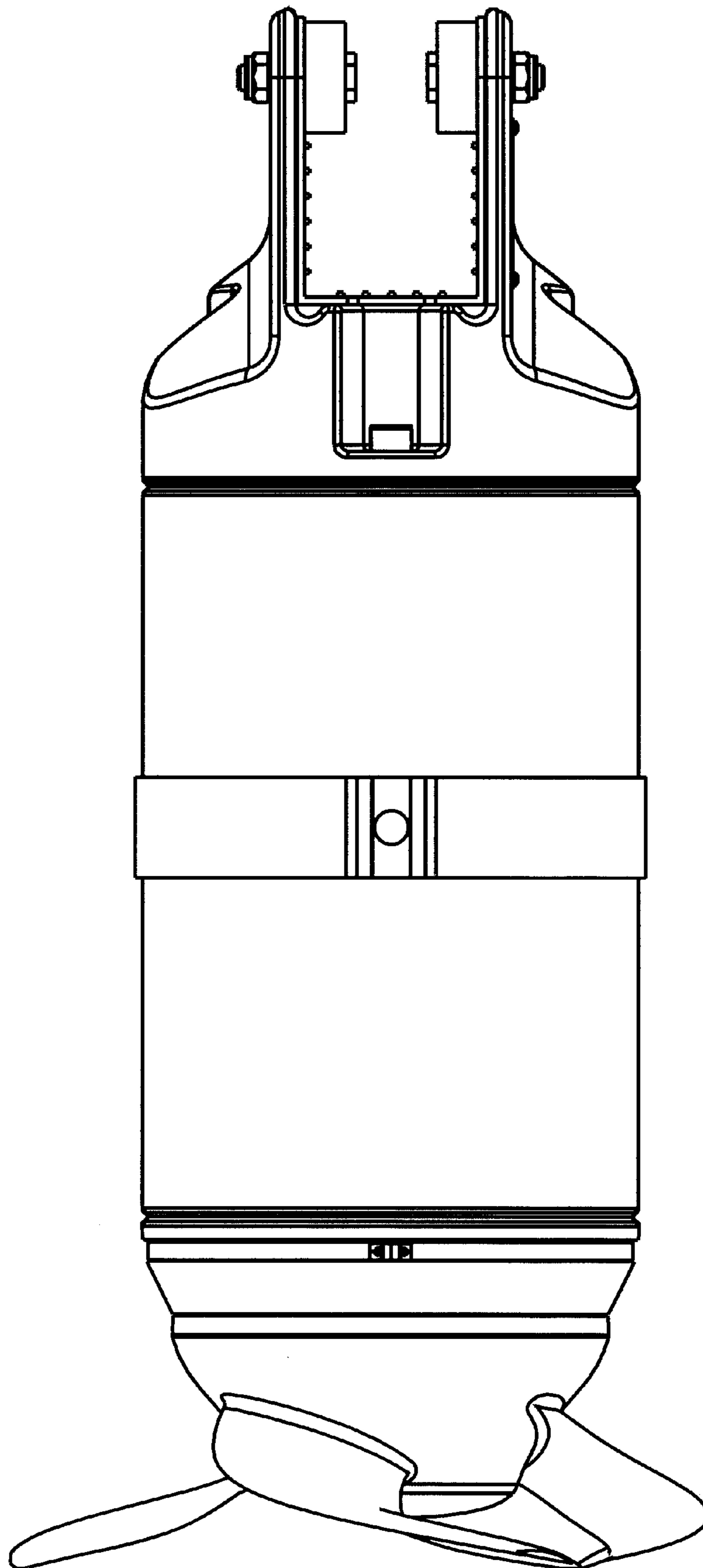


FIG. 6

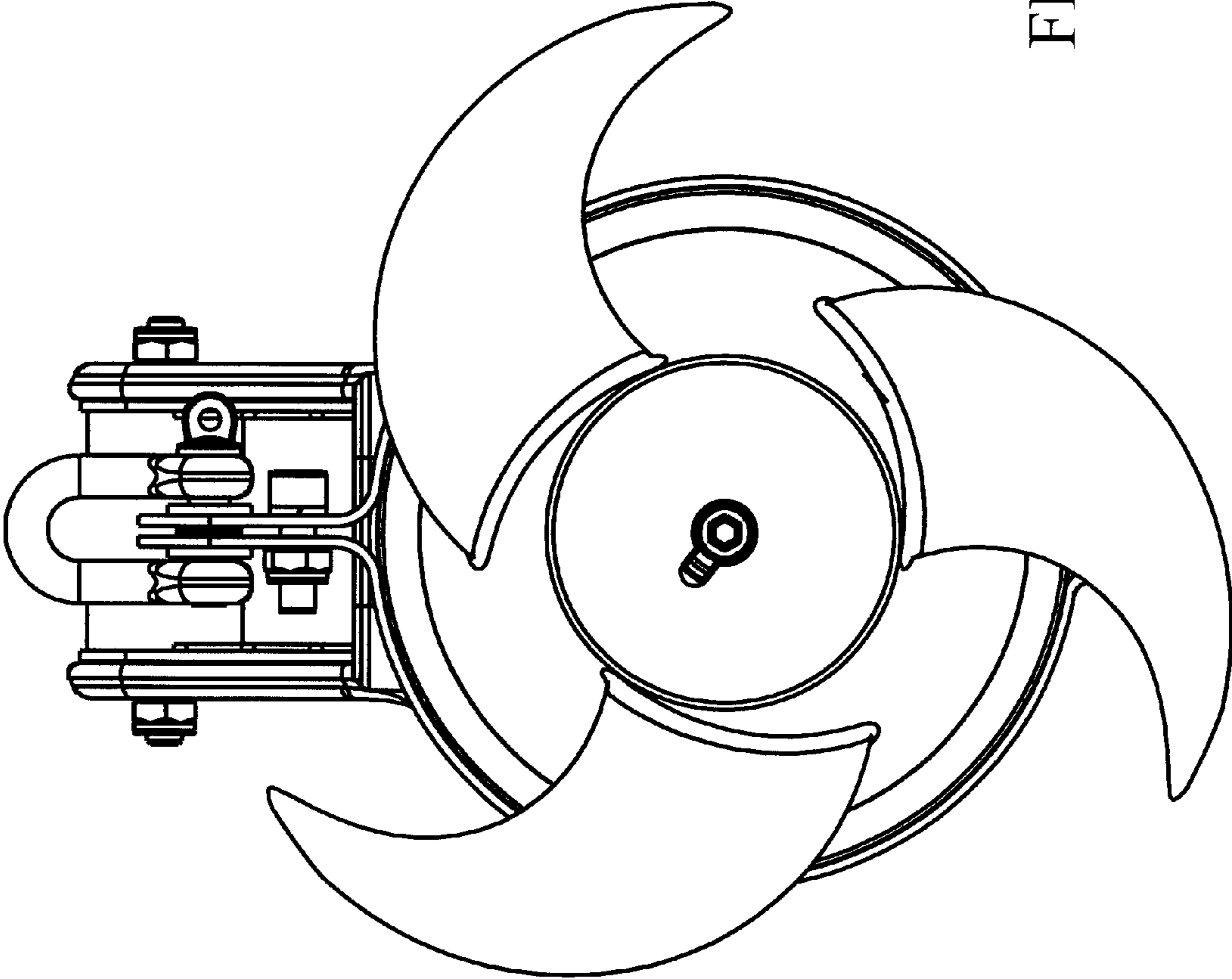


FIG. 7



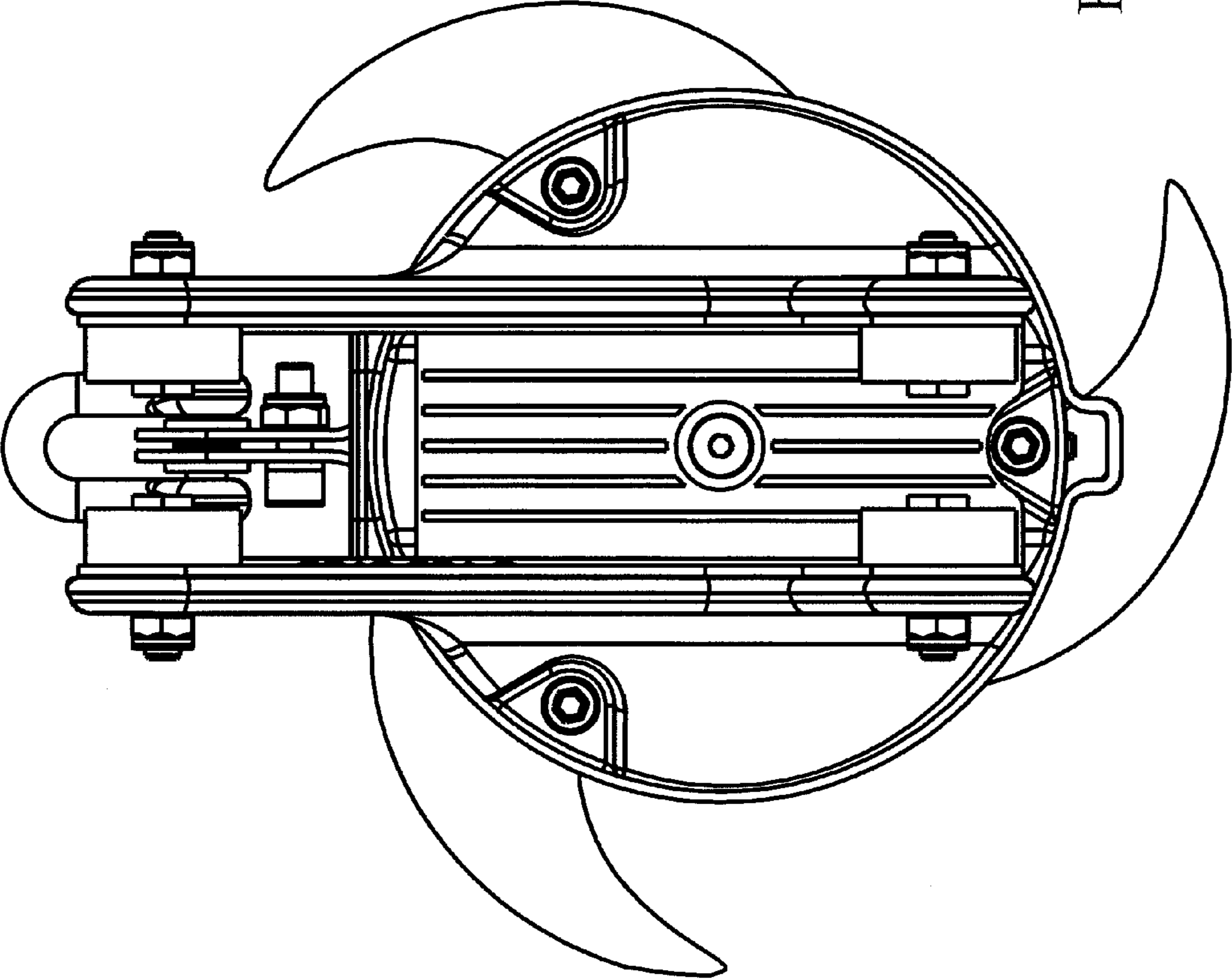


FIG. 8