



US00D696704S

(12) **United States Design Patent**  
**Battistella**

(10) **Patent No.:** **US D696,704 S**

(45) **Date of Patent:** **\*\* Dec. 31, 2013**

(54) **LINEAR ACTUATOR**

(71) Applicant: **SIR Società Italiana Riduttori S.r.l.**,  
Valdagno (IT)

(72) Inventor: **Francesco Battistella**, Valdagno (IT)

(73) Assignee: **SIR Societa Italiana Riduttori S.r.l.**,  
Valdagano (VI) (IT)

(\*\*) Term: **14 Years**

(21) Appl. No.: **29/459,010**

(22) Filed: **Jun. 25, 2013**

(30) **Foreign Application Priority Data**

Dec. 28, 2012 (EM) ..... 002160267

(51) **LOC (9) Cl.** ..... **15-99**

(52) **U.S. Cl.**  
USPC ..... **D15/143; D15/199**

(58) **Field of Classification Search**  
USPC ..... D13/118, 158, 162, 184; D15/1-5, 7, 9,  
D15/143, 148, 149, 199; 74/89.15, 90.15,  
74/411.54, 490.09; 297/325, 327; 310/20,  
310/20.8, 80, 300

See application file for complete search history.

(56) **References Cited**

**U.S. PATENT DOCUMENTS**

D458,284 S \* 6/2002 Landerholm et al. .... D15/143  
D514,146 S \* 1/2006 Haneball ..... D15/143  
D577,753 S \* 9/2008 Lund et al. .... D15/143  
D589,991 S \* 4/2009 Chen ..... D15/143

D594,487 S \* 6/2009 Lund et al. .... D15/143  
D595,752 S \* 7/2009 Lin et al. .... D15/143  
D595,753 S \* 7/2009 Tseng ..... D15/143  
D596,652 S \* 7/2009 Roither et al. .... D15/143  
D632,321 S \* 2/2011 Wu ..... D15/143  
D646,310 S \* 10/2011 Lan ..... D15/143  
D654,524 S \* 2/2012 Iversen et al. .... D15/199  
D656,975 S \* 4/2012 Tseng ..... D15/143  
D686,648 S \* 7/2013 Wu ..... D15/143  
2005/0264109 A1 \* 12/2005 Abrahamsen ..... 310/20

\* cited by examiner

*Primary Examiner* — Patricia Palasik

(74) *Attorney, Agent, or Firm* — Notaro, Michalos &  
Zaccaria P.C.

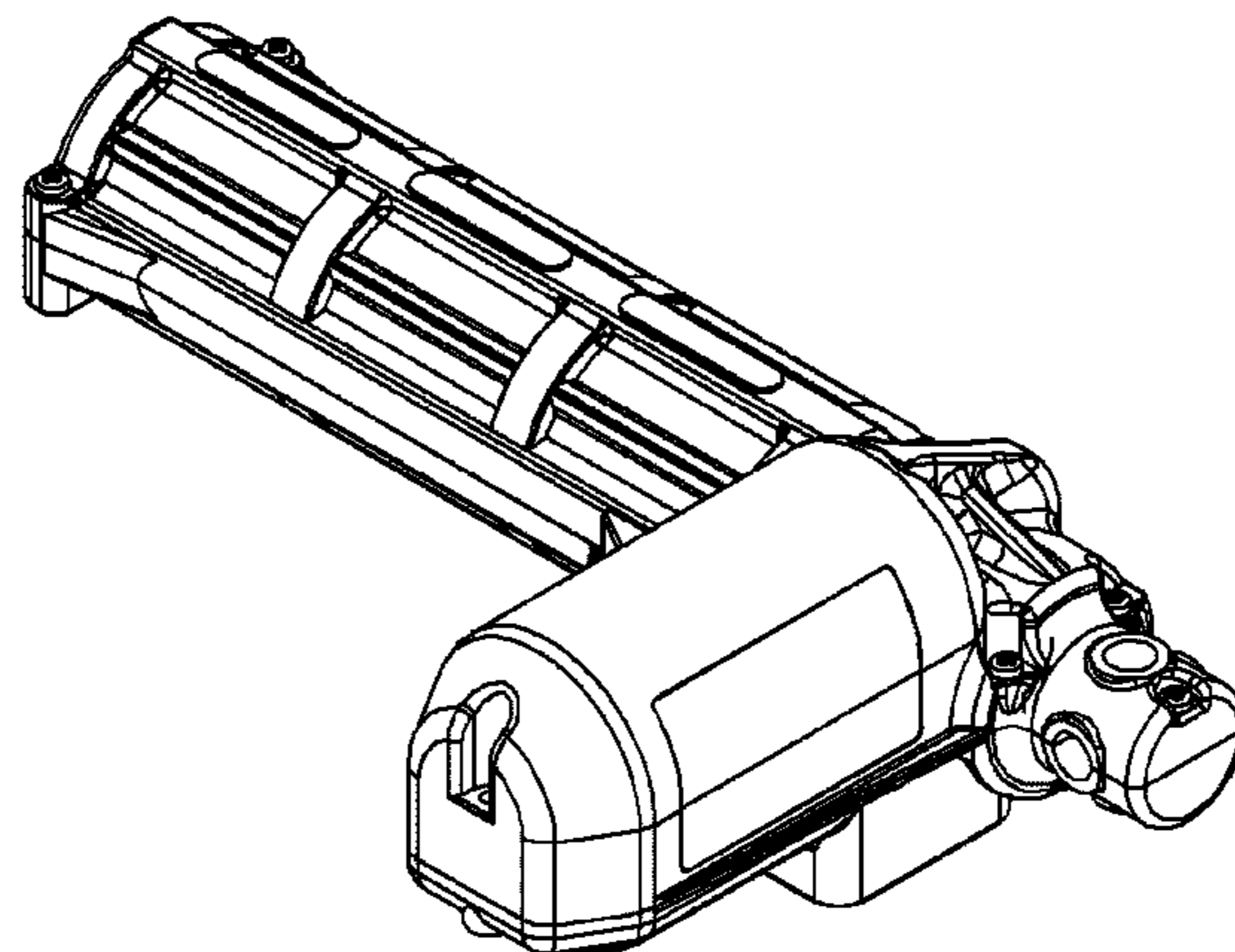
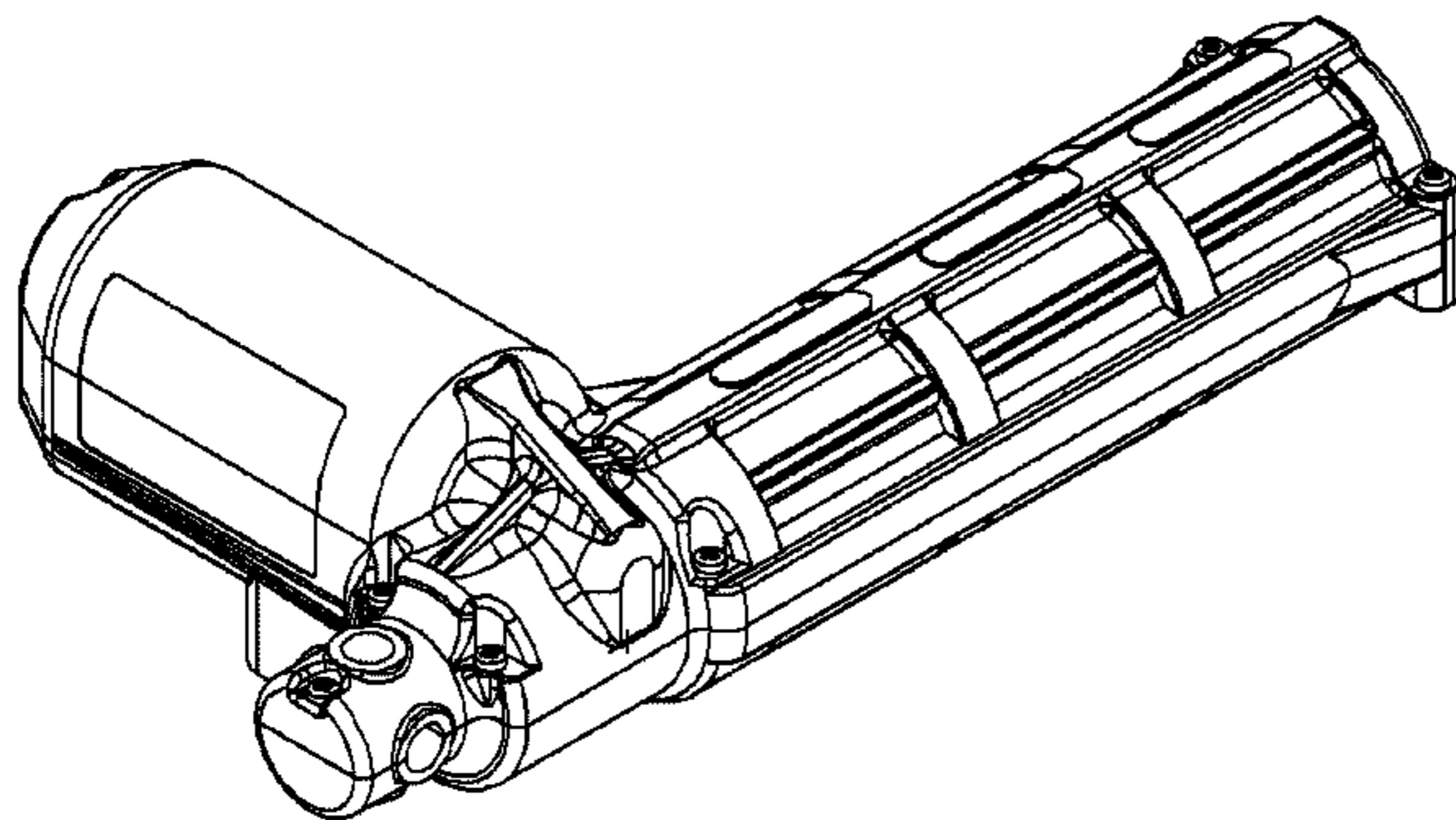
(57) **CLAIM**

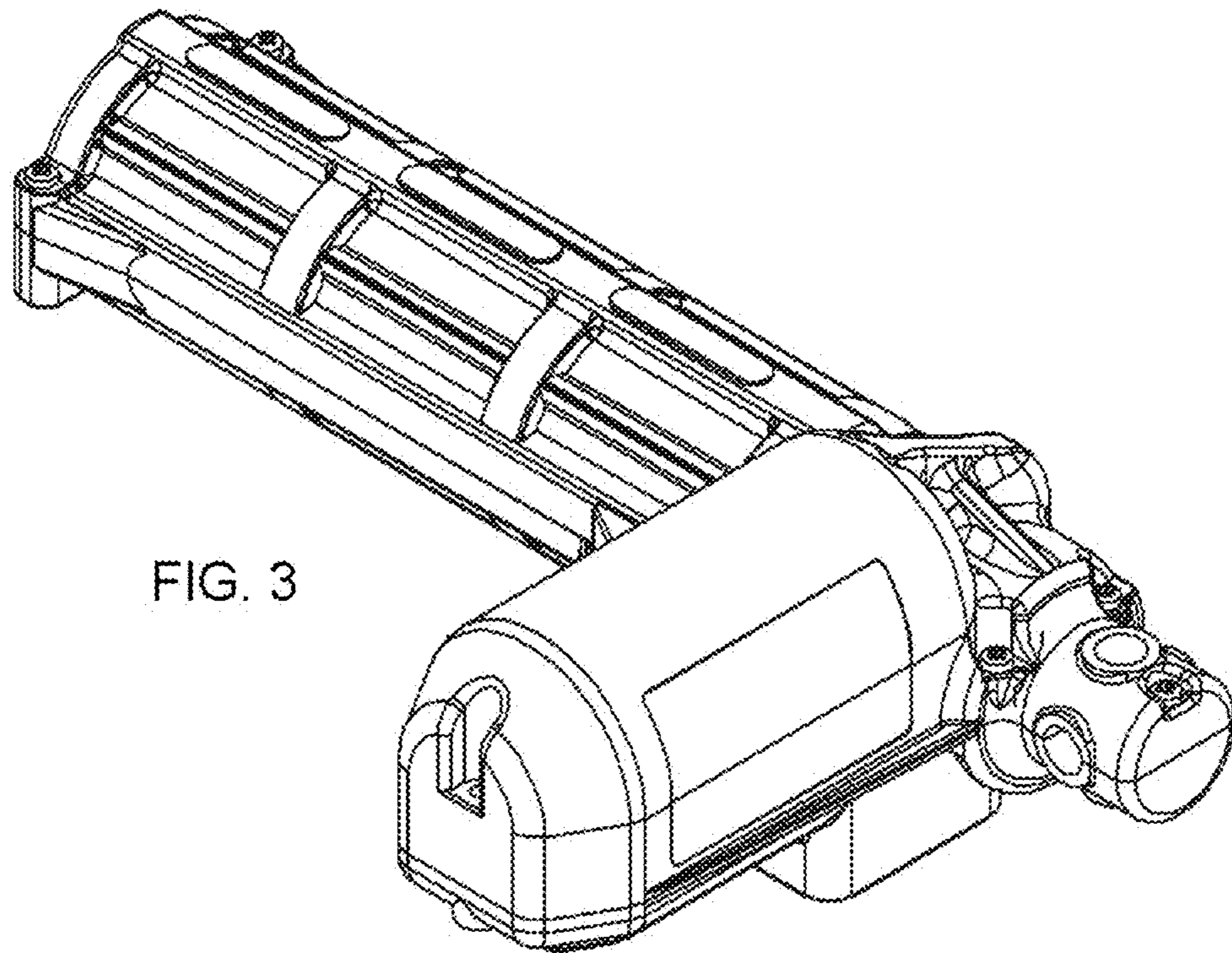
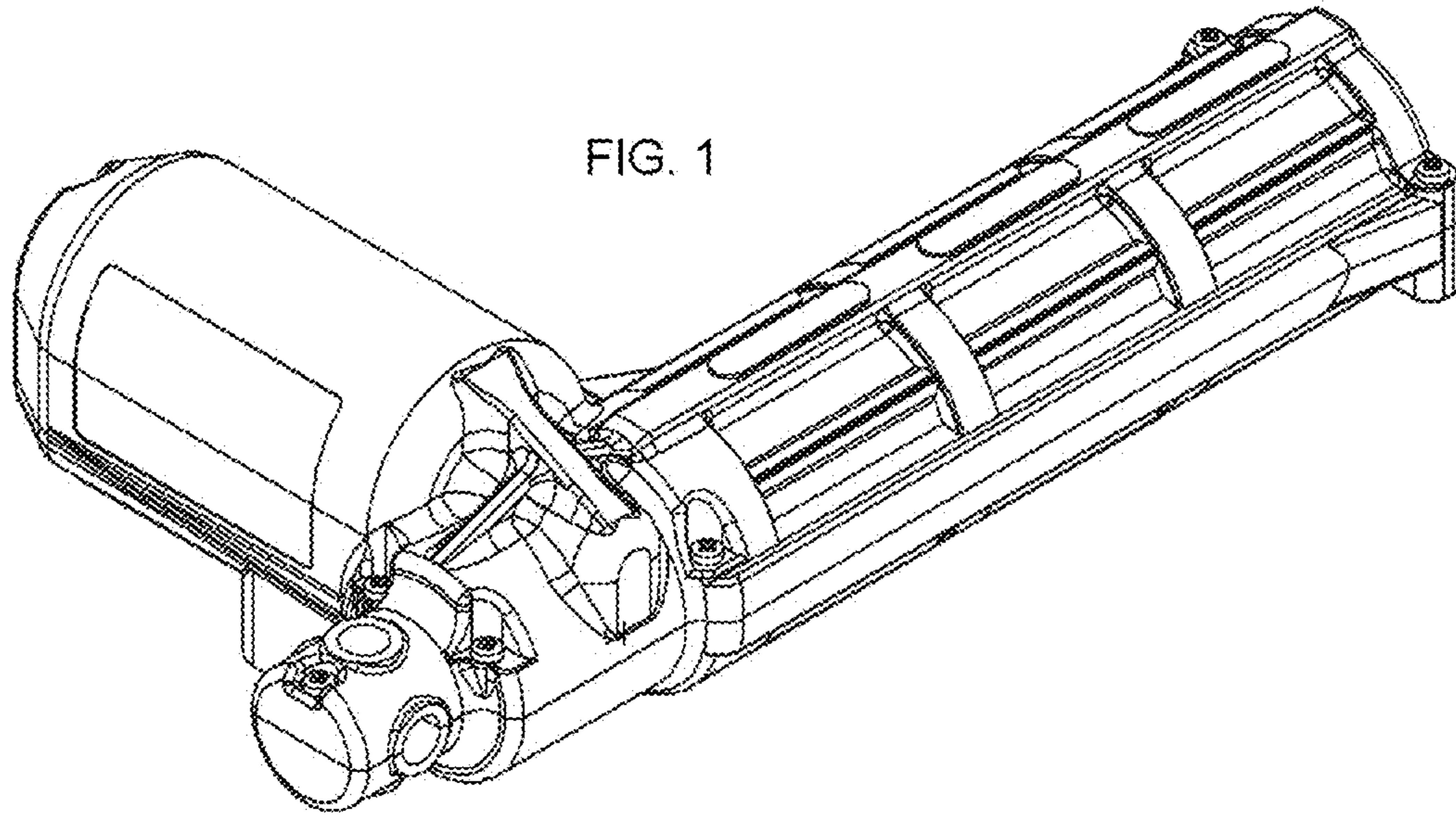
The ornamental design for a linear actuator, as shown and described.

**DESCRIPTION**

FIG. 1 is a front, top right perspective view of a linear actuator showing my new design therefor;  
FIG. 2 is a bottom plan view thereof;  
FIG. 3 is a top, rear right perspective view thereof;  
FIG. 4 is a front elevational view thereof;  
FIG. 5 is a right side elevational view thereof;  
FIG. 6 is a rear elevational view thereof;  
FIG. 7 is a left side elevational view thereof;  
FIG. 8 is a bottom, right front perspective view thereof;  
FIG. 9 is a top plan view thereof;  
FIG. 10 is a top, left front perspective view thereof;  
FIG. 11 is a top, rear right perspective view thereof; and,  
FIG. 12 is a top, front left perspective view thereof.

**1 Claim, 6 Drawing Sheets**





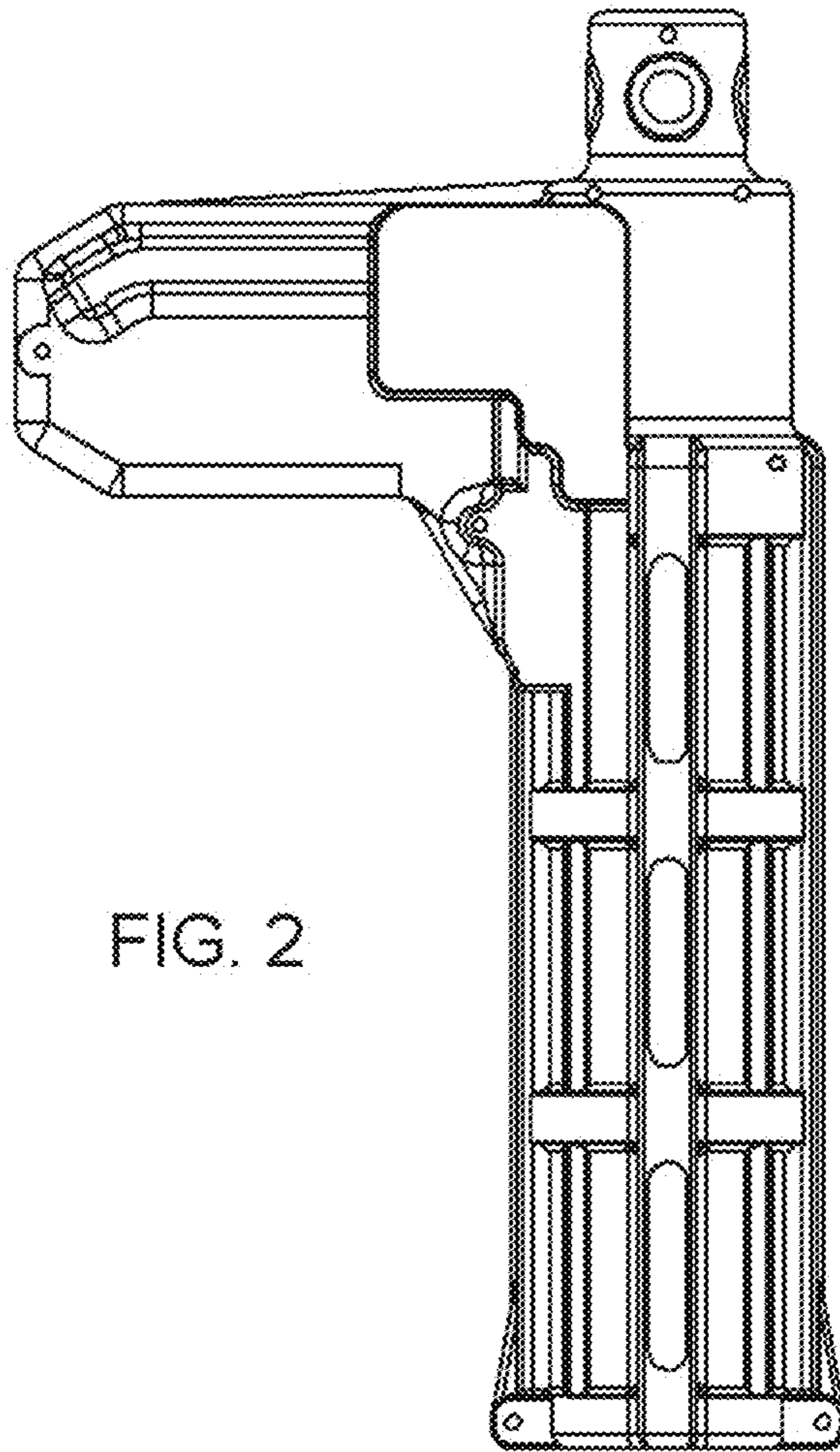
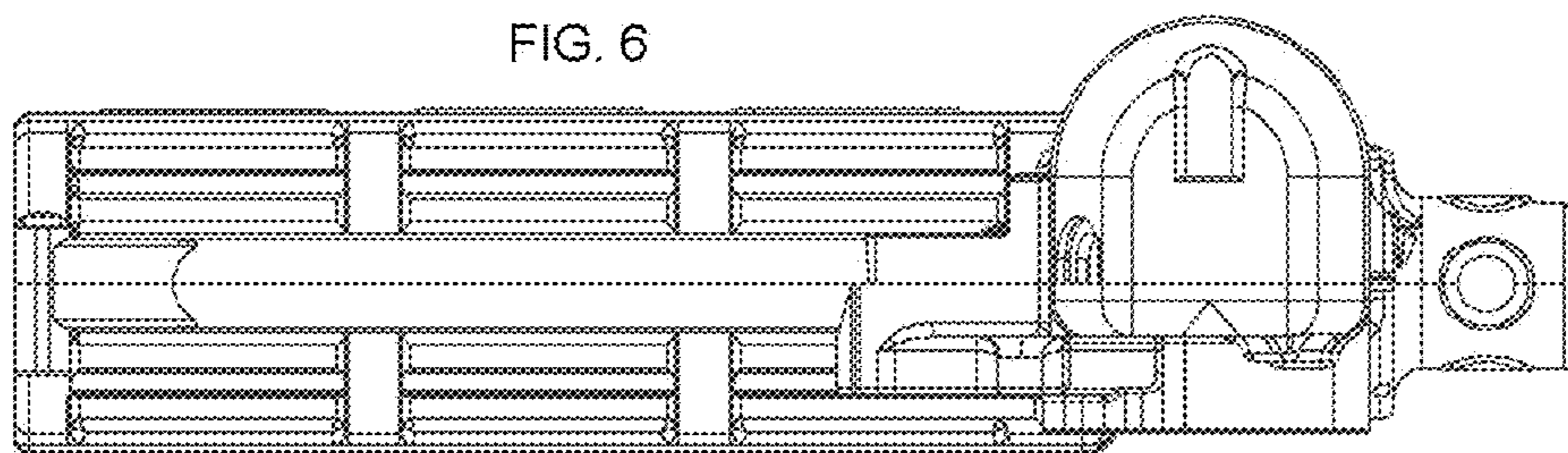
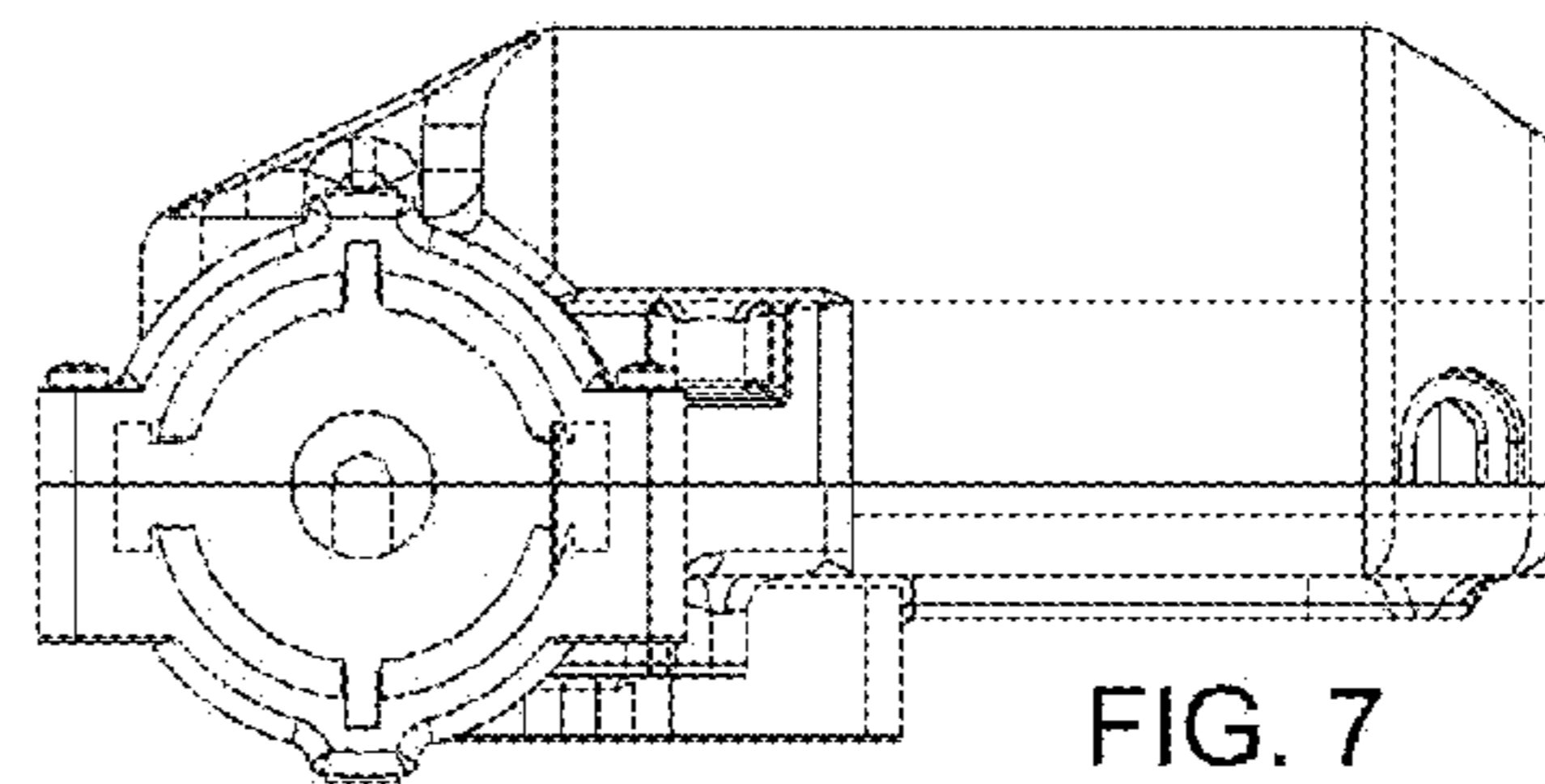
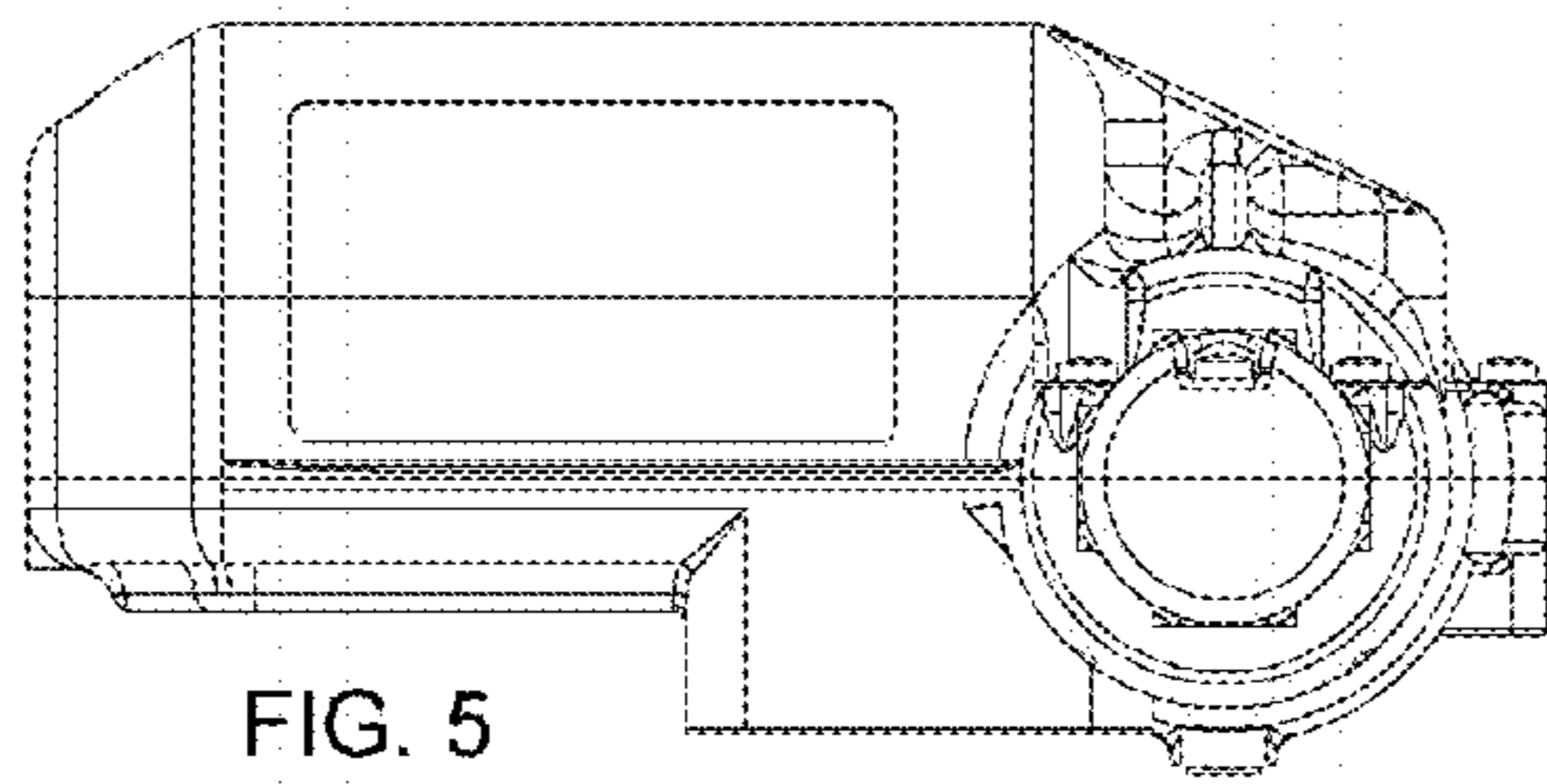
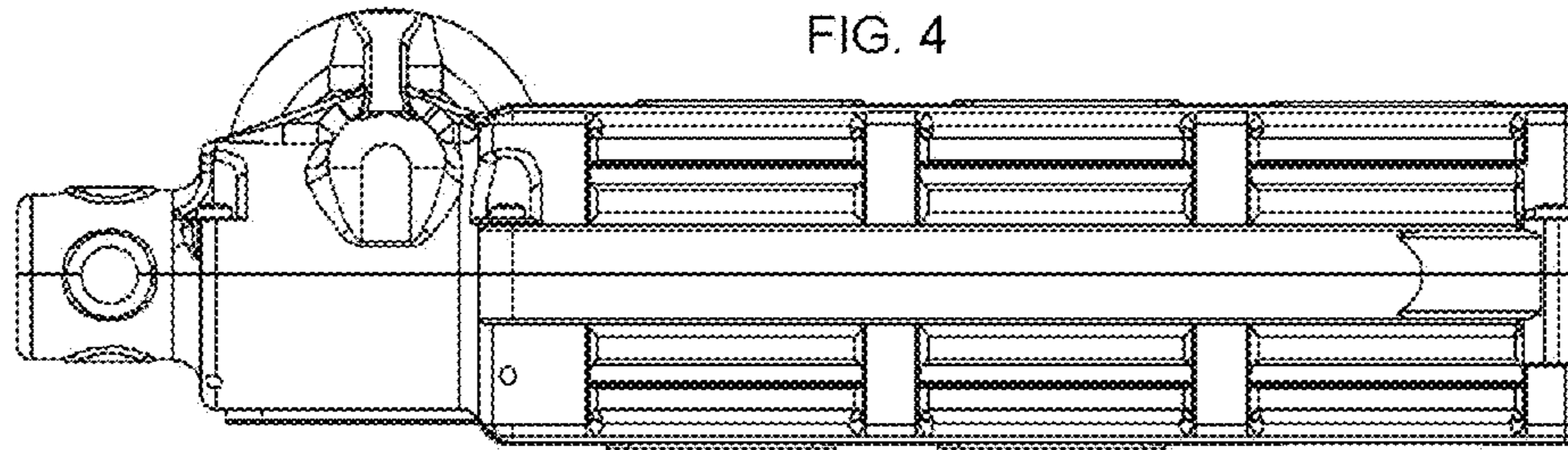


FIG. 2



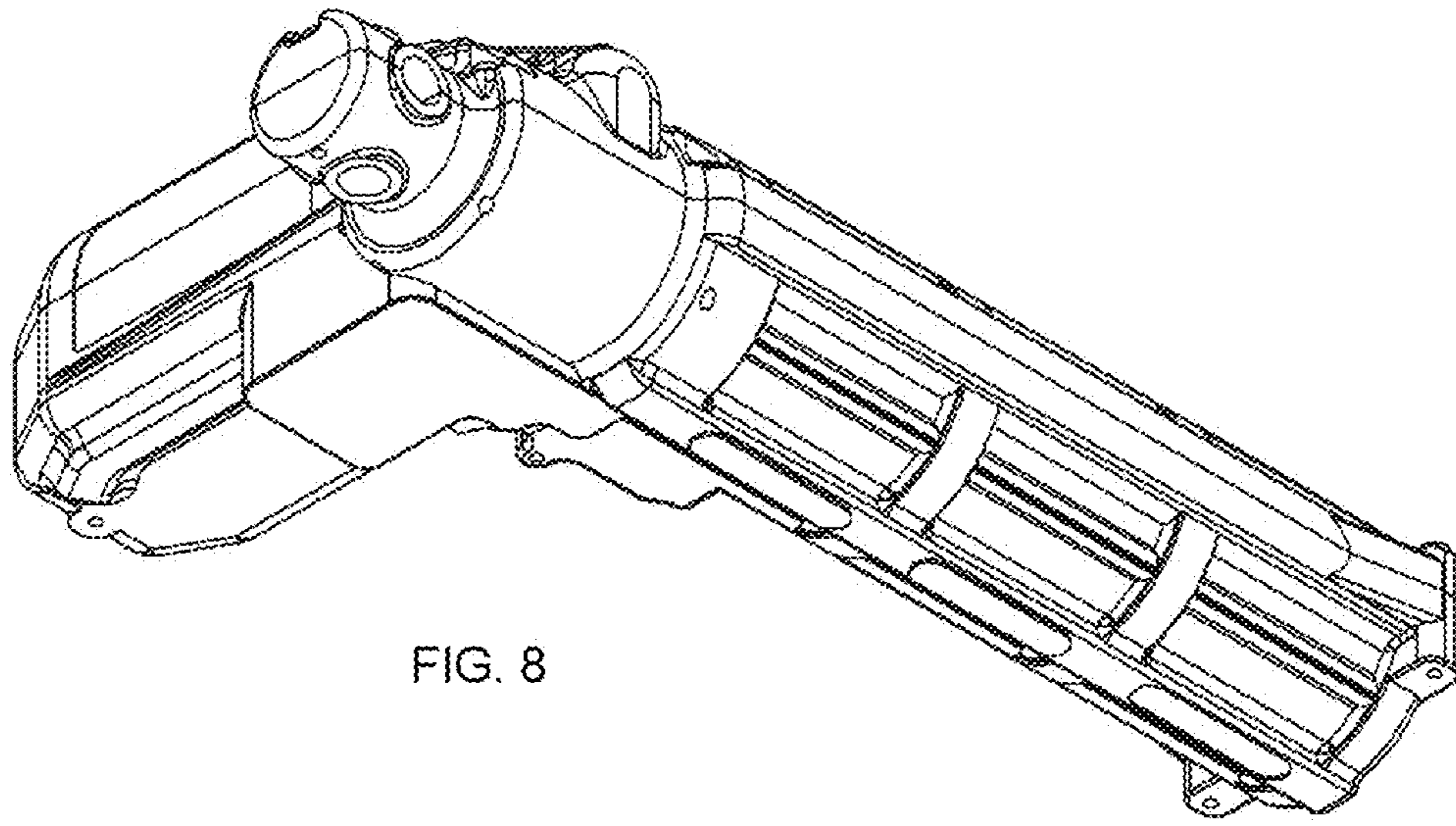


FIG. 8

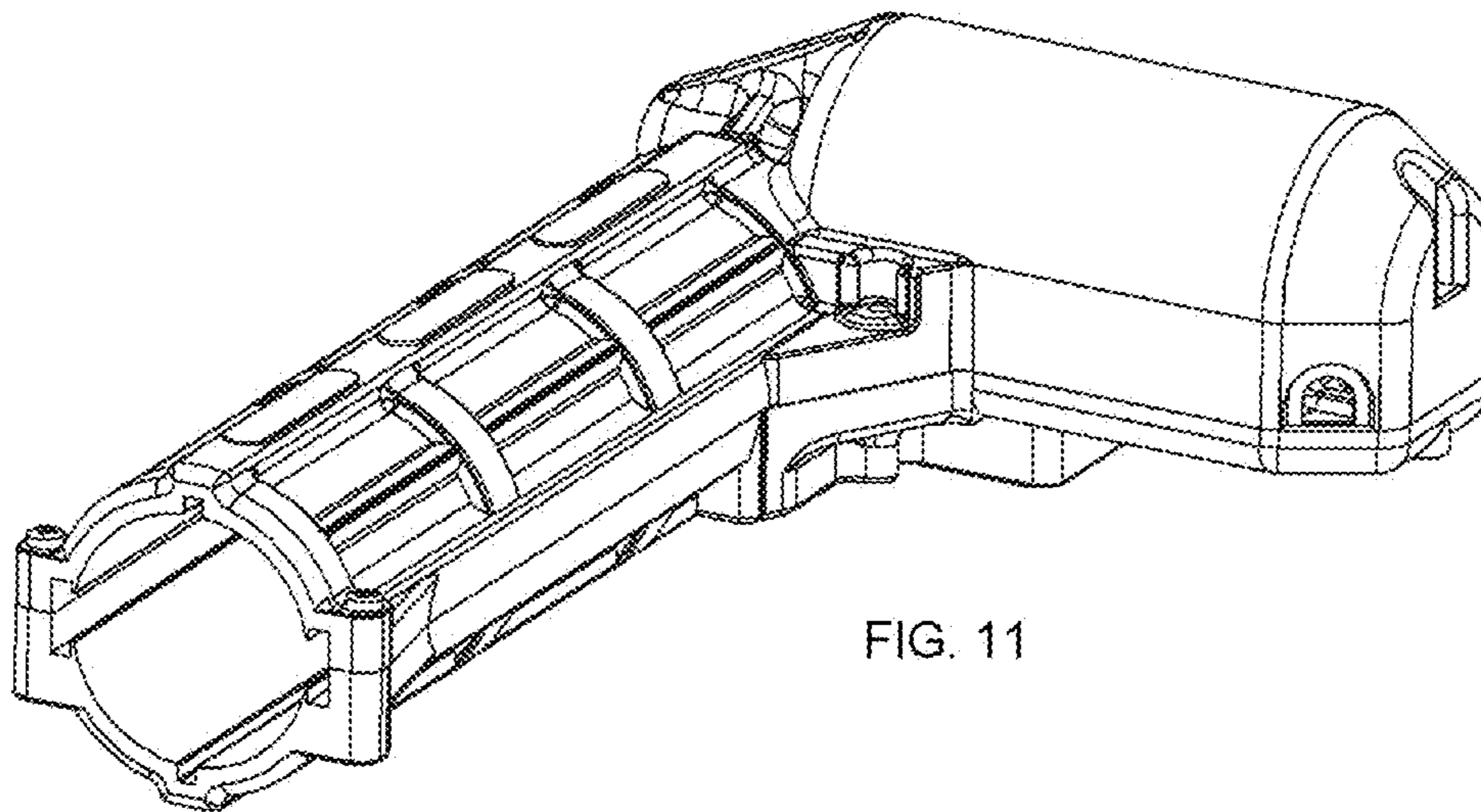
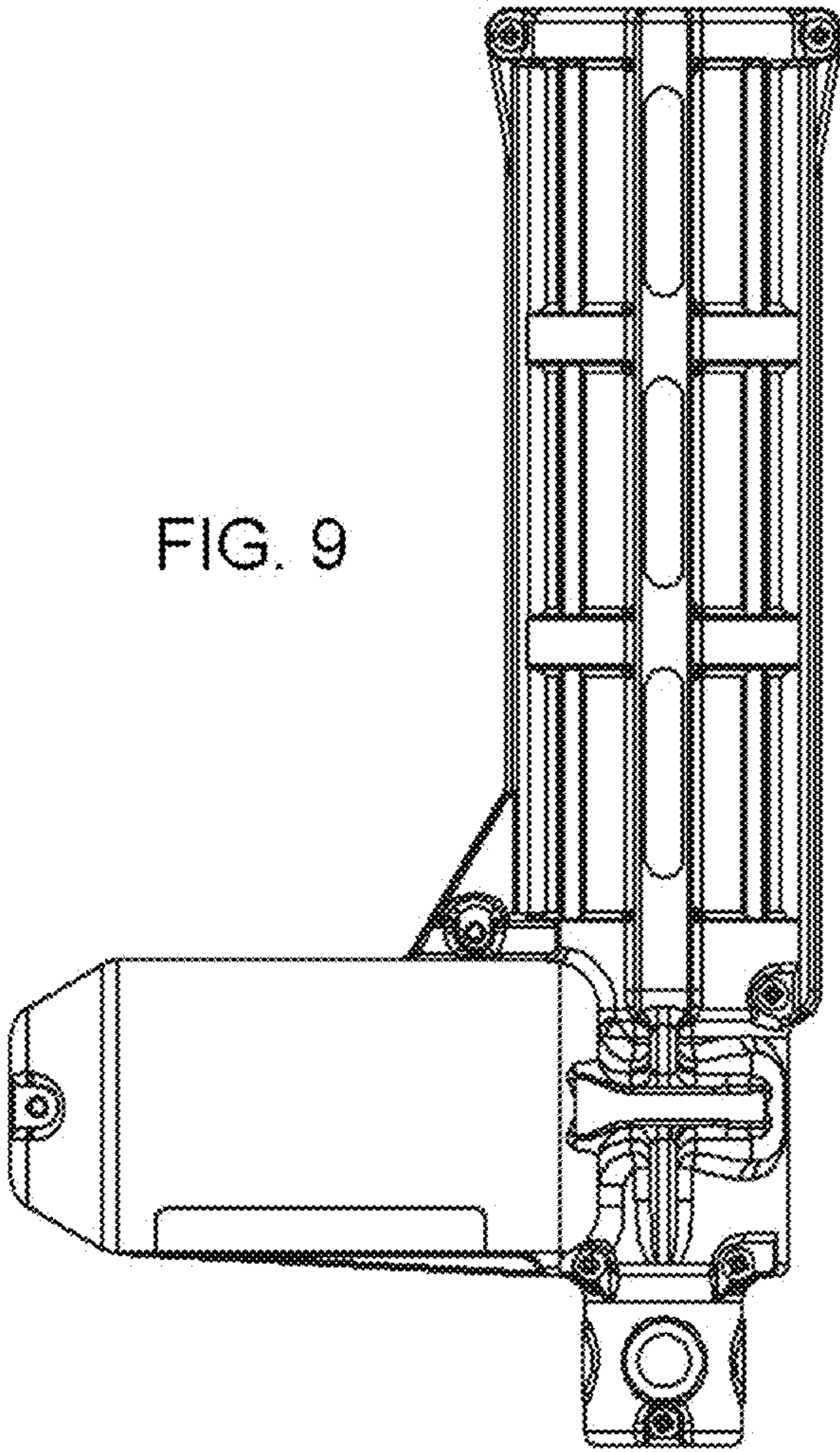


FIG. 11



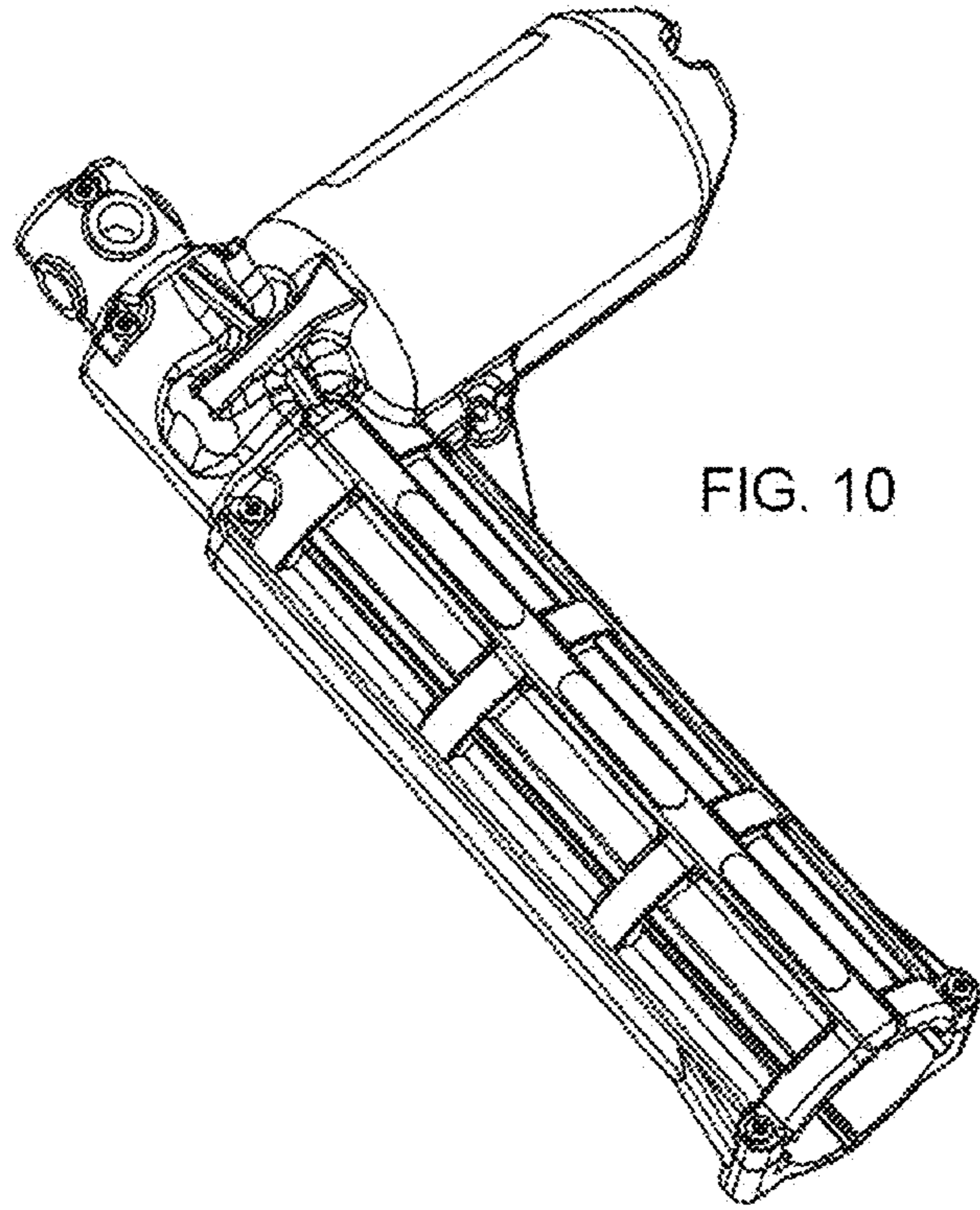


FIG. 10

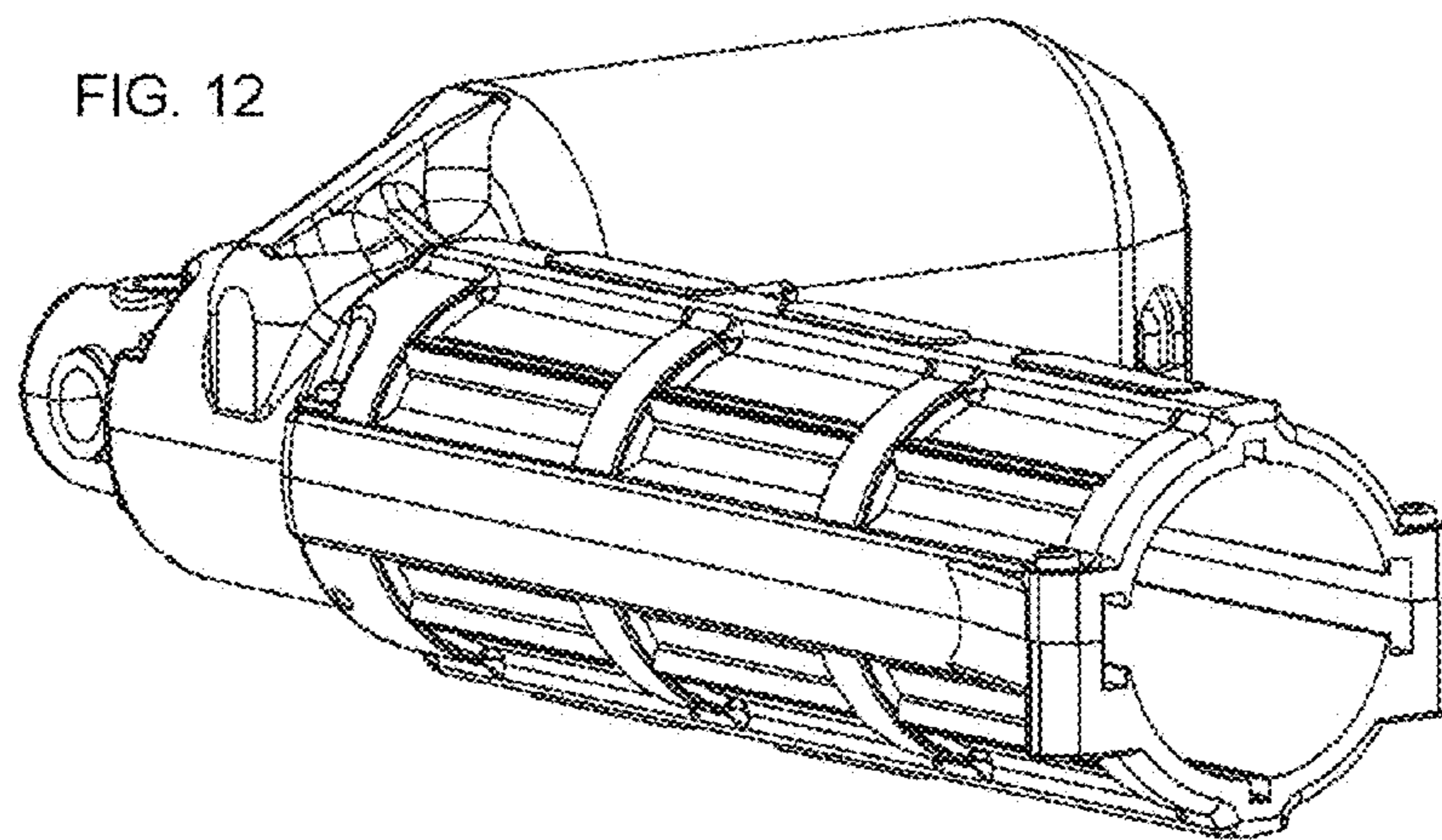


FIG. 12