

US00D696701S

(12) **United States Design Patent**
Johnson

(10) **Patent No.:** **US D696,701 S**

(45) **Date of Patent:** **** *Dec. 31, 2013**

(54) **TRASH COMPACTOR**

(71) Applicant: **Robert E. Johnson**, Madison, TN (US)

(72) Inventor: **Robert E. Johnson**, Madison, TN (US)

(*) Notice: This patent is subject to a terminal disclaimer.

(**) Term: **14 Years**

(21) Appl. No.: **29/445,427**

(22) Filed: **Feb. 12, 2013**

(51) **LOC (9) Cl.** **15-09**

(52) **U.S. Cl.**
USPC **D15/123**

(58) **Field of Classification Search**
USPC D6/429, 430, 432, 436, 438, 439, 445,
D6/446, 448; D15/122, 123, 127, 128,
D15/131, 136; 72/20.1, 21.3, 30.1, 31.01,
72/55, 336, 337, 339, 405.16, 445, 448,
72/452.6, 453.08, 481.1, 603, 628;
83/368, 527, 627, 628, 640; 100/46,
100/100, 102, 137, 207, 208, 214, 231, 232,
100/257, 268, 269.01-269.21, 270-272,
100/282, 291, 292, 348, 902; 312/198, 199,
312/204

See application file for complete search history.

(56) **References Cited**

U.S. PATENT DOCUMENTS

4,050,373	A	*	9/1977	Hellmann	100/240
4,056,053	A	*	11/1977	Akerberg	100/218
D252,573	S	*	8/1979	Weger	D15/123
D256,770	S	*	9/1980	Broyles	D8/14
D286,883	S	*	11/1986	McBee	D15/123
D294,267	S	*	2/1988	Turner, Jr.	D15/123
D386,953	S	*	12/1997	Fiore	D8/14
D636,414	S	*	4/2011	Kanai	D15/123

* cited by examiner

Primary Examiner — Patricia Palasik

(74) *Attorney, Agent, or Firm* — Gary K. Price

(57) **CLAIM**

The ornamental design of a trash compactor, as shown and described.

DESCRIPTION

FIG. 1 is a side view of a trash compactor showing my new design;
FIG. 2 is a front view thereof;
FIG. 3 is a rear view thereof;
FIG. 4 is a top view thereof; and,
FIG. 5 is a bottom view thereof.

1 Claim, 4 Drawing Sheets

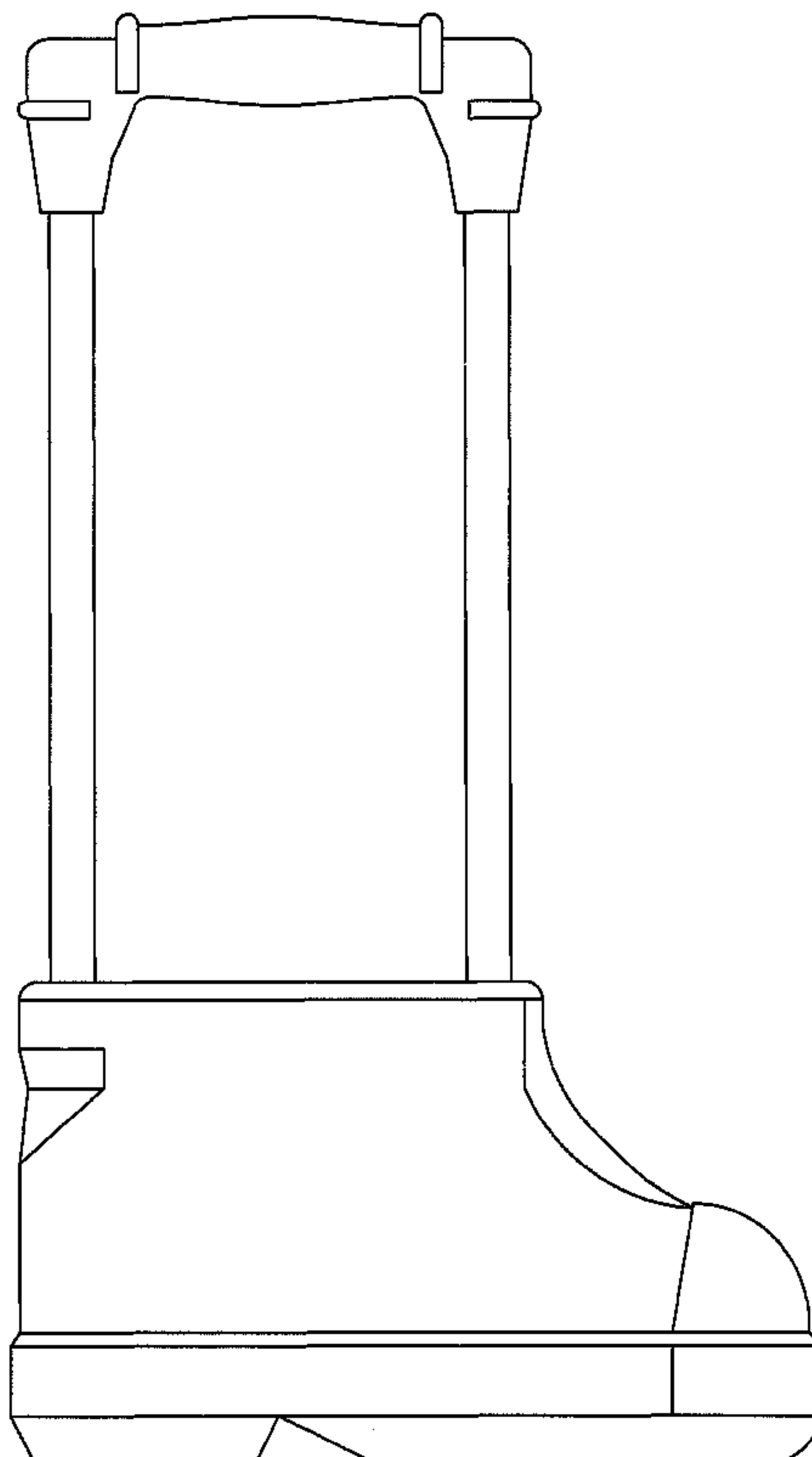


Fig. 1

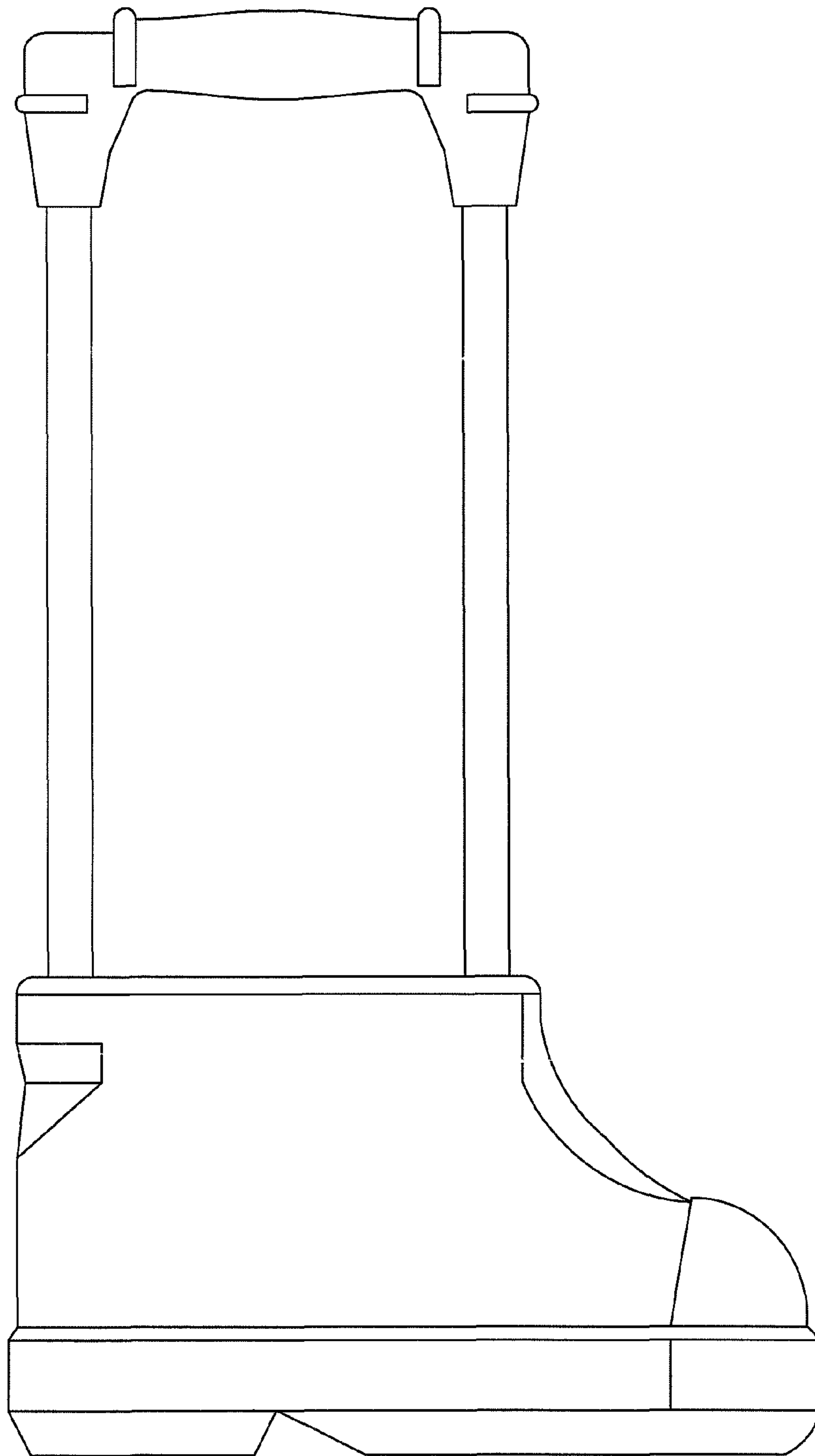


Fig. 2

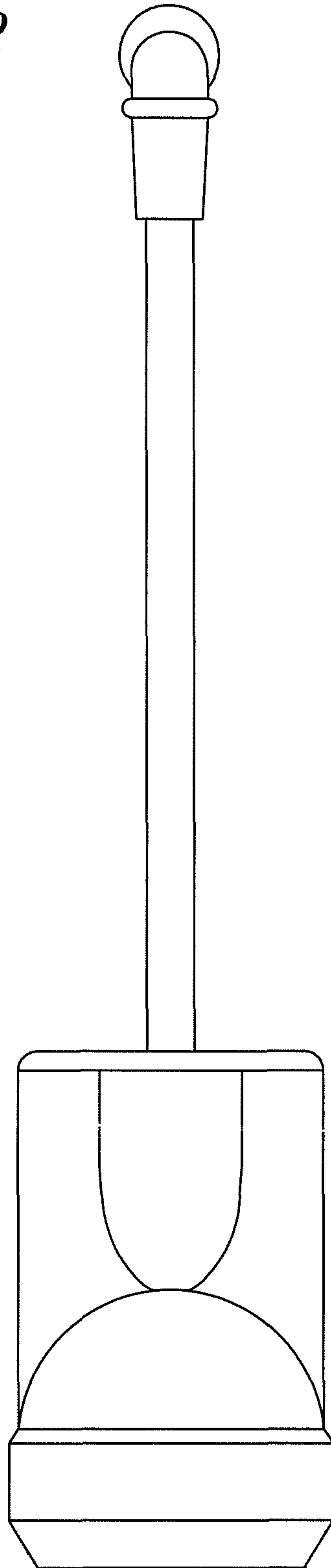


Fig. 3

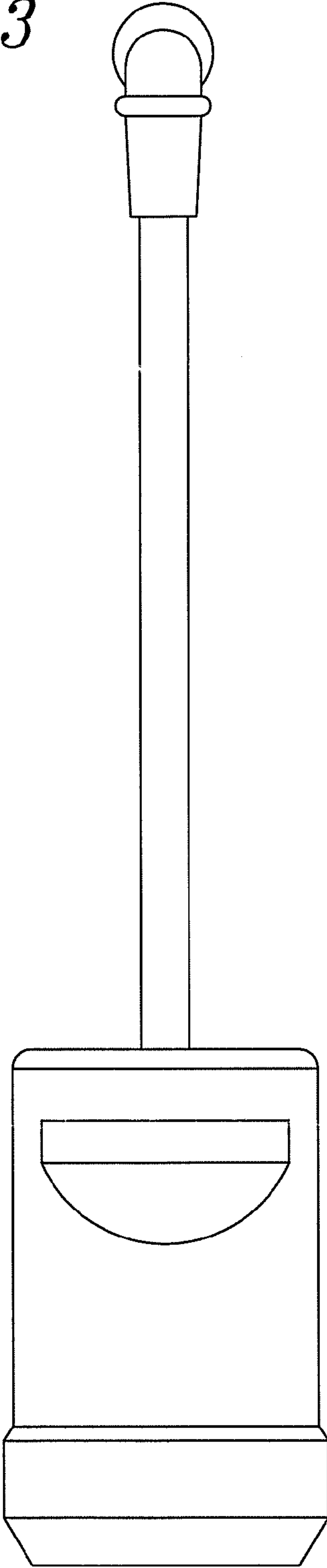


Fig.4

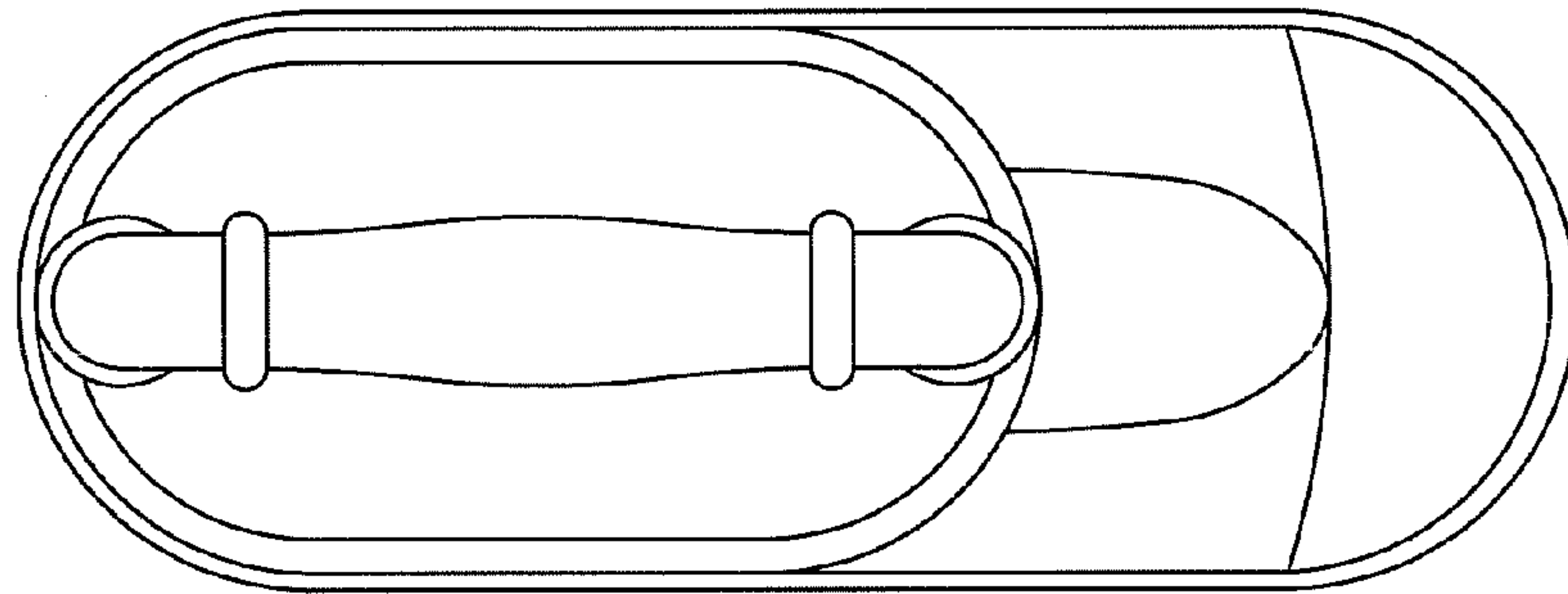


Fig.5

