



US00D696700S

(12) **United States Design Patent**
Seo et al.

(10) **Patent No.:** **US D696,700 S**
(45) **Date of Patent:** **** Dec. 31, 2013**

(54) **REFRIGERATOR**

(75) Inventors: **Woonkyu Seo**, Seoul (KR); **Jungyeon Hwang**, Seoul (KR); **Seonkyu Kim**, Seoul (KR); **Seungjin Yoon**, Gyeonggi-do (KR); **Daesung Lee**, Gyeonggi-do (KR)

(73) Assignee: **LG Electronics Inc.**, Seoul (KR)

(**) Term: **14 Years**

(21) Appl. No.: **29/426,970**

(22) Filed: **Jul. 12, 2012**

(30) **Foreign Application Priority Data**

Jan. 13, 2012 (KR) 30-2012-0001980

(51) **LOC (9) Cl.** **15-07**

(52) **U.S. Cl.**
USPC **D15/86**

(58) **Field of Classification Search**
USPC D15/79-91; 62/3.6, 3.63, 3.64, 293,
62/331, 371, 440-445, 467; 312/112-119,
312/236, 400-408, 138.1
See application file for complete search history.

(56) **References Cited**

U.S. PATENT DOCUMENTS

D210,560 S *	3/1968	Kennedy et al.	D15/86
D452,255 S *	12/2001	Chai et al.	D15/85
D495,719 S *	9/2004	Kirchner et al.	D15/86
D508,059 S *	8/2005	Seok et al.	D15/86
D508,249 S *	8/2005	Seok et al.	D15/86
D508,925 S *	8/2005	Seok et al.	D15/86
D508,926 S *	8/2005	Seok et al.	D15/86

D522,540 S *	6/2006	Cho et al.	D15/86
D540,833 S *	4/2007	Wang et al.	D15/86
D556,223 S *	11/2007	Wang et al.	D15/86
D557,292 S *	12/2007	Lee et al.	D15/86
D570,884 S *	6/2008	Yang et al.	D15/86
D614,208 S *	4/2010	Seo et al.	D15/86
D630,232 S *	1/2011	Seo et al.	D15/85
D632,314 S *	2/2011	Kristiansen et al.	D15/86
D639,316 S *	6/2011	Roberson et al.	D15/86
D639,828 S *	6/2011	Yang et al.	D15/86
D656,968 S *	4/2012	Hwang et al.	D15/86
D657,402 S *	4/2012	Hwang et al.	D15/86
D657,403 S *	4/2012	Hwang et al.	D15/86
D674,416 S *	1/2013	Seo et al.	D15/86

* cited by examiner

Primary Examiner — Mitchell Siegel

(74) *Attorney, Agent, or Firm* — Birch, Stewart, Kolasch & Birch, LLP

(57) **CLAIM**

The ornamental design for a refrigerator, as shown and described.

DESCRIPTION

FIG. 1 is a perspective view of a refrigerator showing our new design;

FIG. 2 is a front view thereof;

FIG. 3 is a rear view thereof;

FIG. 4 is a left side view thereof;

FIG. 5 is a right side view thereof;

FIG. 6 is a top plan view thereof;

FIG. 7 is a bottom plan view thereof; and,

FIG. 8 is a perspective view thereof; the right side outer door shown in an alternate position.

The broken line showing is included for the purpose of illustrating and forms no part of the claimed design.

1 Claim, 7 Drawing Sheets

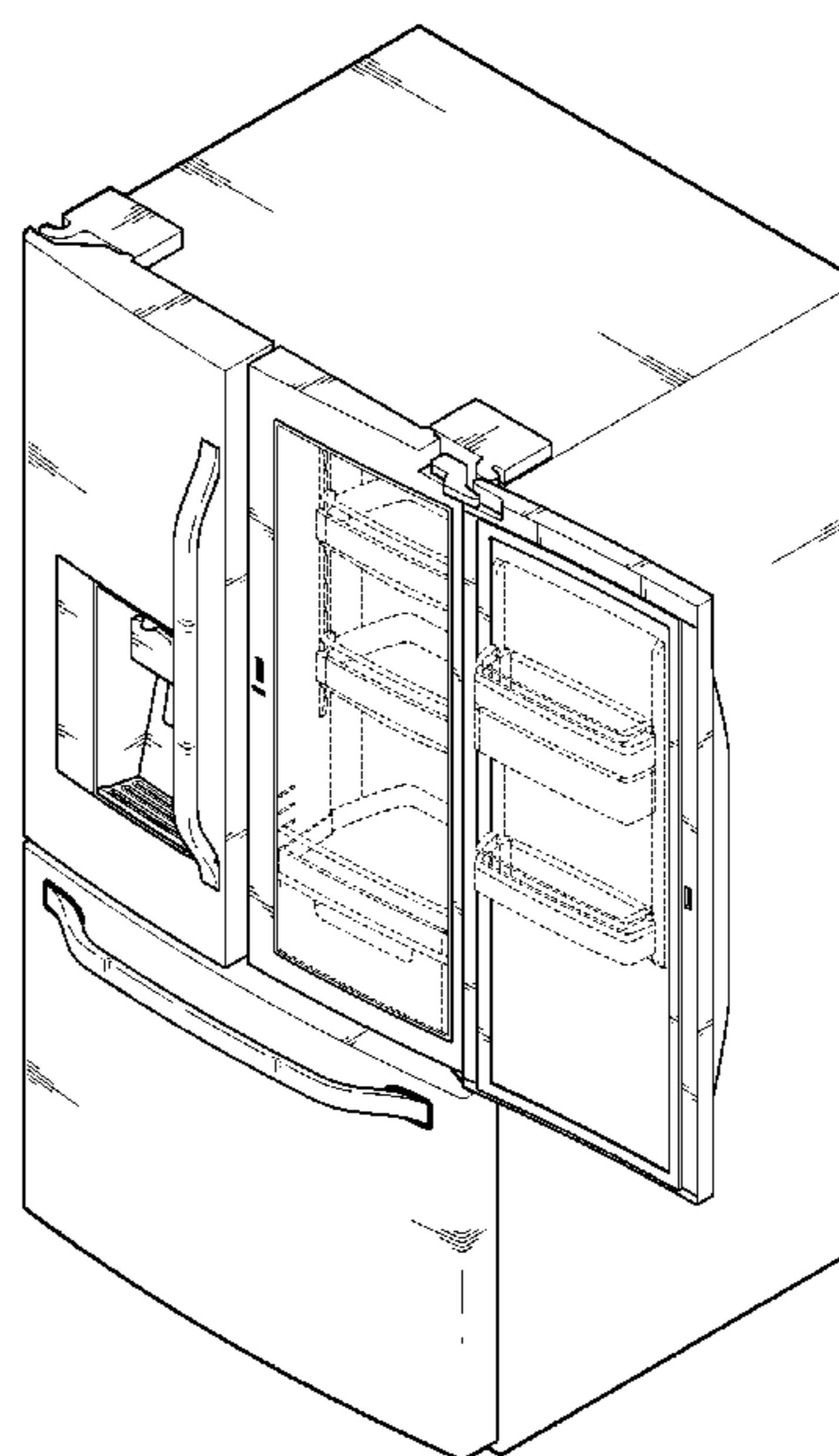
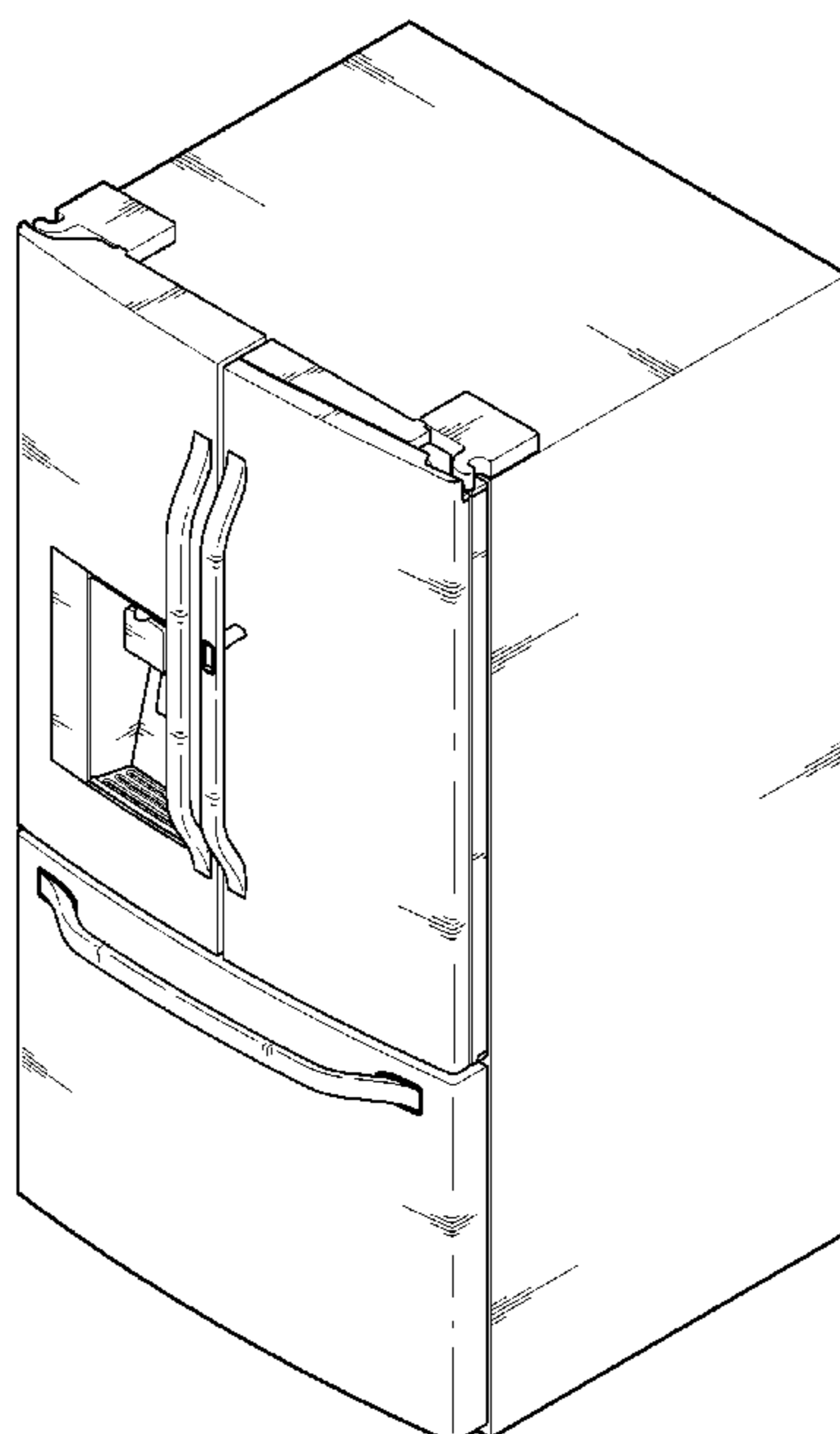


FIG. 1

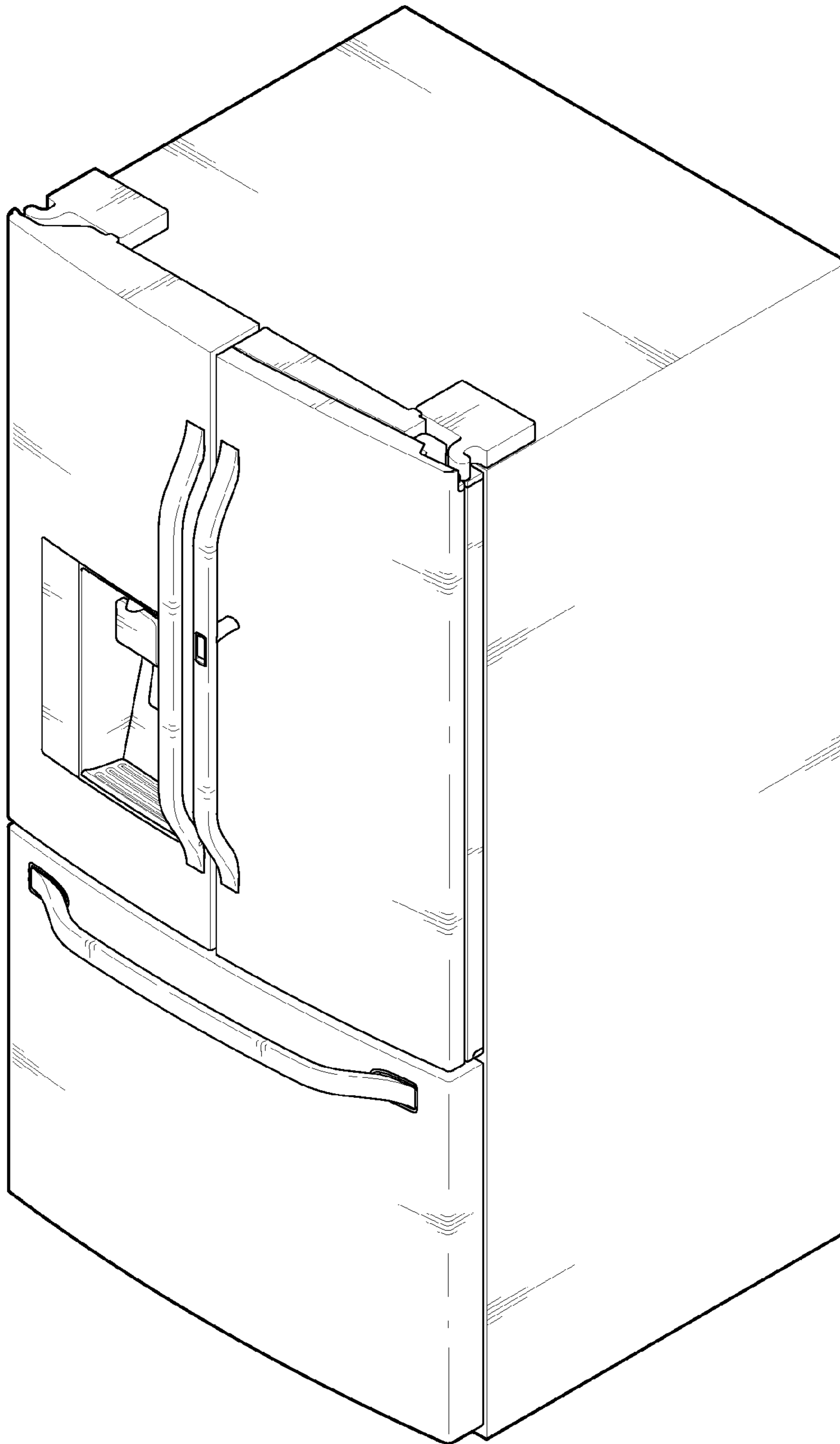


FIG. 2

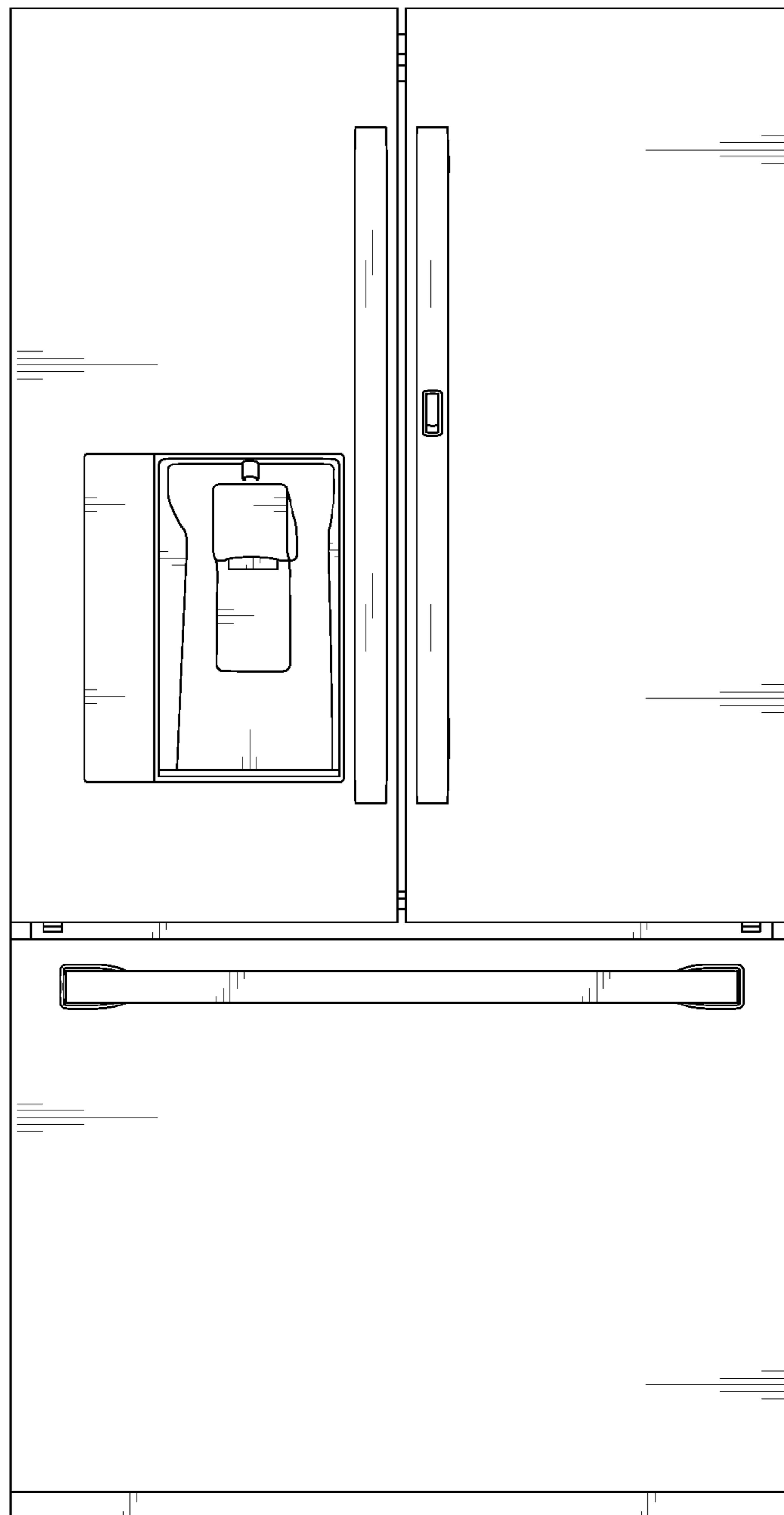


FIG. 3

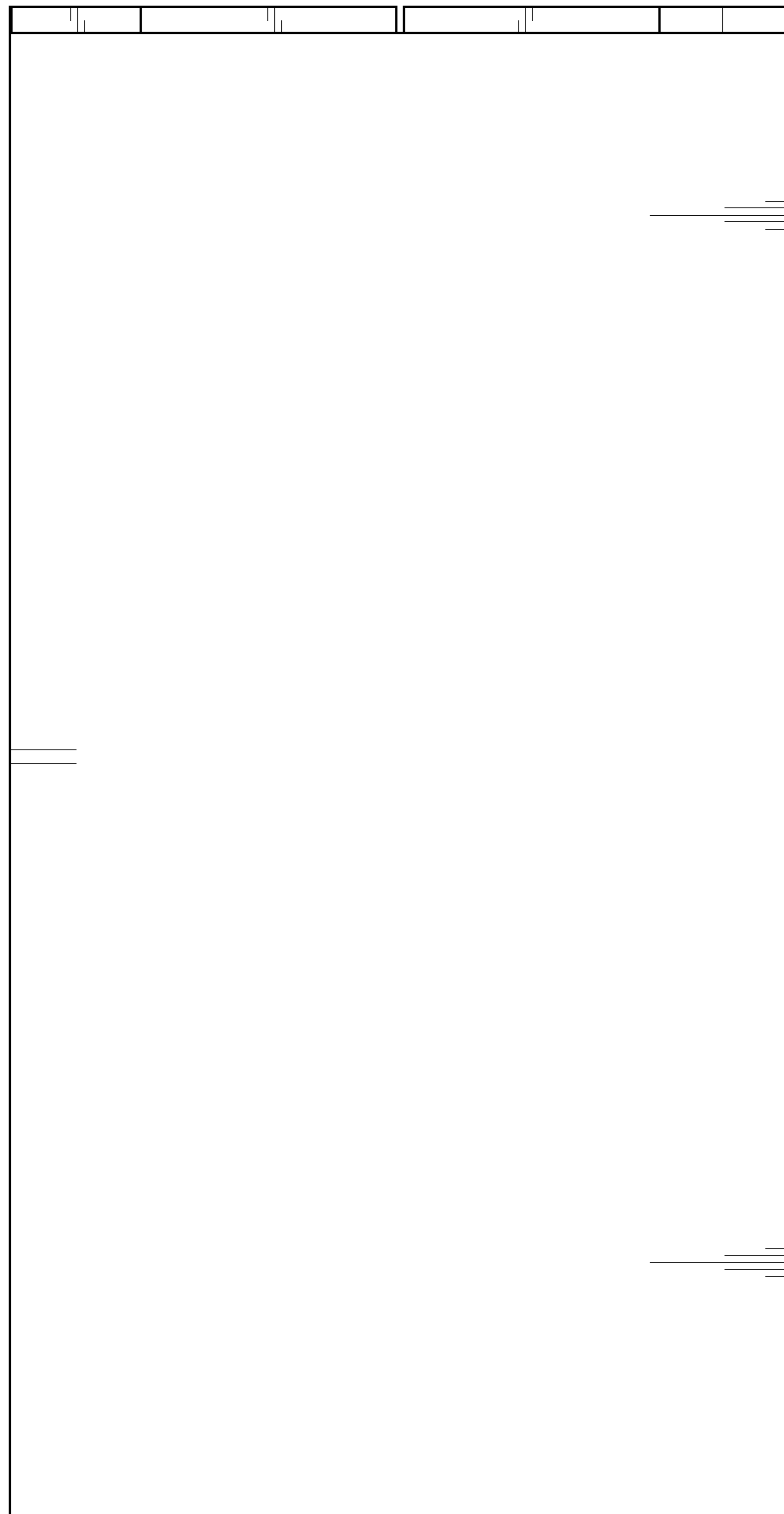


FIG. 4

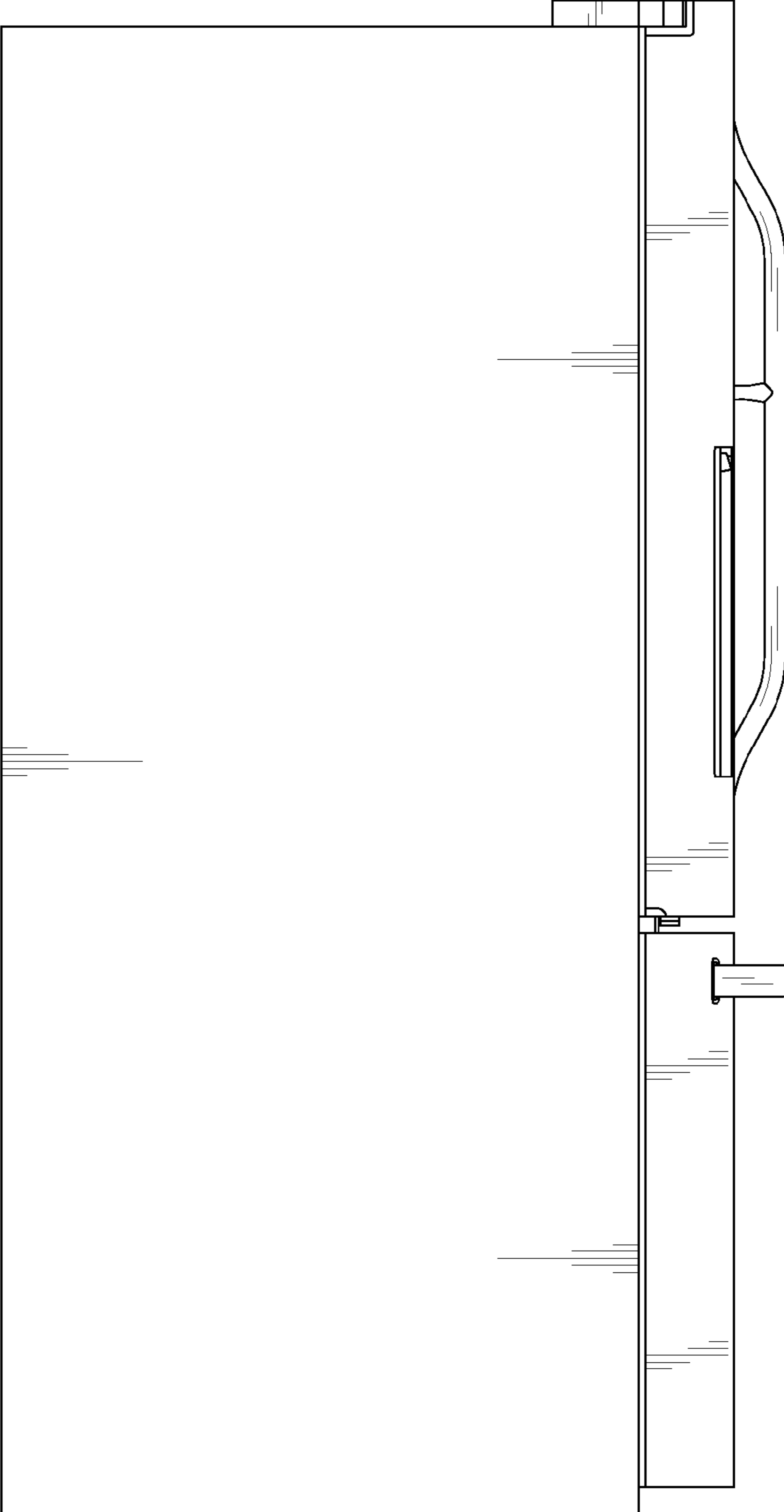


FIG. 5

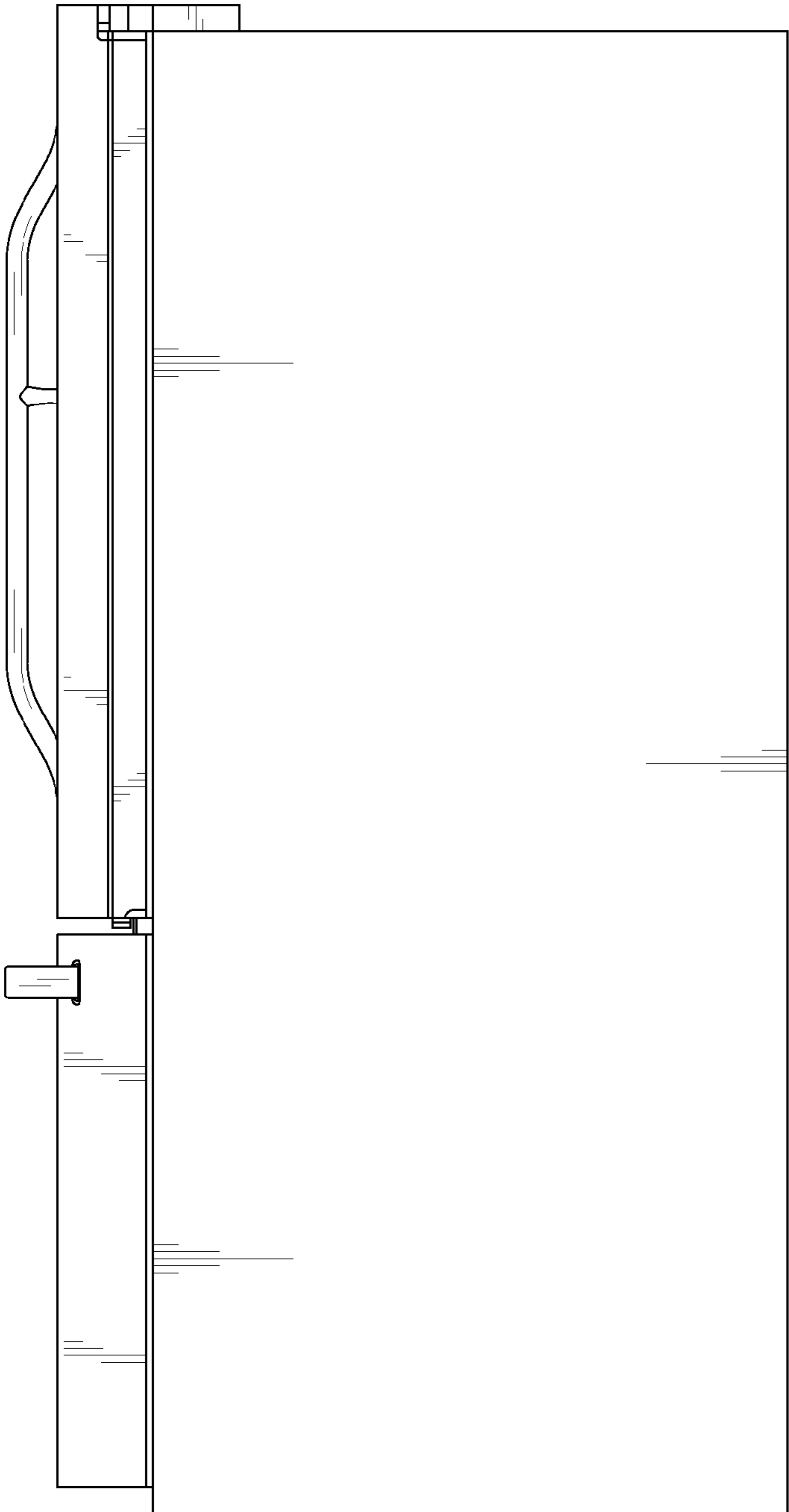


FIG. 6

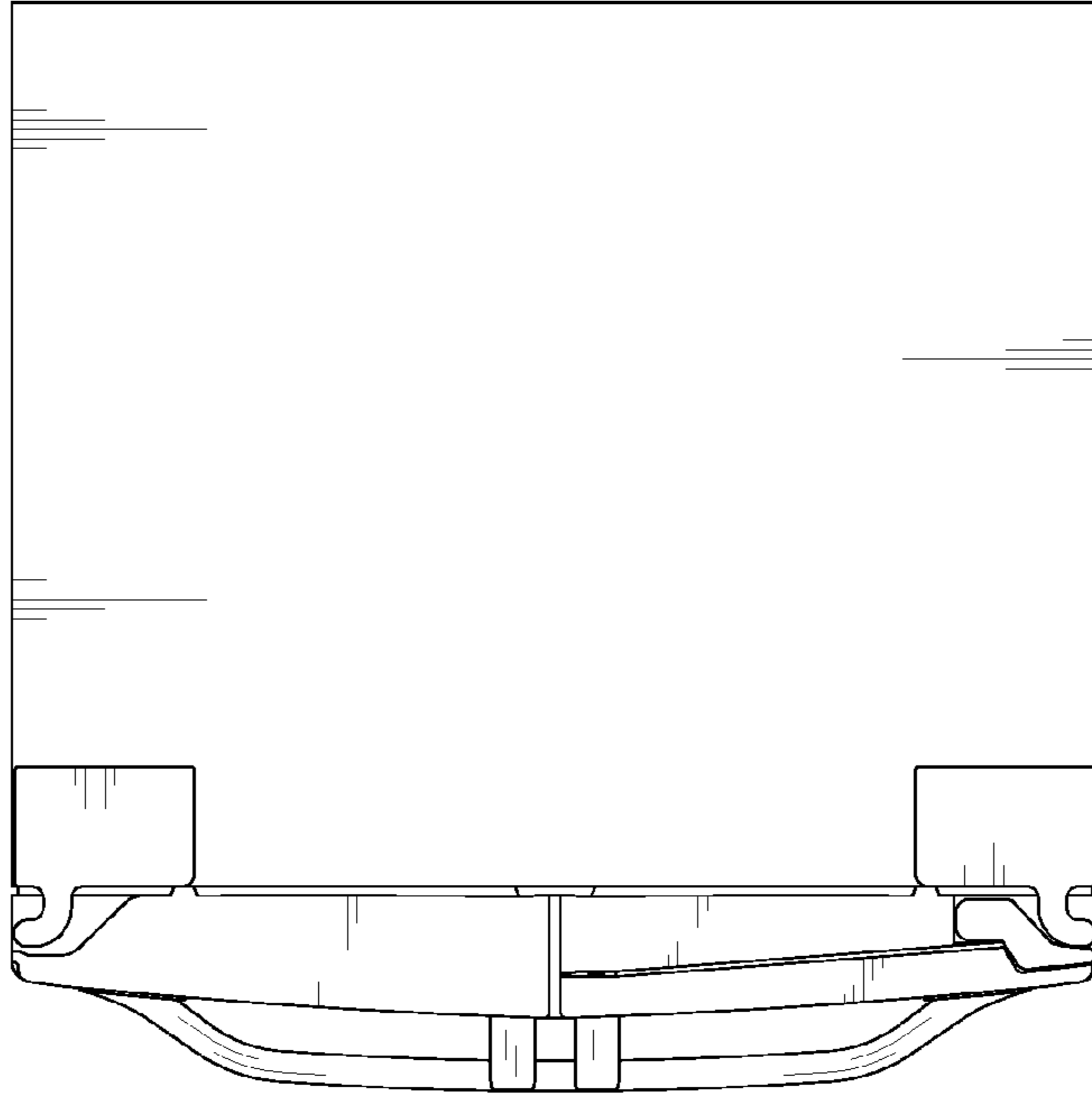


FIG. 7

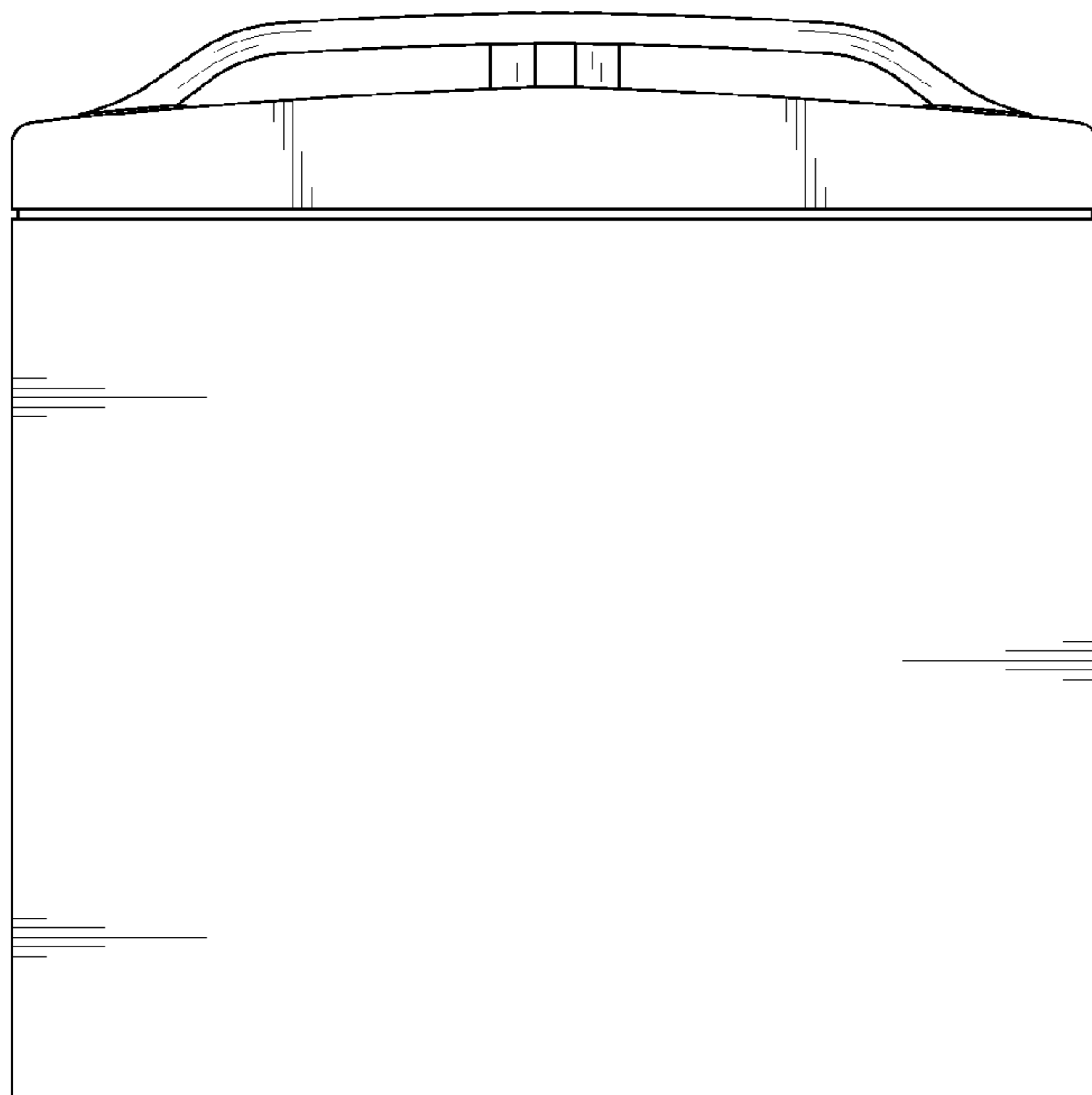


FIG. 8

