



US00D696699S

(12) **United States Design Patent**
Kopacz et al.

(10) **Patent No.:** **US D696,699 S**

(45) **Date of Patent:** **** Dec. 31, 2013**

(54) **SET OF SCREED PLATES**

(71) Applicant: **Caterpillar Inc.**, Peoria, IL (US)

(72) Inventors: **Jason W. Kopacz**, St. Louis Park, MN (US); **Tobin D. Rasmusson**, Bloomington, MN (US)

(73) Assignee: **Caterpillar Paving Products Inc.**, Minneapolis, MN (US)

(**) Term: **14 Years**

(21) Appl. No.: **29/452,260**

(22) Filed: **Apr. 15, 2013**

(51) **LOC (9) Cl.** **15-03**

(52) **U.S. Cl.**
USPC **D15/32; D15/28**

(58) **Field of Classification Search**
USPC D15/10, 13, 19, 22-26, 28, 32, 20;
404/110, 101, 108, 75, 102, 118,
404/84.08, 105, 113, 114, 133.05, 133.1,
404/133.2, 96, 119; 405/271
See application file for complete search history.

(56) **References Cited**

U.S. PATENT DOCUMENTS

3,673,930	A *	7/1972	Birtchet	404/118
D302,432	S *	7/1989	Rabitsch	D15/28
4,865,487	A *	9/1989	Lutz	404/118
D314,778	S *	2/1991	Rabitsch	D15/28
5,222,829	A *	6/1993	Mogler et al.	404/118
5,348,418	A *	9/1994	Campbell	404/103
5,366,320	A *	11/1994	Hanlon et al.	404/118
5,397,199	A *	3/1995	Frampton et al.	404/118
6,074,129	A *	6/2000	Nowak et al.	404/96

(Continued)

Primary Examiner — Mark Goodwin

(74) *Attorney, Agent, or Firm* — Finnegan, Henderson, Farabow, Garrett & Dunner LLP

(57) **CLAIM**

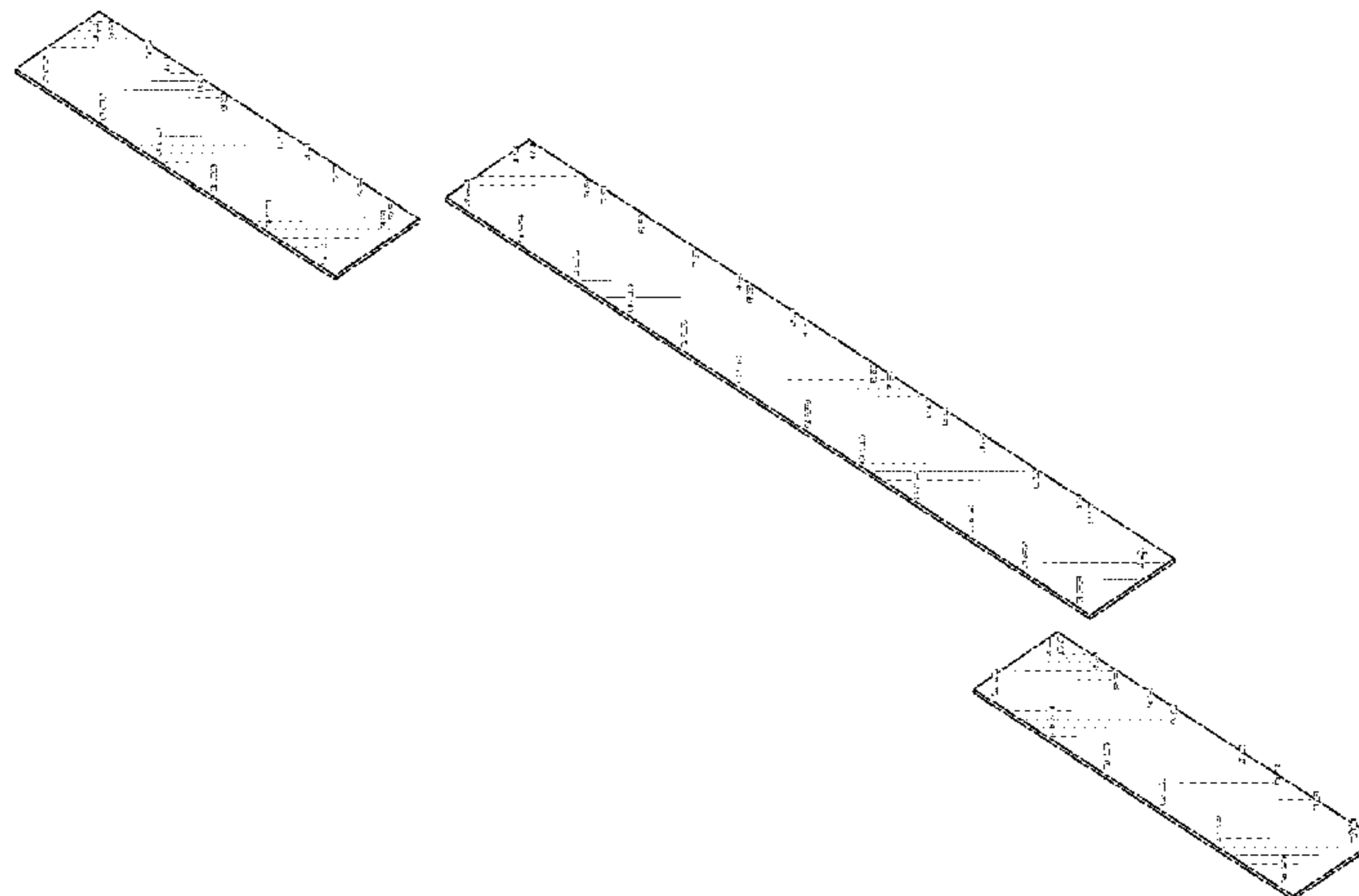
The ornamental design for a set of screed plates, as shown and described.

DESCRIPTION

FIG. 1 is a rear top perspective view of a set of screed plates, containing a left extender screed plate, a main screed plate, and a right extender screed plate, showing our new design; FIG. 2 is an enlarged rear top perspective view of the screed plate bar of FIG. 1; FIG. 3 is an enlarged top view thereof; FIG. 4 is an enlarged bottom view thereof; FIG. 5 is an enlarged front view thereof; FIG. 6 is an enlarged rear view thereof; FIG. 7 is an enlarged right side view thereof; FIG. 8 is an enlarged left side view thereof; FIG. 9 is an enlarged rear top perspective view of the left extender screed plate of FIG. 1, the right extender screed plate being a mirror image thereof; FIG. 10 is an enlarged top view of the left extender screed plate, the right extender screed plate being a mirror image thereof; FIG. 11 is an enlarged bottom view of the left extender screed plate, the right extender screed plate being a mirror image thereof; FIG. 12 is an enlarged rear view of the left extender screed plate, the right extender screed plate being a mirror image thereof; FIG. 13 is an enlarged front view of the left extender screed plate, the right extender screed plate being a mirror image thereof; FIG. 14 is an enlarged left side view of the left extender screed plate, the right extender screed plate being a mirror image thereof; and, FIG. 15 is an enlarged right side view of the left extender screed plate, the right extender screed plate being a mirror image thereof.

The portions depicted in broken lines of even length are environment and form no part of the claimed design.

1 Claim, 9 Drawing Sheets



(56)

References Cited

U.S. PATENT DOCUMENTS

RE36,981	E *	12/2000	Birtchet	404/71	2005/0253041	A1 *	11/2005	Hensley et al.	249/33
6,318,928	B1 *	11/2001	Swearingen	404/72	2006/0034658	A1 *	2/2006	Heims	404/114
6,890,125	B1 *	5/2005	Calder et al.	404/104	2006/0045624	A1 *	3/2006	Nelson	404/95
7,540,686	B2 *	6/2009	Heims	404/102	2006/0120801	A1 *	6/2006	Johnson	404/118
7,651,295	B2 *	1/2010	Eppes et al.	404/84.05	2009/0304446	A1 *	12/2009	Pikuet	404/133.05
8,157,474	B2 *	4/2012	Mahler et al.	404/95	2010/0310312	A1 *	12/2010	Mahler et al.	404/95
2002/0106244	A1 *	8/2002	Baker	404/118	2011/0002738	A1 *	1/2011	Mahler et al.	404/118
					2011/0123269	A1 *	5/2011	Lutz	404/118
					2013/0142571	A1 *	6/2013	Graham et al.	404/118

* cited by examiner

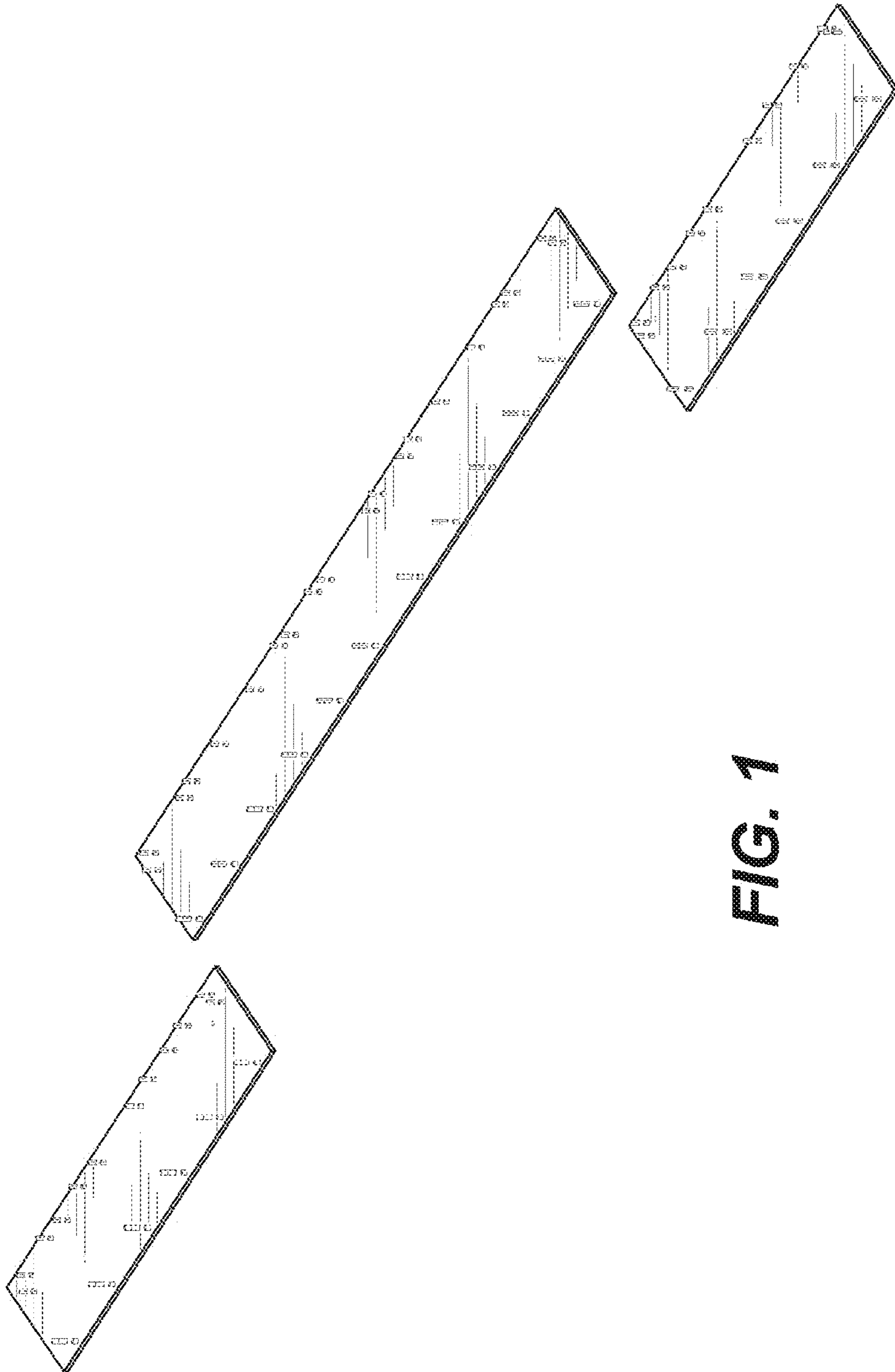


FIG. 1

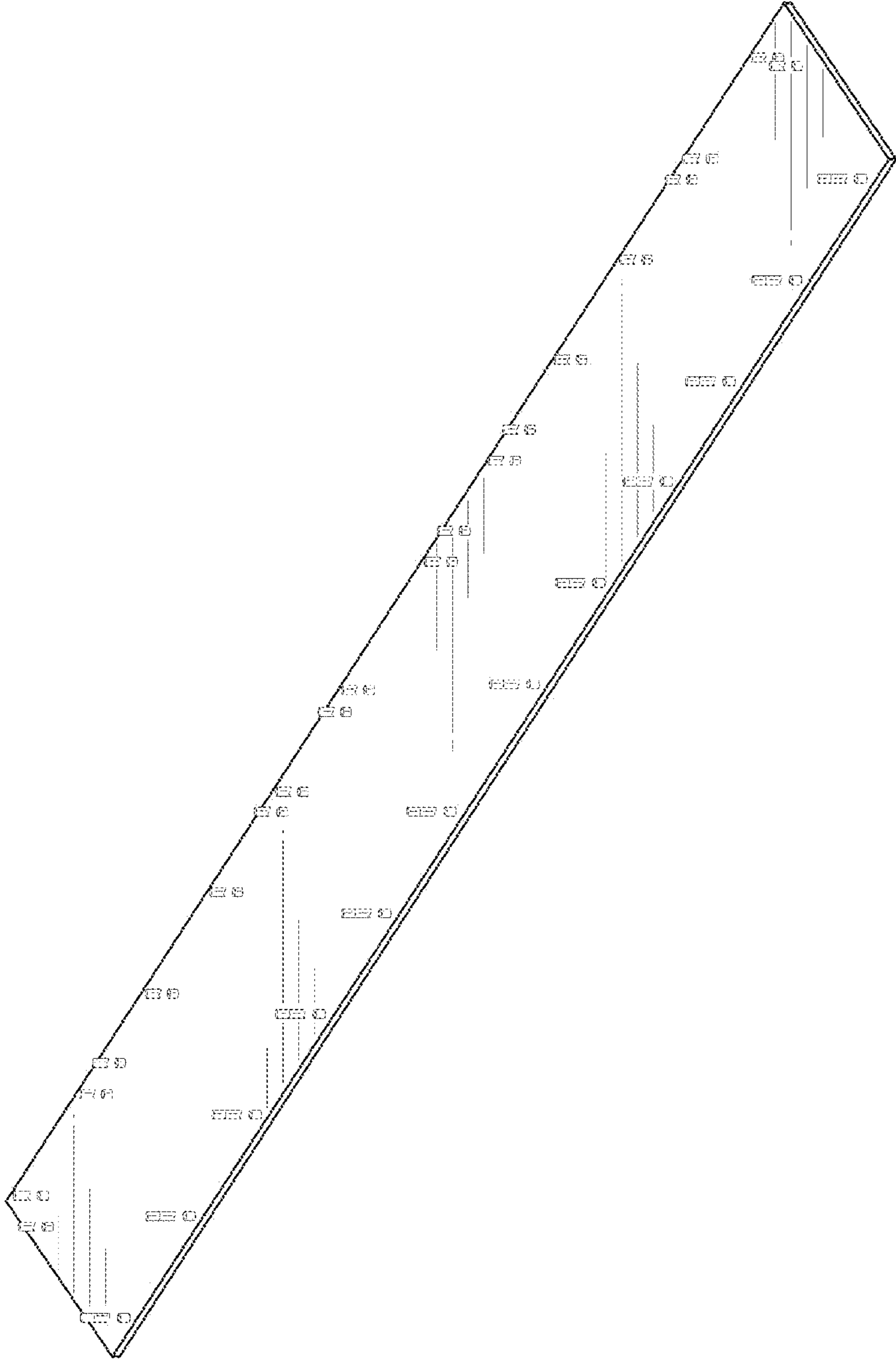


FIG. 2

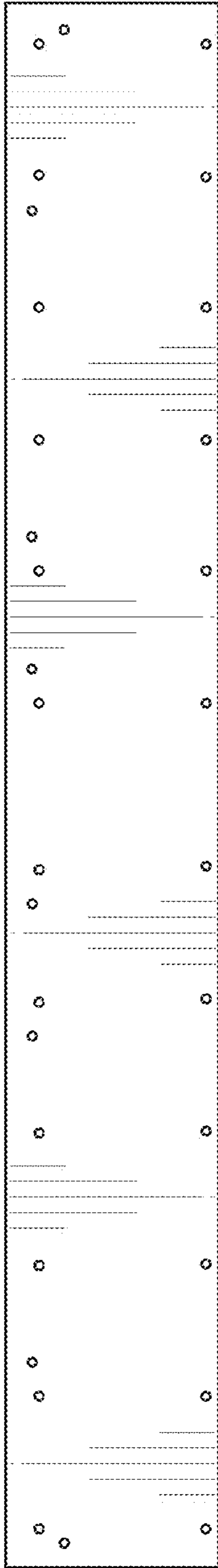


FIG. 3

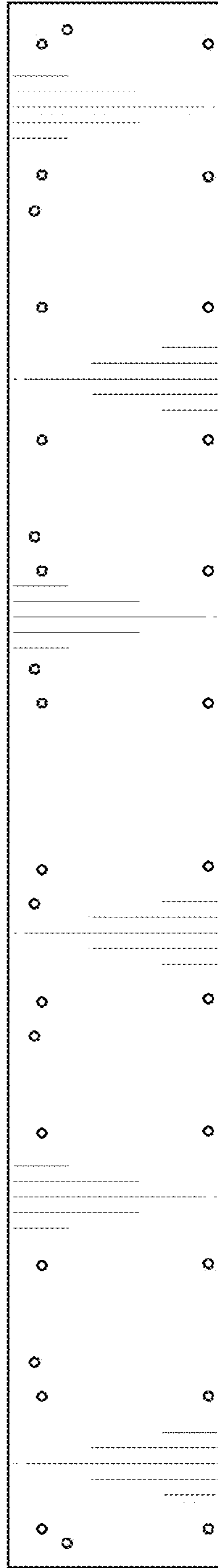


FIG. 4



FIG. 5



FIG. 6



FIG. 7



FIG. 8

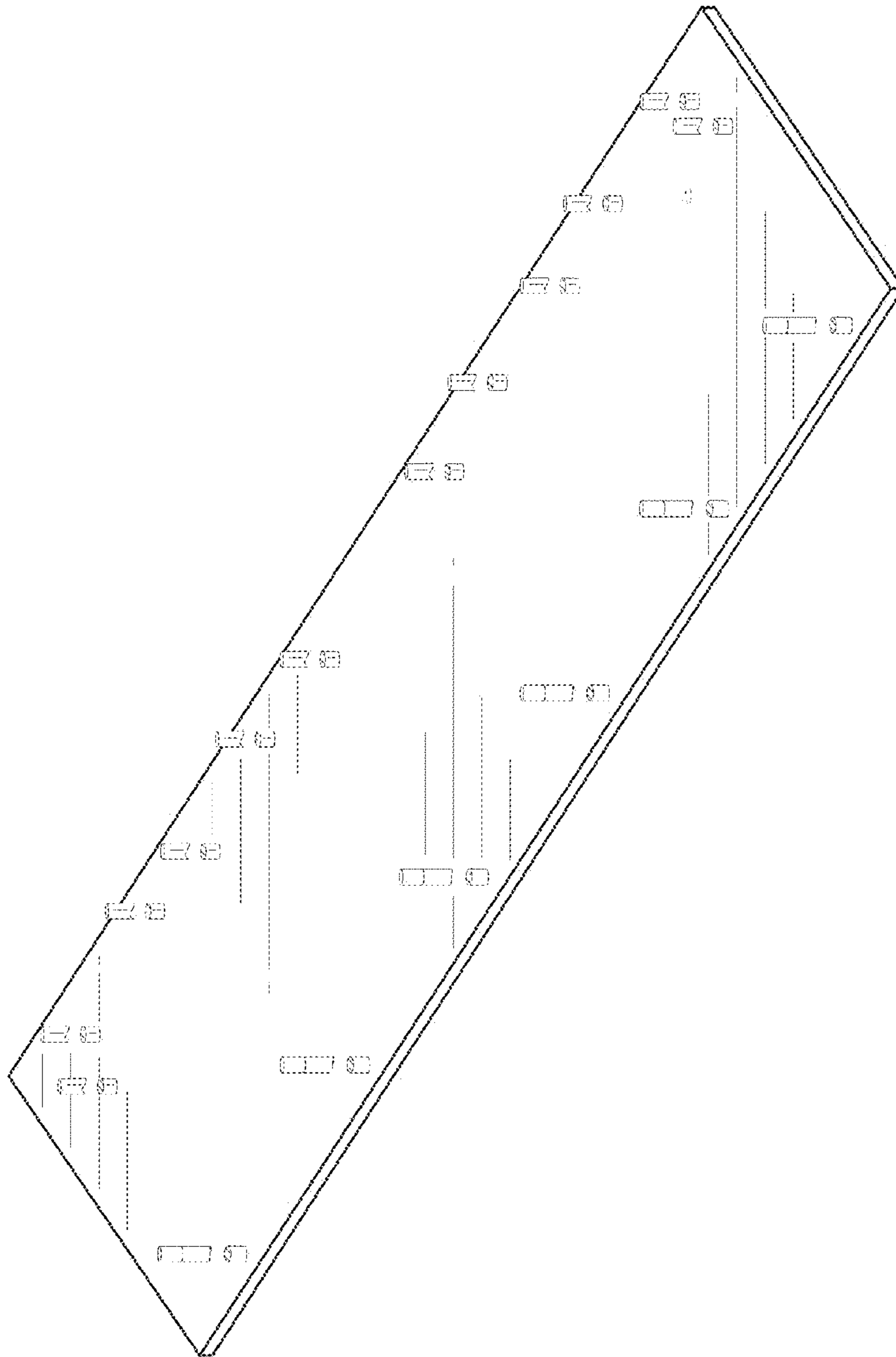


FIG. 9

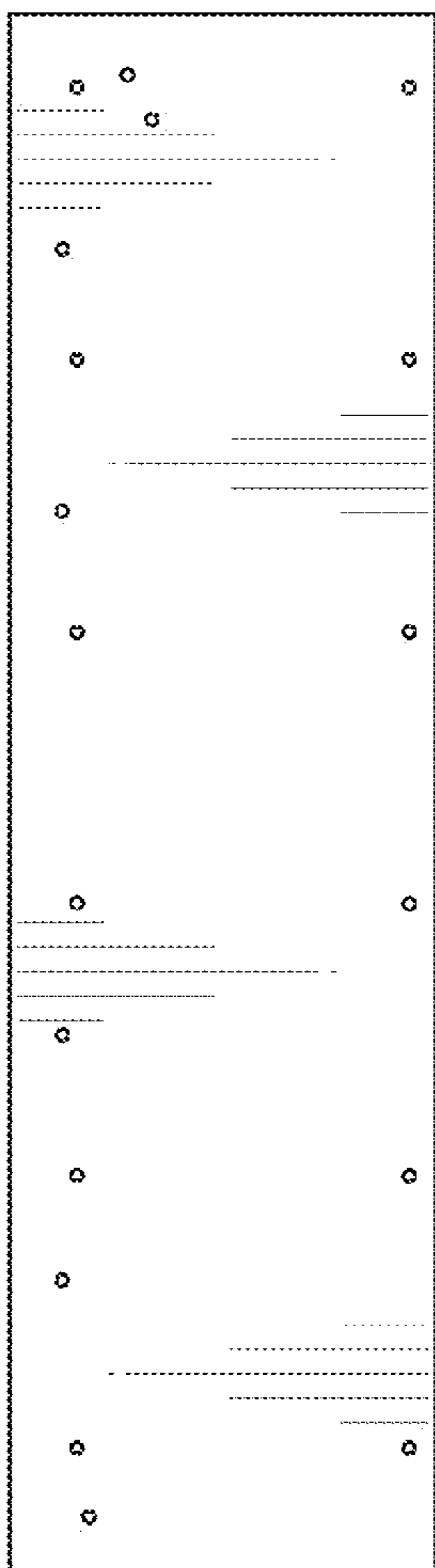


FIG. 10

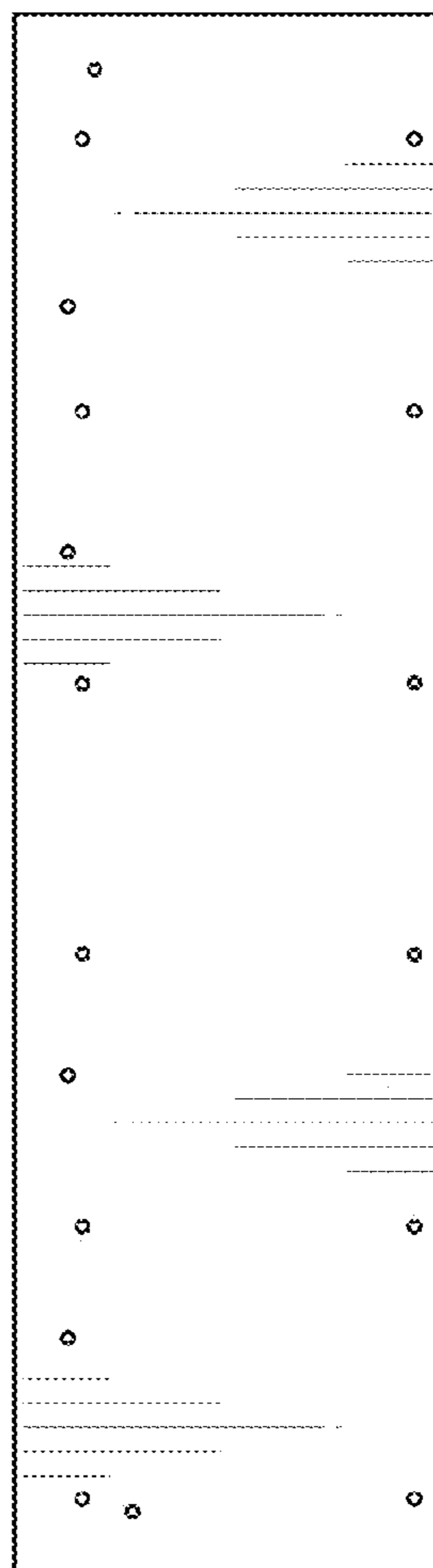


FIG. 11



FIG. 12



FIG. 13



FIG. 14



FIG. 15