

US00D696698S

(12) **United States Design Patent**
Clendenning

(10) **Patent No.:** **US D696,698 S**

(45) **Date of Patent:** **** Dec. 31, 2013**

(54) **WEDGE KEY**

(71) Applicant: **Charles Clendenning**, Broken Arrow, OK (US)

(72) Inventor: **Charles Clendenning**, Broken Arrow, OK (US)

(73) Assignee: **H&L Tooth Company**, Tulsa, OK (US)

(**) Term: **14 Years**

(21) Appl. No.: **29/442,121**

(22) Filed: **Dec. 11, 2012**

(51) **LOC (9) Cl.** **15-03**

(52) **U.S. Cl.**
USPC **D15/28**

(58) **Field of Classification Search**
USPC D15/28, 29; 37/450, 452-458; 403/298, 403/318, 374.1, 379.4, 374.3, 374.4, 373; 172/722, 717, 772, 772.5

See application file for complete search history.

(56) **References Cited**

U.S. PATENT DOCUMENTS

5,134,793	A *	8/1992	Bierwith	37/458
5,417,518	A *	5/1995	Bierwith	403/374.2
D420,014	S *	2/2000	Karlsson	D15/29
6,032,390	A	3/2000	Bierwith	
7,832,129	B2 *	11/2010	Briscoe	37/455
8,312,650	B2 *	11/2012	McClanahan et al.	37/452
8,356,432	B2 *	1/2013	Carpenter	37/452
8,458,931	B2 *	6/2013	Knight	37/456
8,464,444	B2 *	6/2013	Bierwith	37/457

8,468,725	B2 *	6/2013	Leslie et al.	37/456
2003/0140531	A1 *	7/2003	Pippins	37/456
2004/0221491	A1 *	11/2004	Briscoe	37/452
2006/0010726	A1 *	1/2006	Emrich et al.	37/456
2007/0193075	A1 *	8/2007	Carpenter	37/452
2007/0227051	A1 *	10/2007	Carpenter et al.	37/452
2010/0236109	A1 *	9/2010	McClanahan et al.	37/455
2011/0072693	A1 *	3/2011	Knight	37/456

OTHER PUBLICATIONS

H&L Tooth Company; Wedge Key, Whistler 12, Casting; Mar. 10, 2006; H&L Tooth Company; USA.

* cited by examiner

Primary Examiner — Mark Goodwin

(74) *Attorney, Agent, or Firm* — Law Office of John W. Harbst

(57) **CLAIM**

The ornamental design for a wedge key, as shown and described.

DESCRIPTION

FIG. 1 is a lower and left side perspective view of a wedge key showing my new design;

FIG. 2 is side elevational view of a wedge key showing my new design; with the opposite side view being a mirror image thereof;

FIG. 3 is a longitudinal sectional view taken along line 3-3 of FIG. 6;

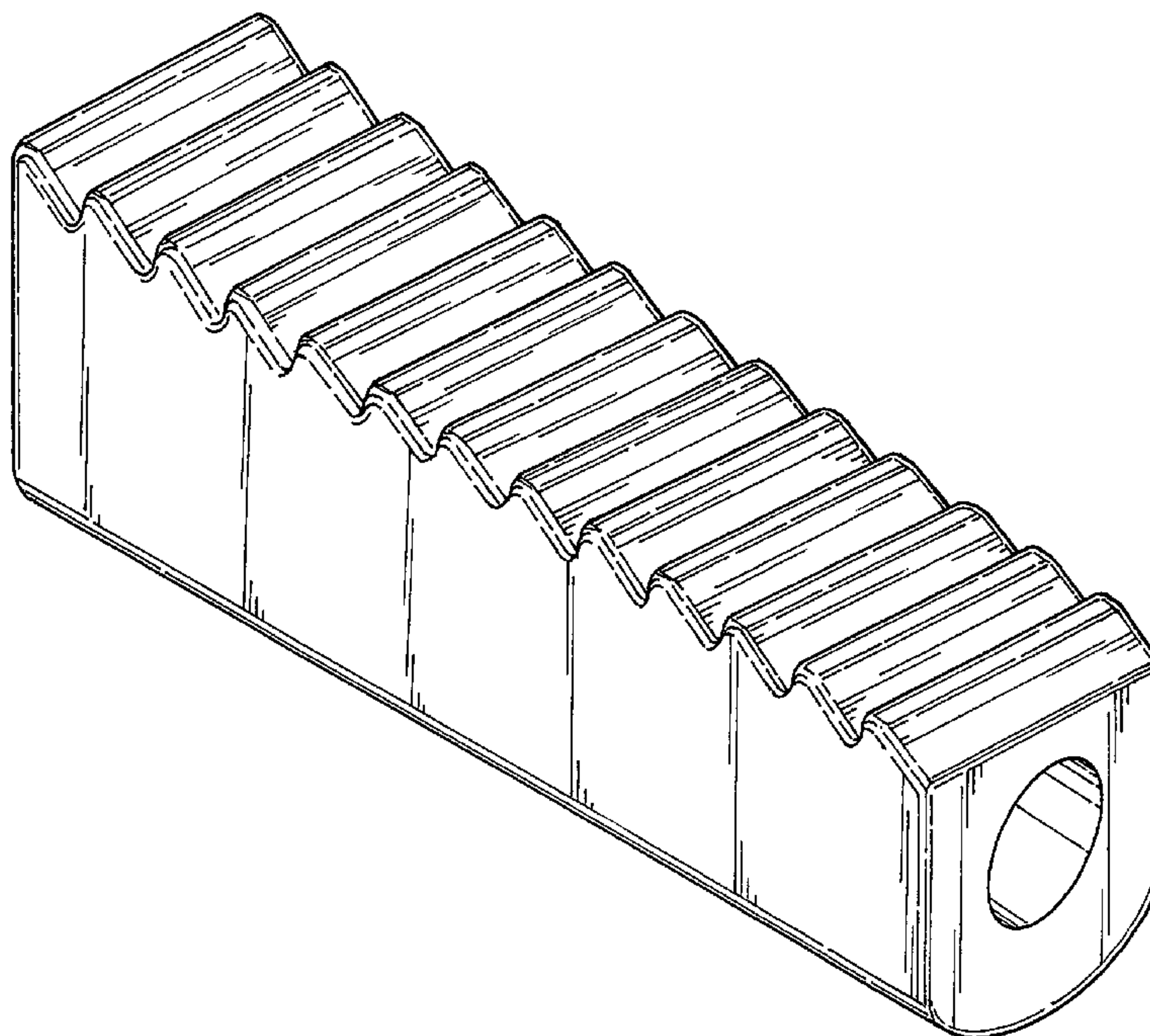
FIG. 4 is a rear elevational view thereof;

FIG. 5 is a front elevation view thereof;

FIG. 6 is a top plan view thereof; and,

FIG. 7 is a bottom plan view thereof.

1 Claim, 4 Drawing Sheets



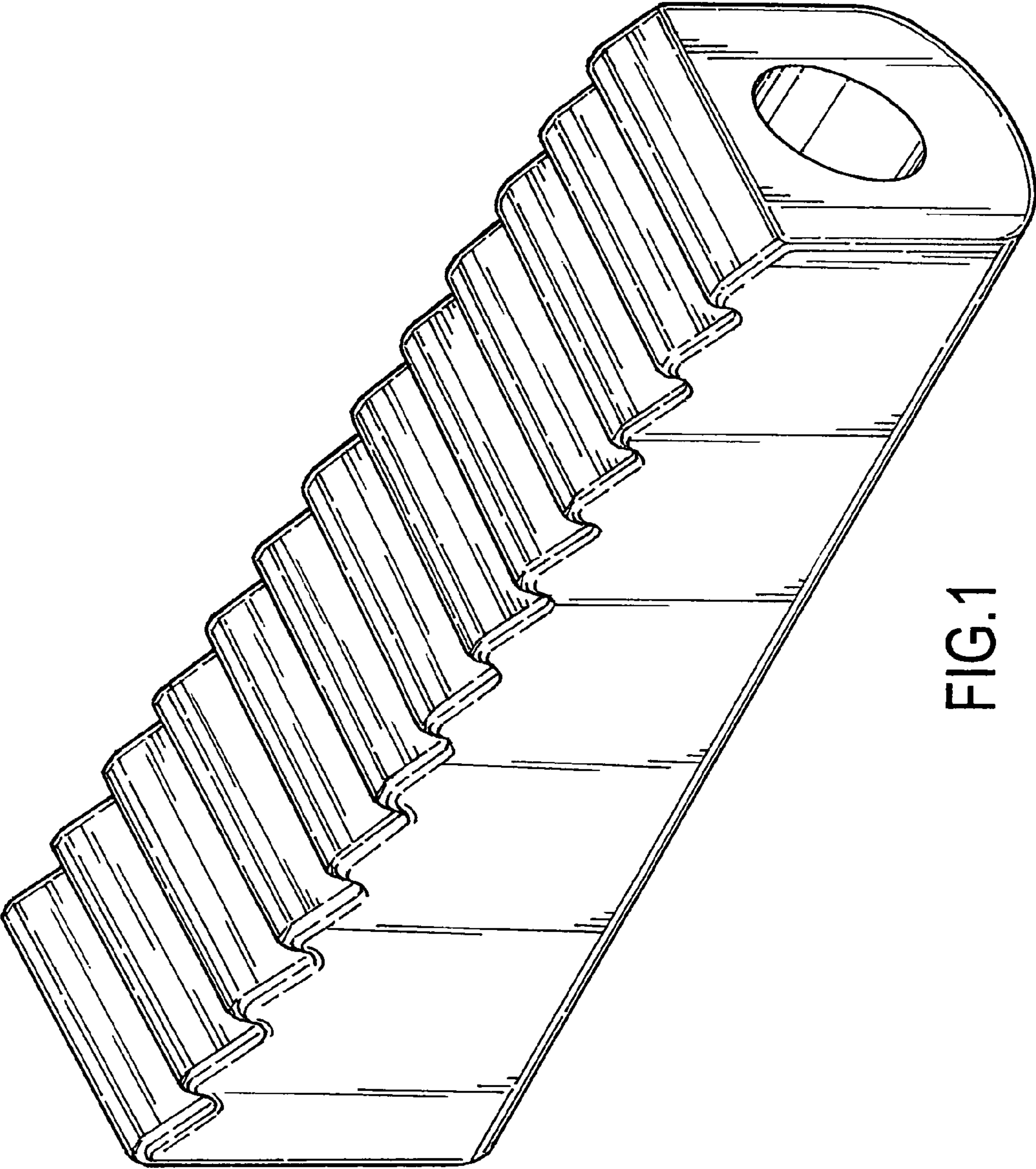


FIG.1

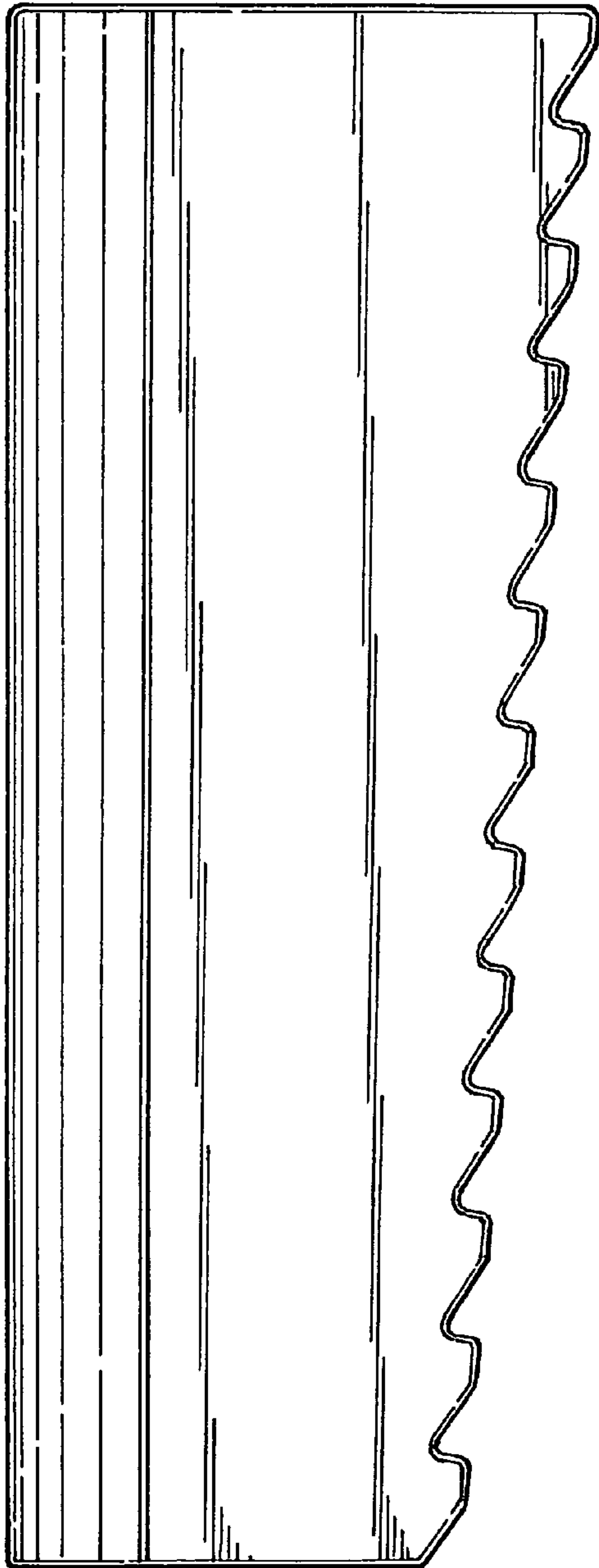


FIG. 2

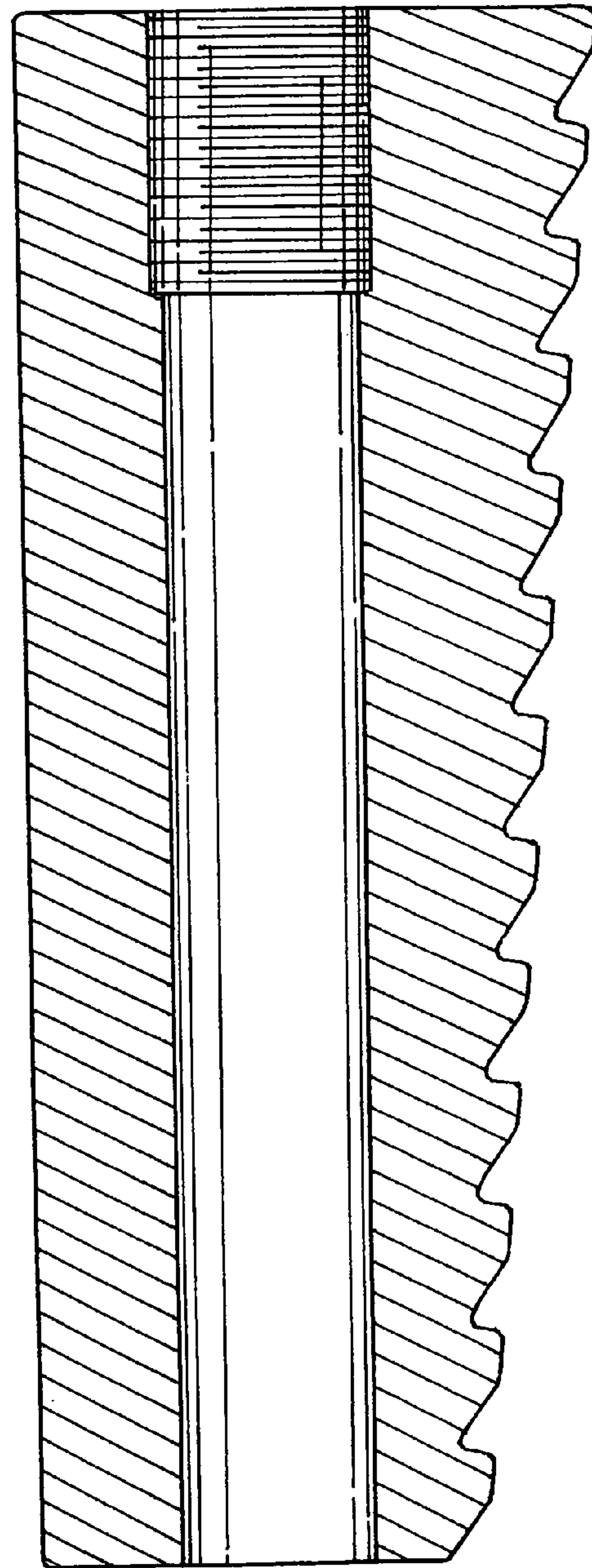


FIG. 3

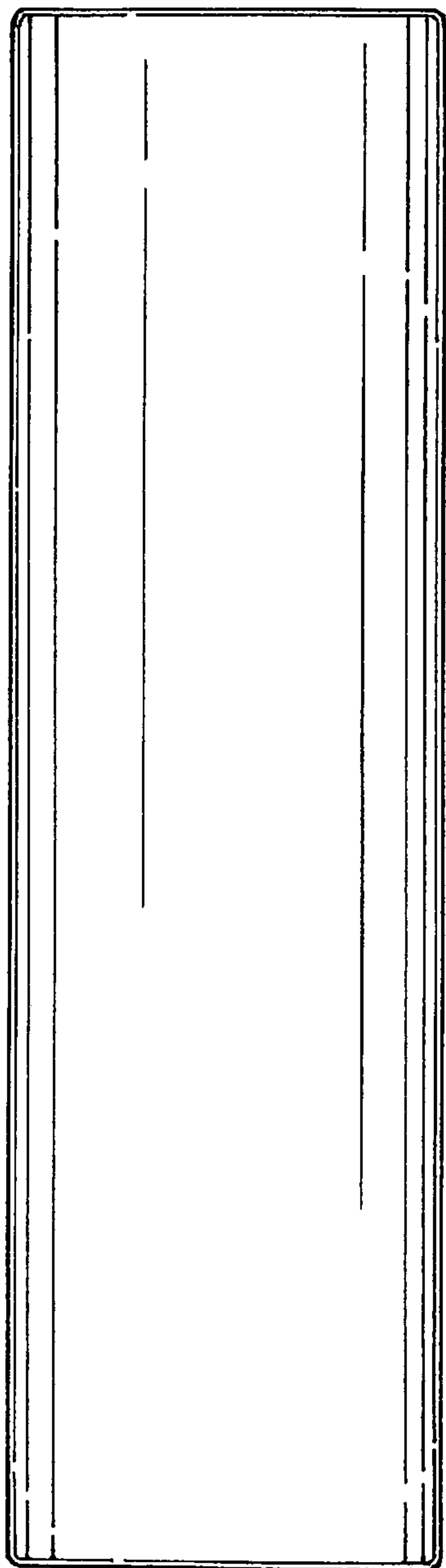


FIG. 4

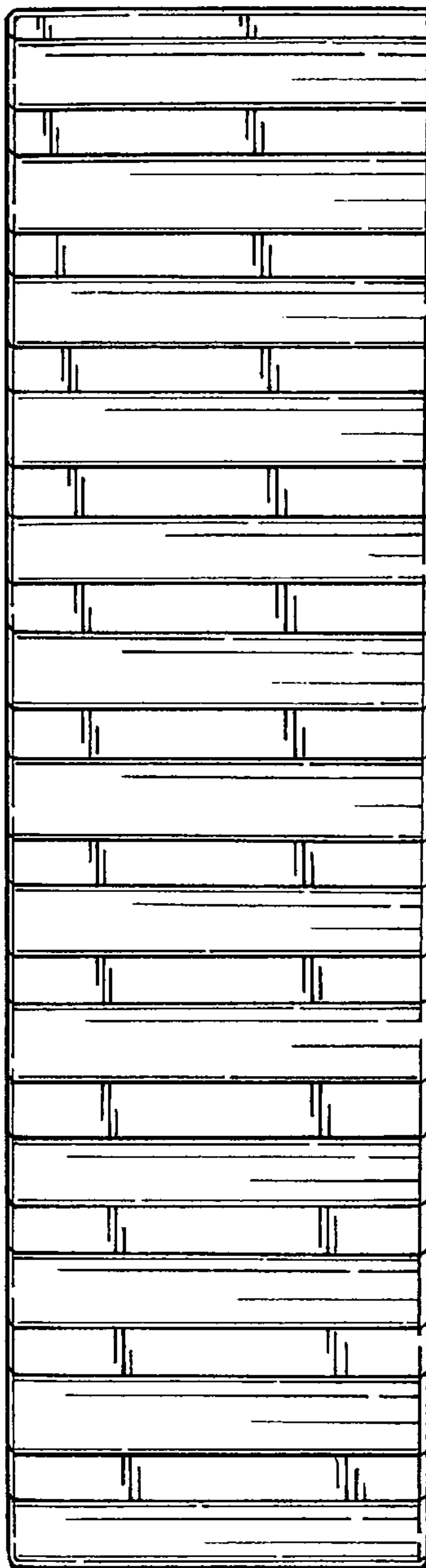


FIG. 5

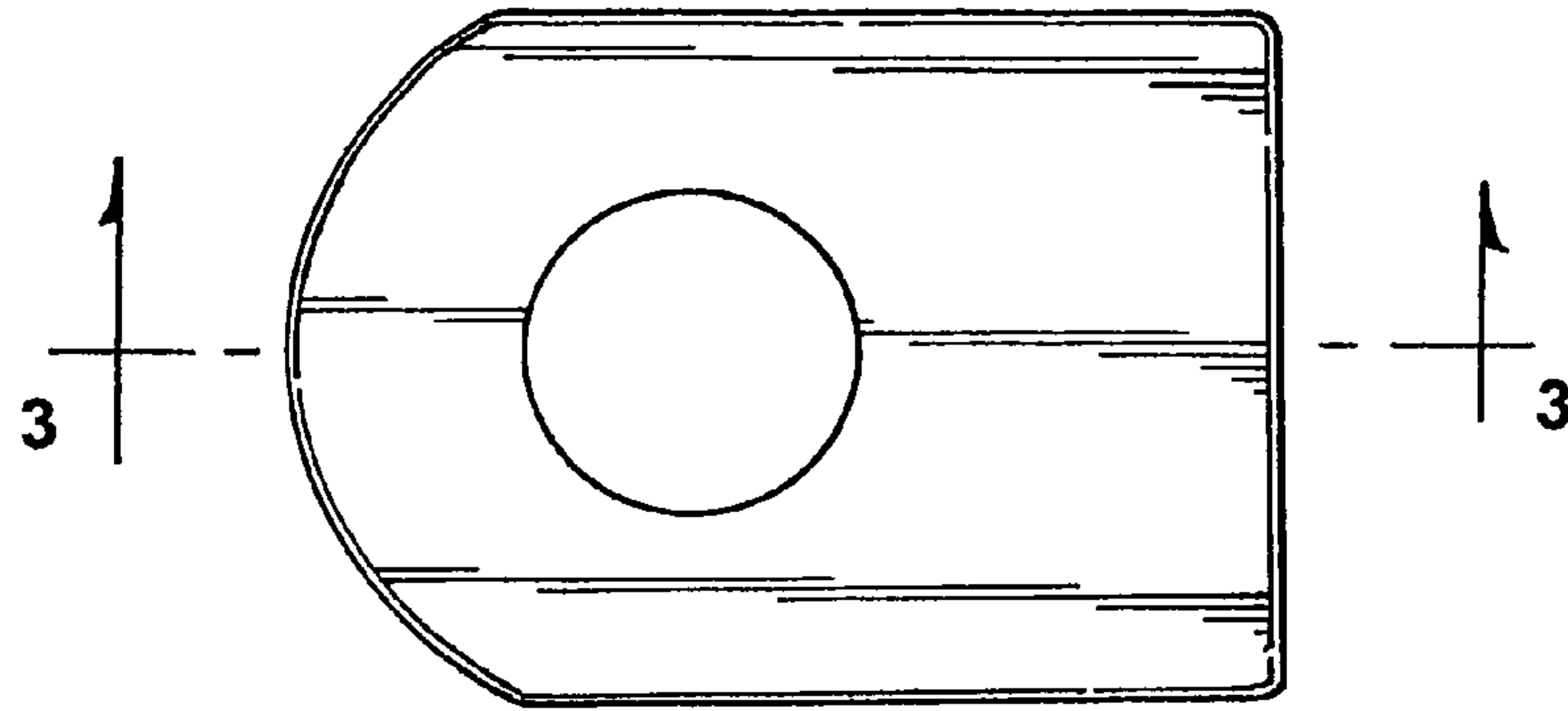


FIG. 6

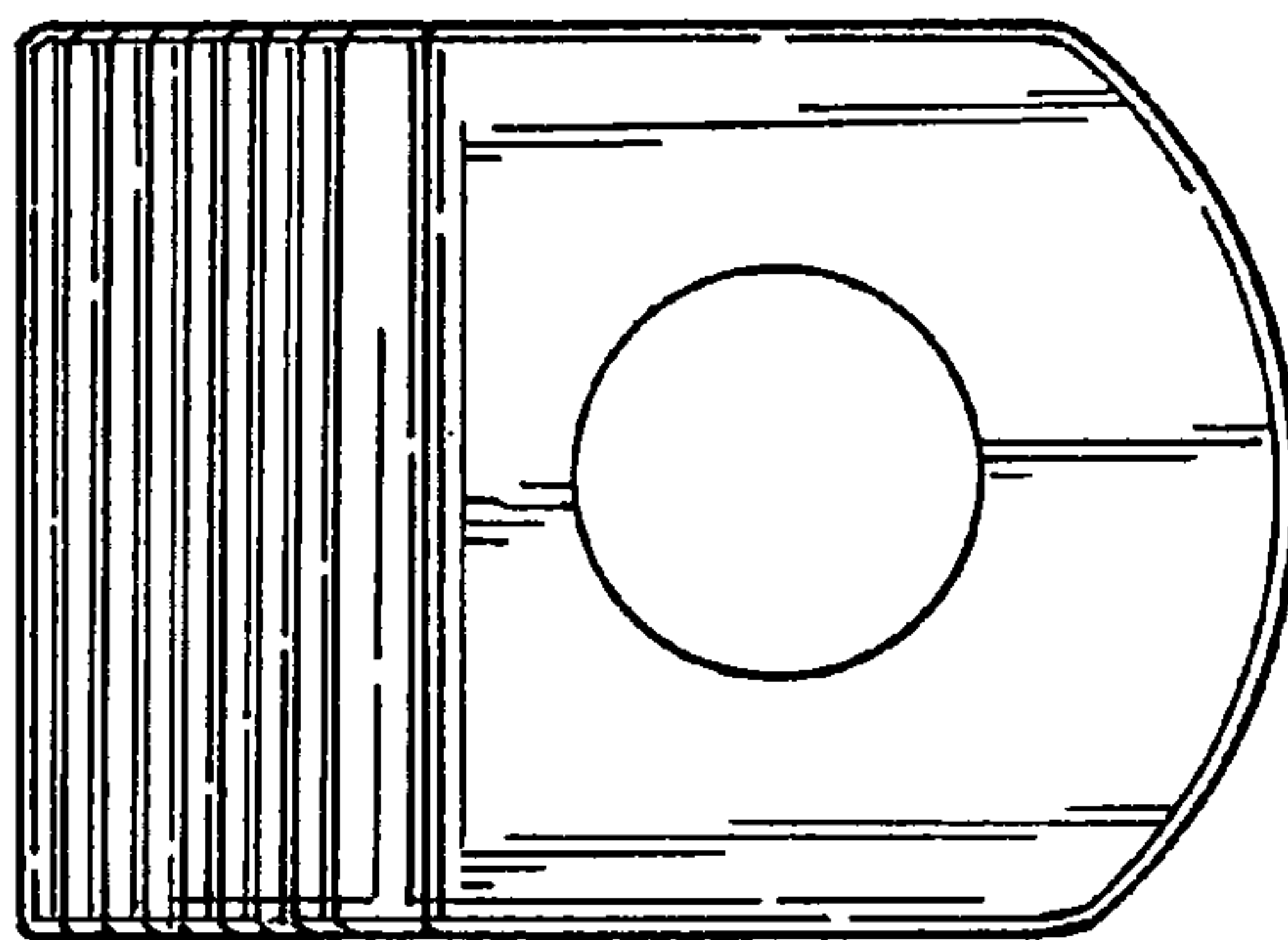


FIG. 7