



US00D696697S

(12) **United States Design Patent**
Cooksey

(10) **Patent No.:** **US D696,697 S**

(45) **Date of Patent:** **** Dec. 31, 2013**

(54) **ARTICULATED TRUCK**

(75) **Inventor:** **Anthony S. Cooksey**, Metamora, IL
(US)

(73) **Assignee:** **Caterpillar Inc.**, Peoria, IL (US)

(**) **Term:** **14 Years**

(21) **Appl. No.:** **29/373,105**

(22) **Filed:** **Feb. 28, 2011**

(30) **Foreign Application Priority Data**

Sep. 3, 2010 (EP) 001232987

(51) **LOC (9) Cl.** **15-03**

(52) **U.S. Cl.**
USPC **D15/10; D15/22**

(58) **Field of Classification Search**
USPC D15/10, 30, 22-26, 28, 33; 180/89.12,
180/89.13, 89.16, 89.18, 89.19, 322-326,
180/333-336, 89.1; 296/190, 192, 190.01
See application file for complete search history.

(56) **References Cited**

U.S. PATENT DOCUMENTS

D307,203 S *	4/1990	Martinez et al.	D32/15
D458,943 S *	6/2002	Briggs et al.	D15/30
D465,499 S *	11/2002	Briggs et al.	D15/30
D522,537 S *	6/2006	Higashikawa	D15/31
D538,306 S *	3/2007	Asada et al.	D15/31
D569,878 S *	5/2008	Higashikawa	D15/31
D580,300 S *	11/2008	Bryant et al.	D12/15

D590,745 S *	4/2009	Bryant et al.	D12/15
7,810,887 B2 *	10/2010	Hjerth et al.	298/17 S
D643,050 S *	8/2011	Rajderkar et al.	D15/31
D660,874 S *	5/2012	Werner et al.	D15/10

* cited by examiner

Primary Examiner — Mark Goodwin

(74) *Attorney, Agent, or Firm* — Liell & McNeil

(57) **CLAIM**

The ornamental design for an articulated truck, as shown and described.

DESCRIPTION

This patent or application filed contains at least one drawing executed in color. Copies of this patent or patent application publication with color drawings will be provided by the Office upon request and payment of the necessary fee.

FIG. 1 is a right front perspective view of an articulated truck according to one aspect of the present design;

FIG. 2 is a left front perspective view of the articulated truck design of FIG. 1;

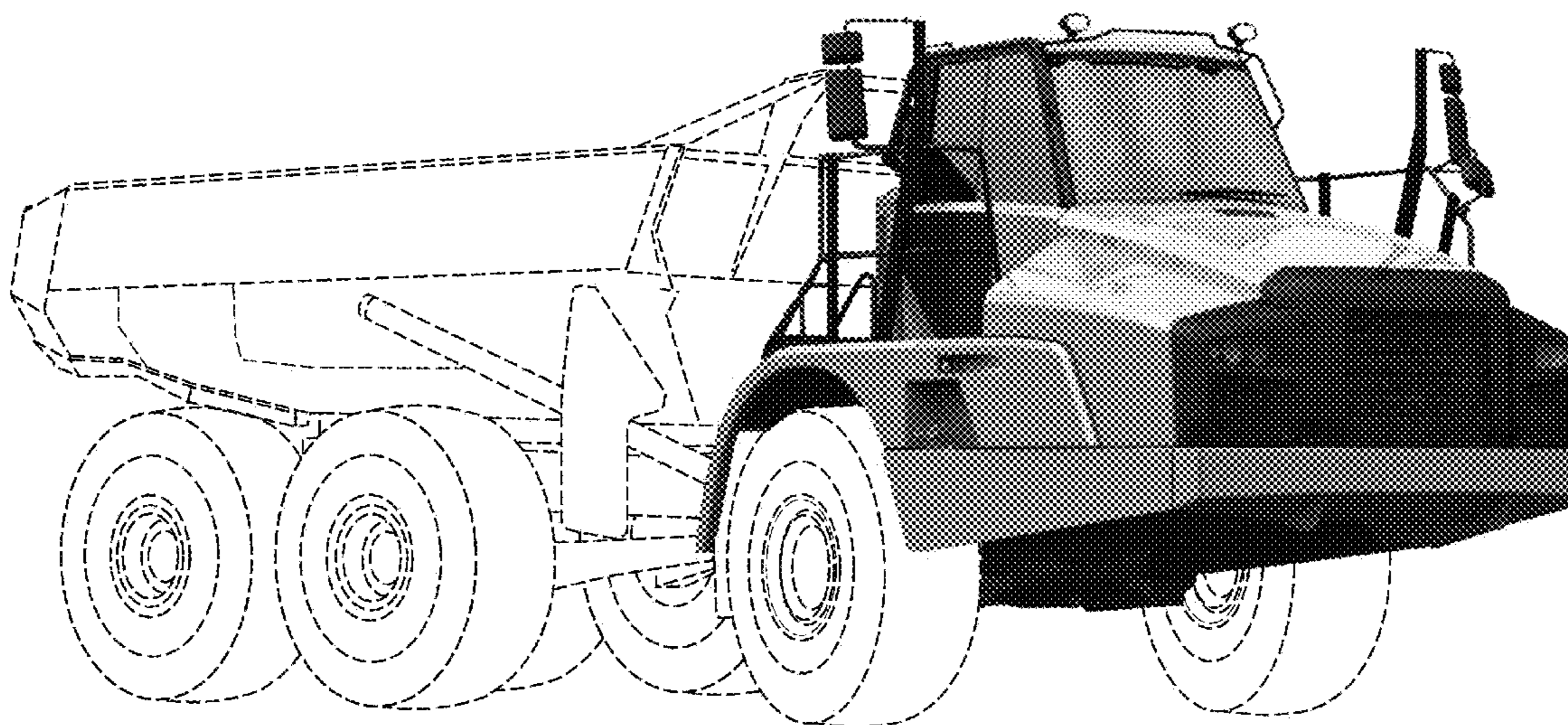
FIG. 3 is a left side perspective view of the articulated truck design of FIGS. 1 and 2;

FIG. 4 is a right perspective view of the articulated truck design of FIGS. 1-3; and,

FIG. 5 is a top view of the articulated truck design of FIGS. 1-4.

The stippled portions of the Figures are included to show visible environmental structure and are not portions of the design. Color, namely black and yellow, are an aspect of the design.

1 Claim, 5 Drawing Sheets
(5 of 5 Drawing Sheet(s) Filed in Color)



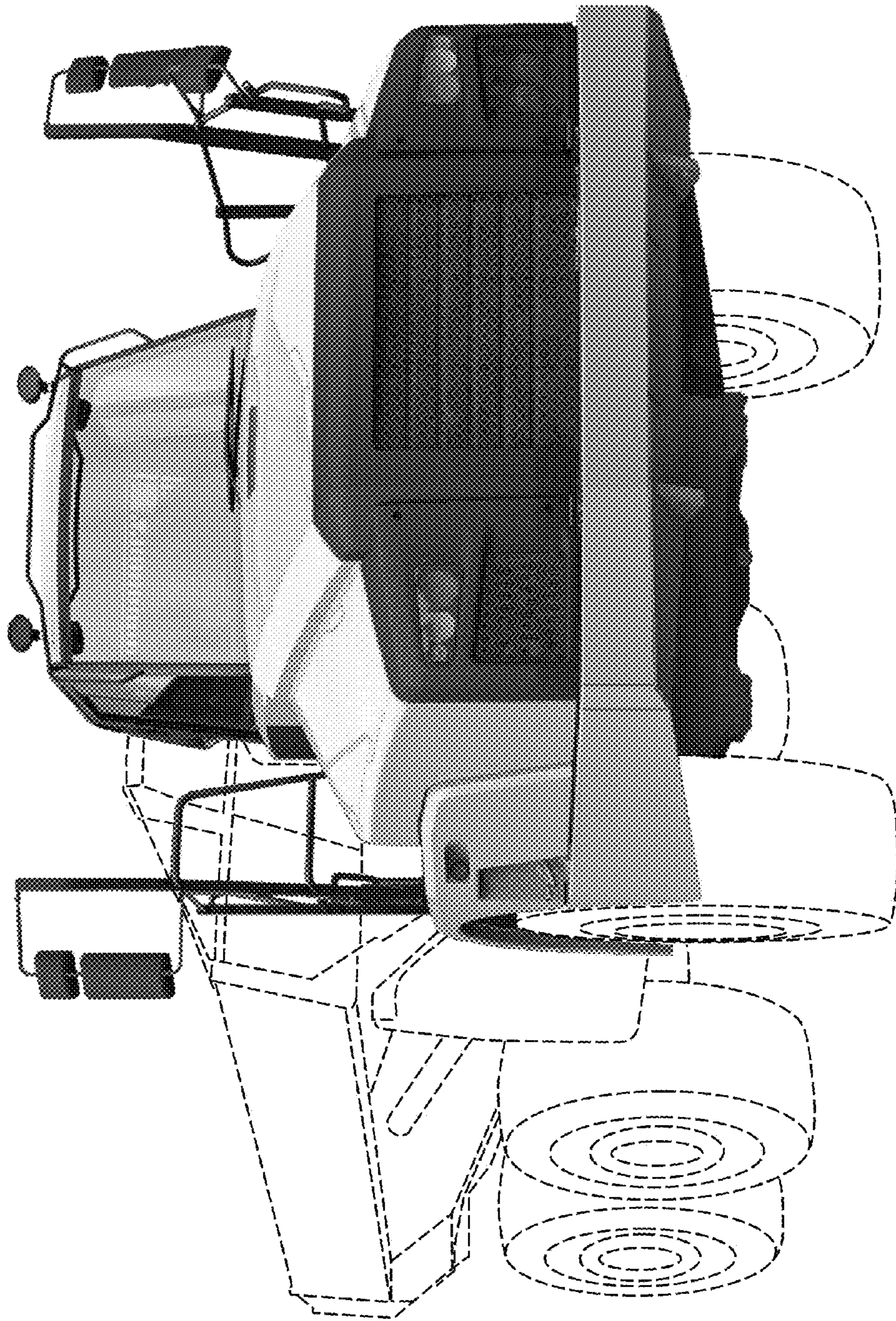


Fig.1

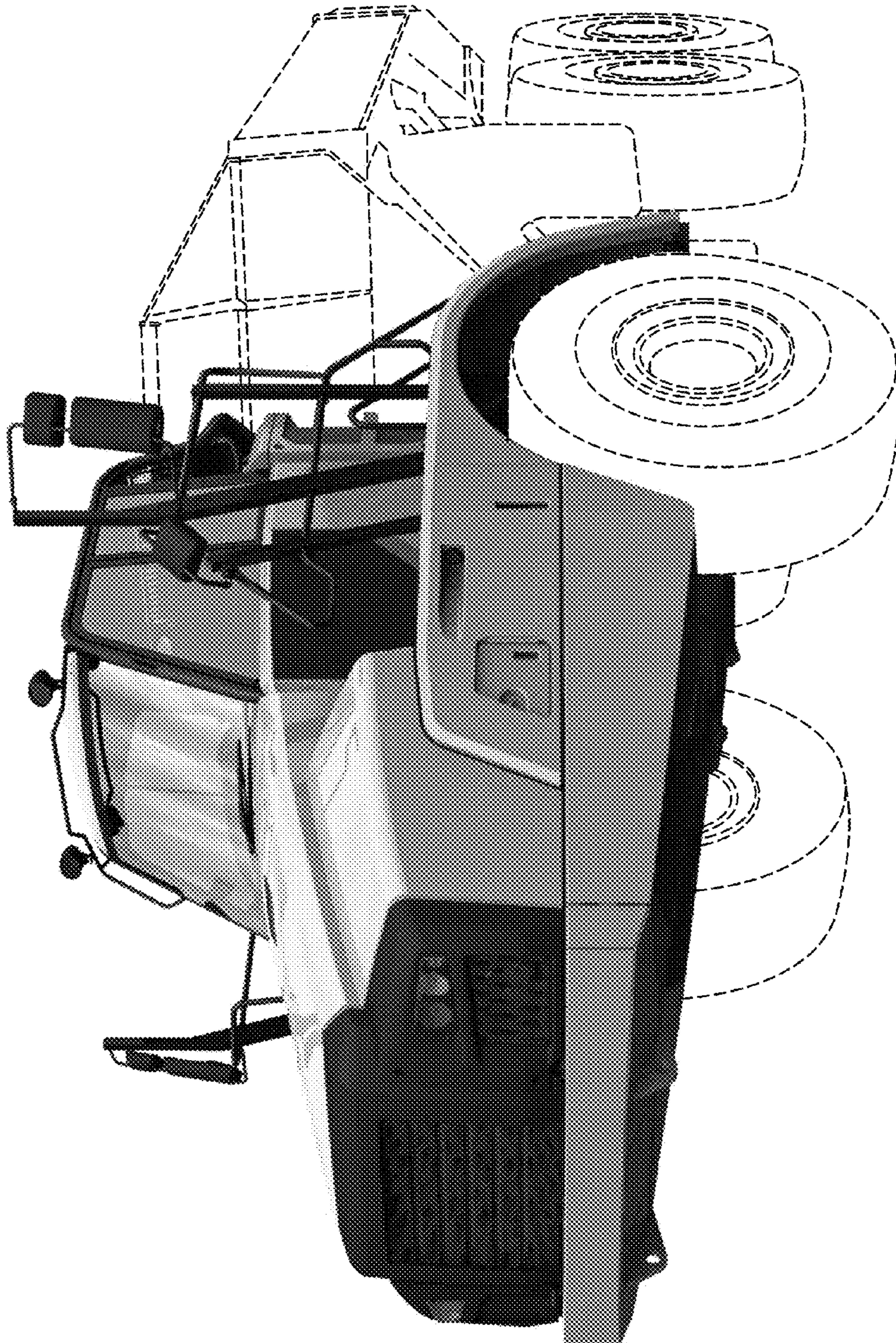


Fig.2

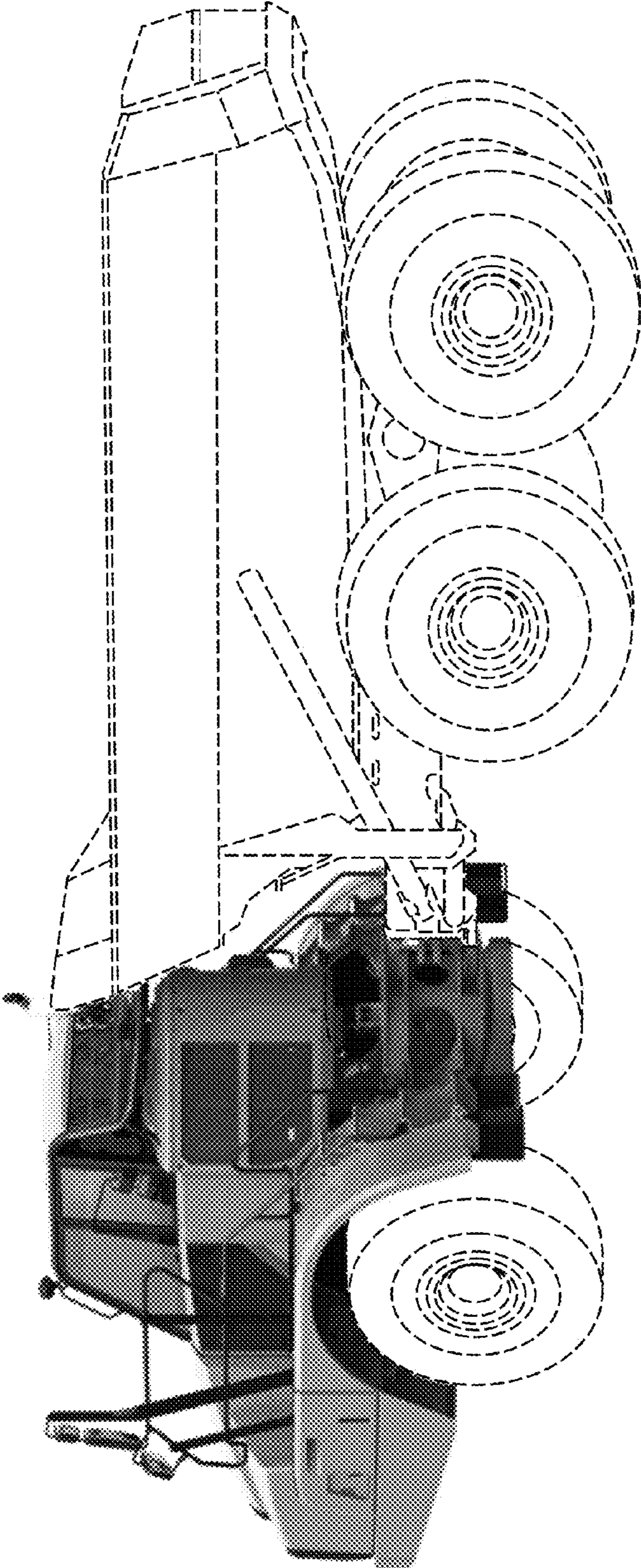


Fig.3

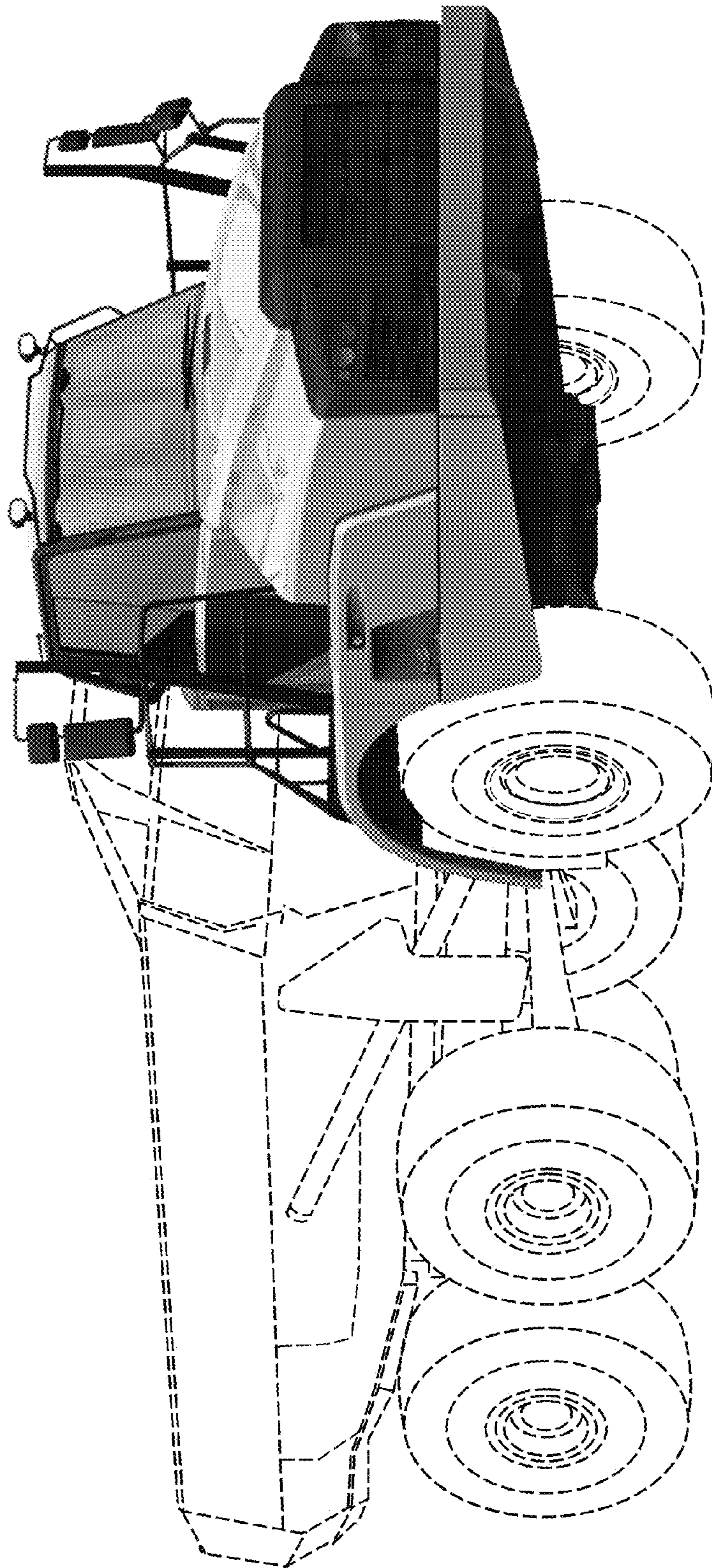


Fig.4

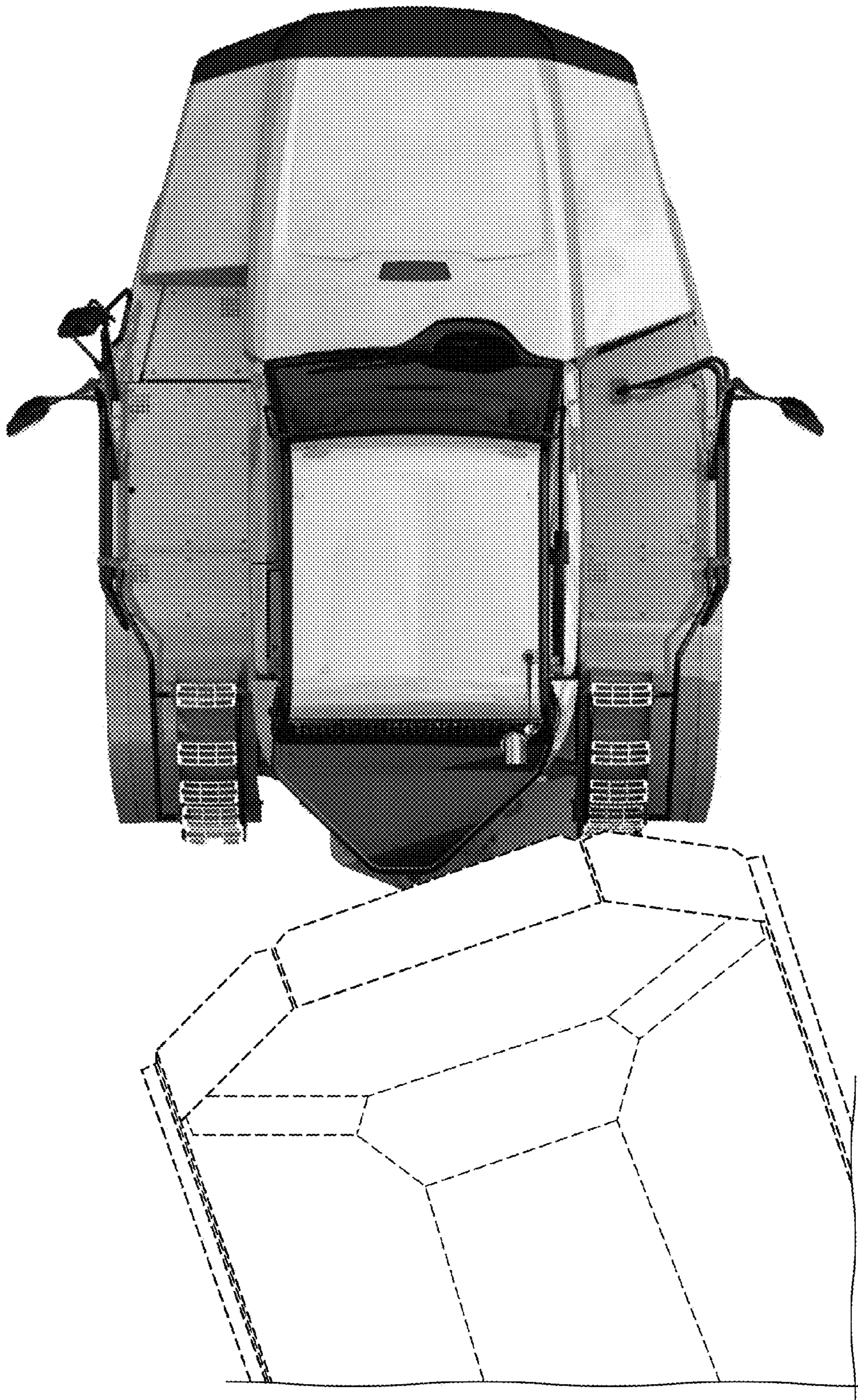


Fig.5