



US00D696696S

(12) **United States Design Patent**
Sofussen et al.

(10) **Patent No.:** **US D696,696 S**

(45) **Date of Patent:** **** Dec. 31, 2013**

(54) **PUMP CONTROL ASSEMBLY**

(56) **References Cited**

(71) Applicant: **Grundfos Holding a/s**, Bjerringbro (DK)

U.S. PATENT DOCUMENTS

(72) Inventors: **Morten Sofussen**, Aarhus C (DK); **Uffe Staehr**, Hinnerup (DK)

D442,607 S	5/2001	Bauck	
D573,607 S	7/2008	Bulter	
D589,983 S	* 4/2009	Sinico	D15/7
D603,870 S	* 11/2009	Mehnert et al.	D15/7
D604,330 S	* 11/2009	Duong et al.	D15/7
D613,771 S	4/2010	Gaertner	
D626,970 S	11/2010	Moser et al.	
D638,858 S	5/2011	Johnson et al.	
D647,537 S	10/2011	Mehnert et al.	
D662,113 S	6/2012	Johnson et al.	

(73) Assignee: **Grundfos Holding a/s**, Bjerringbro (DK)

(**) Term: **14 Years**

OTHER PUBLICATIONS

(21) Appl. No.: **29/459,240**

Grundfos webpage printed Mar. 4, 2013, 2 pages. <http://noteswww.grundfos.com/web/homecbs_asia.nsf/webPrintView/3B065B443DB9E1DFC1256C80003C5277>, illustrating prior art pump designs.

(22) Filed: **Jun. 27, 2013**

Related U.S. Application Data

(60) Division of application No. 29/429,087, filed on Aug. 7, 2012, now Pat. No. Des. 687,468, which is a continuation-in-part of application No. 29/429,062, filed on Aug. 7, 2012, now Pat. No. Des. 687,467, which is a continuation-in-part of application No. 29/421,511, filed on Aug. 6, 2012.

* cited by examiner

Primary Examiner — Ralf Seifert

(74) *Attorney, Agent, or Firm* — Panitch Schwarze Belisario & Nadel LLP

(30) **Foreign Application Priority Data**

Feb. 7, 2012 (EM) 001988023
Feb. 7, 2012 (EM) 001988098

(51) **LOC (9) Cl.** **15-02**

(52) **U.S. Cl.**
USPC **D15/7**

(58) **Field of Classification Search**
USPC D15/7-9; D23/231, 232, 225; 417/60, 417/235, 265, 321, 355, 358, 363, 359, 417/410.1, 415-416, 405, 900, 43, 554; 60/408, 412; 184/26-37; 415/140-147; 123/495, 509; 166/105.1, 105.2, 311
See application file for complete search history.

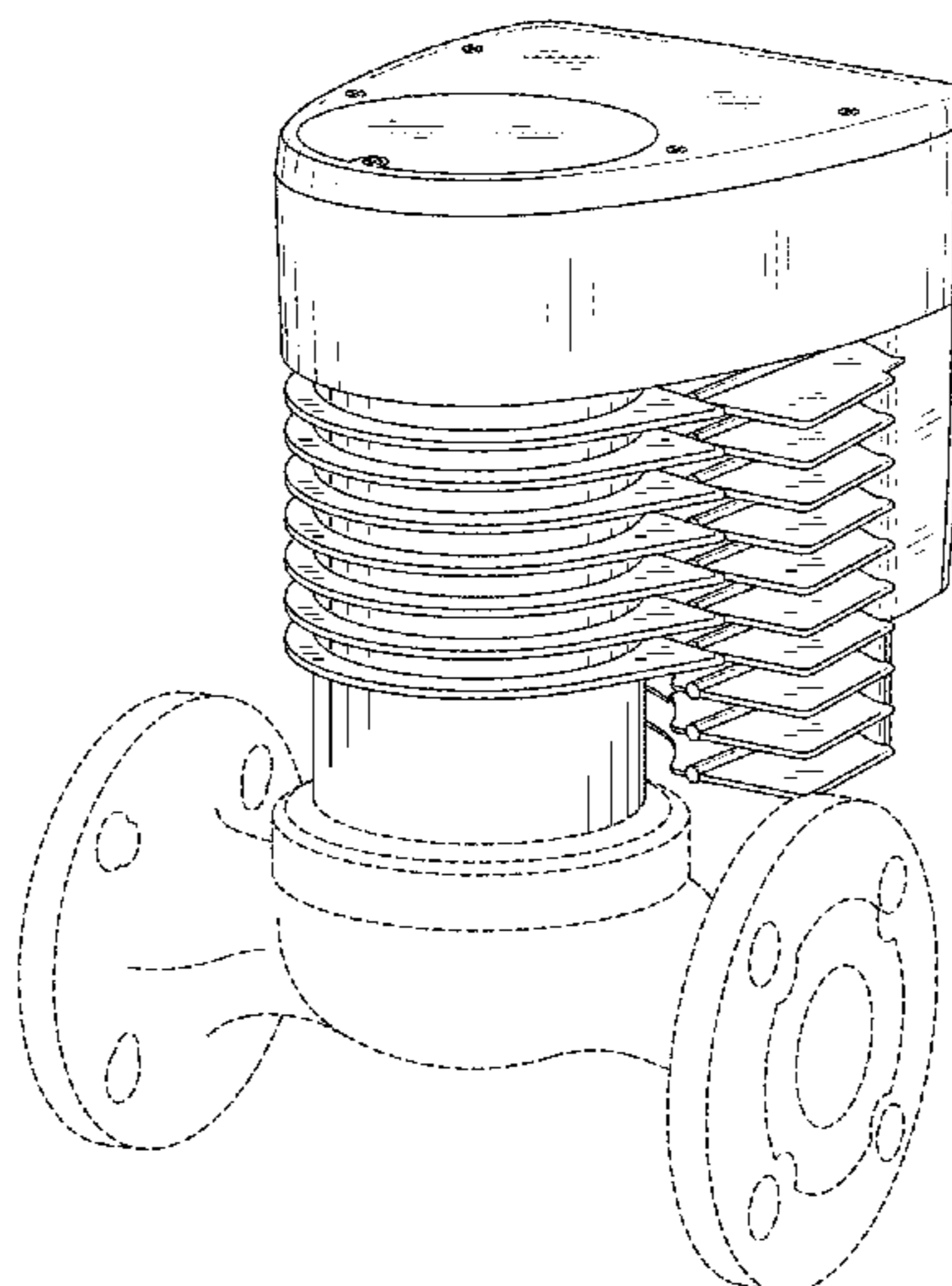
CLAIM

(57) The ornamental design for pump control assembly, as shown and described.

DESCRIPTION

FIG. 1 is a perspective view of the front, top and left side of a pump control assembly in accordance with our new design; FIG. 2 is a front elevation view thereof; FIG. 3 is an elevation view of the left side thereof; FIG. 4 is a rear elevation view thereof; FIG. 5 is an elevation view of the right side thereof; FIG. 6 is a top plan view thereof; and, FIG. 7 is a bottom plan view thereof. It being understood that the broken lines are for illustrative purposes only and form no part of the claimed design.

1 Claim, 7 Drawing Sheets



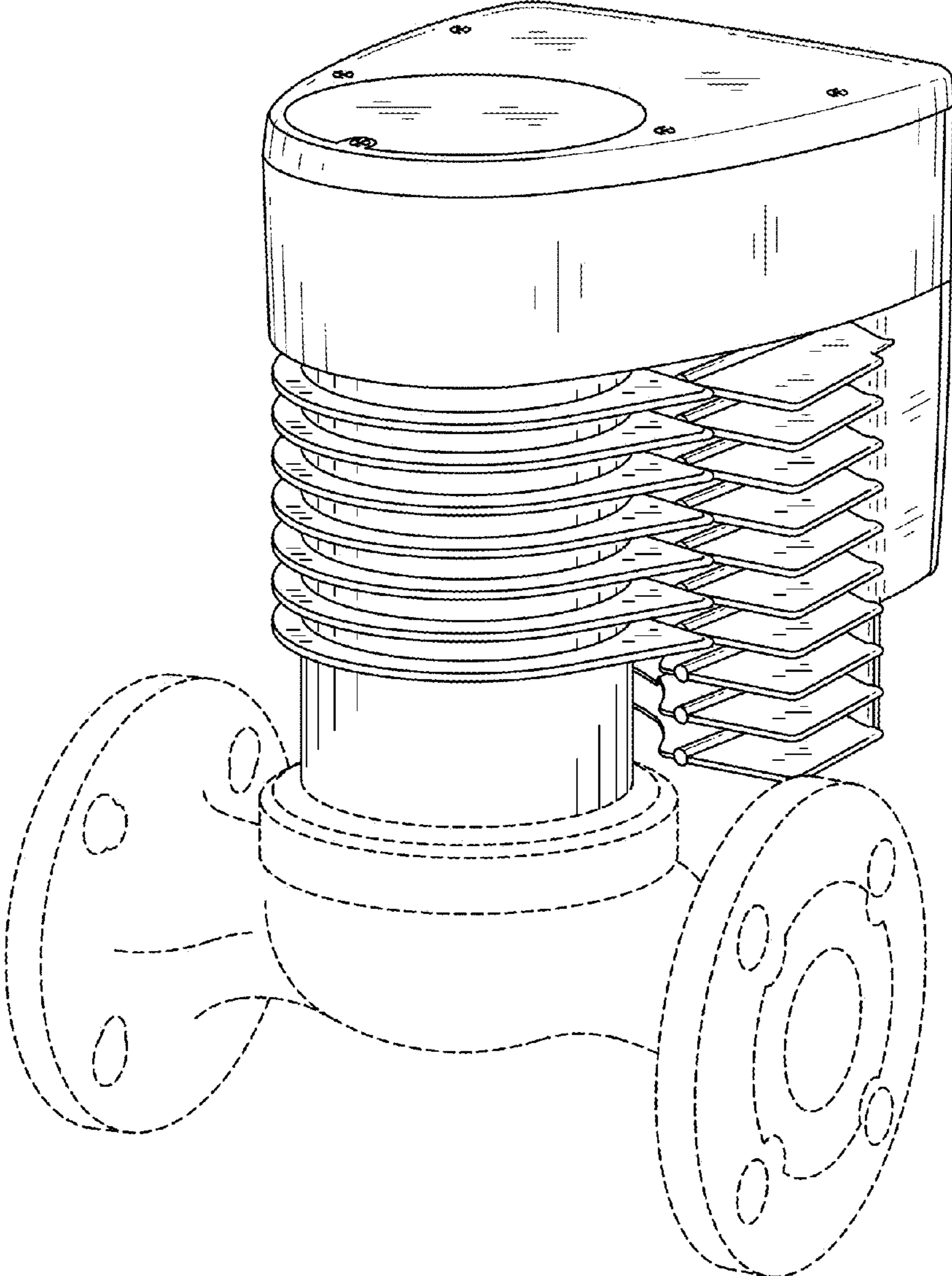


Fig. 1

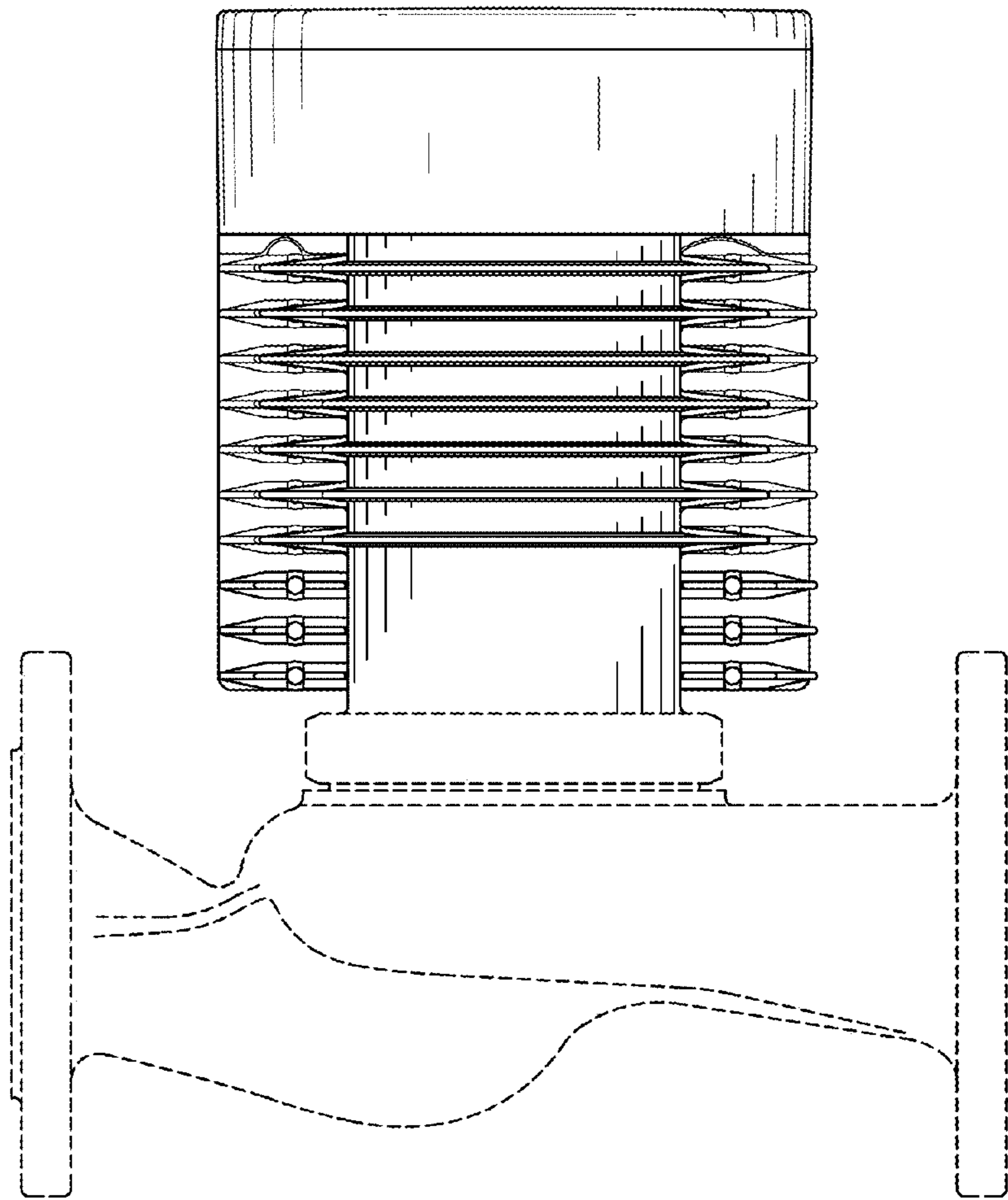


Fig. 2

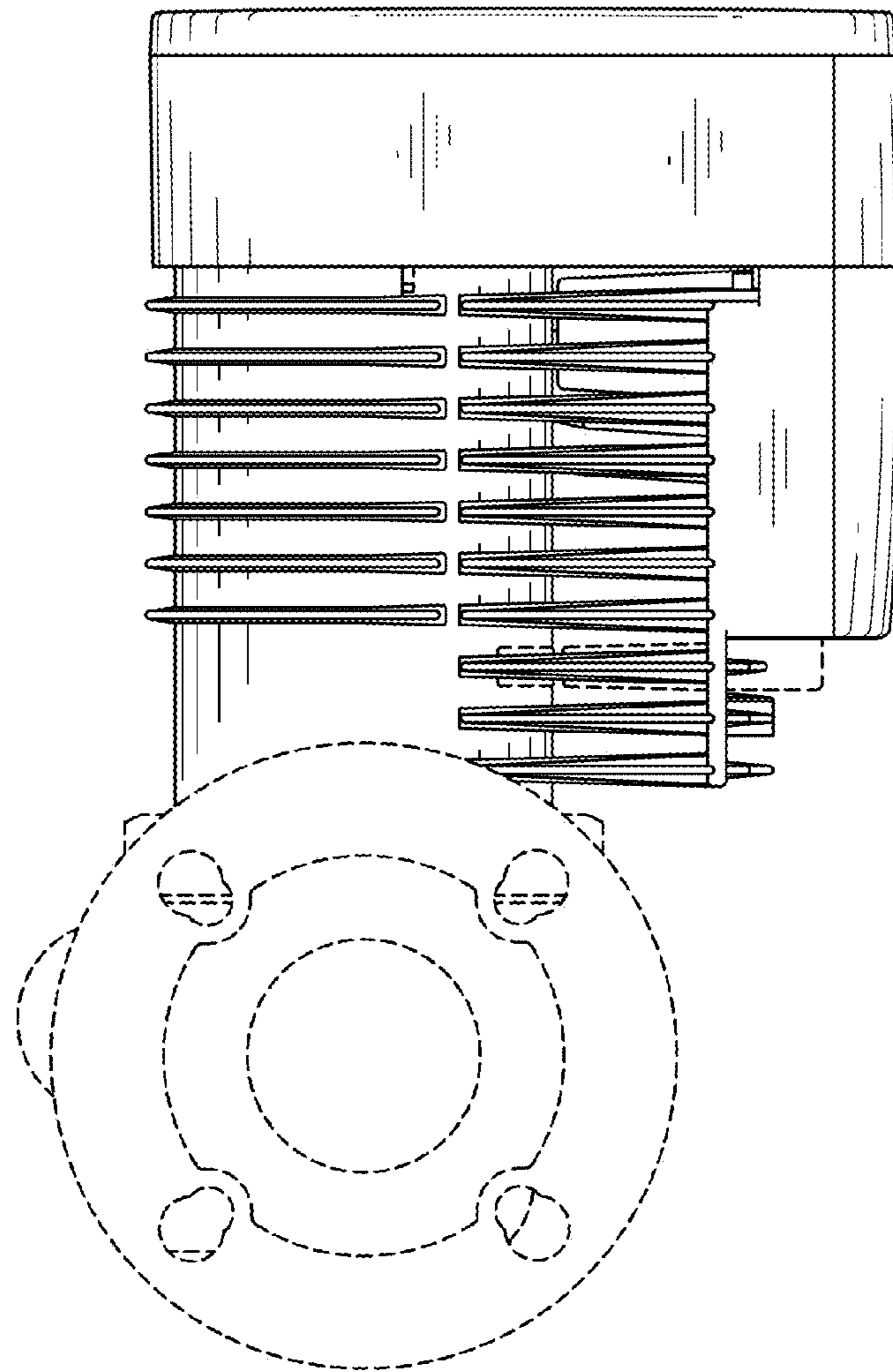


Fig. 3

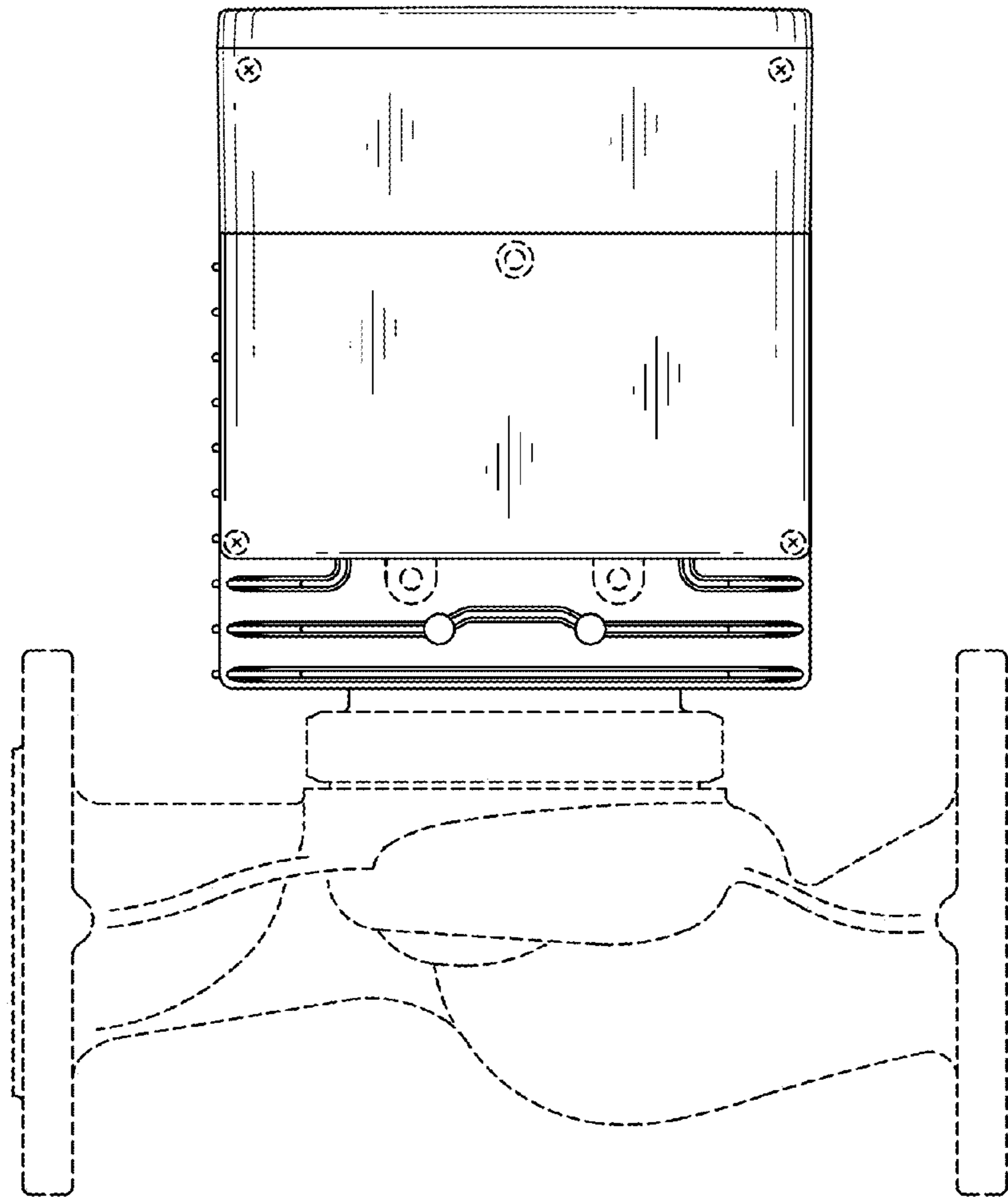


Fig. 4

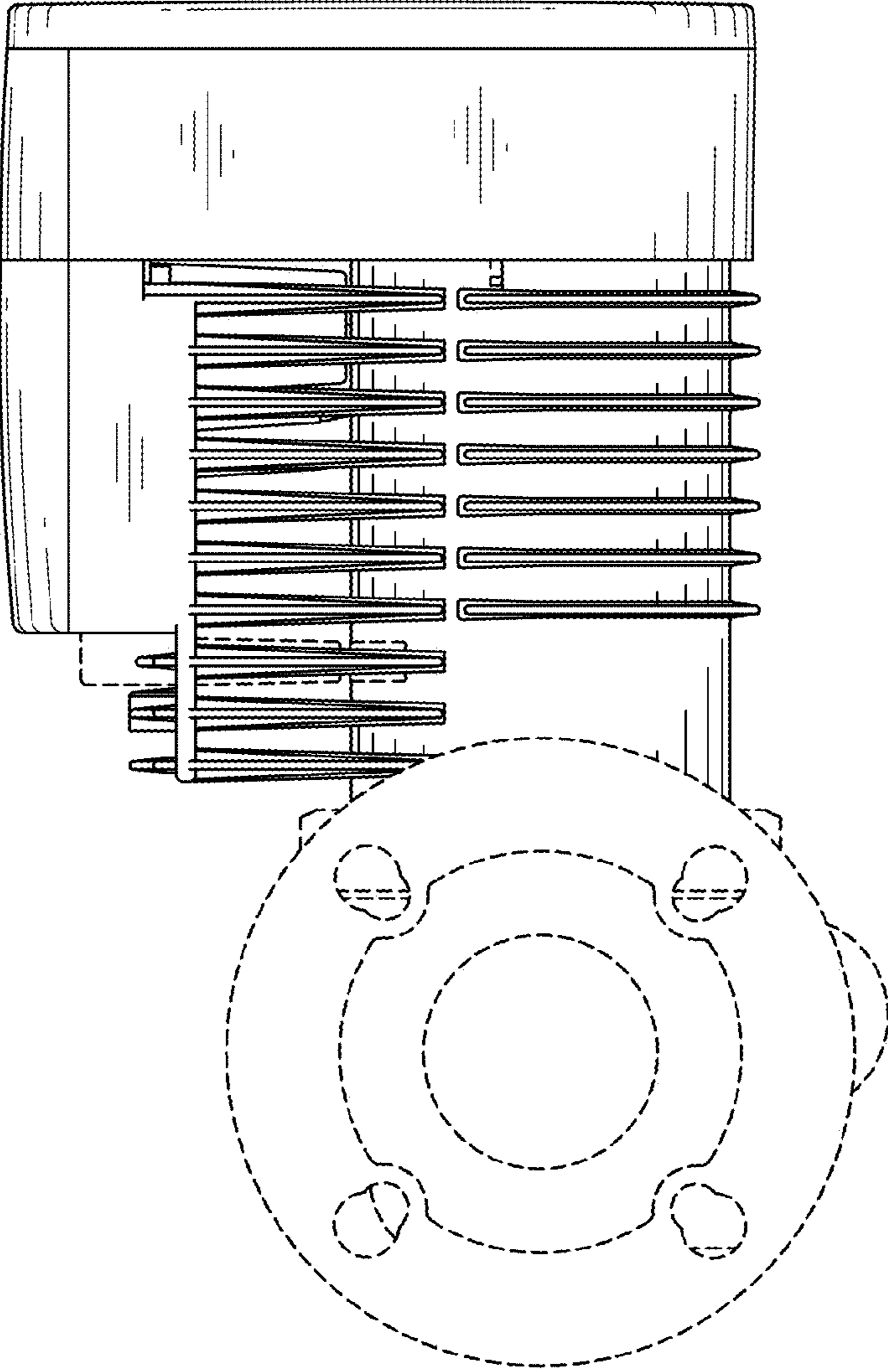


Fig. 5

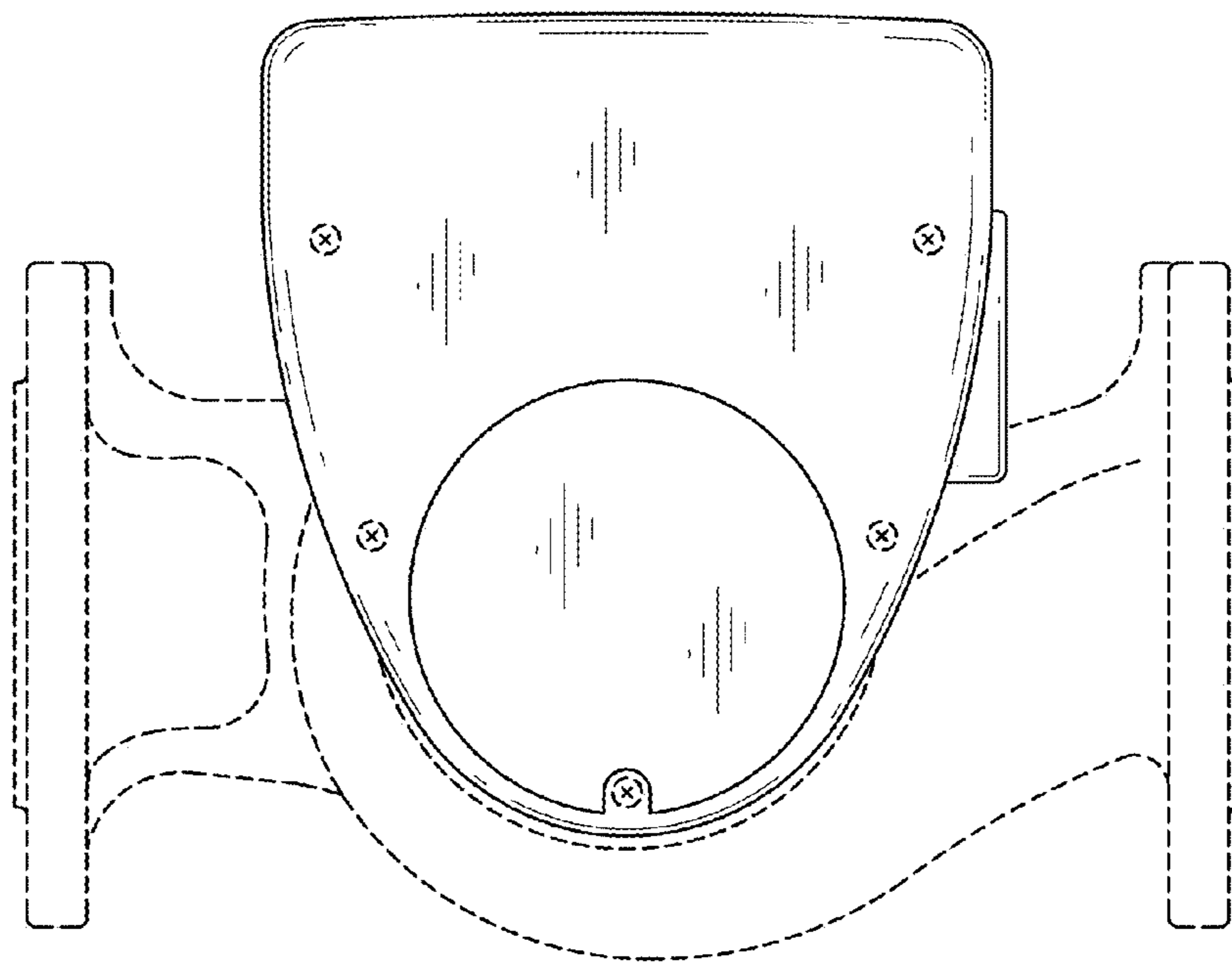


Fig. 6

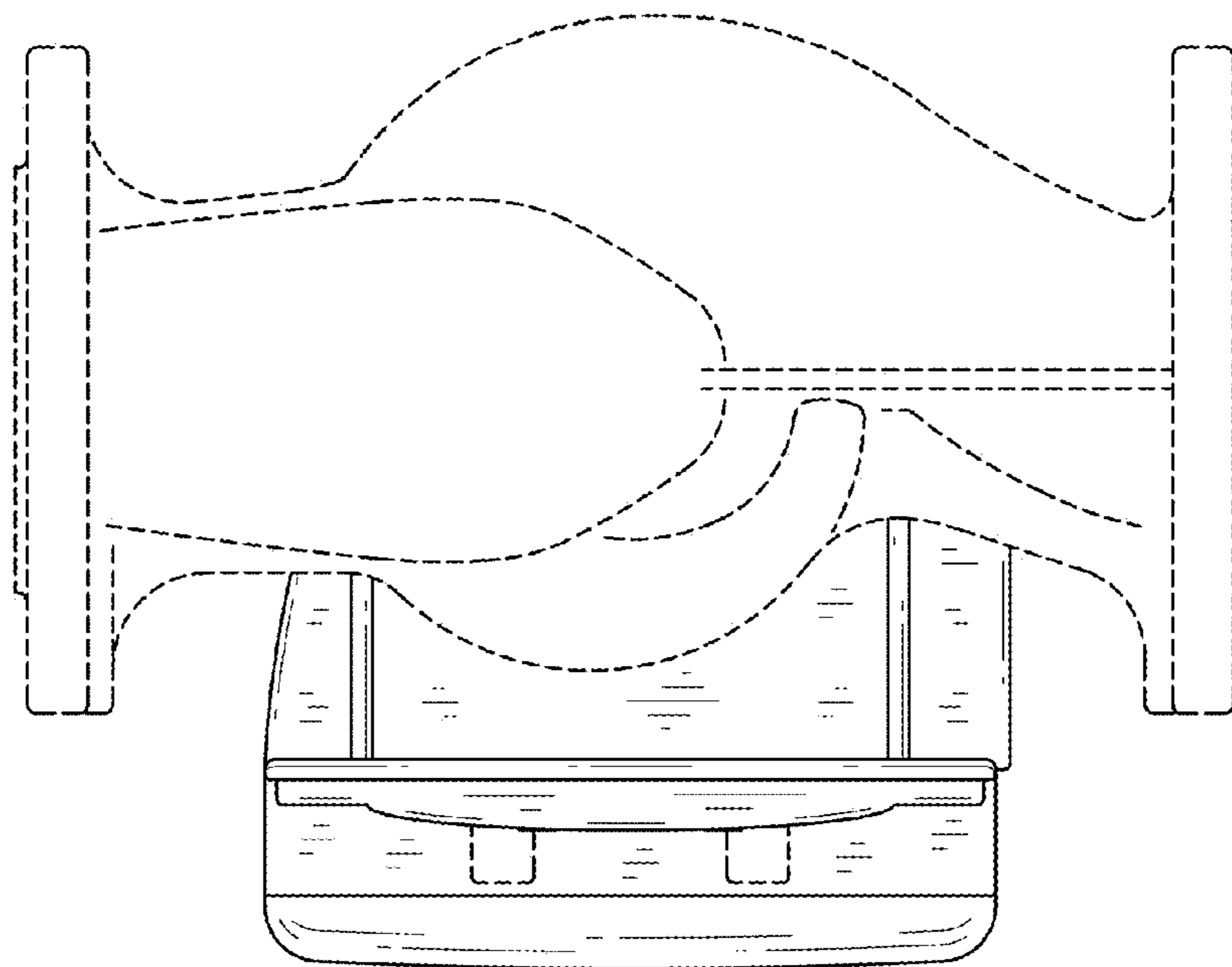


Fig. 7