

US00D696694S

(12) **United States Design Patent**
Fulkerson et al.

(10) **Patent No.:** **US D696,694 S**

(45) **Date of Patent:** **** Dec. 31, 2013**

(54) **PUMP**

(71) Applicant: **Nordson Corporation**, Westlake, OH
(US)

(72) Inventors: **Terrence M. Fulkerson**, Brunswick
Hills, OH (US); **Donna Campbell**,
Huron, OH (US)

(73) Assignee: **Nordson Corporation**, Westlake, OH
(US)

(**) Term: **14 Years**

(21) Appl. No.: **29/448,915**

(22) Filed: **Mar. 14, 2013**

(51) **LOC (9) Cl.** **15-02**

(52) **U.S. Cl.**
USPC **D15/7**

(58) **Field of Classification Search**
USPC D15/7-9; D23/231, 232; 417/410.1,
417/359, 415-416, 234, 321, 265, 405
See application file for complete search history.

(56) **References Cited**

U.S. PATENT DOCUMENTS

D372,034 S * 7/1996 Handzel et al. D15/7
D464,063 S * 10/2002 Thomas et al. D15/9

D486,501 S * 2/2004 Hawkins et al. D15/7
D531,643 S * 11/2006 Tischler et al. D15/7
D619,624 S * 7/2010 Iwagoshi et al. D15/7
7,997,878 B2 8/2011 Fulkerson
D649,561 S * 11/2011 Bauck et al. D15/7
D655,314 S * 3/2012 Yoshimura et al. D15/9
D659,166 S * 5/2012 Koyama et al. D15/7
D680,134 S * 4/2013 Fordyce et al. D15/7

* cited by examiner

Primary Examiner — Ralf Seifert

(74) *Attorney, Agent, or Firm* — Calfee, Halter & Griswold
LLP

(57) **CLAIM**

The ornamental design for a pump, as shown and described.

DESCRIPTION

FIG. 1 is a perspective view of a pump showing our new design;

FIG. 2 is a front elevational view;

FIG. 3 is a right side elevational view;

FIG. 4 is a left side elevational view;

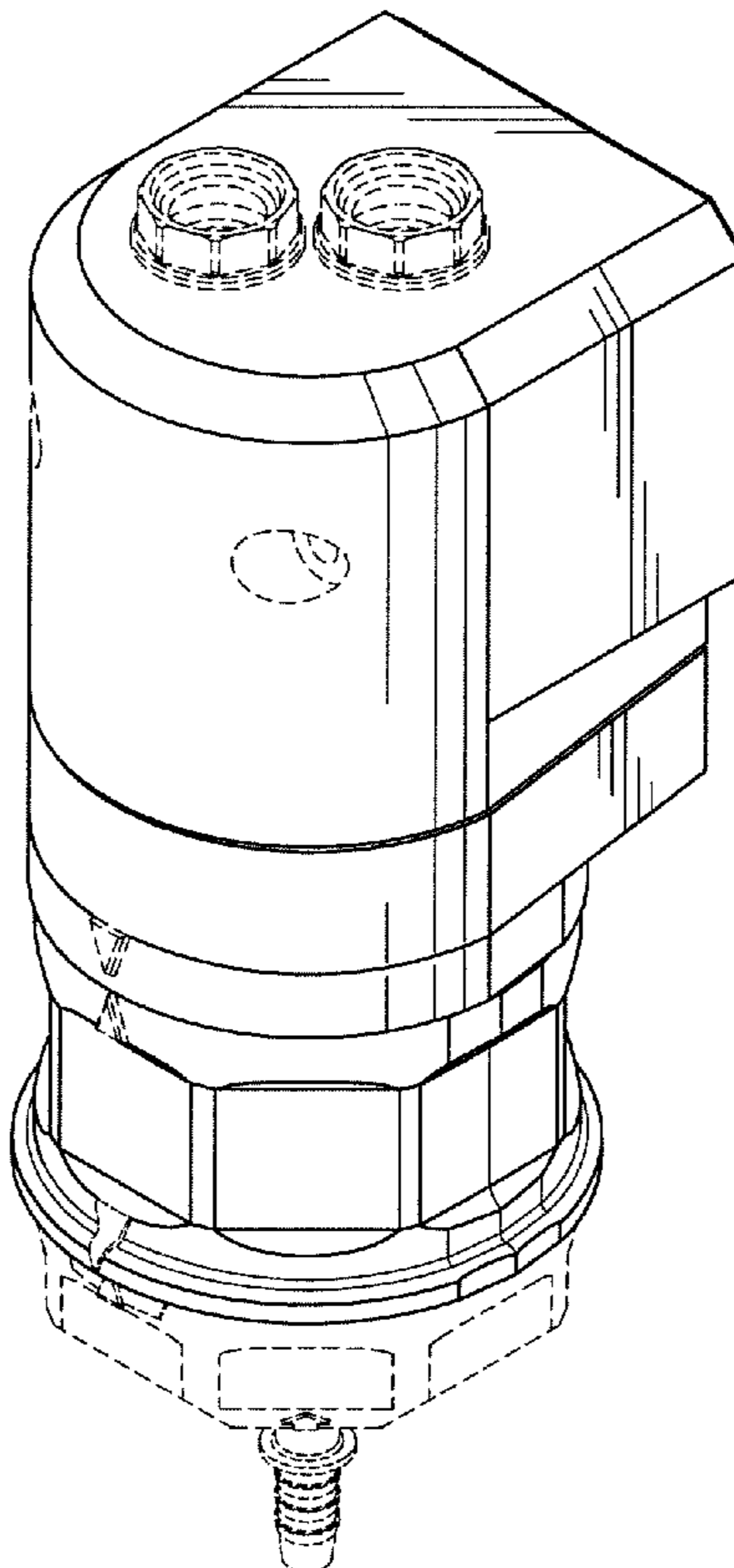
FIG. 5 is a rear elevational view;

FIG. 6 is a top plan view; and,

FIG. 7 is a bottom plan view.

The portions of the figures shown in broken lines are not part of the claimed design and are for illustration only.

1 Claim, 4 Drawing Sheets



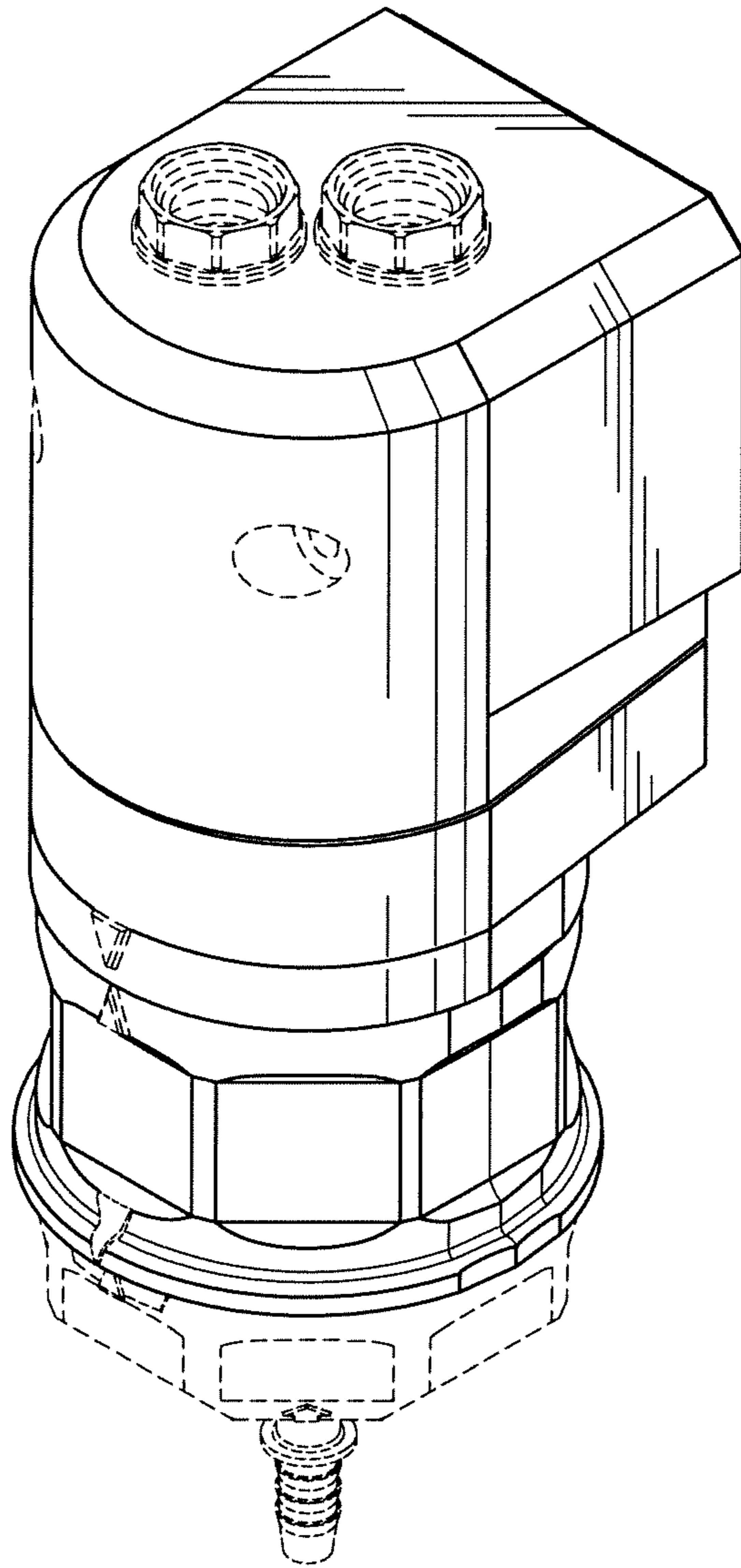


FIG. 1

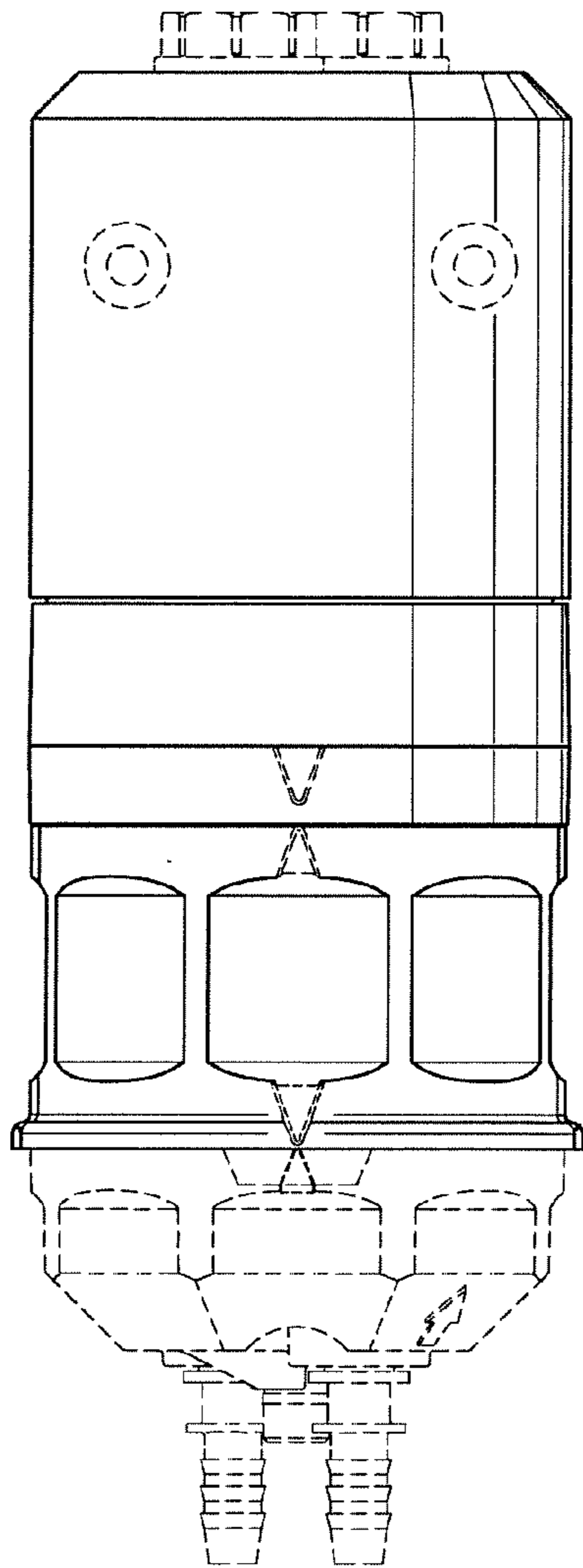


FIG. 2

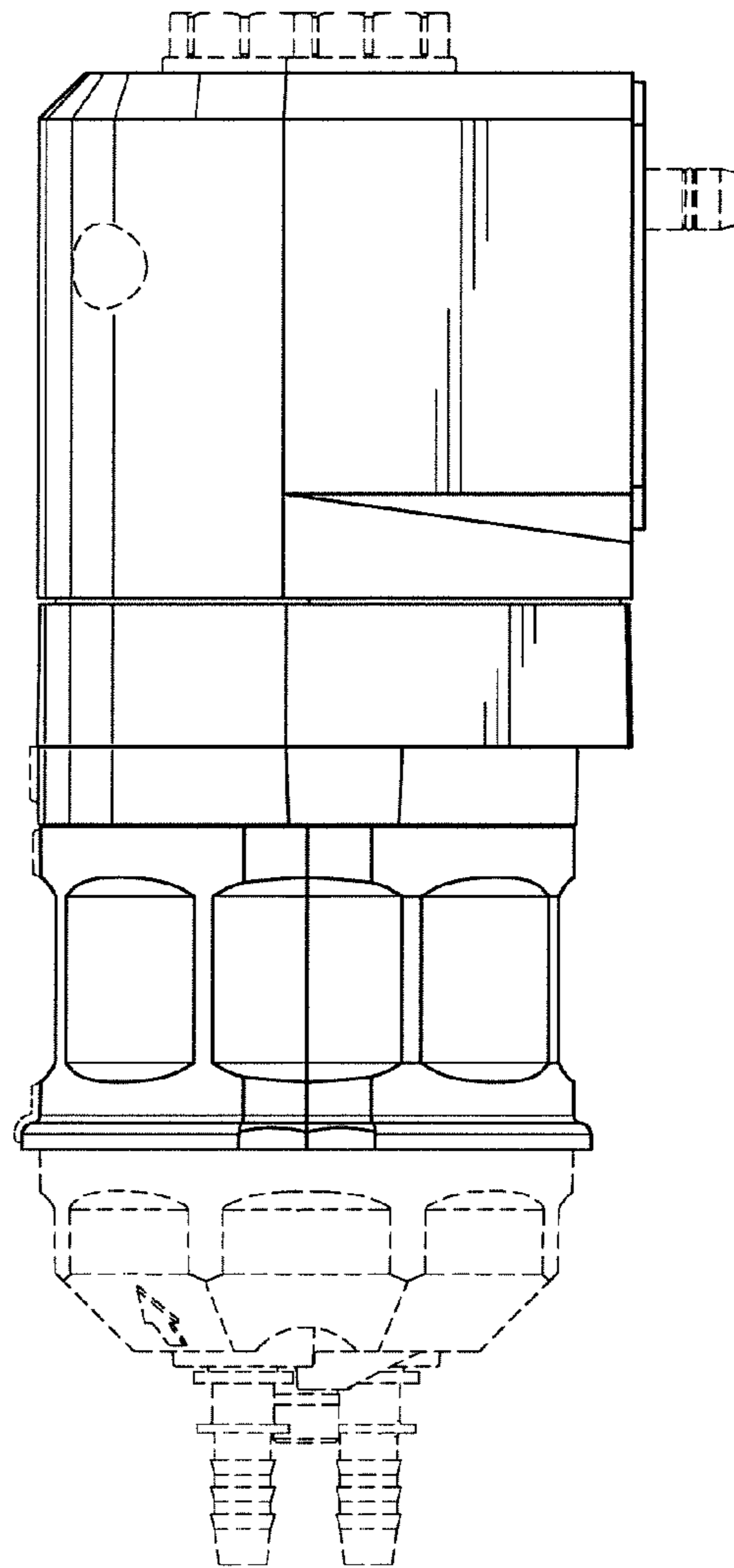


FIG. 3

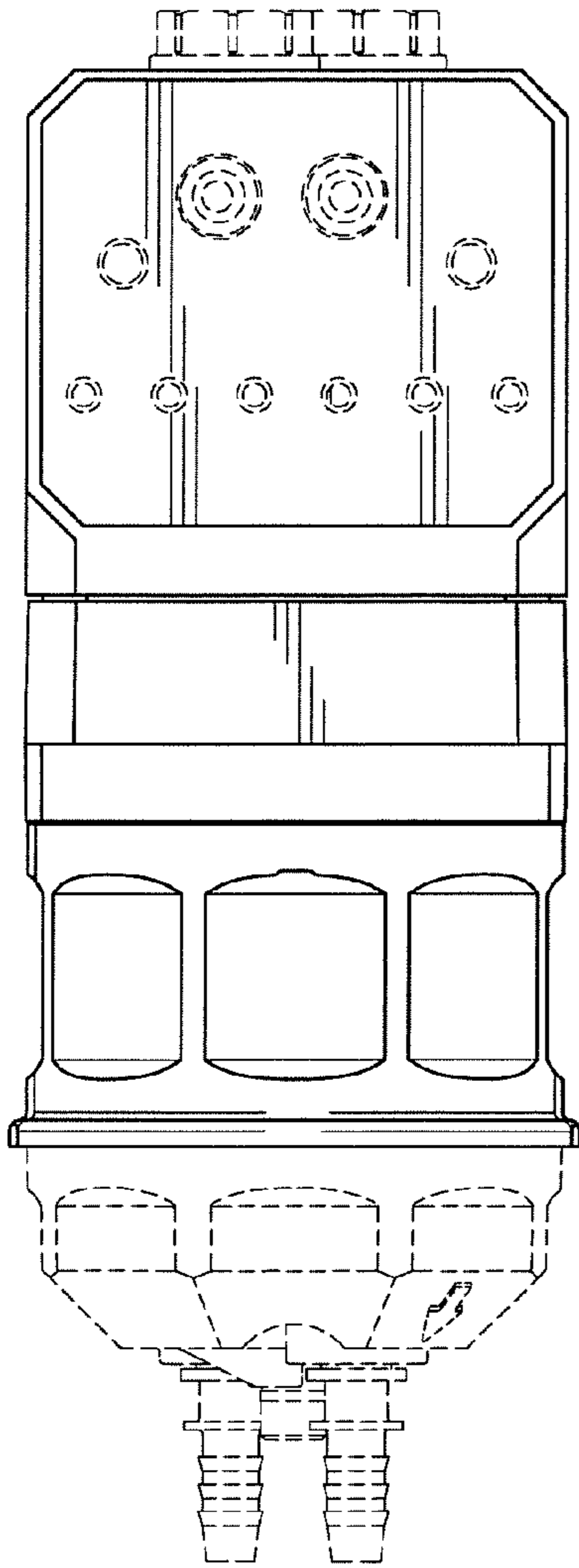


FIG. 4

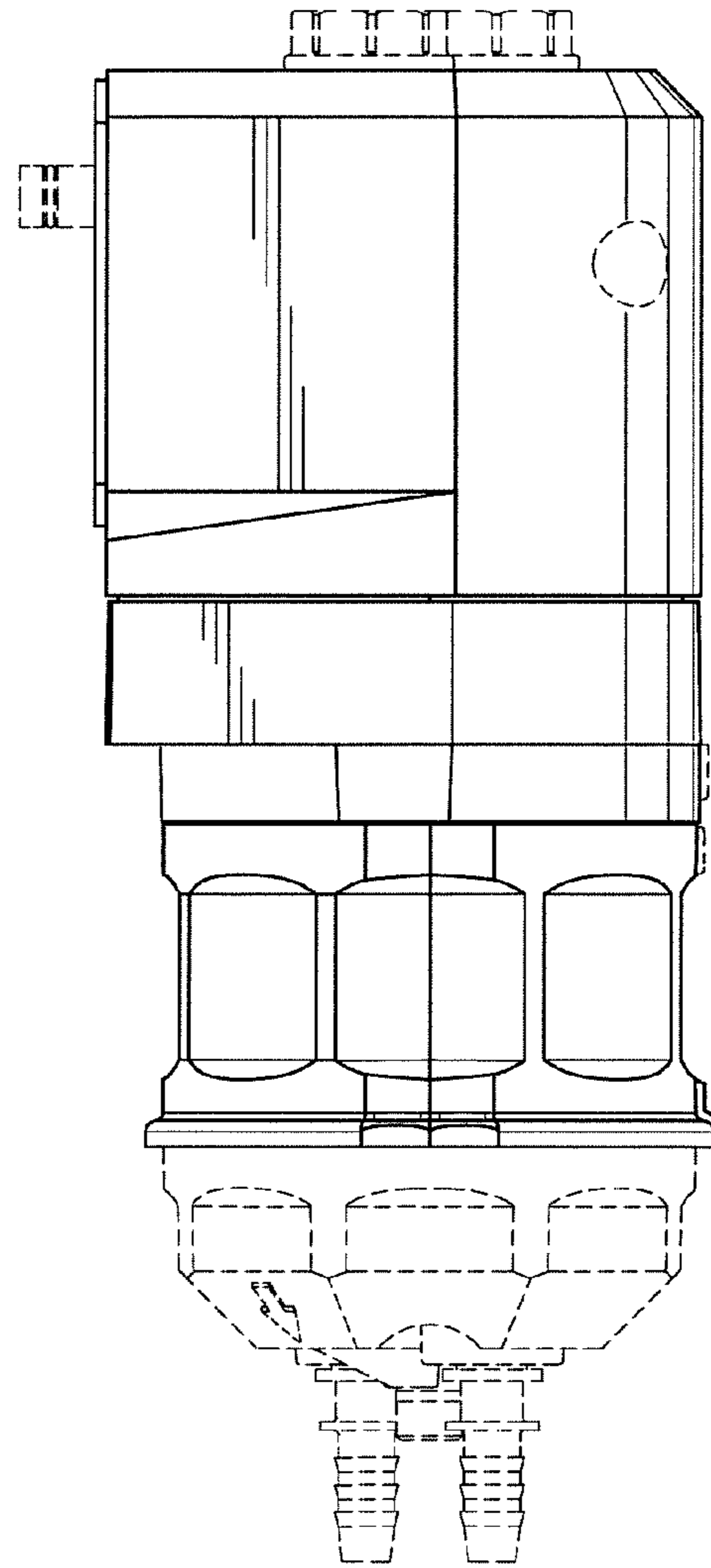


FIG. 5

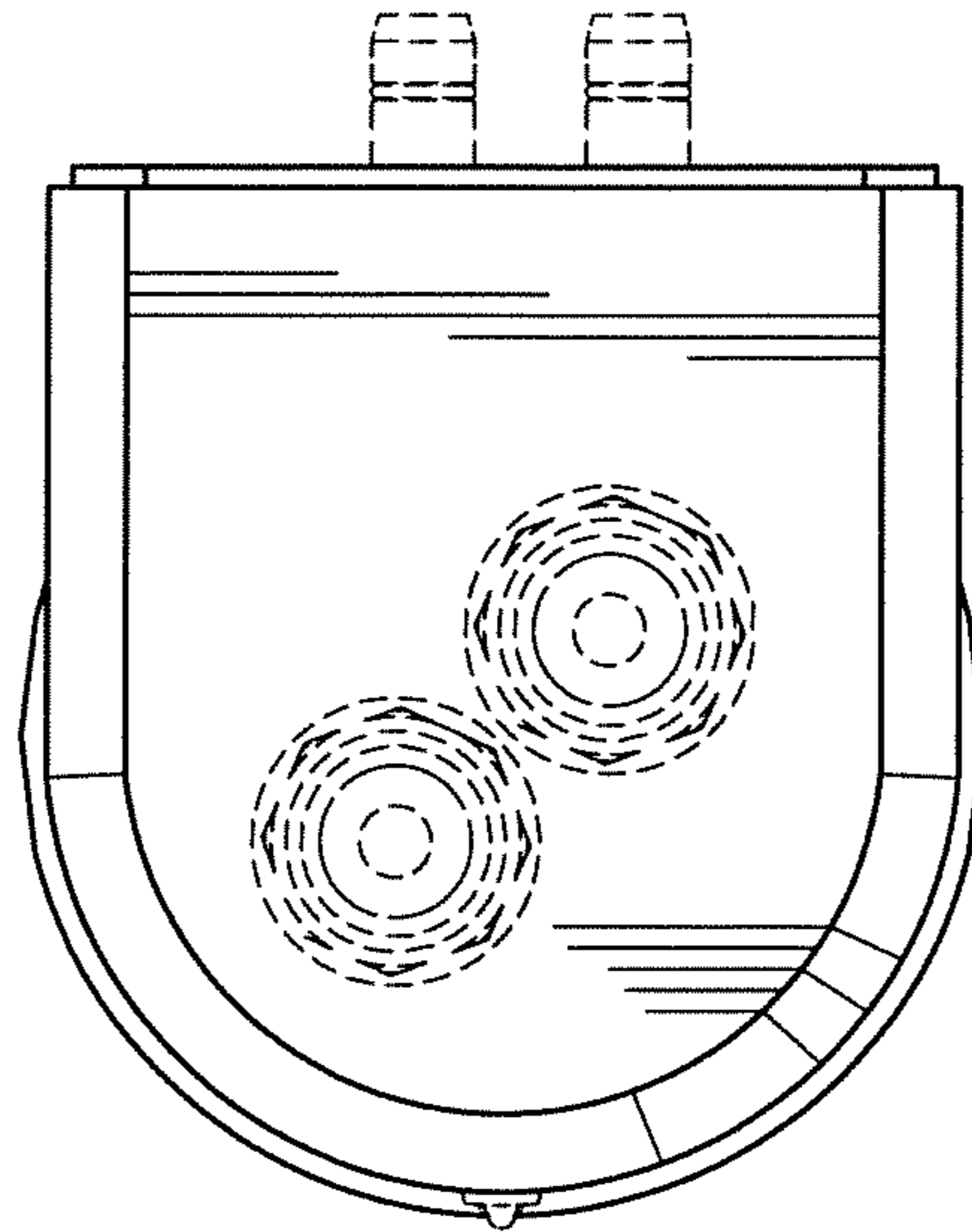


FIG. 6

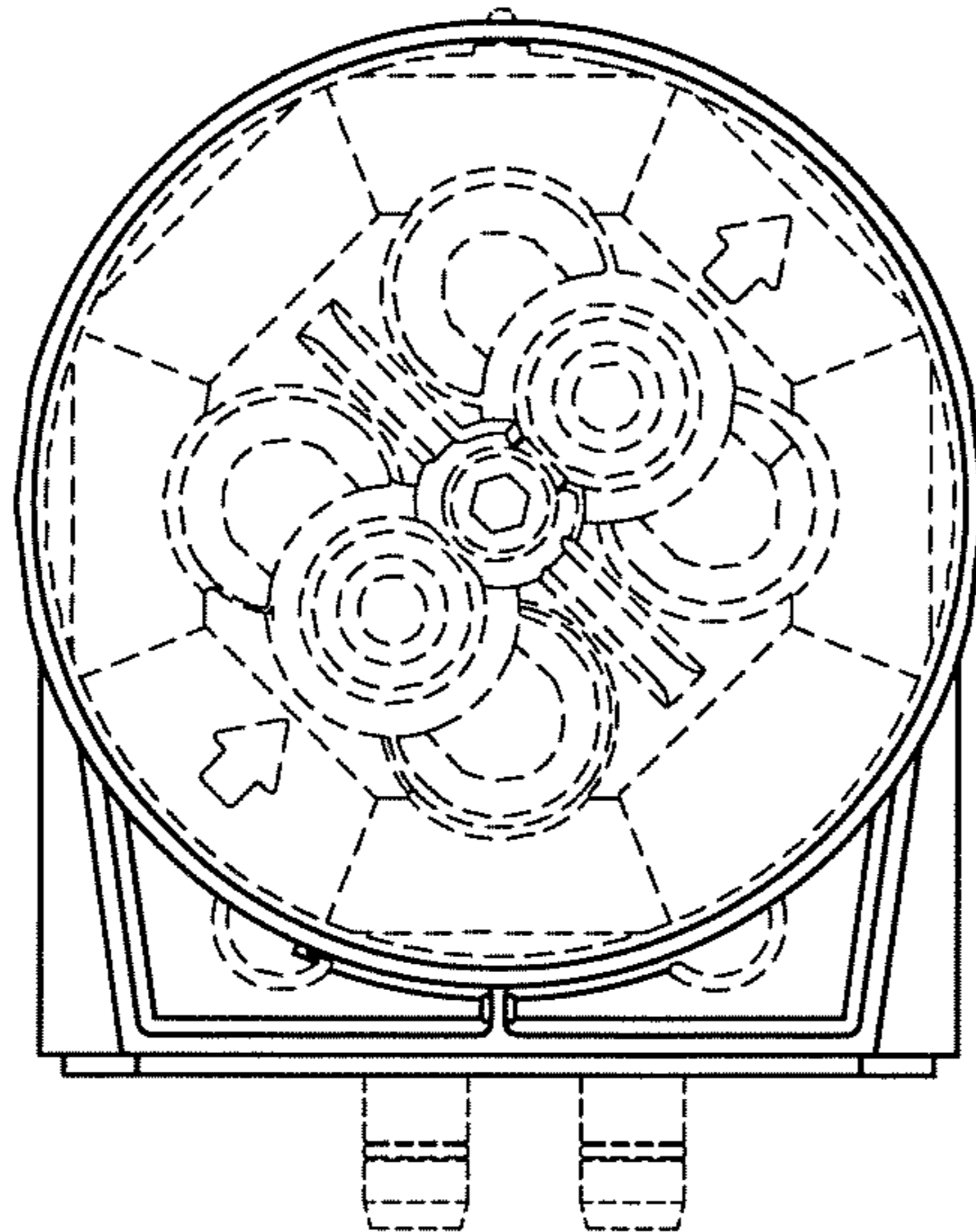


FIG. 7