



US00D696675S

(12) **United States Design Patent**
Delrue et al.

(10) **Patent No.:** **US D696,675 S**
(45) **Date of Patent:** **** Dec. 31, 2013**

(54) **MULTI POSITION STAND**
(71) Applicants: **Valentin Delrue**, Sainghin en Melantois (FR); **Sébastien Moreau**, Lille (FR)
(72) Inventors: **Valentin Delrue**, Sainghin en Melantois (FR); **Sébastien Moreau**, Lille (FR)
(73) Assignee: **Bigben Interactive SA**, Lesquin (FR)
(**) Term: **14 Years**

(21) Appl. No.: **29/458,435**
(22) Filed: **Jun. 19, 2013**

(30) **Foreign Application Priority Data**
Dec. 20, 2012 (EM) 002157099-0001
(51) **LOC (9) Cl.** **08-07**
(52) **U.S. Cl.**
USPC **D14/447**
(58) **Field of Classification Search**
USPC D14/447, 432, 434, 439, 448, 451, 452, D14/457, 239, 250, 251, 253, 238.1, 440, D14/205, 223, 224, 224.1, 229; D13/108; D6/406.1, 406.2, 406.3, 406.4, 406.5, D6/406.6, 601; 248/917-924, 363, 445, 248/447, 451, 455, 456, 460, 371, 166, 434, 248/188.6; 361/726, 679.02, 679.09, 361/679.21, 679.22, 679.26, 679.27, 361/679.29, 679.3, 679.55, 679.56; D21/333
See application file for complete search history.

(56) **References Cited**
U.S. PATENT DOCUMENTS
D549,709 S * 8/2007 Richter D14/447
D588,139 S * 3/2009 Fujino et al. D14/447

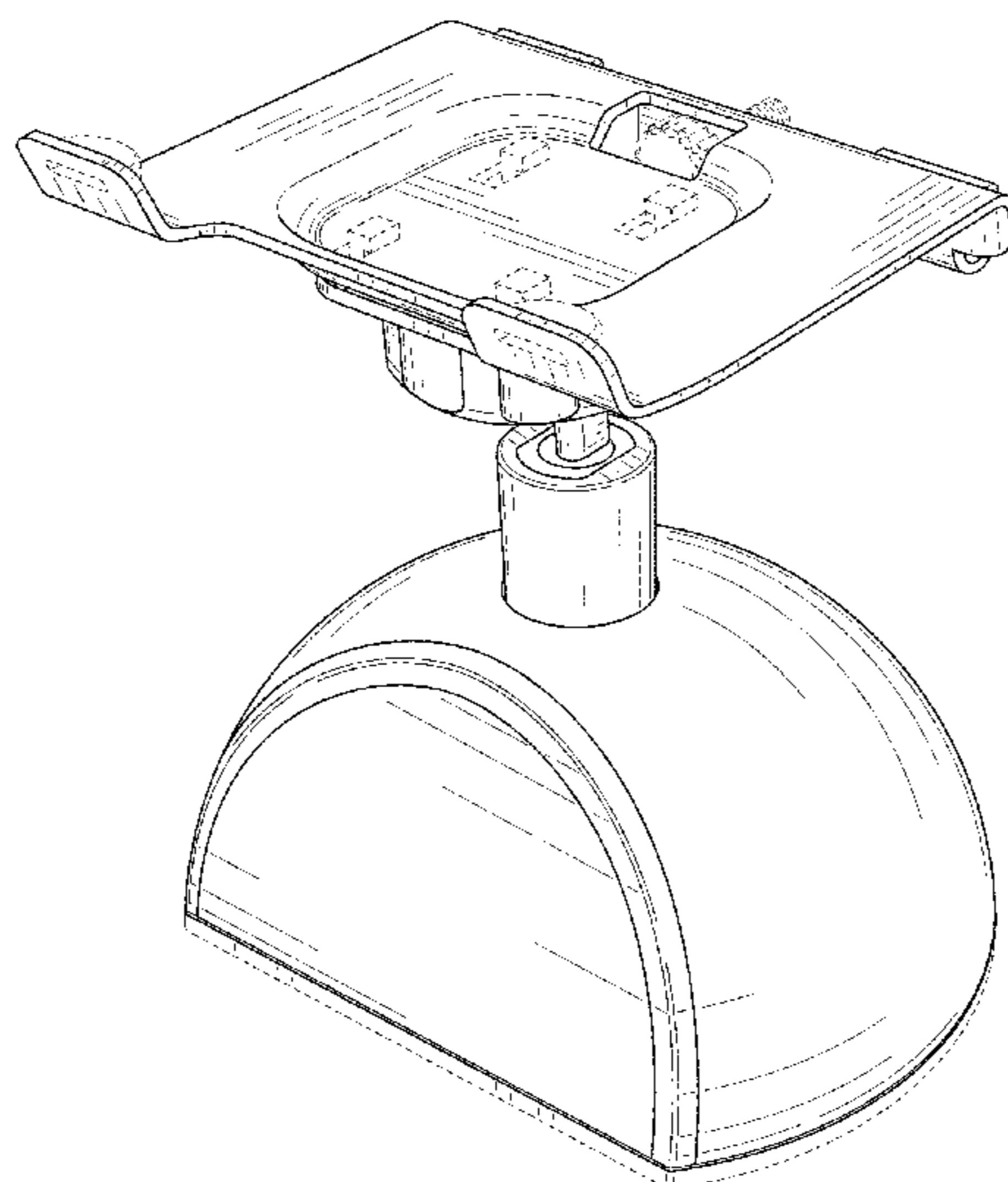
D589,962 S * 4/2009 Maruyama et al. D14/432
D589,964 S * 4/2009 Heggland et al. D14/434
D598,458 S * 8/2009 Li D14/451
D646,315 S * 10/2011 Orf D16/242
D654,081 S * 2/2012 Richter D14/452
D654,120 S * 2/2012 Lin D21/333
D656,555 S * 3/2012 Zenri et al. D21/333
D671,110 S * 11/2012 Choi D14/253
D674,805 S * 1/2013 Vincent D14/447
D677,261 S * 3/2013 Hsu et al. D14/447
2011/0147560 A1 * 6/2011 Camarillo 248/371
* cited by examiner

Primary Examiner — Angela J Lee
(74) *Attorney, Agent, or Firm* — Fross Zelnick Lehrman & Zissu, P.C.; Charles T. J. Weigell, Esq.

(57) **CLAIM**
The ornamental design for a multi position stand, as shown and described.

DESCRIPTION
FIG. 1 is a front perspective view of a stand showing my new design;
FIG. 2 is a front view of the stand shown in FIG. 1;
FIG. 3 is a rear view of the stand shown in FIG. 1;
FIG. 4 is a left side view of the stand shown in FIG. 1;
FIG. 5 is a right side view of the stand shown in FIG. 1;
FIG. 6 is a top view of the stand shown in FIG. 1;
FIG. 7 is a bottom view of the stand shown in FIG. 1; and,
FIG. 8 is a front perspective view of the stand shown in FIG. 1 shown supporting a gaming device.
The broken line showing of a gaming device in FIG. 8 is meant to illustrate possible use and forms no part of the claimed design.
The broken line showing of the screw, attachment points and mechanisms and base shows unclaimed subject matter for the design in those drawings.

1 Claim, 7 Drawing Sheets



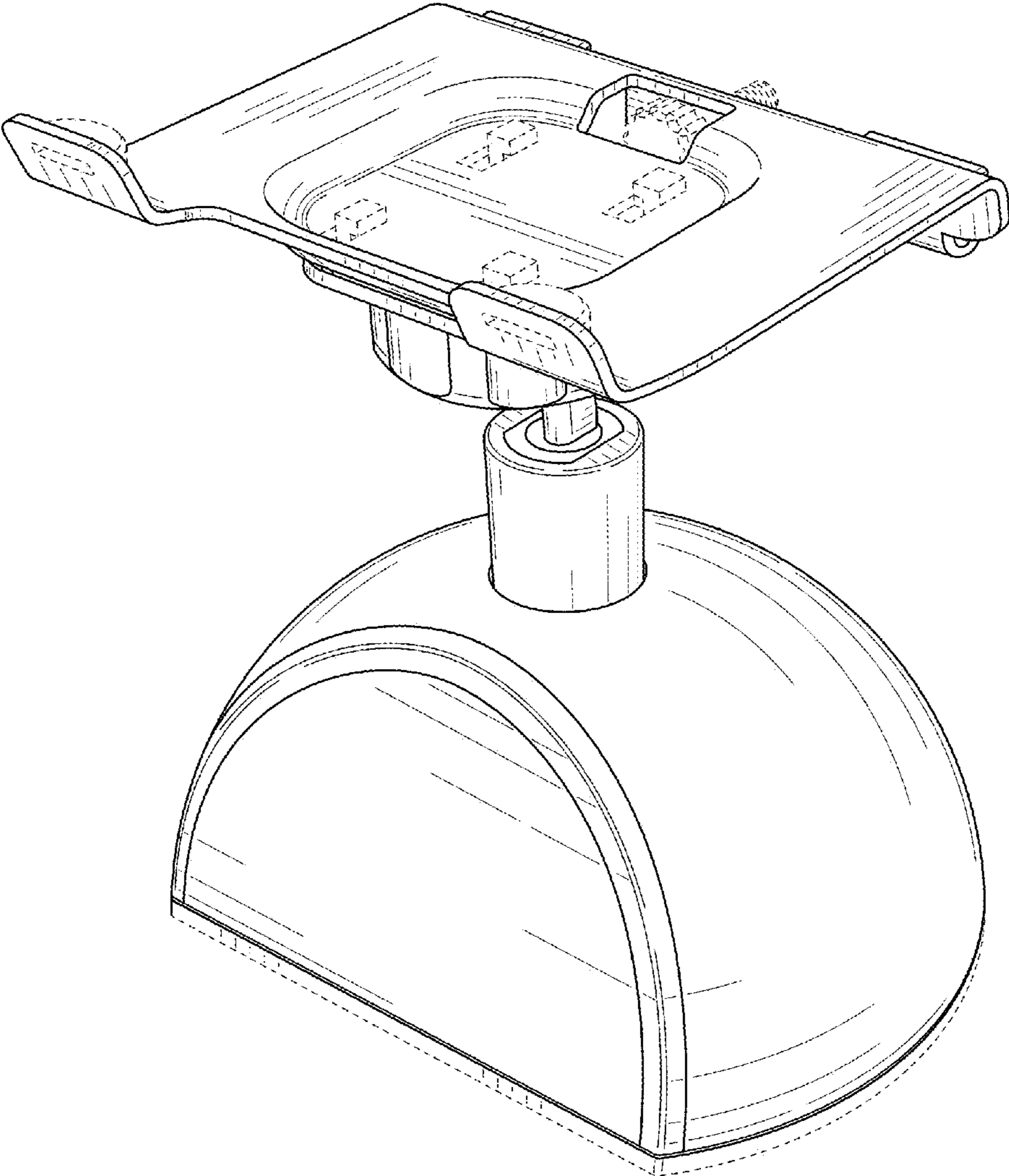


FIG. 1

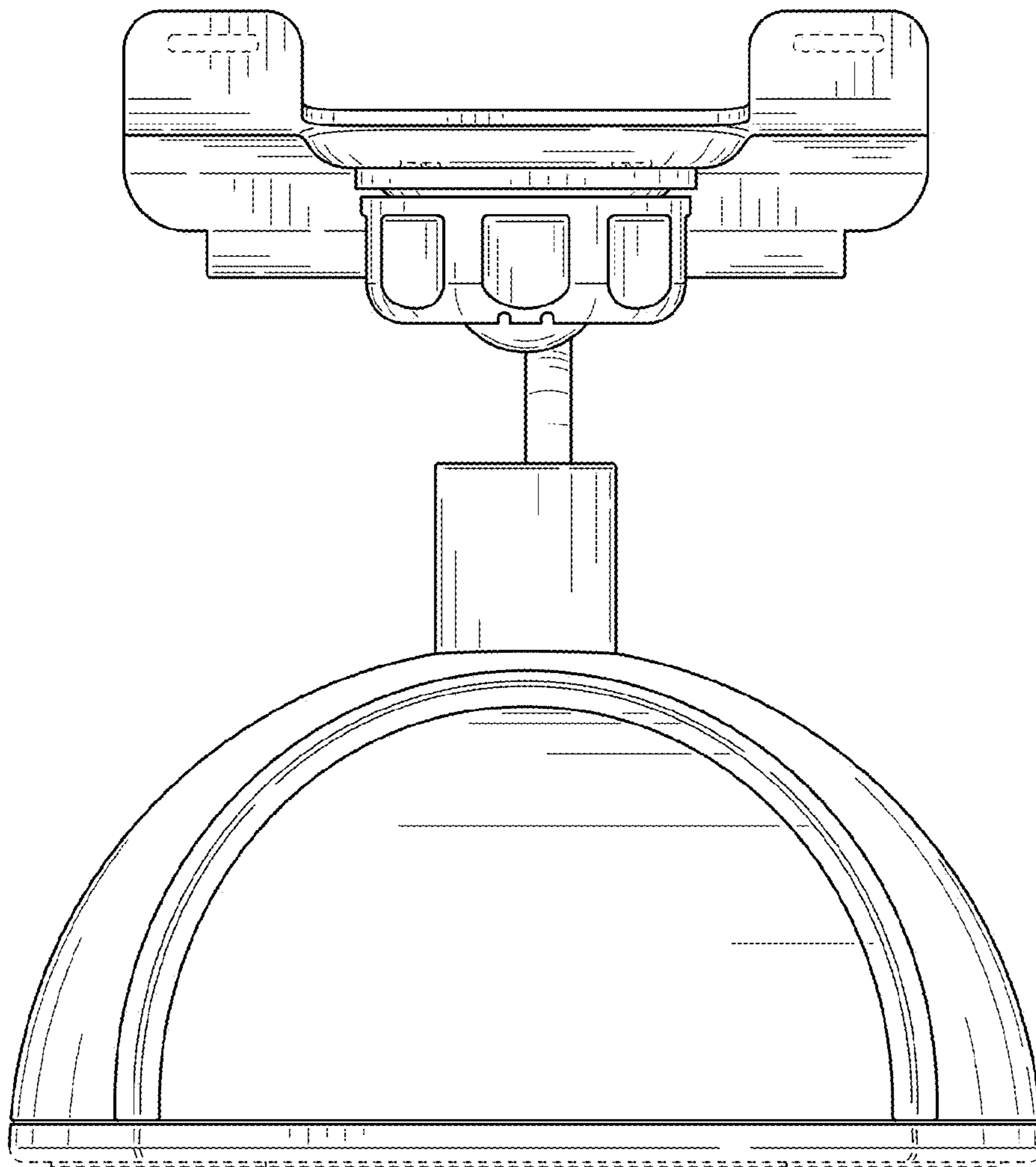


FIG. 2

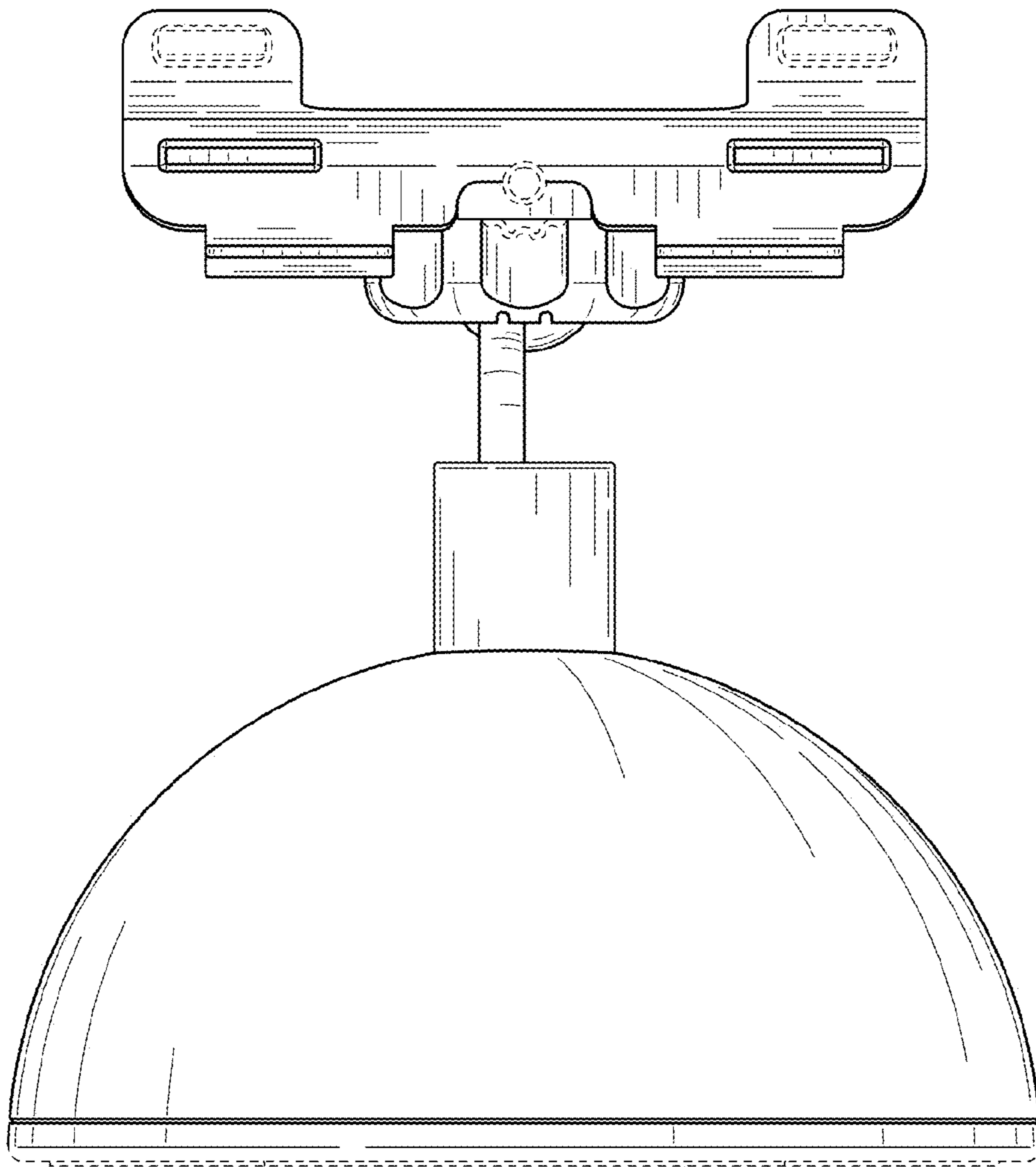


FIG. 3

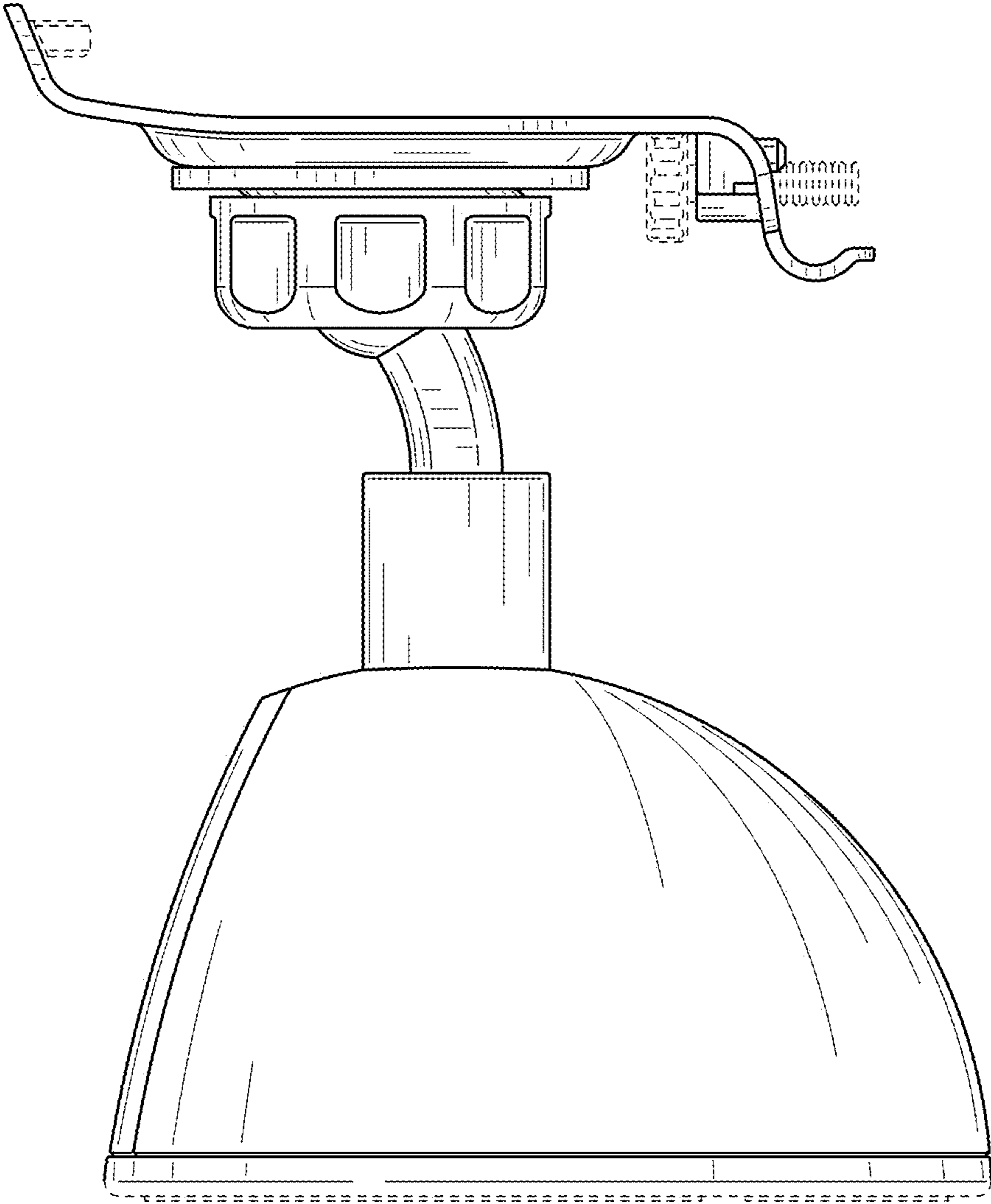


FIG. 4

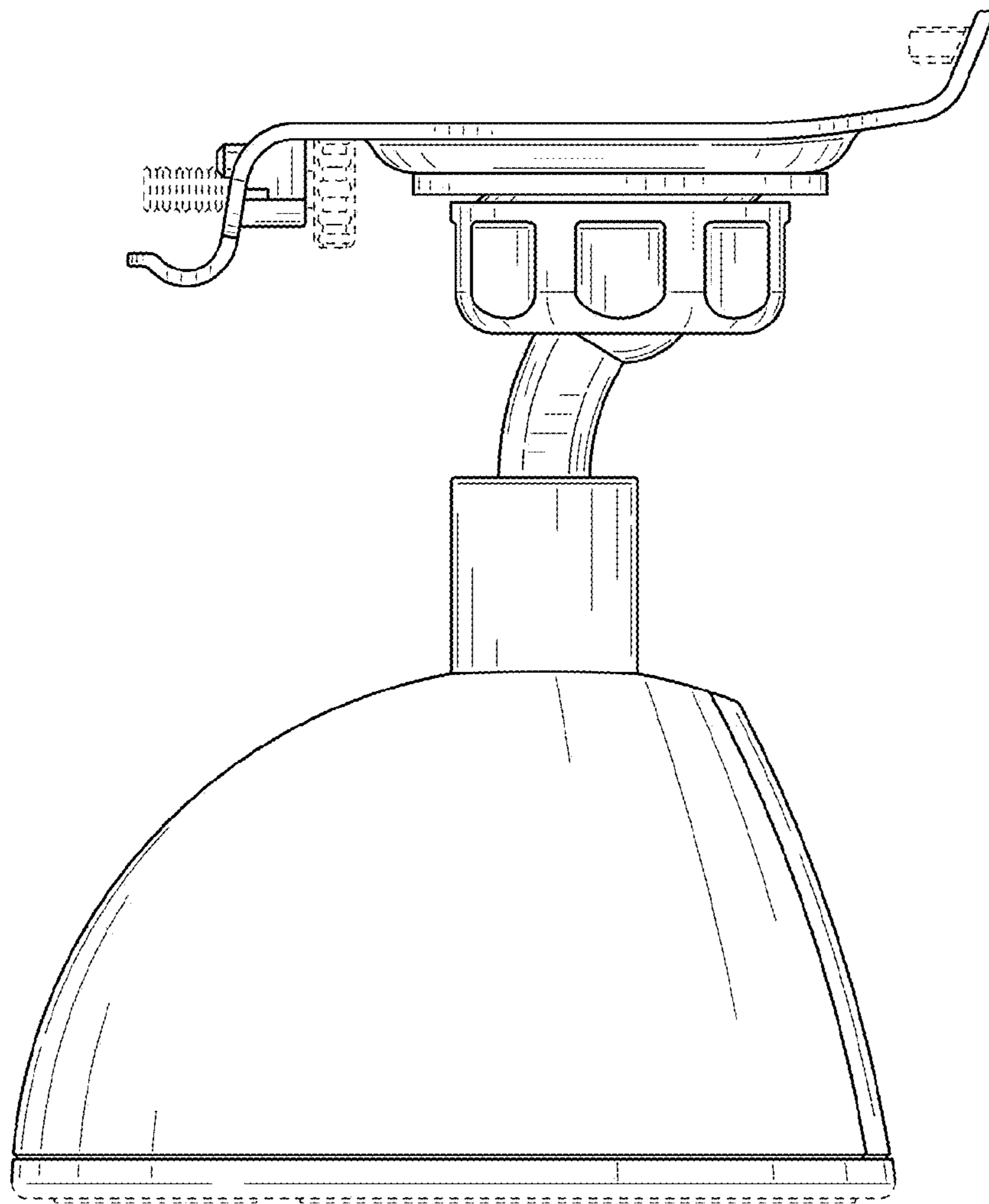


FIG. 5

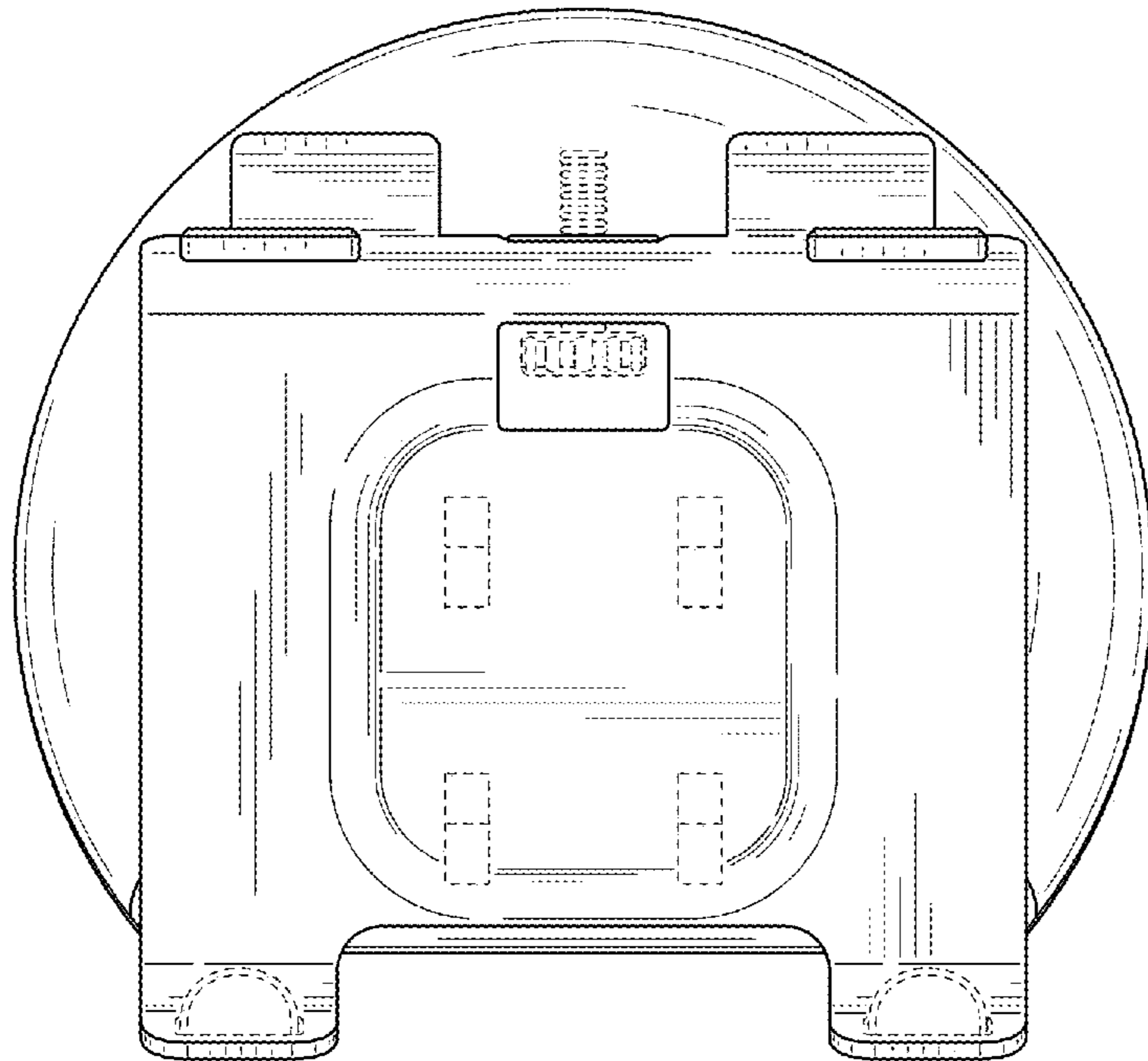


FIG. 6

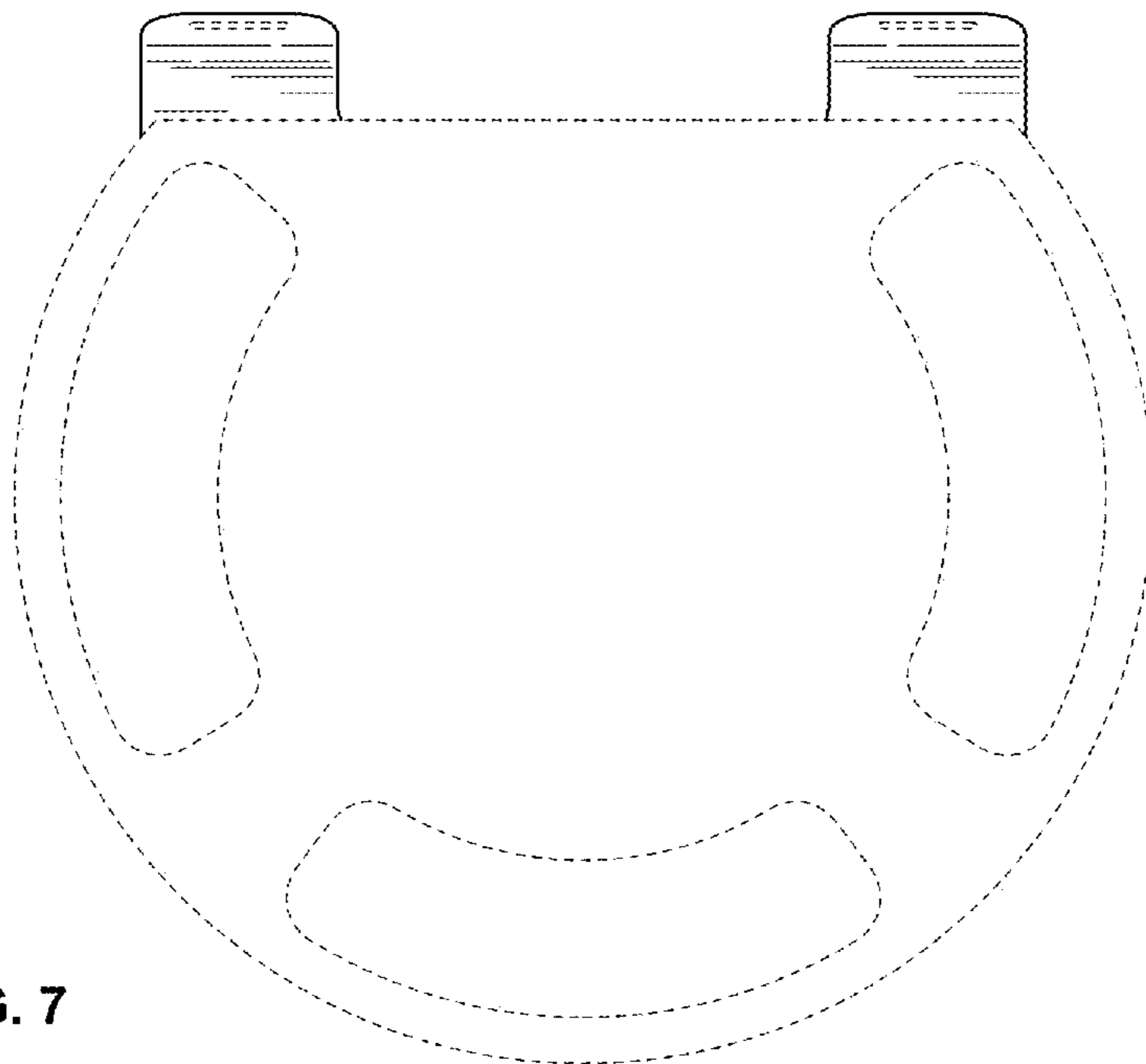


FIG. 7

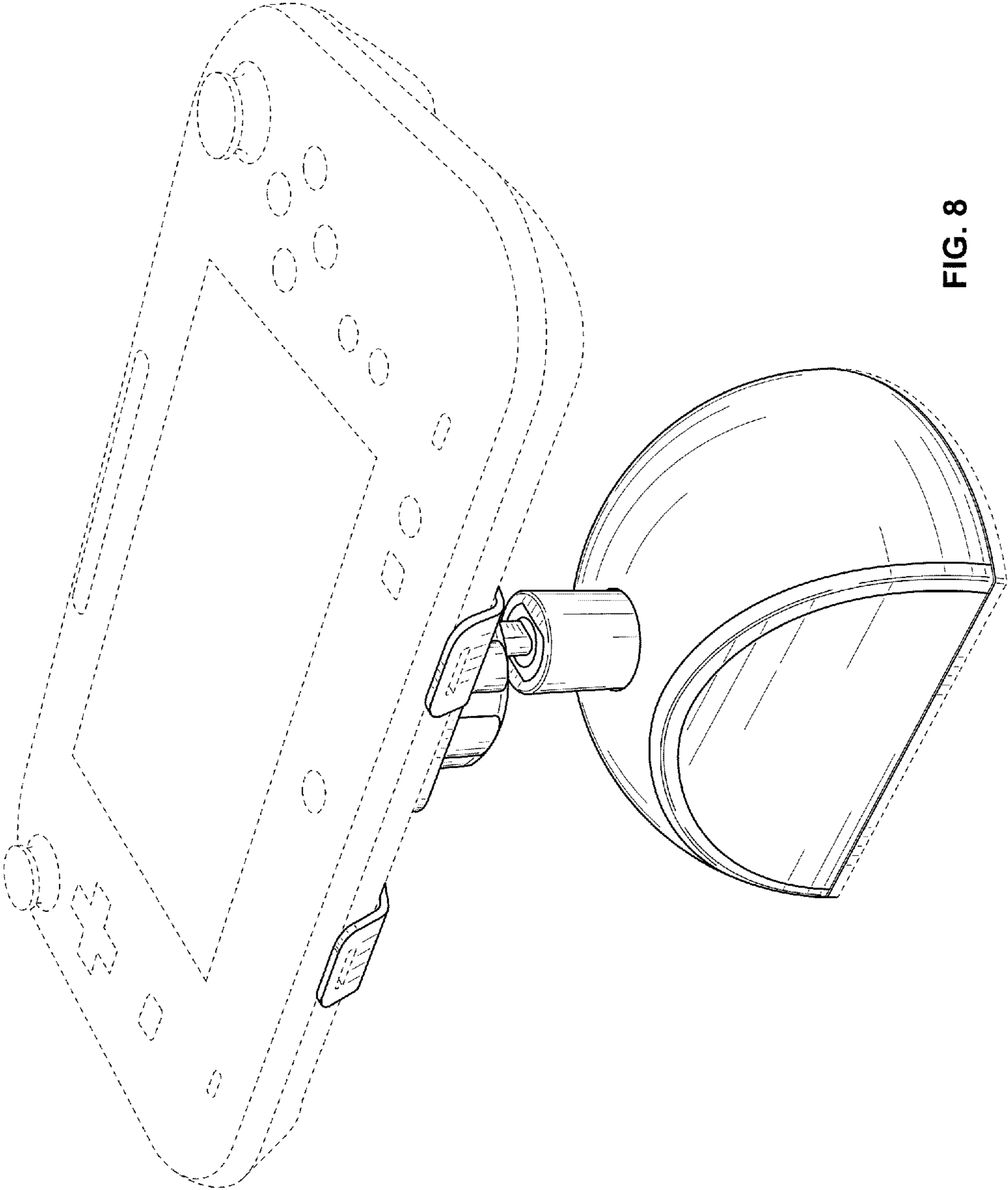


FIG. 8