



US00D696673S

(12) **United States Design Patent**
Vogel

(10) **Patent No.:** **US D696,673 S**
(45) **Date of Patent:** **** Dec. 31, 2013**

- (54) **TABLET HOLDER**
- (71) Applicant: **Nite Ize, Inc.**, Boulder, CO (US)
- (72) Inventor: **Frank Vogel**, Boulder, CO (US)
- (73) Assignee: **Nite Ize, Inc.**, Boulder, CO (US)
- (**) Term: **14 Years**
- (21) Appl. No.: **29/443,172**
- (22) Filed: **Jan. 14, 2013**
- (51) **LOC (9) Cl.** **08-07**
- (52) **U.S. Cl.**
USPC **D14/447**
- (58) **Field of Classification Search**
USPC D14/432, 433, 434, 439, 440, 451, 452,
D14/239, 217, 224.1, 251, 252, 253, 457,
D14/458, 459, 460, 461; D6/406.1, 406.2,
D6/406.3, 406.4, 406.5, 406.6;
361/679.06, 679.21, 679.22, 679.24,
361/679.26, 679.27, 679.28, 679.3, 679.55,
361/679.56, 709; 248/917-924, 133, 136,
248/139, 150, 176.1, 188.6; D13/108, 110
See application file for complete search history.

(56) **References Cited**

U.S. PATENT DOCUMENTS

687,183	A	11/1901	Kolander	
2,332,504	A	10/1943	Brenner	
3,695,651	A	10/1972	Stuck	
4,016,583	A	4/1977	Yeates	
D361,671	S *	8/1995	Sharpe	D6/323
D374,596	S *	10/1996	Delchev	D14/483
5,575,597	A	11/1996	Bailey et al.	
5,681,981	A	10/1997	McMurtry	
D390,709	S *	2/1998	Moore	D6/323
5,769,369	A	6/1998	Meinel	
6,209,830	B1	4/2001	Brotz	

6,350,076	B1	2/2002	Wagner et al.	
6,352,228	B1	3/2002	Buerklin	
6,585,201	B1	7/2003	Reed	
6,729,778	B1	5/2004	Wu et al.	
7,163,181	B2	1/2007	Omps	
7,246,781	B2	7/2007	Nam	
D578,868	S *	10/2008	Ramakers et al.	D8/354
7,475,858	B2	1/2009	Kalis et al.	
D588,602	S	3/2009	Chao et al.	
D590,696	S *	4/2009	Carnevali	D8/354
7,621,492	B2	11/2009	Omps	
D607,844	S	1/2010	Feldstein et al.	
7,686,287	B2	3/2010	Dixon et al.	
D613,291	S *	4/2010	Carver	D14/432
D628,578	S	12/2010	Chou et al.	
D629,405	S	12/2010	Crysell	
7,886,903	B1	2/2011	Wurzelbacher, Jr. et al.	
D633,902	S *	3/2011	Tokuno	D14/244

(Continued)

OTHER PUBLICATIONS

In the U.S. Patent and Trademark Office U.S. Appl. No. 13/485,894
Non-Final Office Action dated May 9, 2013, 8 pages.

Primary Examiner — Angela J Lee

(74) *Attorney, Agent, or Firm* — Patton Boggs LLP

(57) **CLAIM**

The ornamental design for a tablet holder, as shown and described.

DESCRIPTION

This application claims priority to U.S. patent application No. 13/485,894 filed on May 31, 2012.

FIG. 1 is a front view of a tablet holder (the front, left, right, and rear views are mirror images);

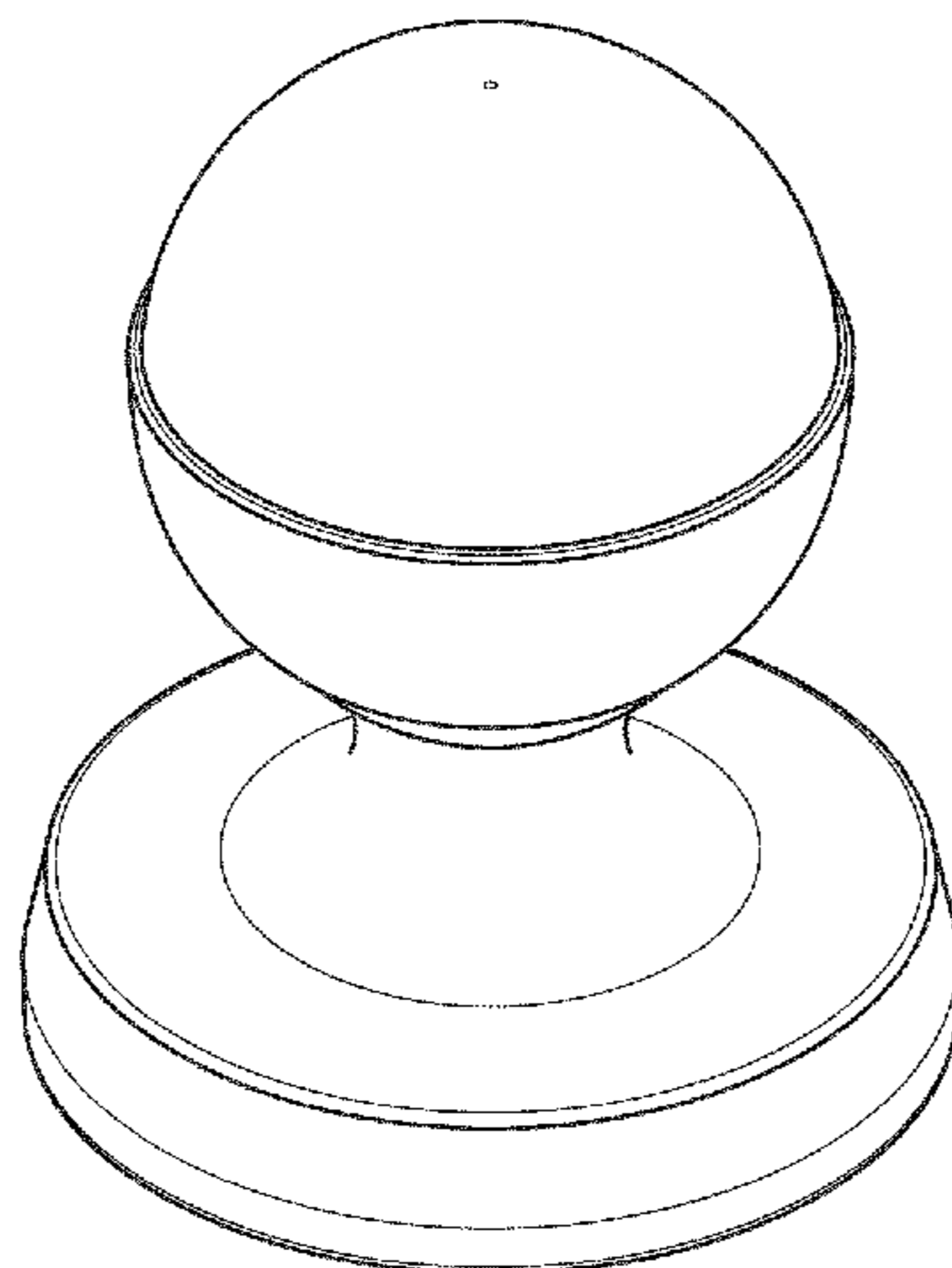
FIG. 2 is a top view of the tablet holder of FIG. 1;

FIG. 3 is a bottom view of the tablet holder of FIG. 1; and,

FIG. 4 is a front perspective view of the tablet holder of FIG. 1.

1.

1 Claim, 2 Drawing Sheets



(56)

References Cited

U.S. PATENT DOCUMENTS

D657,783 S *	4/2012	Mo	D14/251	2004/0188576 A1	9/2004	Carnevali
8,176,927 B2	5/2012	Wu			2005/0045779 A1	3/2005	Nan
8,267,361 B1	9/2012	Dordick			2006/0000957 A1	1/2006	Carnevali
D670,704 S	11/2012	Barker			2007/0090241 A1	4/2007	Risse
D673,573 S *	1/2013	Skene et al.	D14/447	2008/0017764 A1 *	1/2008	Nan 248/133
8,366,064 B2	2/2013	Chen et al.			2009/0050758 A1 *	2/2009	Carnevali 248/205.8
D681,420 S *	5/2013	Ileuov et al.	D8/354	2009/0238637 A1	9/2009	Spratte et al.
2002/0096956 A1	7/2002	Erten			2012/0075799 A1 *	3/2012	Pollex 361/679.56
					2012/0118770 A1	5/2012	Valls et al.
					2012/0175474 A1	7/2012	Barnard et al.

* cited by examiner

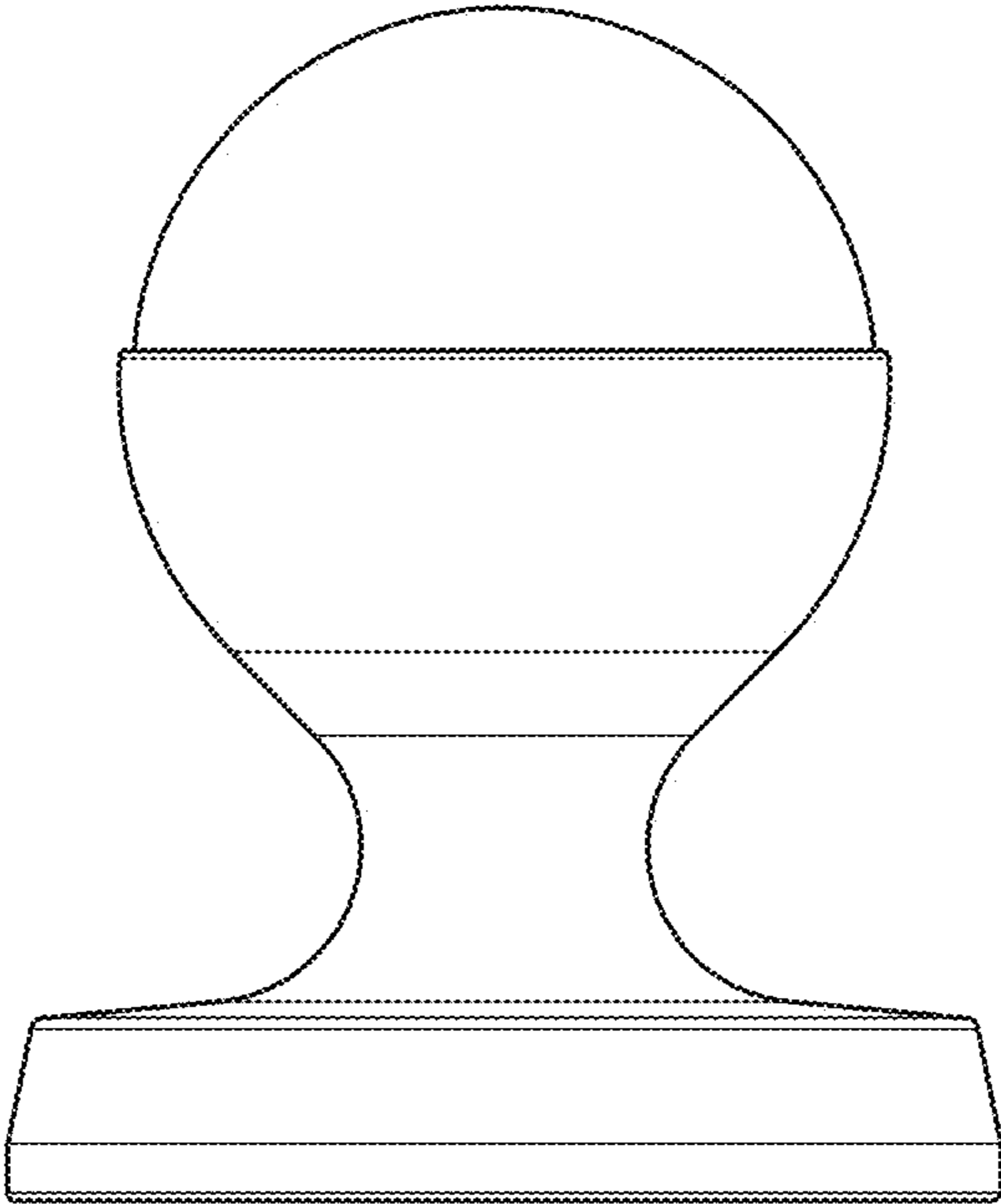


FIG. 1

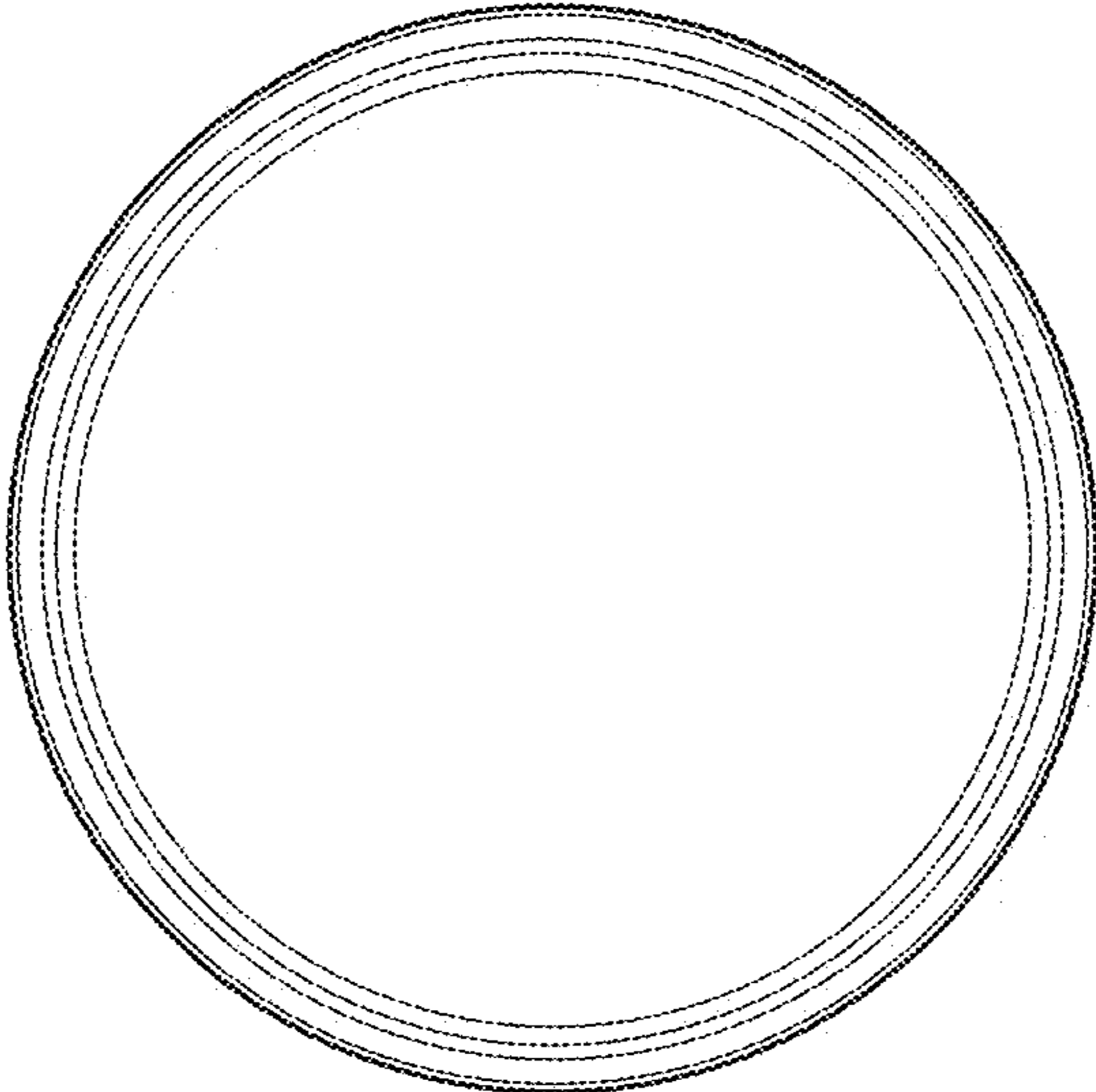


FIG. 2

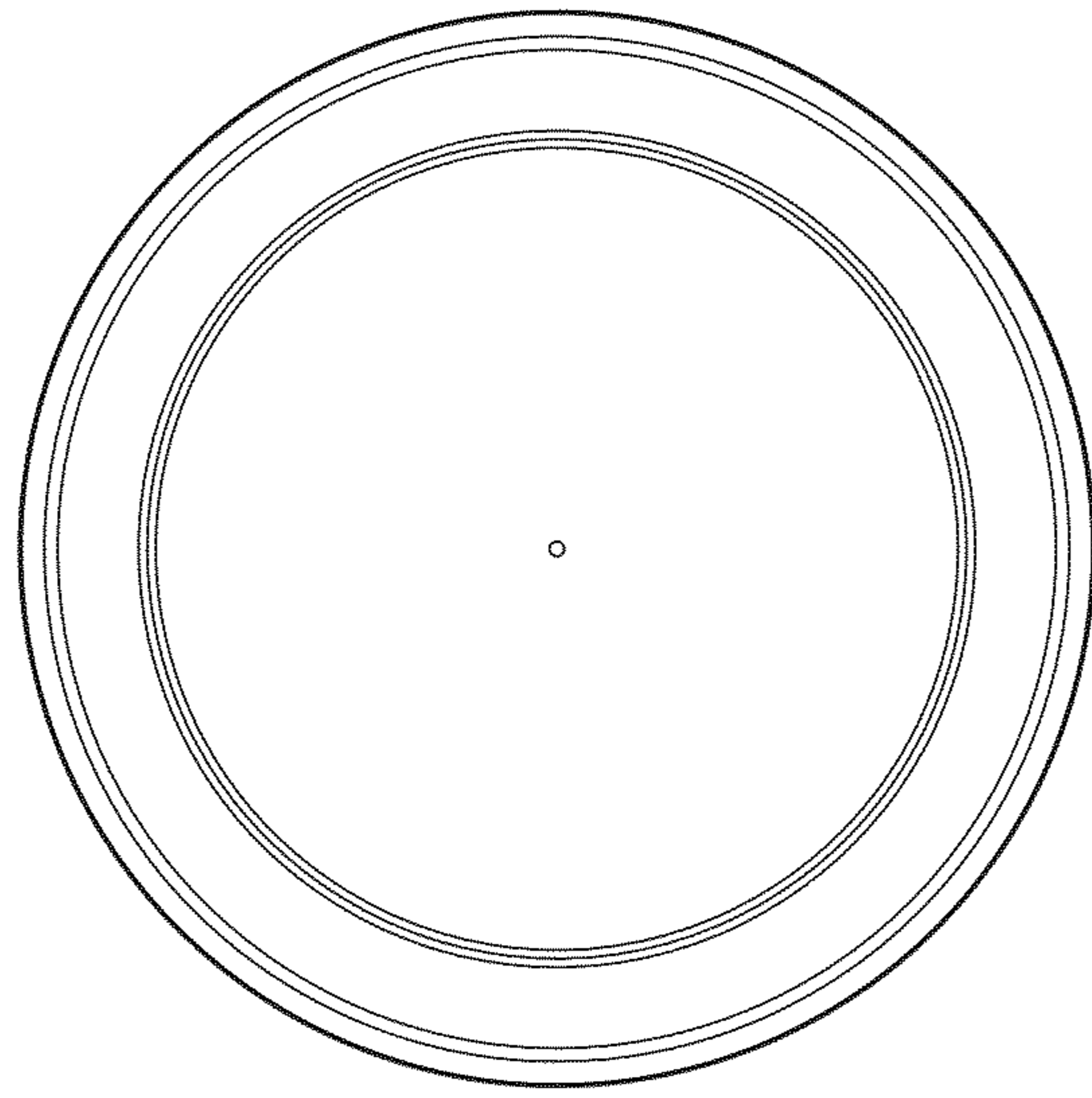


FIG. 3

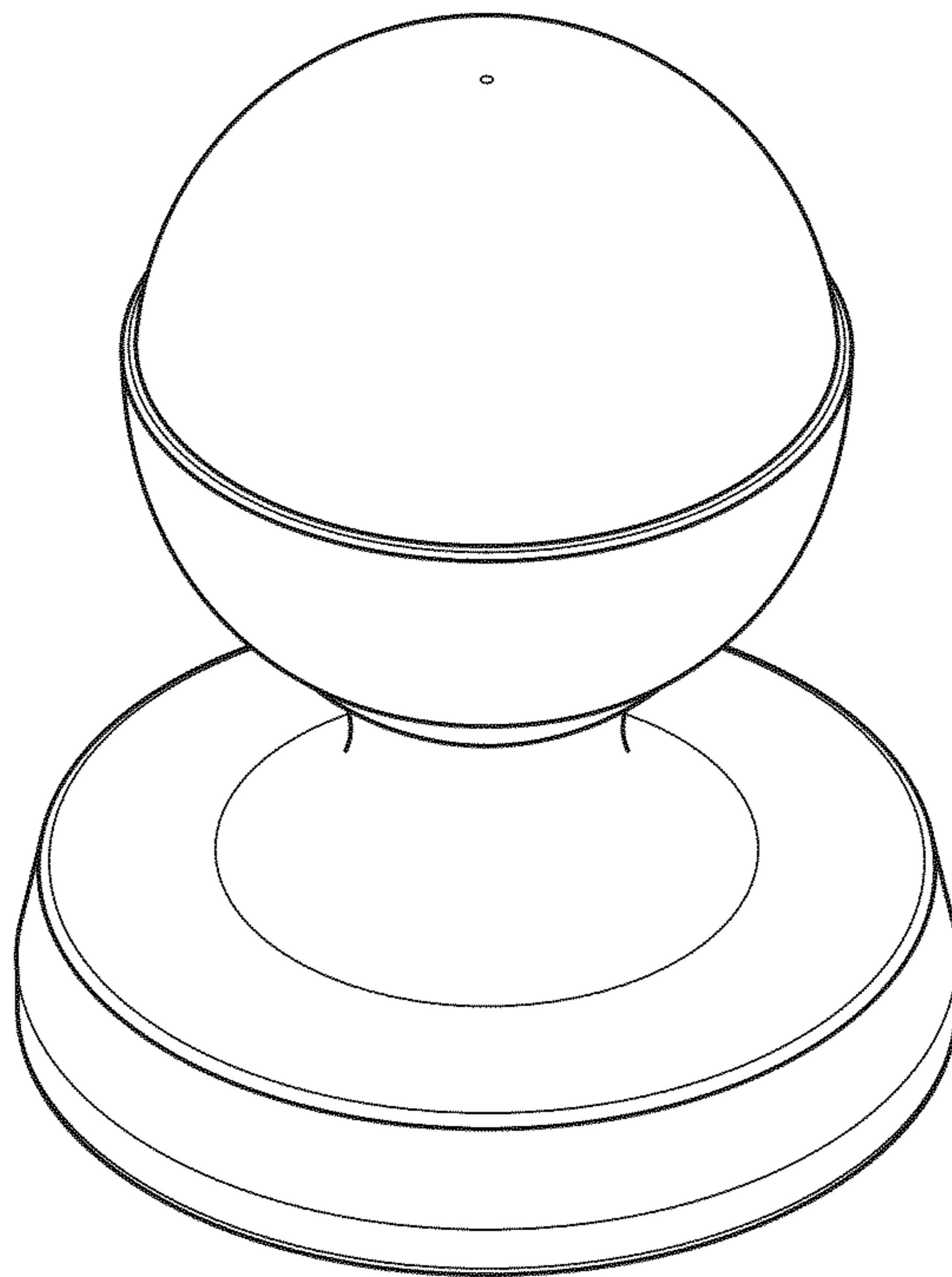


FIG. 4