



US00D696672S

(12) **United States Design Patent**
Brittain et al.

(10) **Patent No.:** **US D696,672 S**

(45) **Date of Patent:** **** Dec. 31, 2013**

(54) **PERSONAL ELECTRONIC DEVICE CRADLE**

(71) Applicants: **Daniel Kirk Brittain**, Hickory, NC
(US); **John Preston Anthony**, Charlotte,
NC (US); **Sidney Gaines Cash**, Winter
Park, FL (US)

(72) Inventors: **Daniel Kirk Brittain**, Hickory, NC
(US); **John Preston Anthony**, Charlotte,
NC (US); **Sidney Gaines Cash**, Winter
Park, FL (US)

(**) Term: **14 Years**

(21) Appl. No.: **29/437,895**

(22) Filed: **Nov. 21, 2012**

(51) **LOC (9) Cl.** **08-07**

(52) **U.S. Cl.**
USPC **D14/447**

(58) **Field of Classification Search**
USPC D14/432, 433, 434, 439, 440, 451, 452,
D14/239, 217, 224.1, 251, 252, 253, 457,
D14/458, 459, 460, 461; D6/406.1, 406.2,
D6/406.3, 406.4, 406.5, 406.6;
361/679.06, 679.21, 679.22, 679.24,
361/679.26, 679.27, 679.28, 679.3, 679.55,
361/679.56, 709; 248/917-924, 133, 136,
248/139, 150, 176.1, 188.6

See application file for complete search history.

(56) **References Cited**

U.S. PATENT DOCUMENTS

4,923,154 A * 5/1990 Konkell 248/131
D323,085 S * 1/1992 Konkell D6/466
D356,074 S * 3/1995 Coblantz et al. D14/457
D407,408 S * 3/1999 Hoff D14/253

D409,018 S * 5/1999 Deuschle D6/466
D454,136 S * 3/2002 Deuschle D14/447
D456,415 S * 4/2002 Deuschle D14/447
D468,733 S * 1/2003 Narducci et al. D14/253
D592,206 S * 5/2009 O'Brien D14/253
D603,322 S * 11/2009 Nicieja D12/415
D614,613 S * 4/2010 Kim et al. D14/253
D645,462 S * 9/2011 Choi D14/253
D674,397 S * 1/2013 Asher D14/447

* cited by examiner

Primary Examiner — Angela J Lee

(57) **CLAIM**

The ornamental design for a personal electronic device cradle, as shown and described.

DESCRIPTION

FIG. 1 shows a right side perspective view of an embodiment of the present invention.

FIG. 2 shows a right side perspective view of an embodiment of the present invention.

FIG. 3 shows a top down elevational view of an embodiment of the present invention.

FIG. 4 shows a bottom up elevational view of an embodiment of the present invention.

FIG. 5 shows a front side plan view of an embodiment of the present invention.

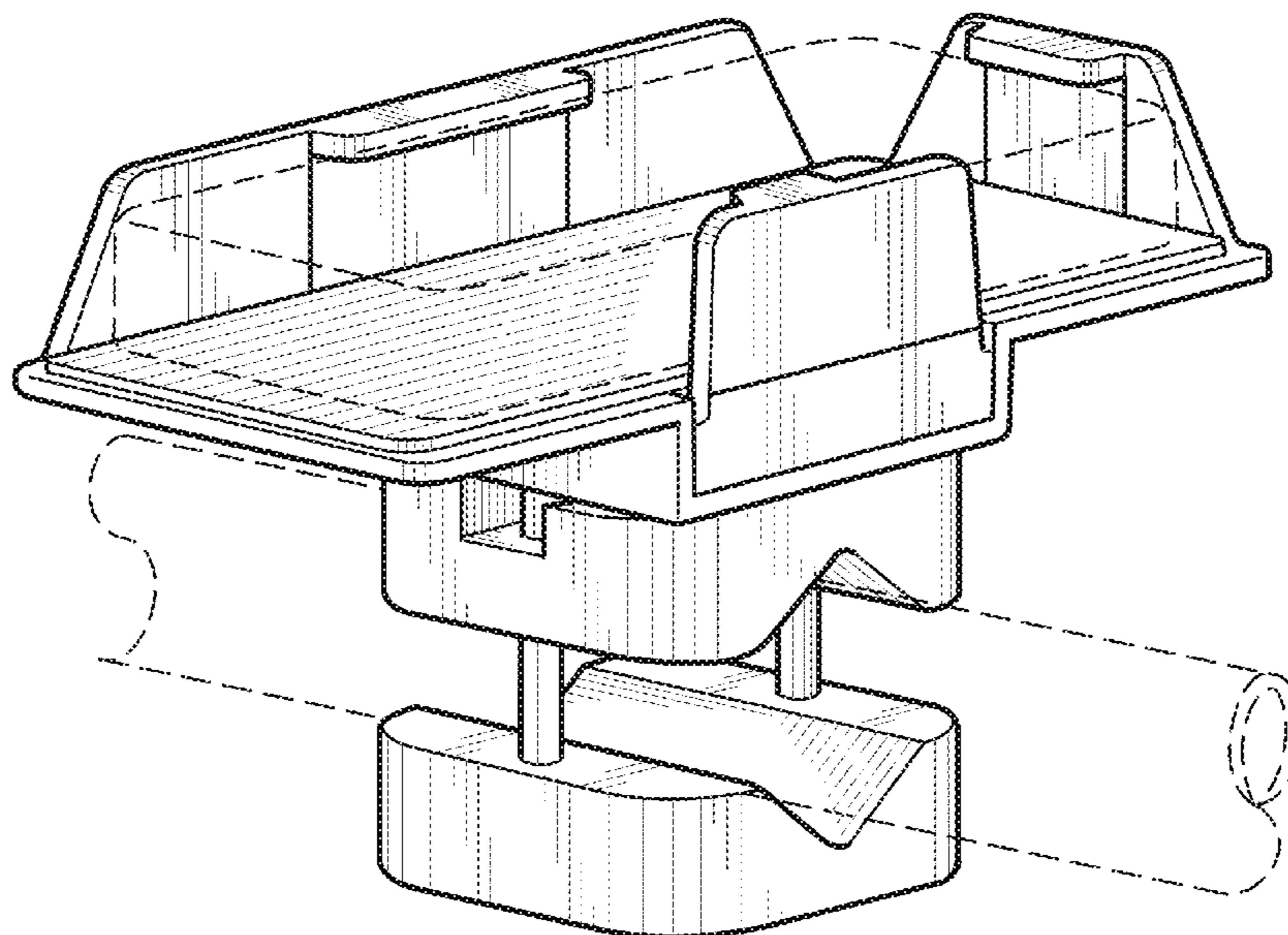
FIG. 6 shows a back side plan view of an embodiment of the present invention.

FIG. 7 shows a left side plan view an embodiment of the present invention; and,

FIG. 8 shows a right side plan view of an embodiment of the present invention.

The broken lines shown in the drawings form no part of the claimed design.

1 Claim, 5 Drawing Sheets



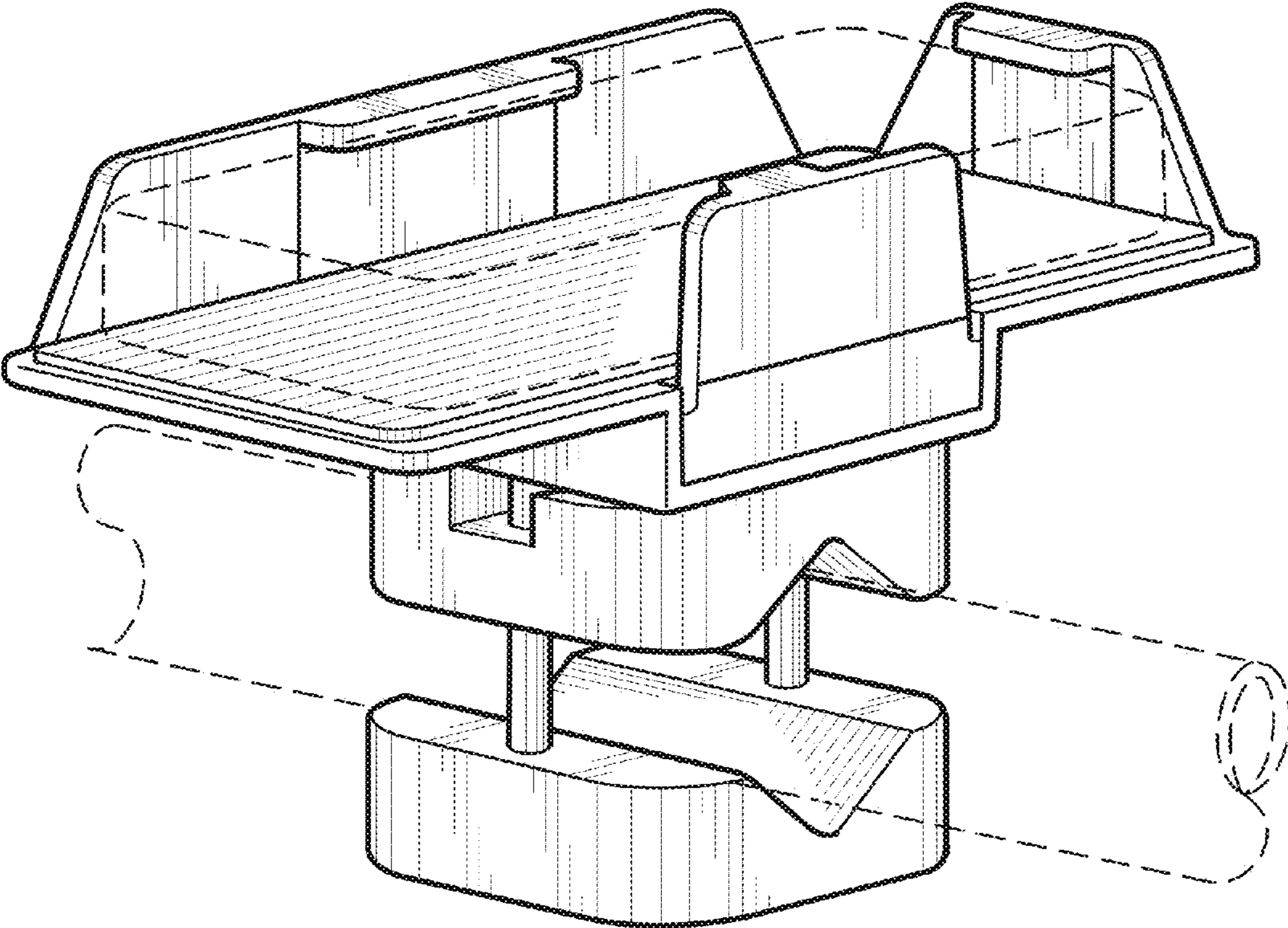


Fig. 1

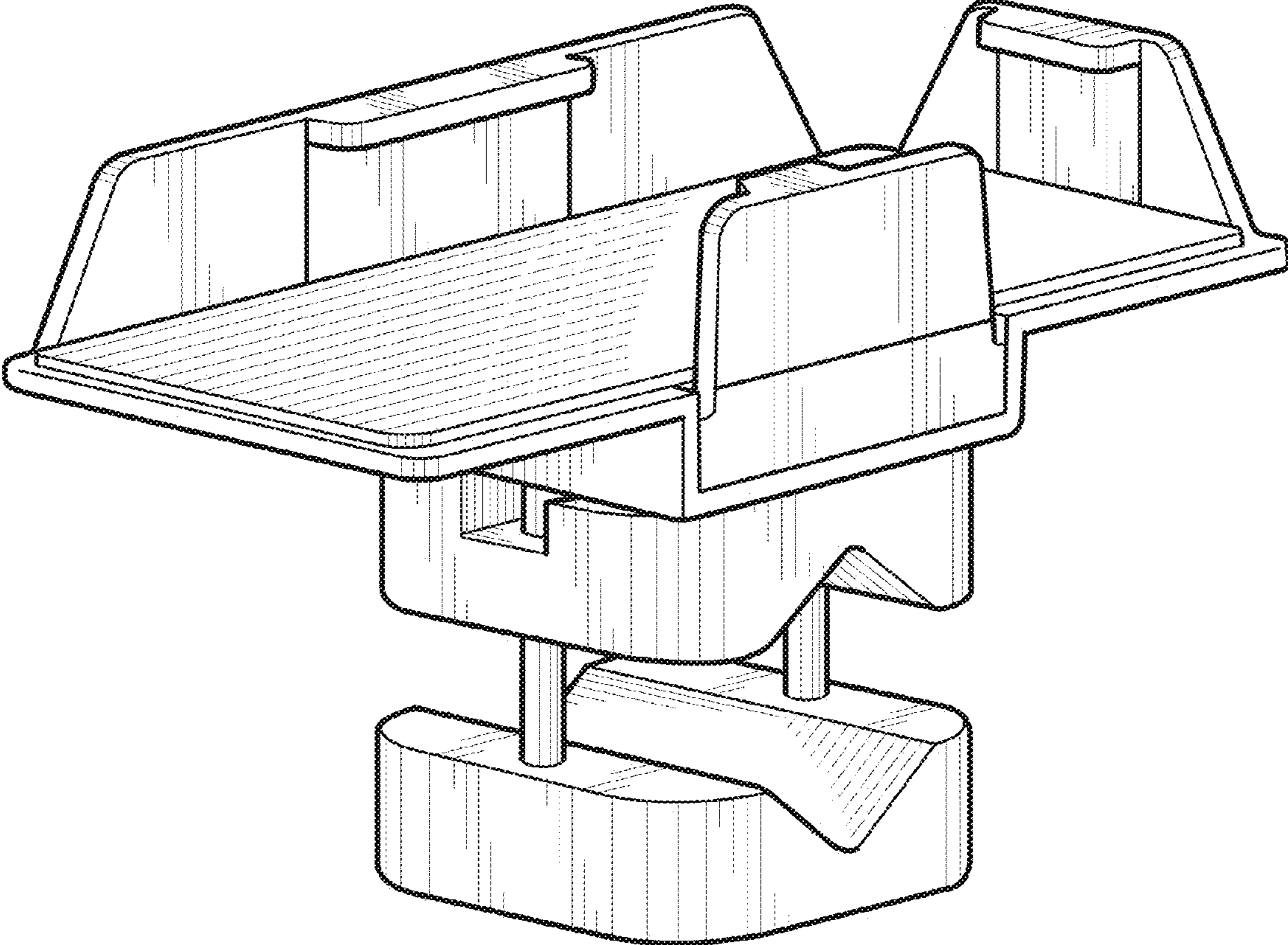


Fig. 2

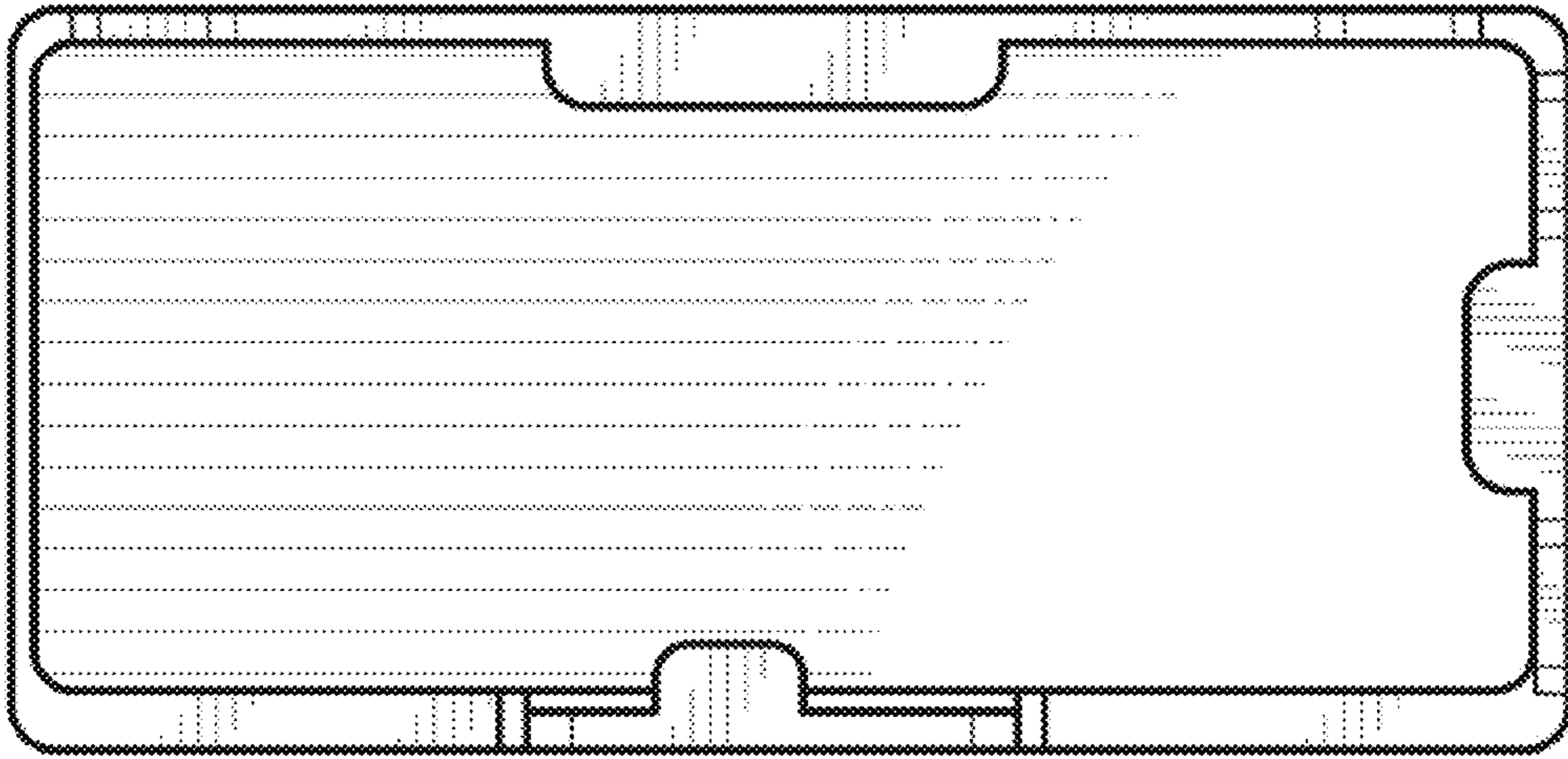


Fig. 3

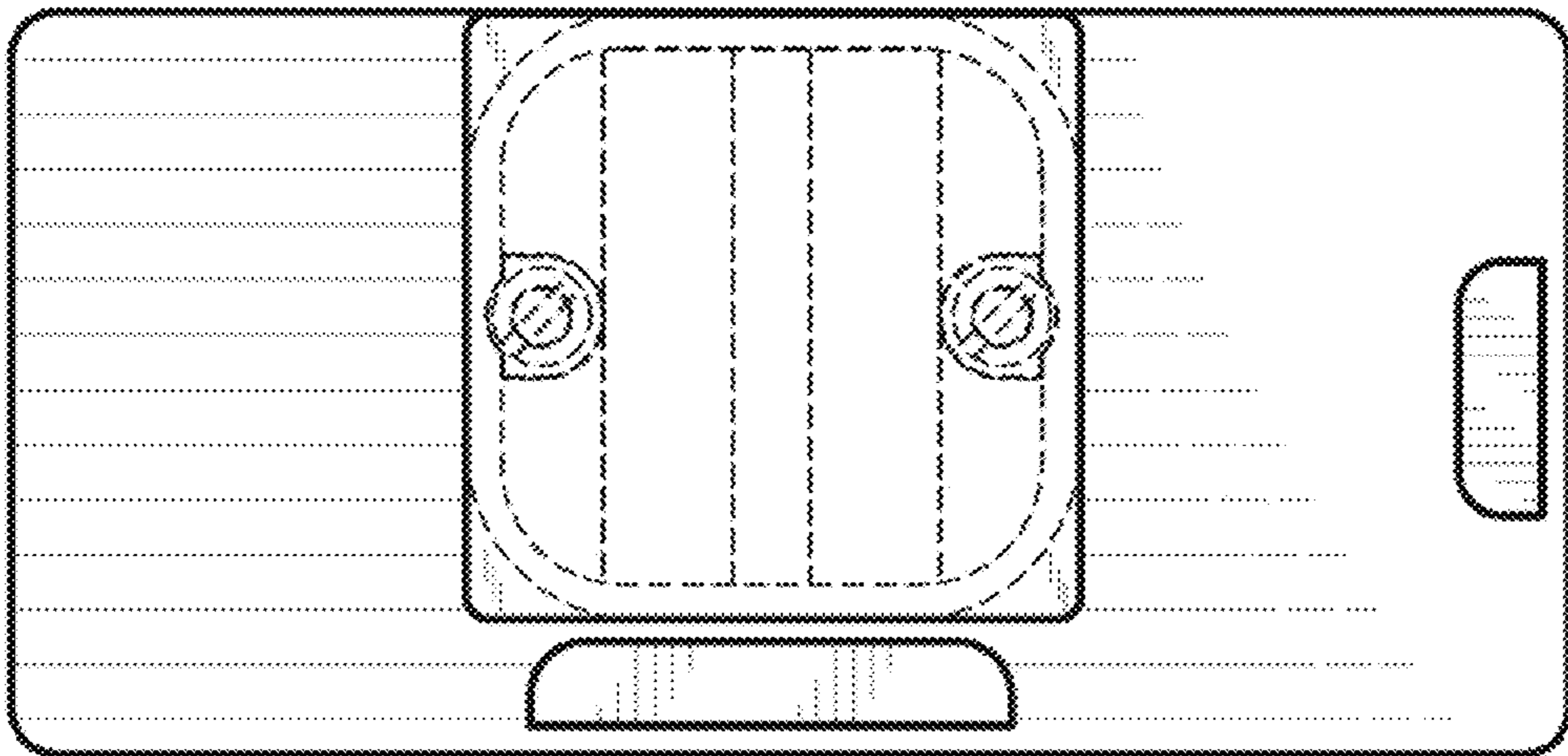


Fig. 4

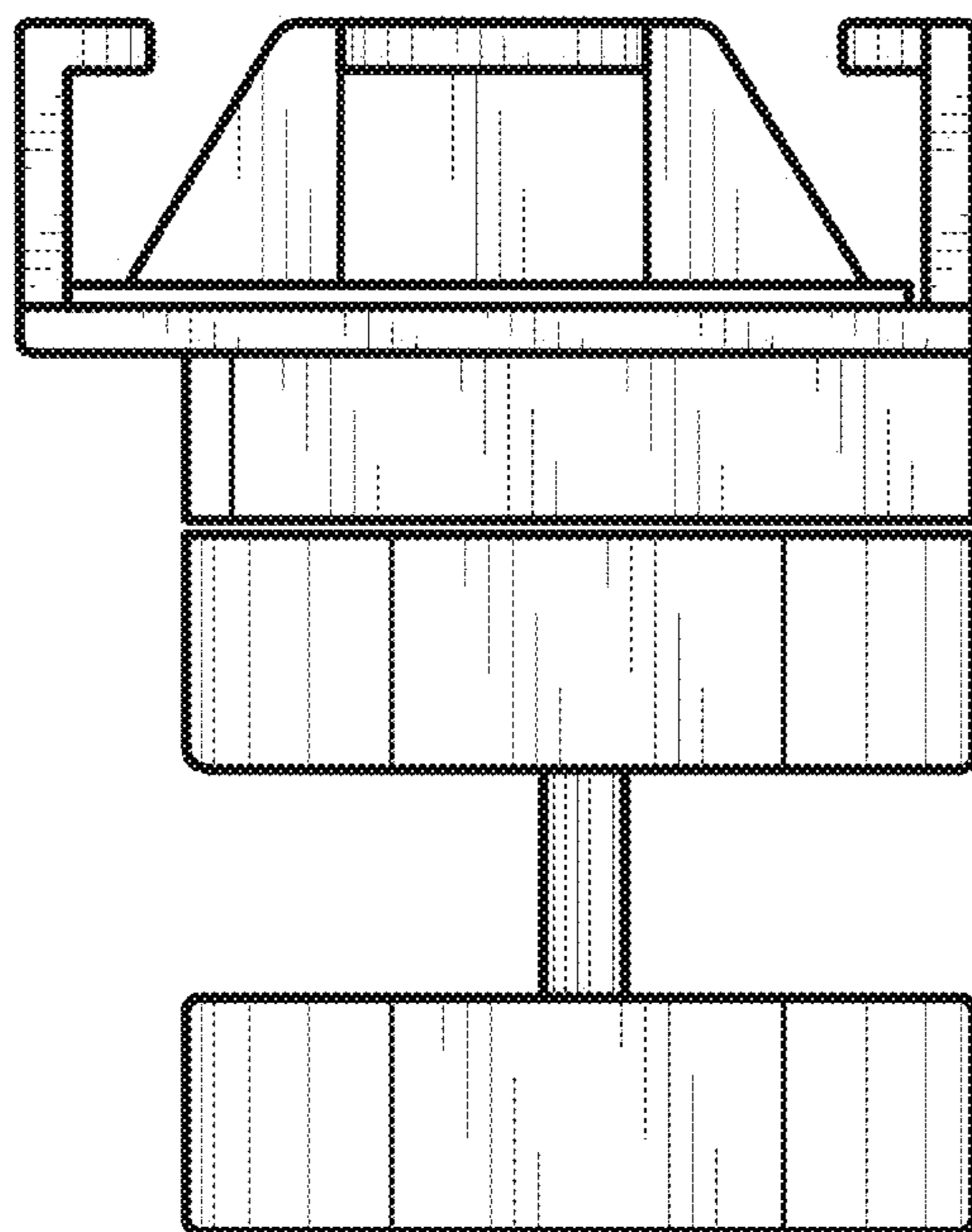


Fig. 5

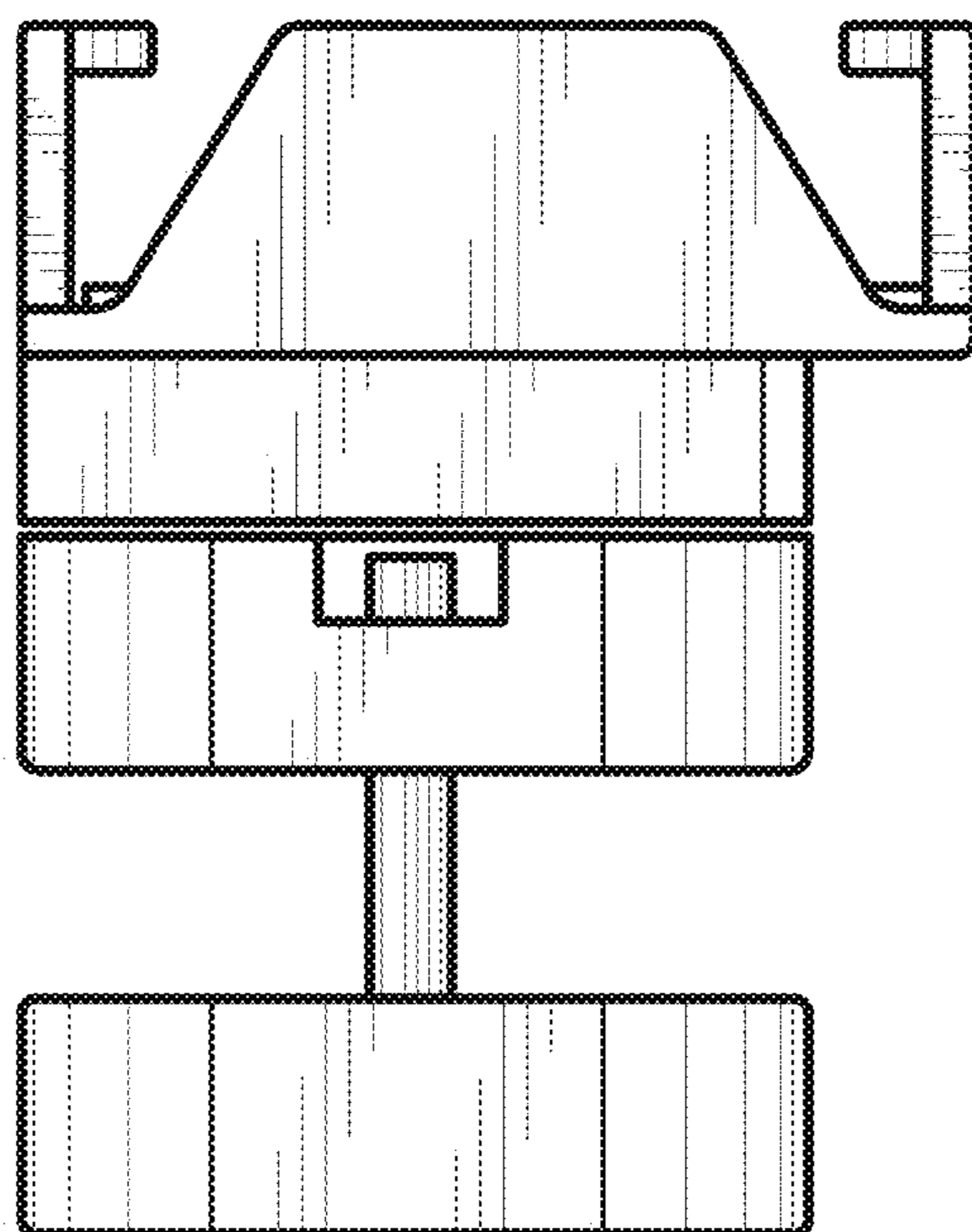


Fig. 6

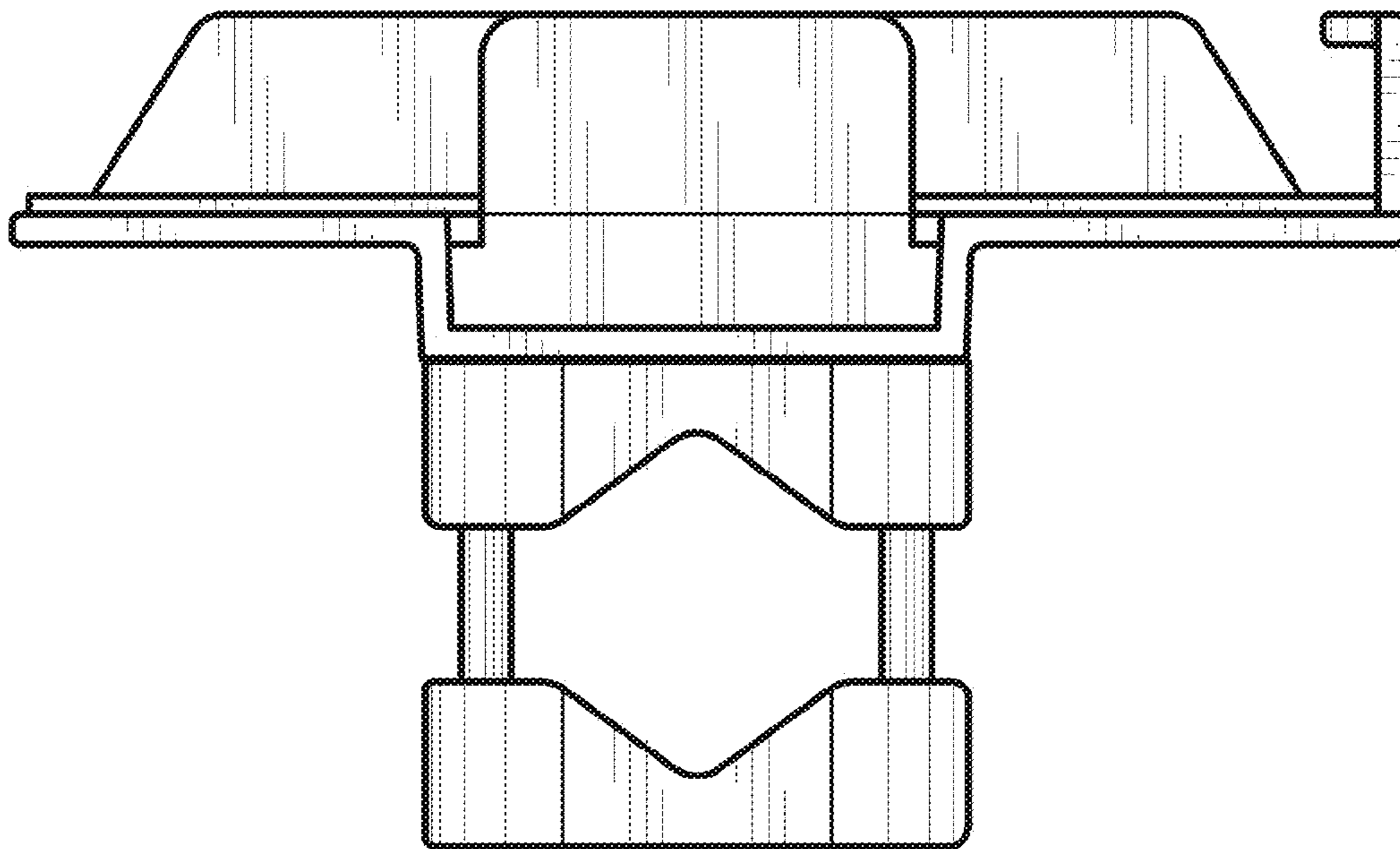


Fig. 7

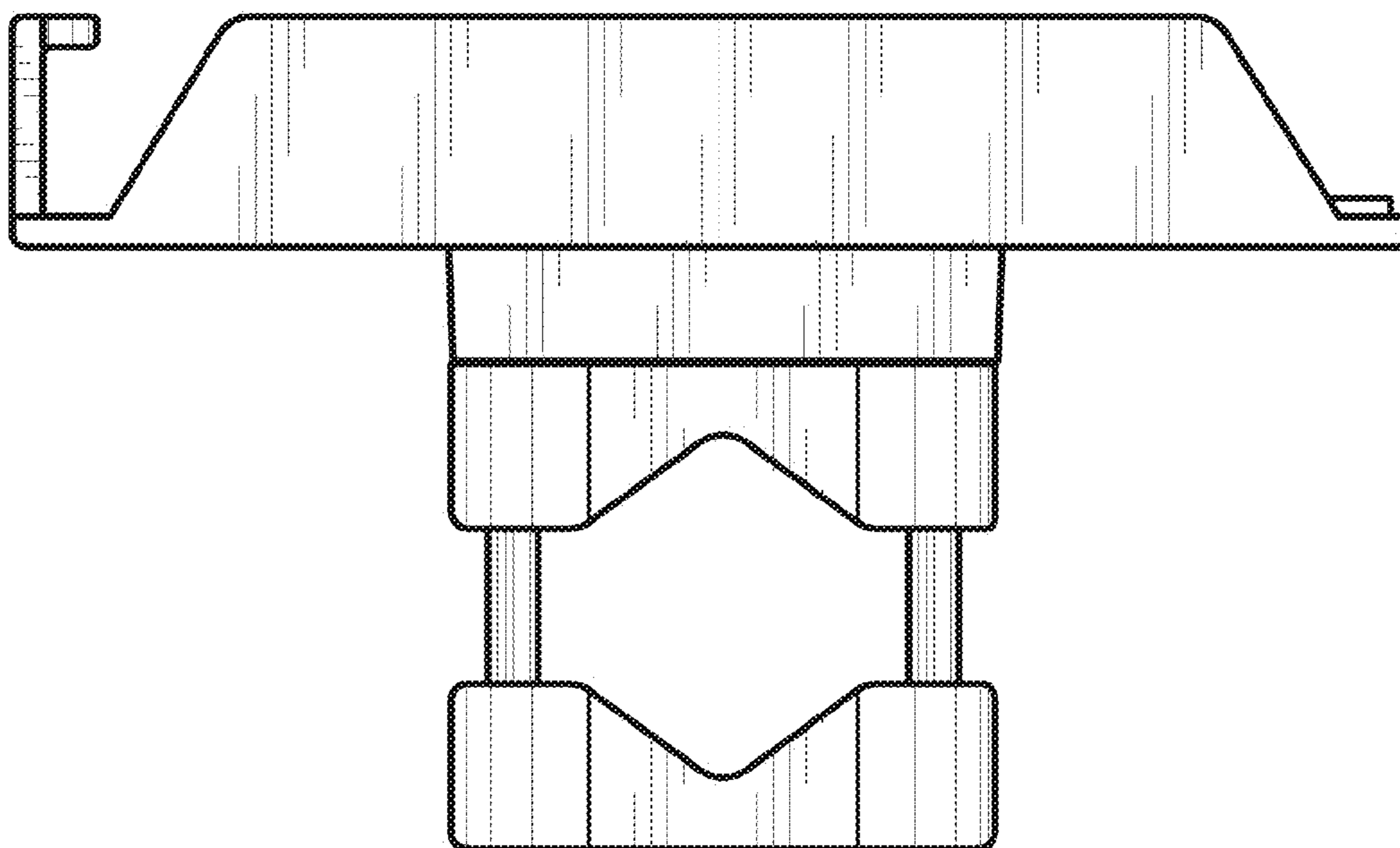


Fig. 8