



US00D696671S

(12) **United States Design Patent**
Carnevali

(10) **Patent No.:** **US D696,671 S**

(45) **Date of Patent:** **** Dec. 31, 2013**

(54) **QUICK MOUNTING DEVICE**

(76) Inventor: **Jeffrey D. Carnevali**, Seattle, WA (US)

(**) Term: **14 Years**

(21) Appl. No.: **29/426,370**

(22) Filed: **Jul. 4, 2012**

Related U.S. Application Data

(63) Continuation-in-part of application No. 13/161,148, filed on Jun. 15, 2011.

(51) **LOC (9) Cl.** **08-07**

(52) **U.S. Cl.**
USPC **D14/447**; D14/253

(58) **Field of Classification Search**
USPC D14/140, 140.8, 142, 243–256, 434,
D14/447; D3/215, 218, 269; D2/861;
D6/300, 310, 467, 553–574; 292/342,
292/343; D19/90; D12/415
See application file for complete search history.

(56) **References Cited**

U.S. PATENT DOCUMENTS

D361,334 S *	8/1995	Chan	D14/251
D468,747 S *	1/2003	Kwon	D14/451
D473,562 S *	4/2003	Russell	D14/447
D473,563 S *	4/2003	Russell	D14/447
7,121,214 B1 *	10/2006	Toltzman et al.	108/43
7,918,426 B2 *	4/2011	Short et al.	248/276.1
D640,681 S *	6/2011	Baumann et al.	D14/253
D640,707 S *	6/2011	Yeh	D14/447

D641,610 S *	7/2011	Sedalo	D8/354
D658,169 S *	4/2012	Mo	D14/253
D669,890 S *	10/2012	Hopkins et al.	D14/251
D674,804 S *	1/2013	Cote	D14/447
D679,716 S *	4/2013	Mo	D14/447
D680,523 S *	4/2013	Tu	D14/253
D681,624 S *	5/2013	Chang	D14/250
D686,629 S *	7/2013	Trinh et al.	D14/447
D687,440 S *	8/2013	Shieh	D14/447

* cited by examiner

Primary Examiner — Susan Bennett Hattan

Assistant Examiner — Janice Hallmark

(74) *Attorney, Agent, or Firm* — Charles J. Rupnick

(57) **CLAIM**

The ornamental design for a quick mounting device, as shown and described.

DESCRIPTION

This present application is related to U.S. patent application Ser. No. 13/541,735 filed in the name of the inventor of the present application on the same date herewith, which is incorporated herein by reference.

FIG. 1 is a front perspective view of a quick mounting device, showing my new design;

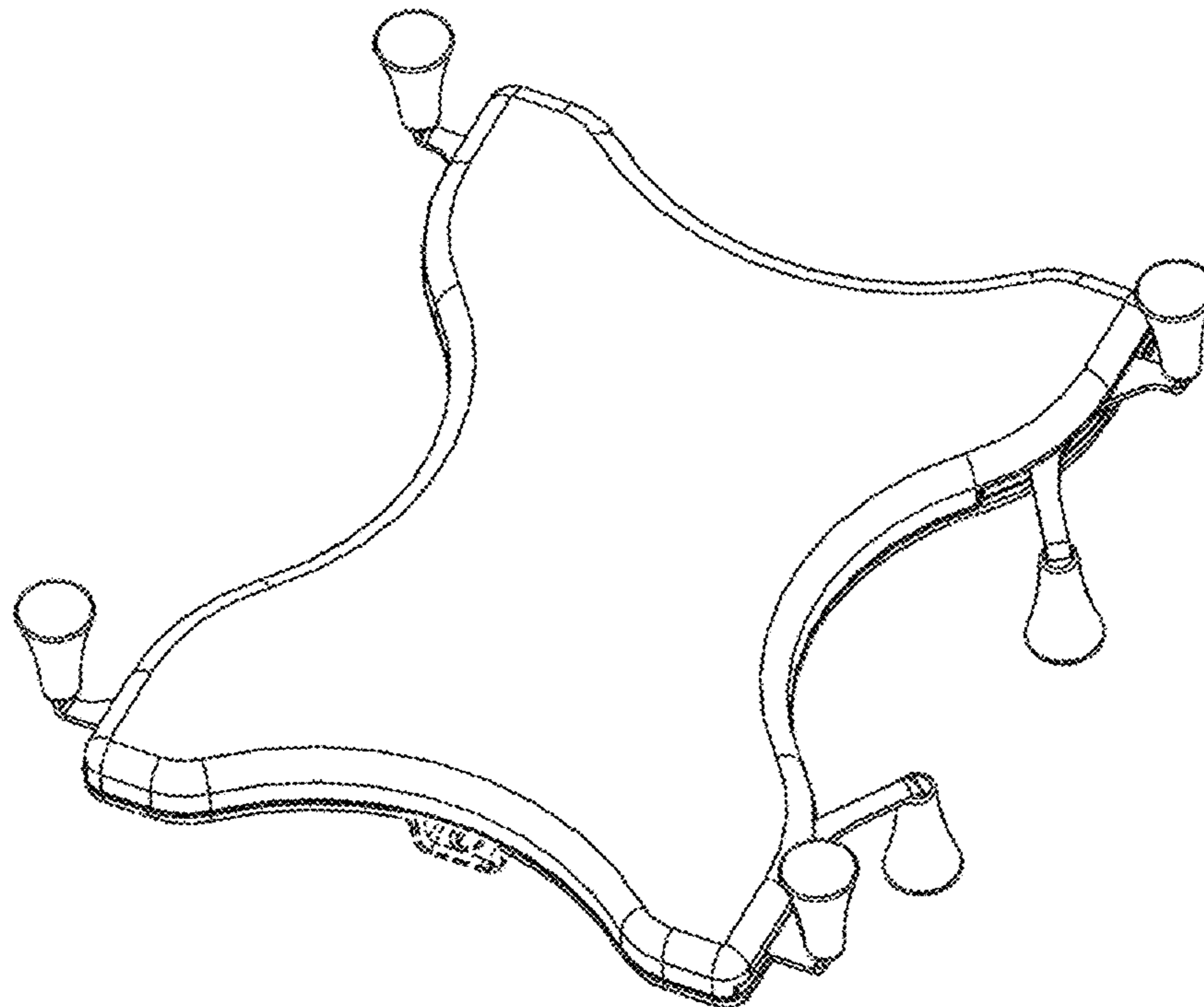
FIG. 2 is a top elevational view thereof;

FIG. 3 is a side elevational view thereof; and,

FIG. 4 is an end elevational view thereof.

The broken lines showing the joints, chamfers, fastener joints and the clamp fenders in FIGS. 1, 3 and 4 are for environmental purposes only and form no part of the claimed design.

1 Claim, 3 Drawing Sheets



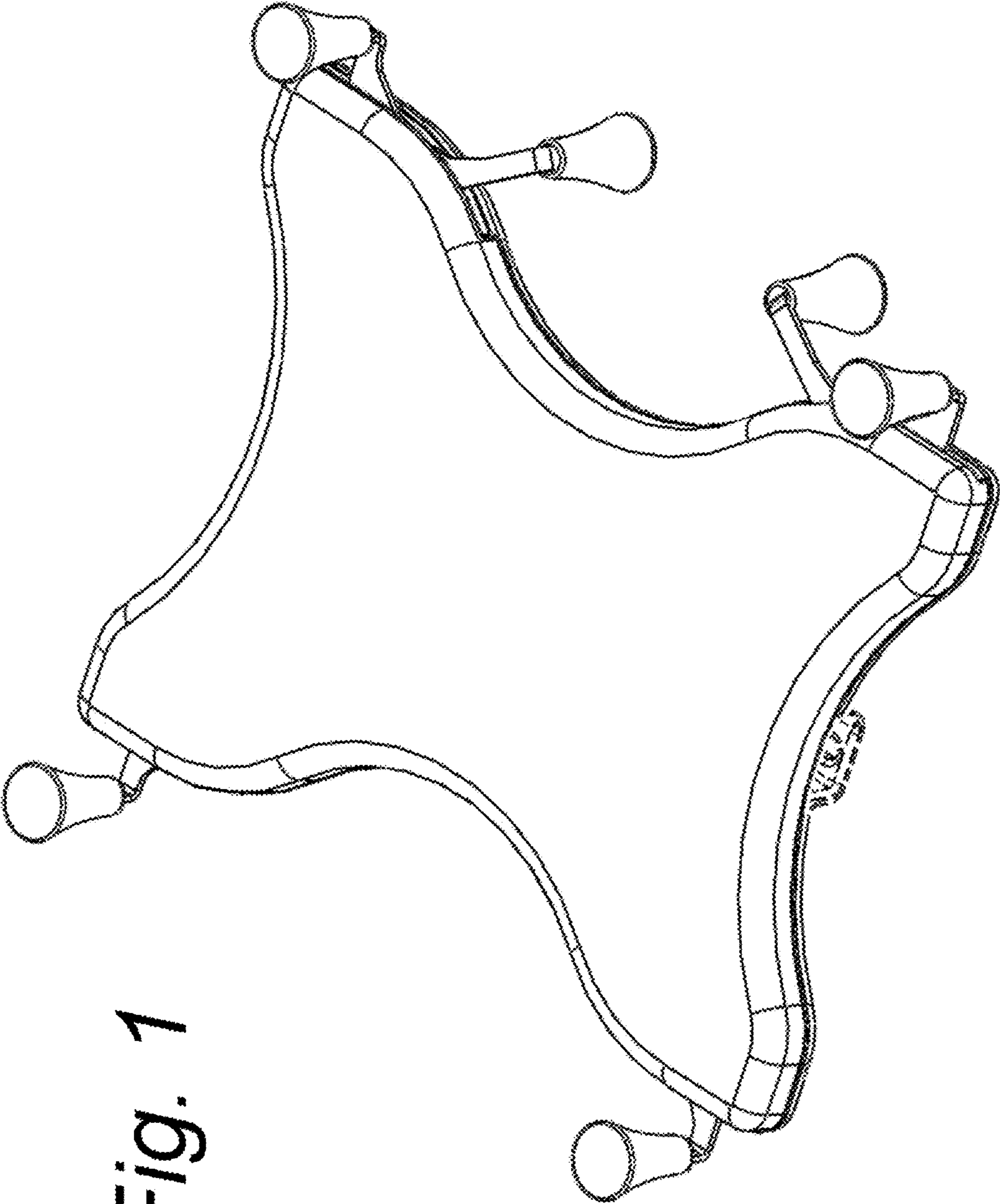


Fig. 1

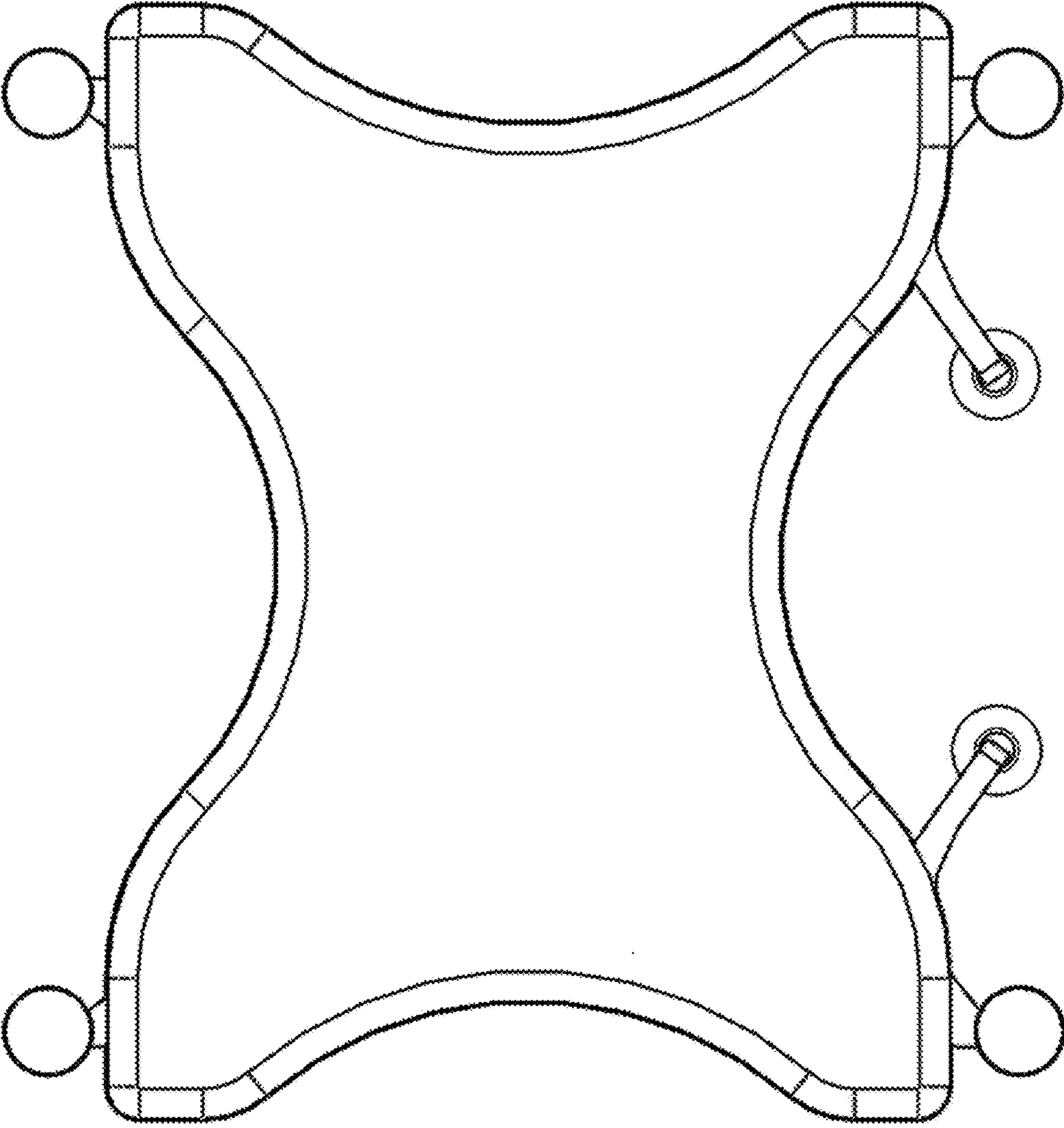


Fig. 2

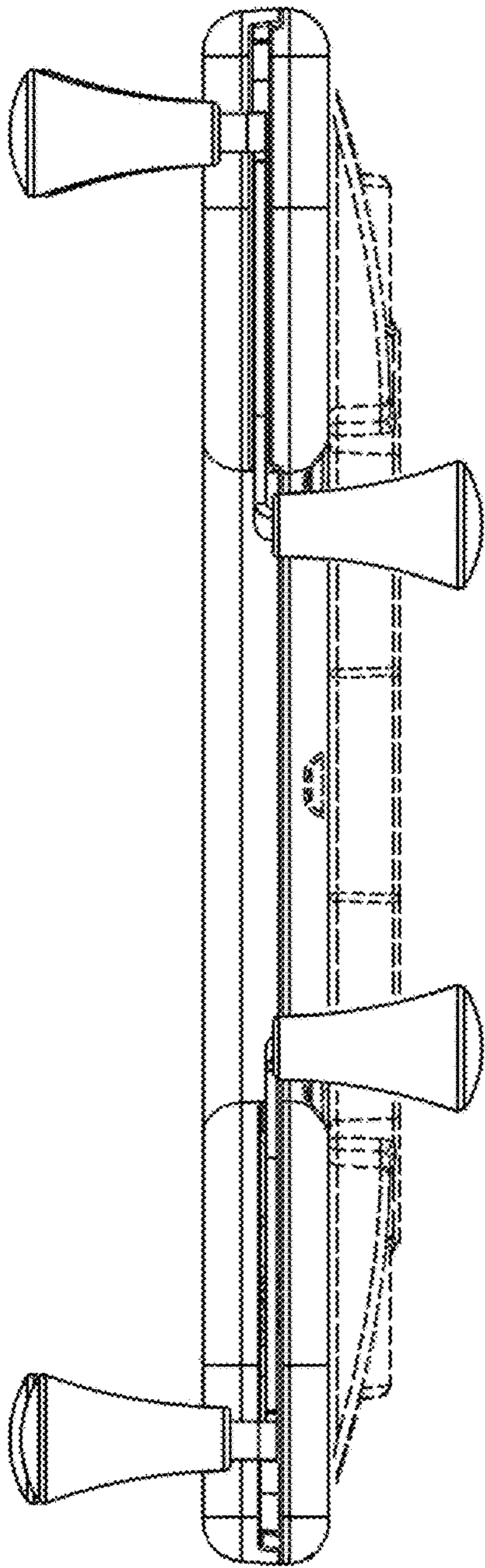


Fig. 3

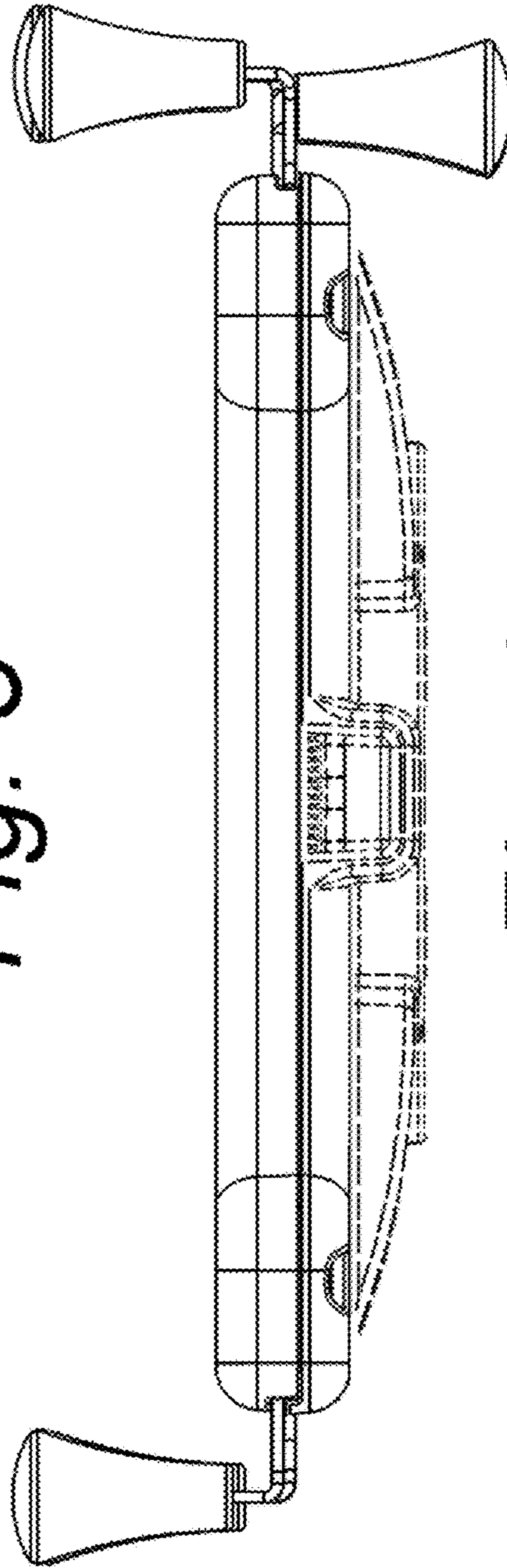


Fig. 4