



US00D696670S

(12) **United States Design Patent**
Schiller et al.

(10) **Patent No.:** **US D696,670 S**

(45) **Date of Patent:** **** Dec. 31, 2013**

(54) **PROTECTIVE CASE FOR TABLET**

(71) Applicant: **Sunfire Carbide & Rare Earth Metals, Inc.**, Auburn Hills, MI (US)

(72) Inventors: **Ralph Schiller**, Birmingham, MI (US); **Wayne Chuang**, Troy, MI (US); **Scott R. Groninger**, Ferndale, MI (US); **Randy G. Eschenburg**, New Baltimore, MI (US); **Timothy J. Nixon**, Washington Township, MI (US); **Nicholas J. Pomante**, Harrison Township, MI (US); **Percy P. Vreeken**, Gross Pointe Farms, MI (US)

(73) Assignee: **Sunfire Carbide and Rare Earth Metals, Inc.**, Auburn Hills, MI (US)

(**) Term: **14 Years**

(21) Appl. No.: **29/443,657**

(22) Filed: **Jan. 21, 2013**

(51) **LOC (9) Cl.** **14-02**

(52) **U.S. Cl.**
USPC **D14/440**

(58) **Field of Classification Search**
USPC D14/250, 251, 253, 240, 217, 496, 440,
D14/203.3, 203.4, 203.5, 203.8, 341, 318;
D3/218, 215, 201, 294, 289, 900;
220/4.02; 248/309.1; 361/679.56;
379/426, 433.11, 455; 455/575.1,
455/575.8; 190/100; 206/305, 320;
D21/469

See application file for complete search history.

(56) **References Cited**

U.S. PATENT DOCUMENTS

5,375,076 A * 12/1994 Goodrich et al. 361/679.17
5,480,118 A * 1/1996 Cross 248/459

6,763,942 B1 *	7/2004	Yeh	206/320
D607,035 S *	12/2009	Adams et al.	D16/241
D650,380 S *	12/2011	Ballout	D14/331
D653,668 S *	2/2012	Song et al.	D14/447
D656,137 S *	3/2012	Chung et al.	D14/341
D664,528 S *	7/2012	Chen et al.	D14/253
D676,449 S *	2/2013	Probst et al.	D14/440
D678,272 S *	3/2013	Groene et al.	D14/345
D679,279 S *	4/2013	Yang et al.	D14/440
2009/0116106 A1 *	5/2009	Adams et al.	359/443

* cited by examiner

Primary Examiner — Cynthia Underwood

(74) *Attorney, Agent, or Firm* — Young Basile Hanlon & MacFarlane P.C.

(57) **CLAIM**

The ornamental design for a protective case for tablet, as shown and described.

DESCRIPTION

FIG. 1 is a perspective view of a protective case with its stand in a closed position;

FIG. 2 is a front elevational view of the protective case of FIG. 1.

FIG. 3 is a rear elevational view of the viewing stand of FIG. 1;

FIG. 4 is a left side elevational view of the viewing stand of FIG. 1;

FIG. 5 is a right side elevational view of the viewing stand of FIG. 1;

FIG. 6 is a top plan view of the viewing stand of FIG. 1;

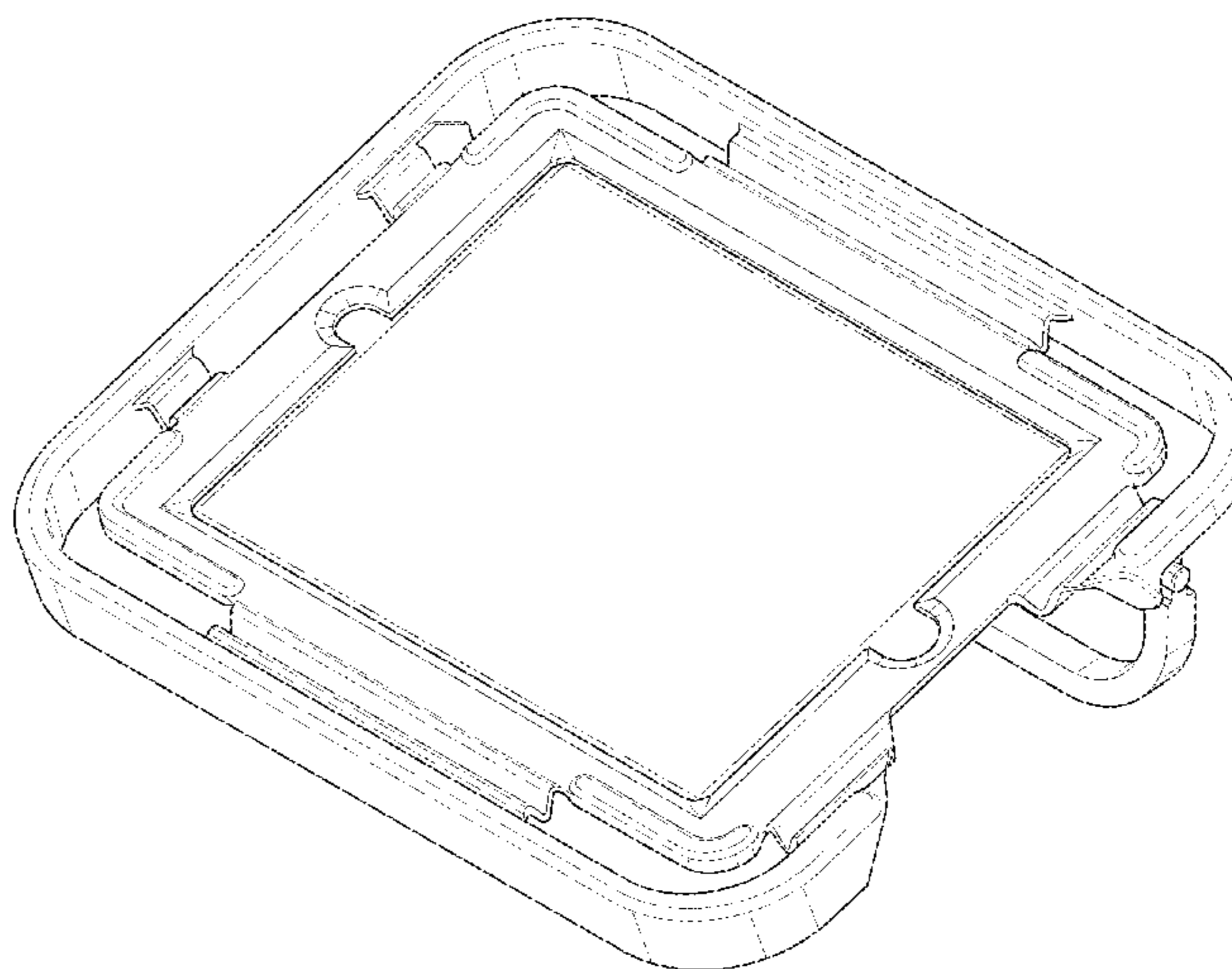
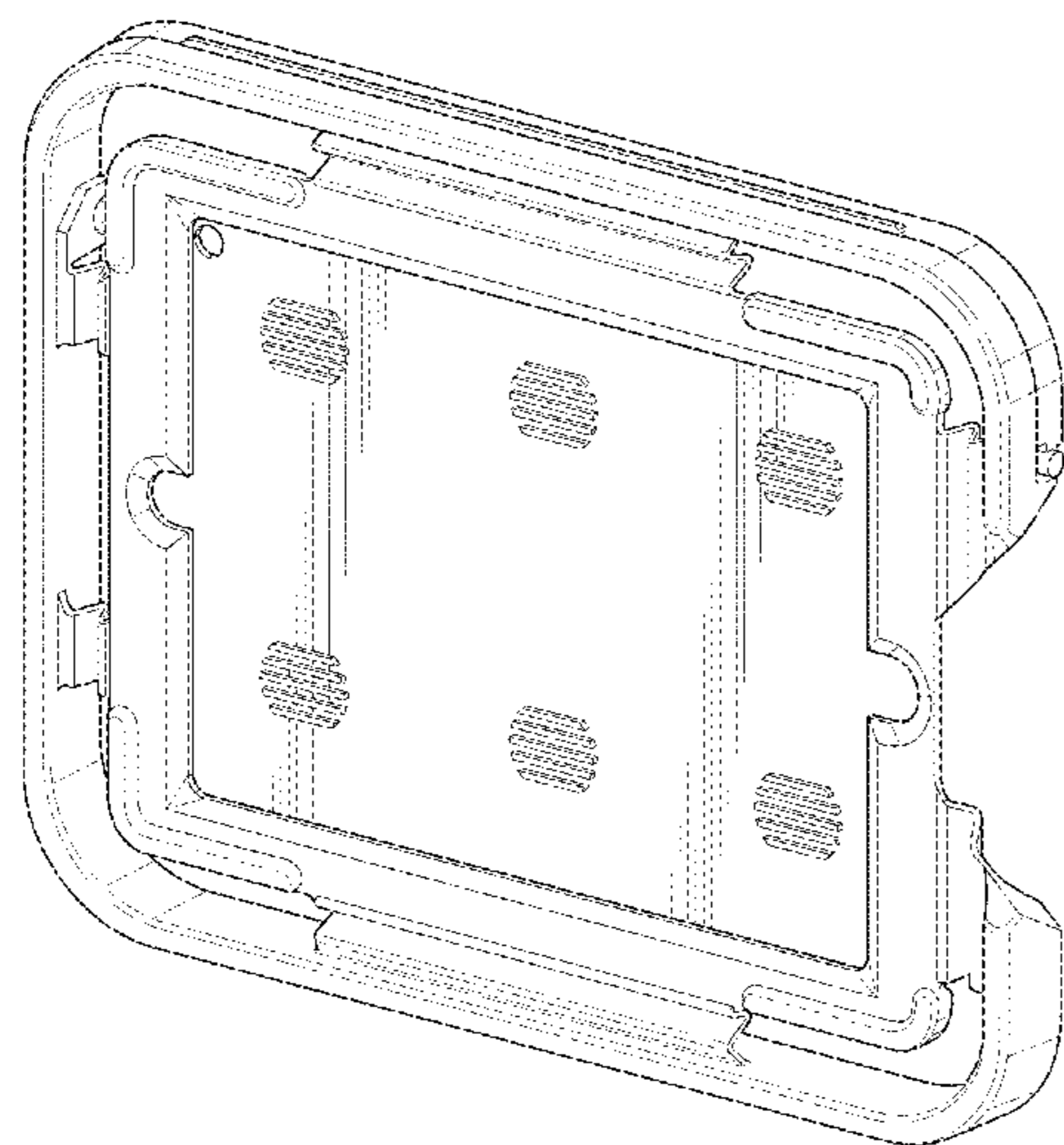
FIG. 7 is a bottom plan view of the viewing stand of FIG. 1;

FIG. 8 is a perspective view of the protective case of FIG. 1 with a tablet device inserted in the protective case; and,

FIG. 9 is a perspective view of the protective case of FIG. 1 with its stand in an open position with a tablet device inserted in the protective case.

The broken lines are environmental and form no part of the claimed design.

1 Claim, 7 Drawing Sheets



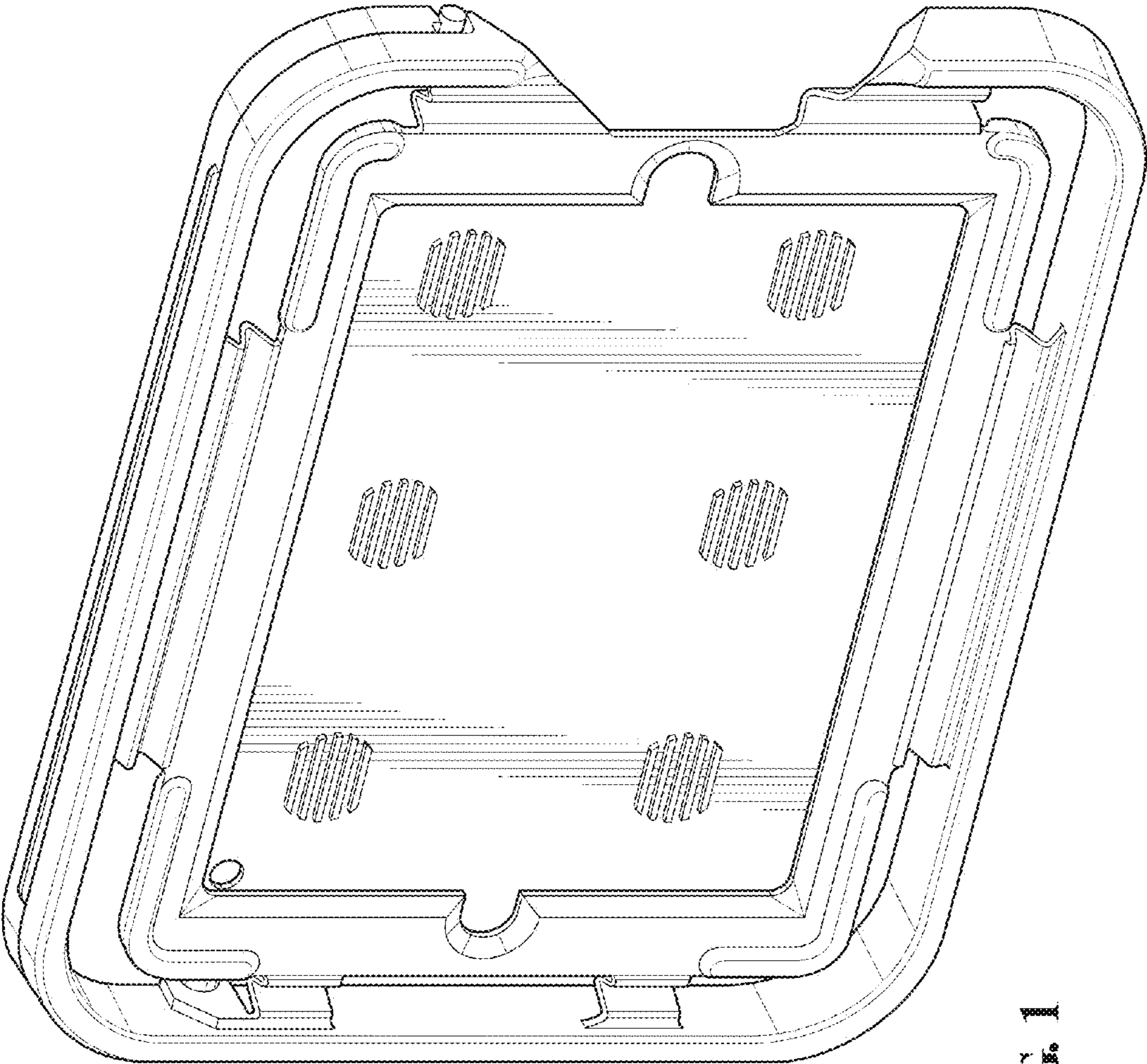
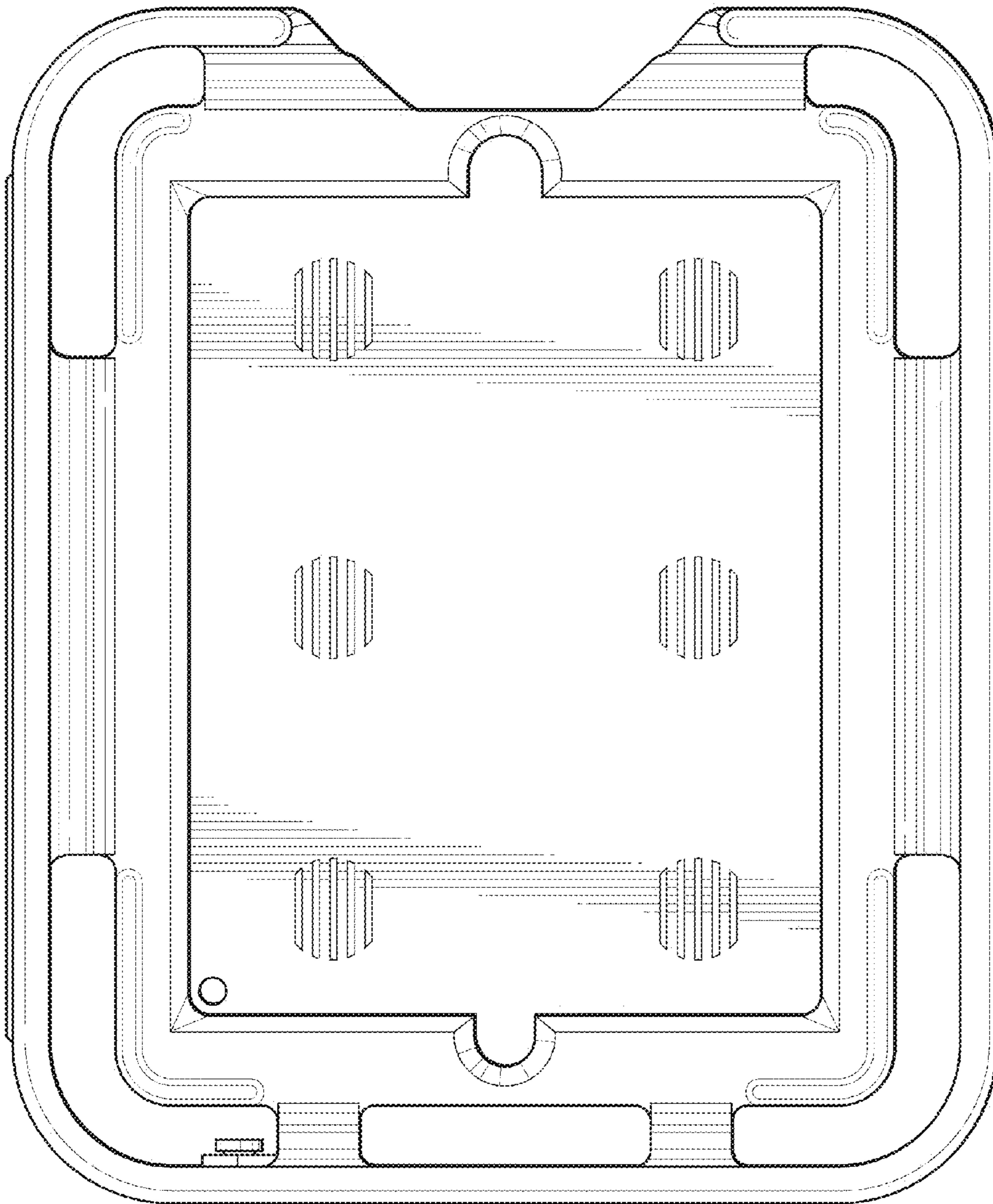


FIG. 1

FIG. 2



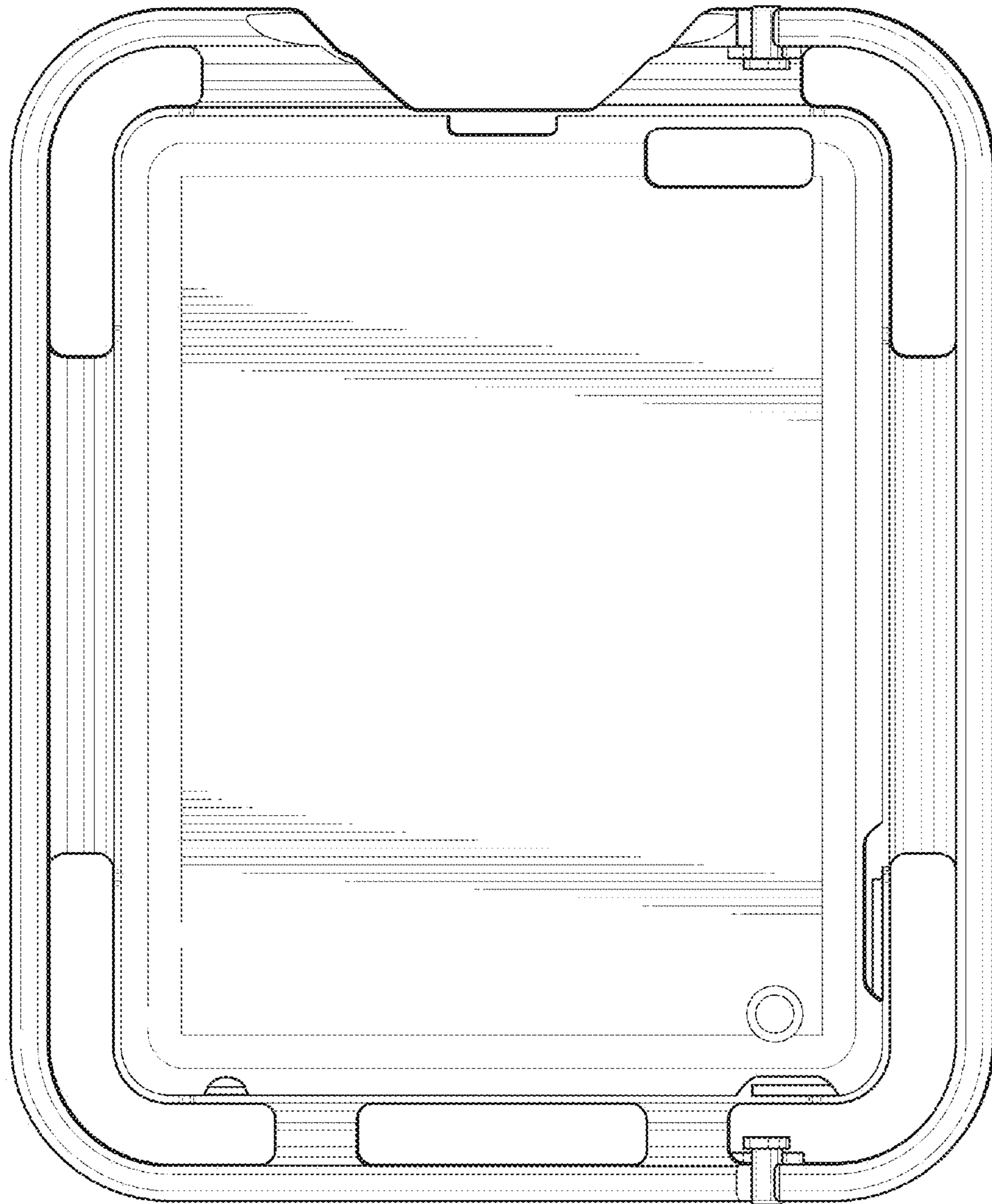


FIG. 3

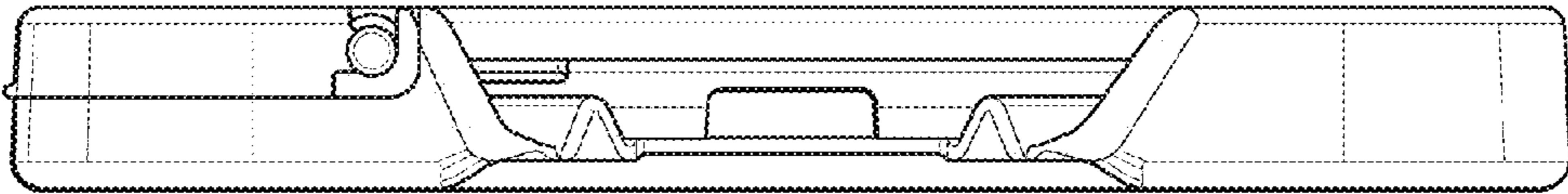


FIG. 5

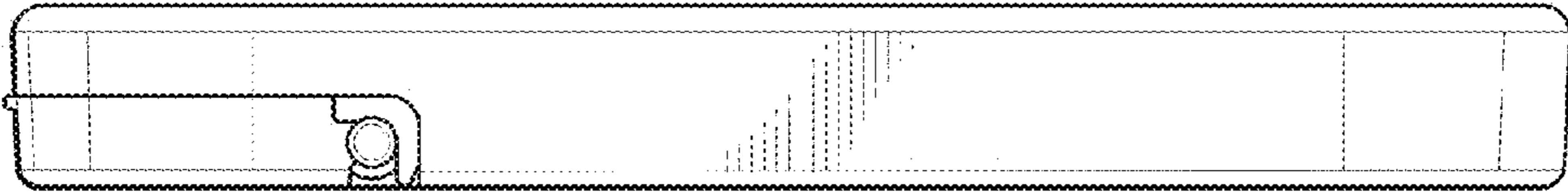


FIG. 4

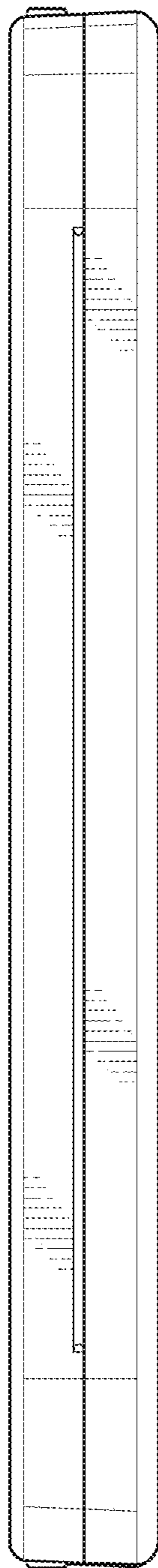


FIG. 6

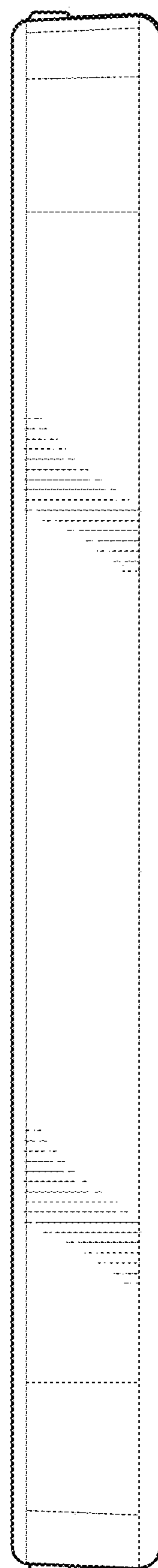
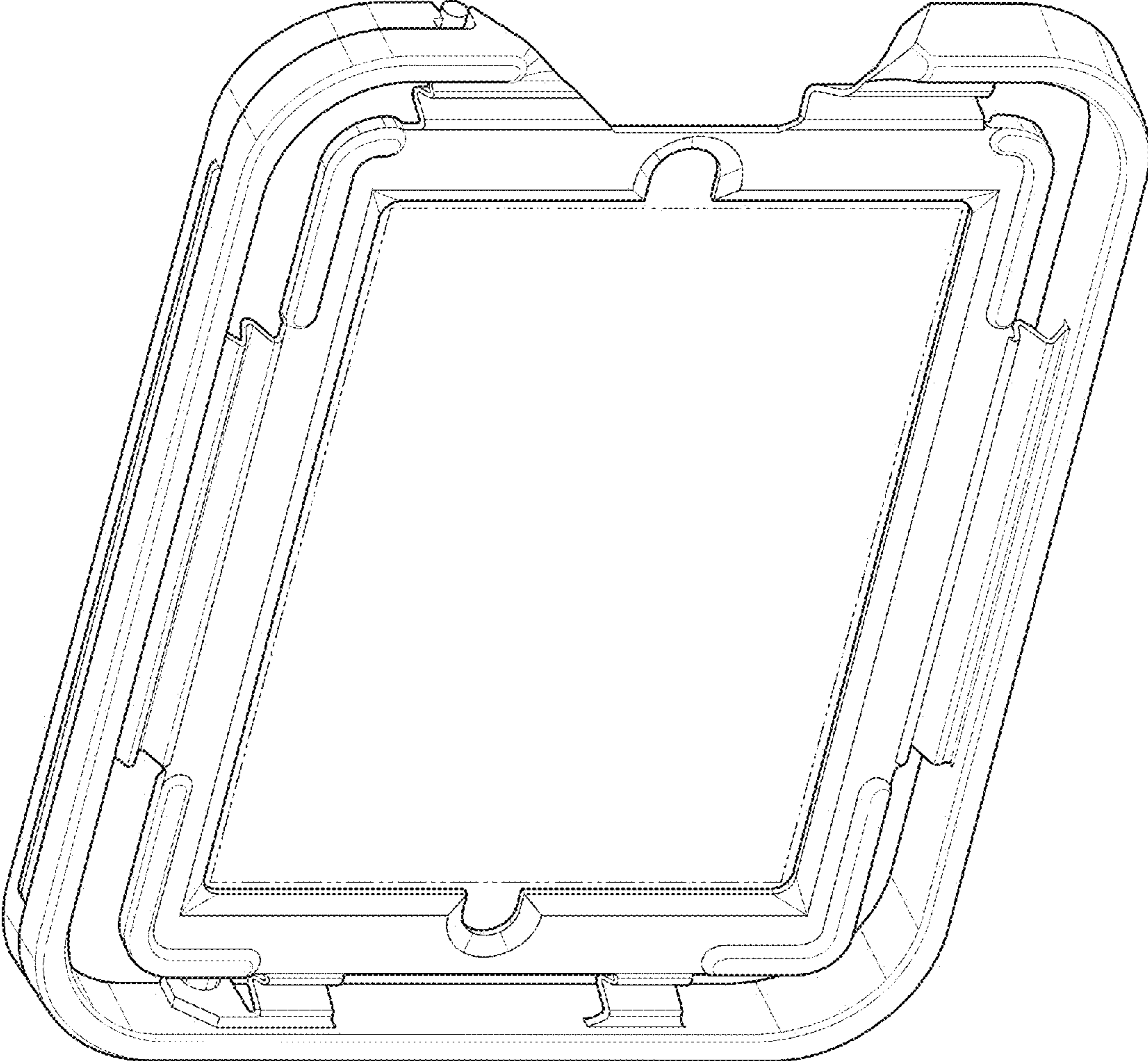


FIG. 7

FIG. 8



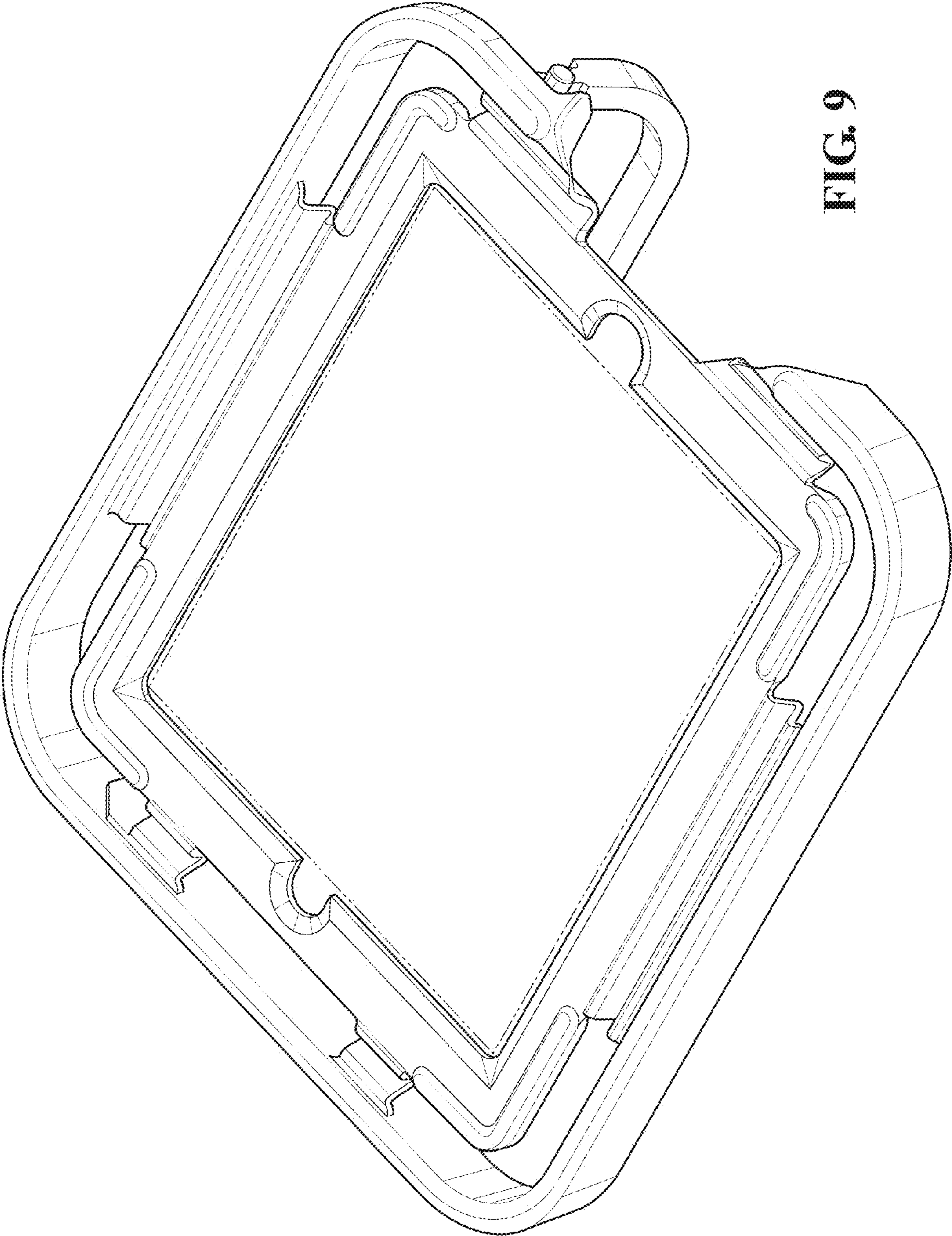


FIG. 9