

US00D696666S

(12) **United States Design Patent**  
**Drew et al.**

(10) **Patent No.:** **US D696,666 S**  
(45) **Date of Patent:** **\*\* Dec. 31, 2013**

- (54) **DISPLAY**
- (71) Applicant: **Hewlett-Packard Development Company, L.P.**, Houston, TX (US)
- (72) Inventors: **Paul L. Drew**, The Woodlands, TX (US); **David Quijano**, Fort Collins, CO (US)
- (73) Assignee: **Hewlett-Packard Development Company, L.P.**, Houston, TX (US)
- (\*\*) Term: **14 Years**
- (21) Appl. No.: **29/451,307**
- (22) Filed: **Mar. 29, 2013**
- (51) **LOC (9) Cl.** ..... **14-02**
- (52) **U.S. Cl.**  
USPC ..... **D14/375**
- (58) **Field of Classification Search**  
USPC ..... D14/371-375, 125-129, 336, 337, 448, D14/451, 452, 492, 335, 376-382, 447, D14/239; 341/12; 345/104, 156, 168, 173; 348/180, 184, 325, 739; 349/1, 2, 11, 349/62; 361/679.05-679.07, 679.21, 361/679.22  
See application file for complete search history.

- (56) **References Cited**  
U.S. PATENT DOCUMENTS  
D186,672 S \* 11/1959 Gilruth ..... D6/475  
D295,415 S \* 4/1988 Thies et al. .... D14/452

D362,455 S *	9/1995	Bowers	.....	D18/18
D413,110 S *	8/1999	Sweere et al.	.....	D14/447
D462,359 S *	9/2002	Scharer et al.	.....	D14/452
D472,556 S *	4/2003	Scharer et al.	.....	D14/452
7,143,478 B2 *	12/2006	Quijano	.....	16/445
D541,278 S *	4/2007	Hsu et al.	.....	D14/375
7,593,219 B2 *	9/2009	Quijano et al.	.....	361/679.22
D649,153 S *	11/2011	Symons	.....	D14/447
D650,386 S *	12/2011	Lee et al.	.....	D14/374
D672,356 S *	12/2012	Quijano et al.	.....	D14/447
D680,547 S *	4/2013	Williams et al.	.....	D14/447
D682,285 S *	5/2013	Skinner et al.	.....	D14/451
D688,659 S *	8/2013	Yusef	.....	D14/335
2012/0268892 A1 *	10/2012	Quijano	.....	361/679.58
2013/0176672 A1 *	7/2013	Richard et al.	.....	361/679.22

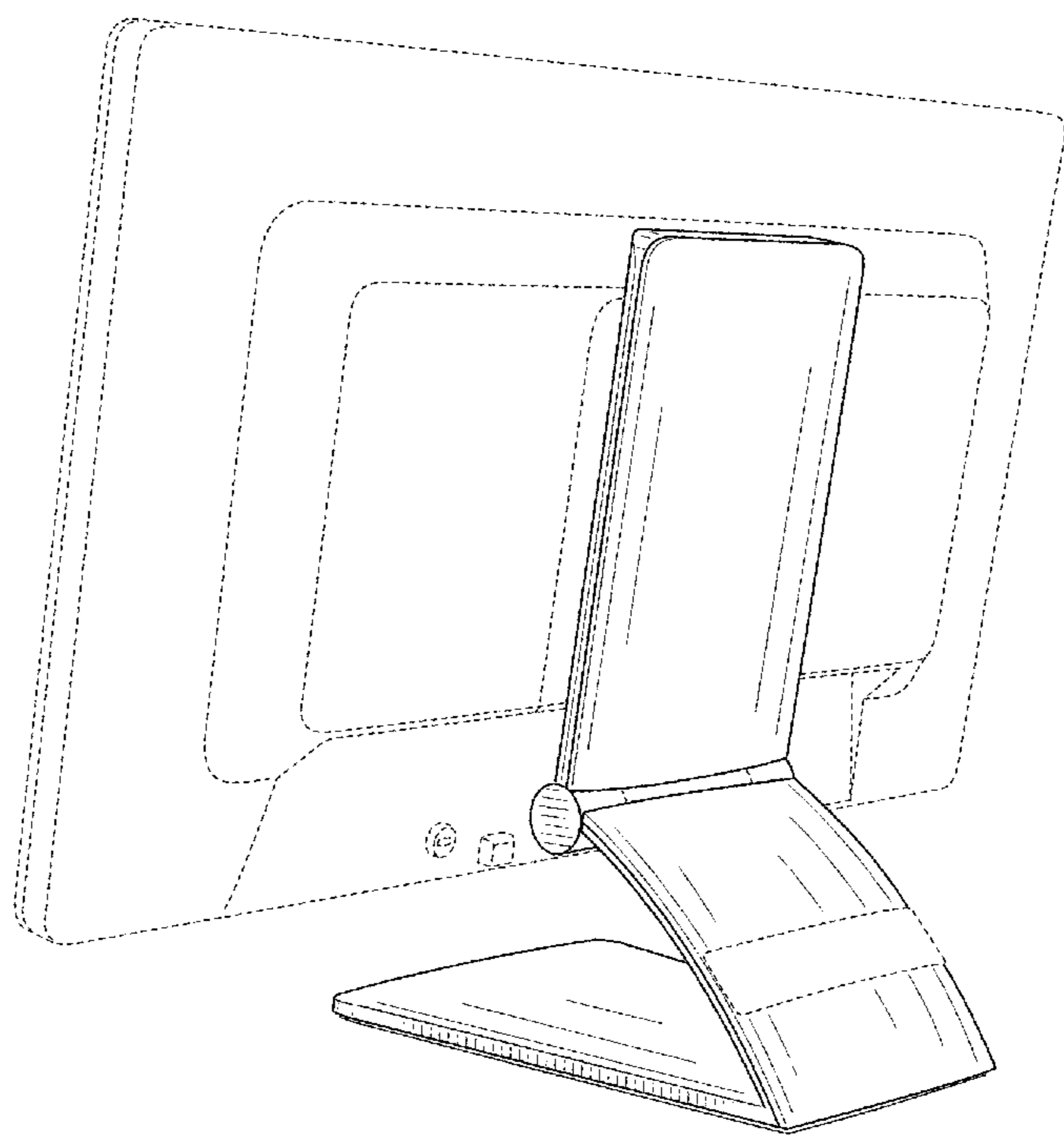
\* cited by examiner

*Primary Examiner* — Deanna L Pratt  
*Assistant Examiner* — Katie Mroczka

(57) **CLAIM**  
We claim the ornamental design for a display, as shown and described.

**DESCRIPTION**  
FIG. 1 is a rear perspective view of a display;  
FIG. 2 is a front perspective view thereof;  
FIG. 3 is a front view thereof;  
FIG. 4 is a rear view thereof; and  
FIG. 5 is a left side view thereof;  
FIG. 6 is a right side view thereof; and,  
FIG. 7 is a top view thereof.  
Broken lines shown in FIGS. 1-7 illustrate portions of the display which form no part of the claimed design.

**1 Claim, 7 Drawing Sheets**



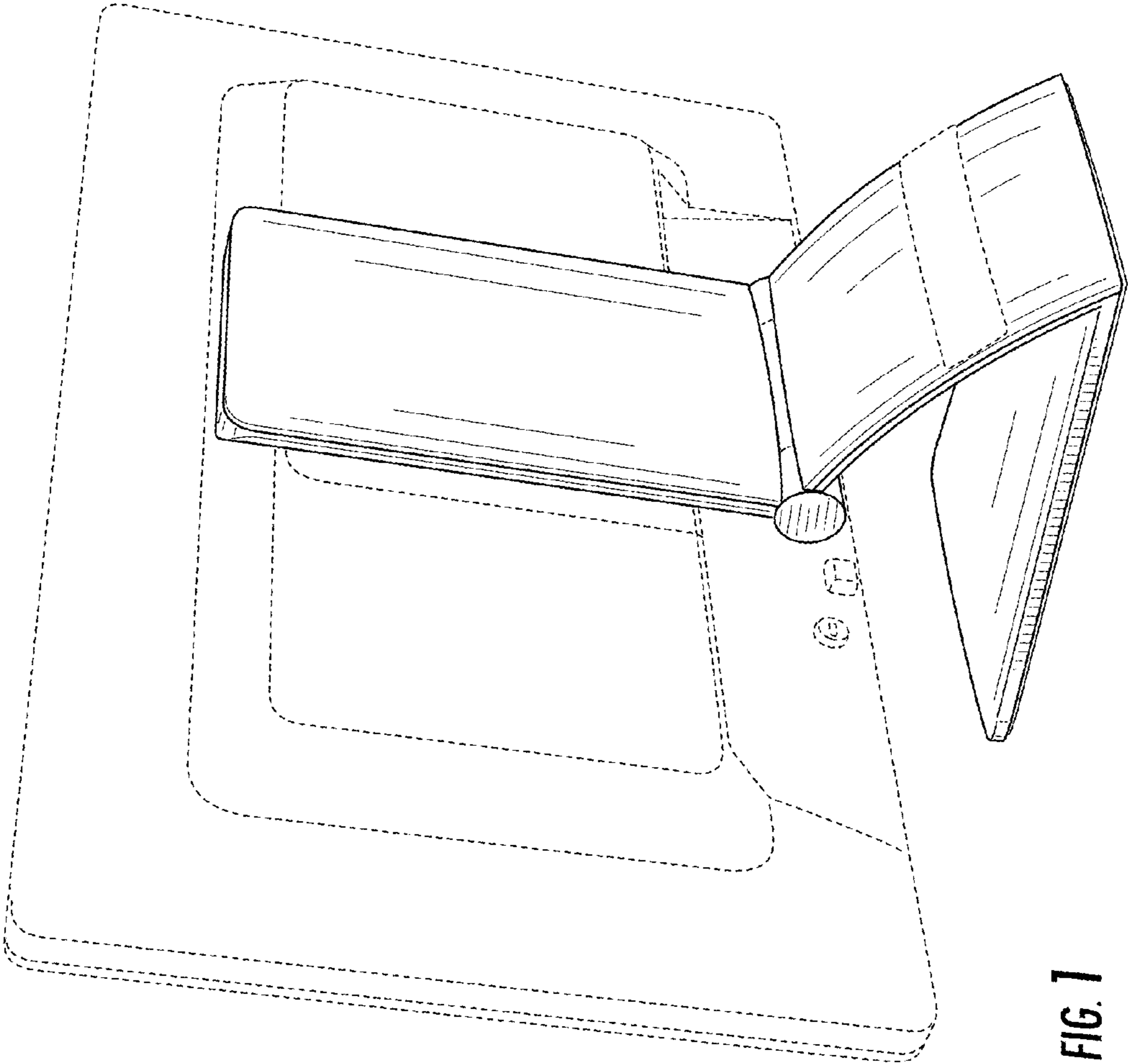


FIG. 1

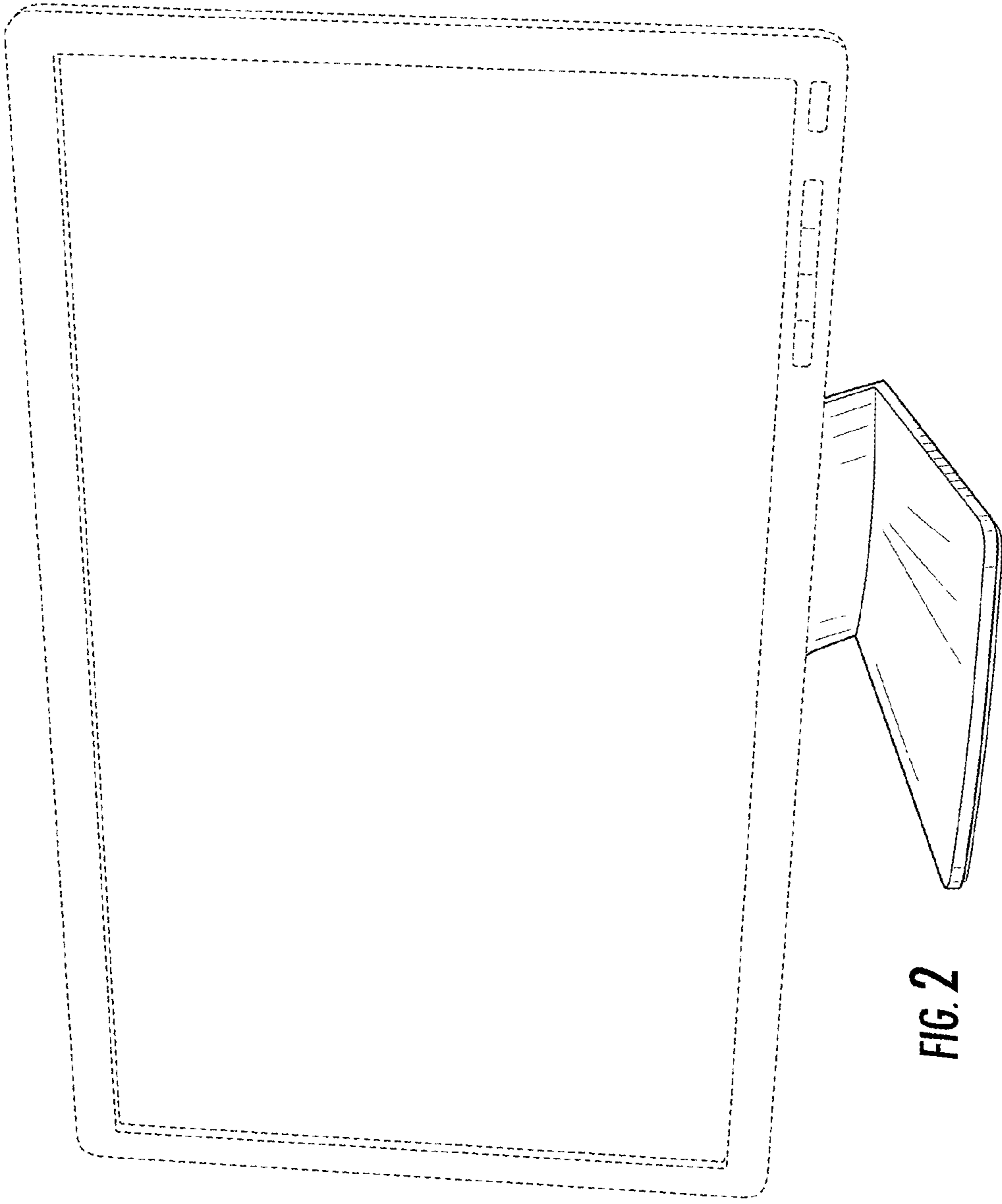
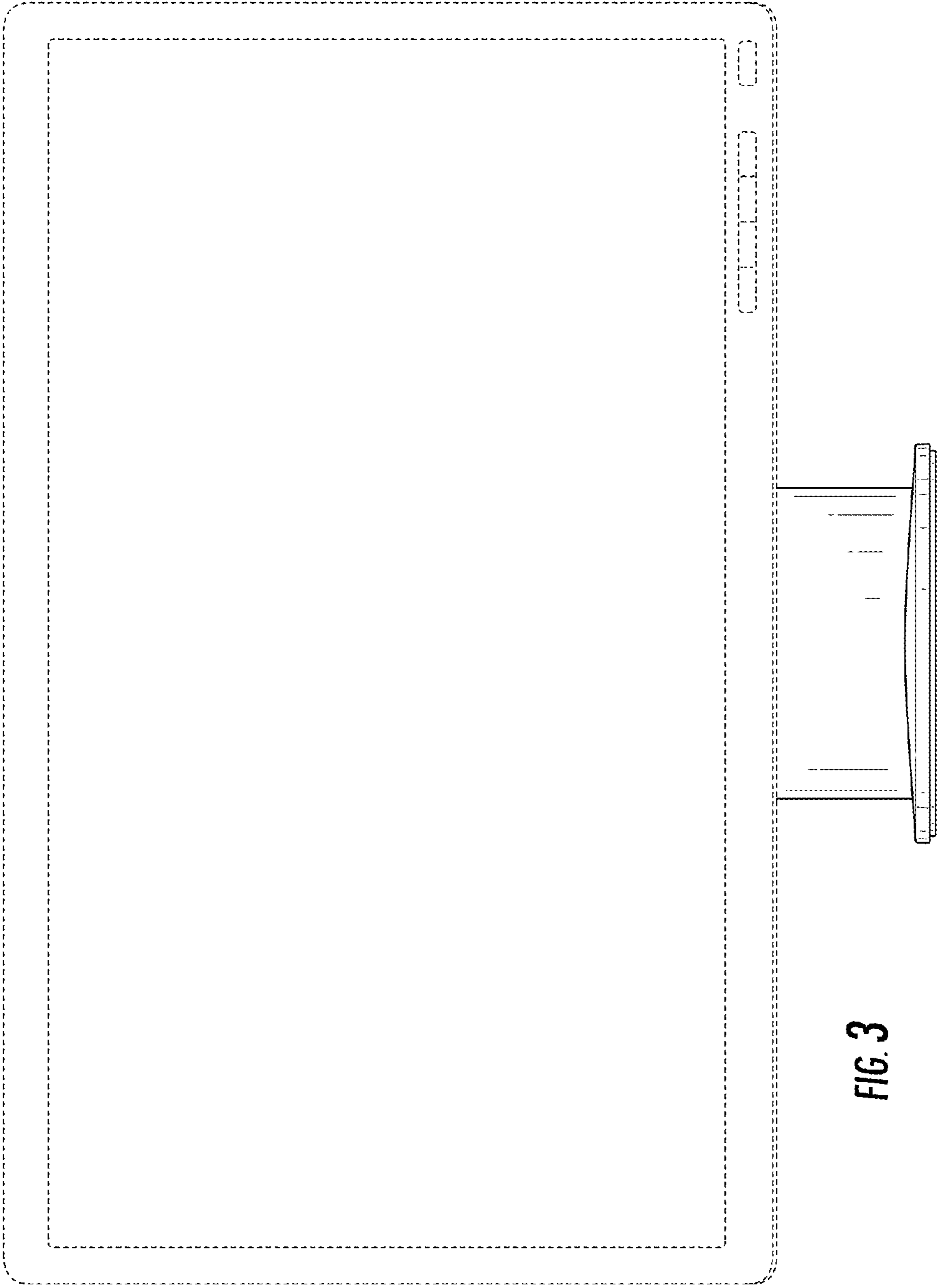


FIG. 2



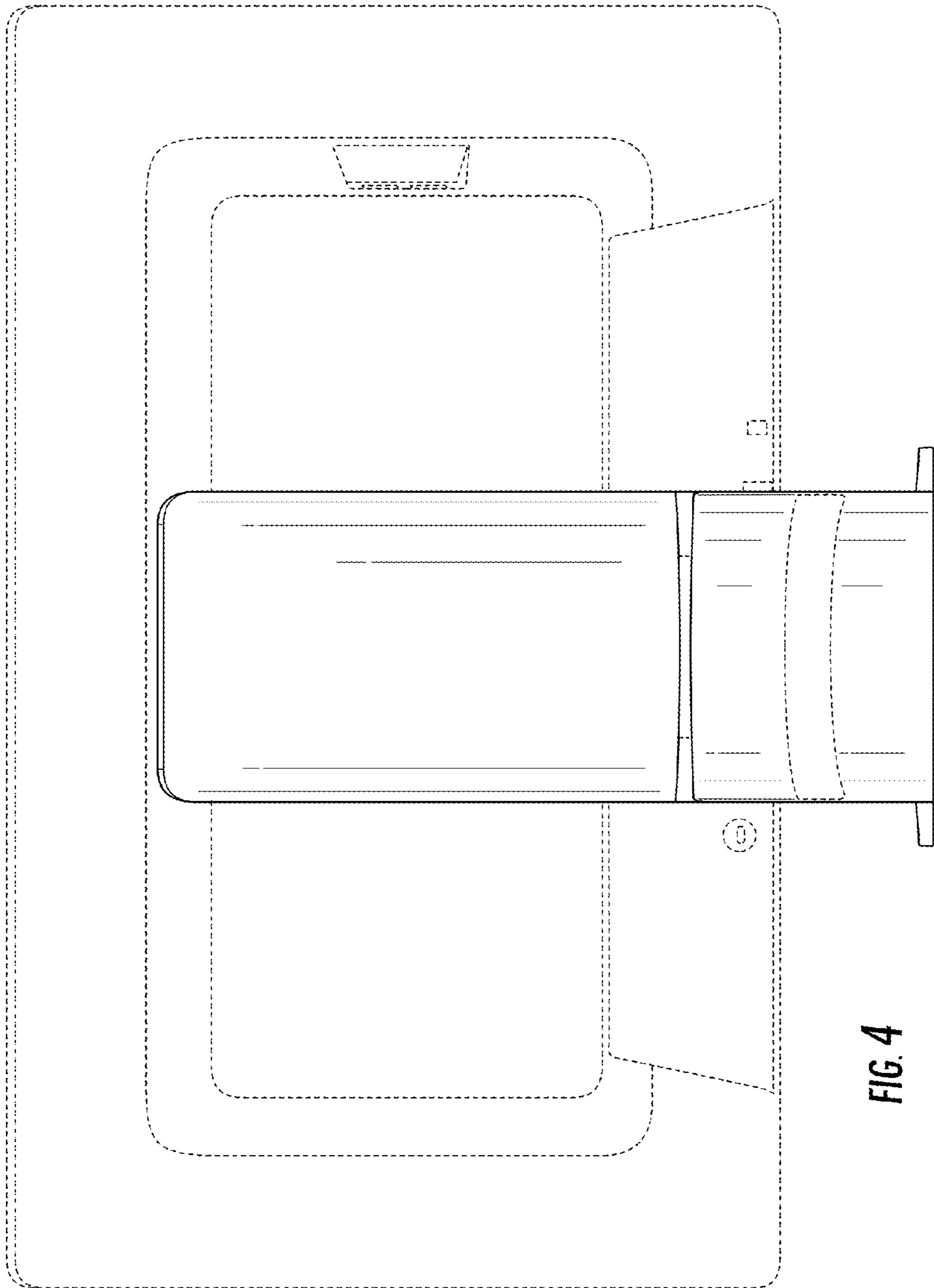


FIG. 4

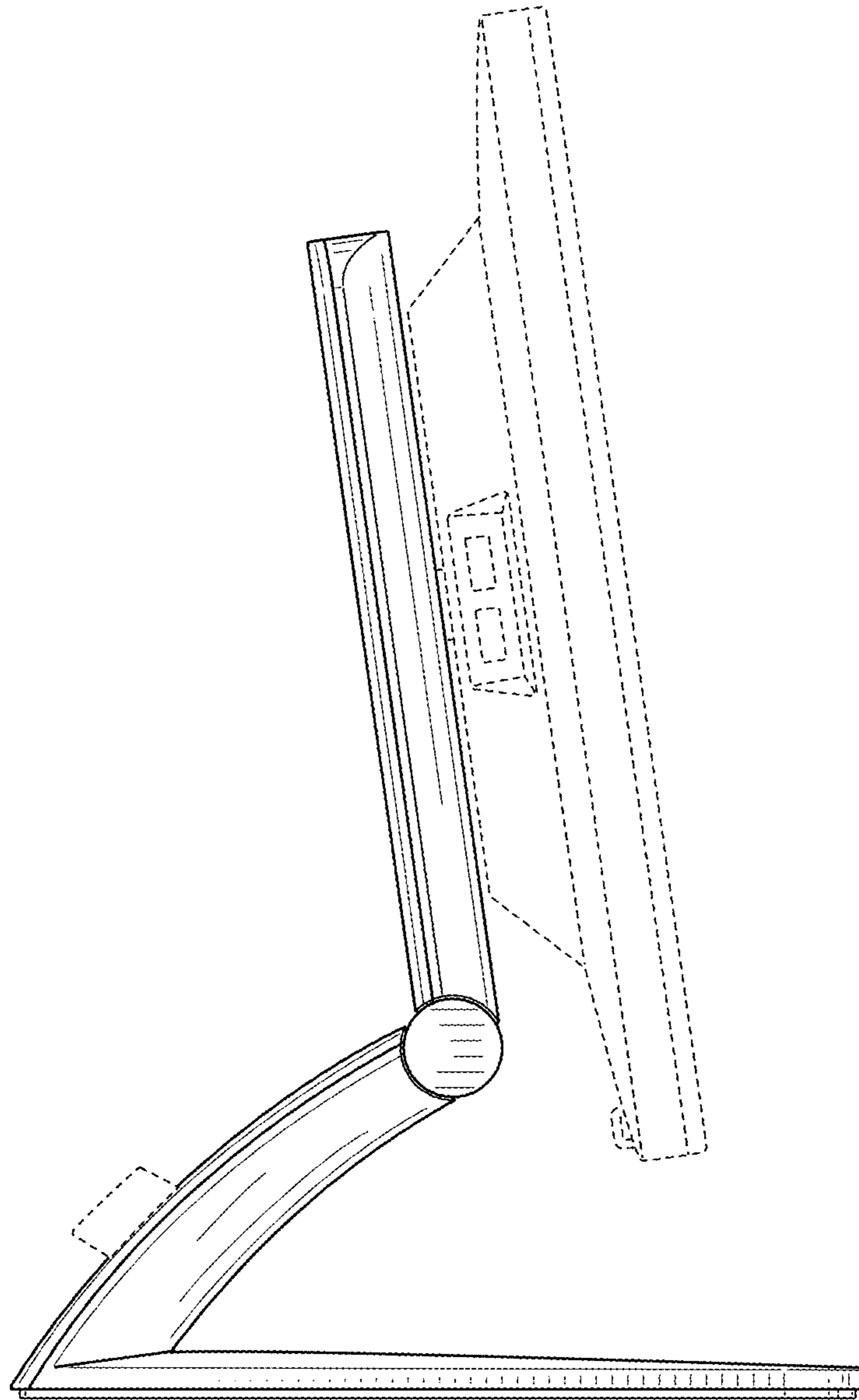


FIG. 5

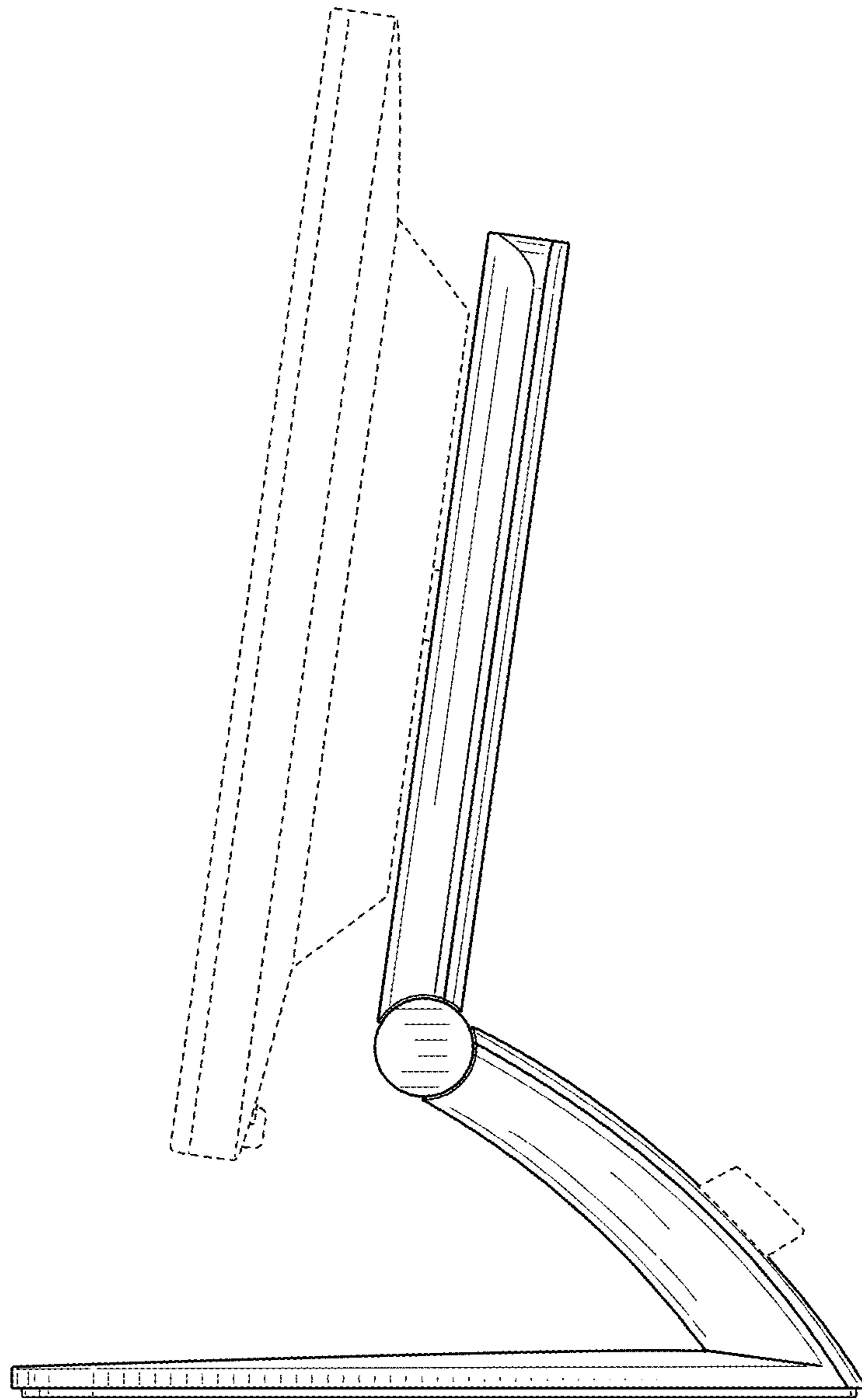


FIG. 6

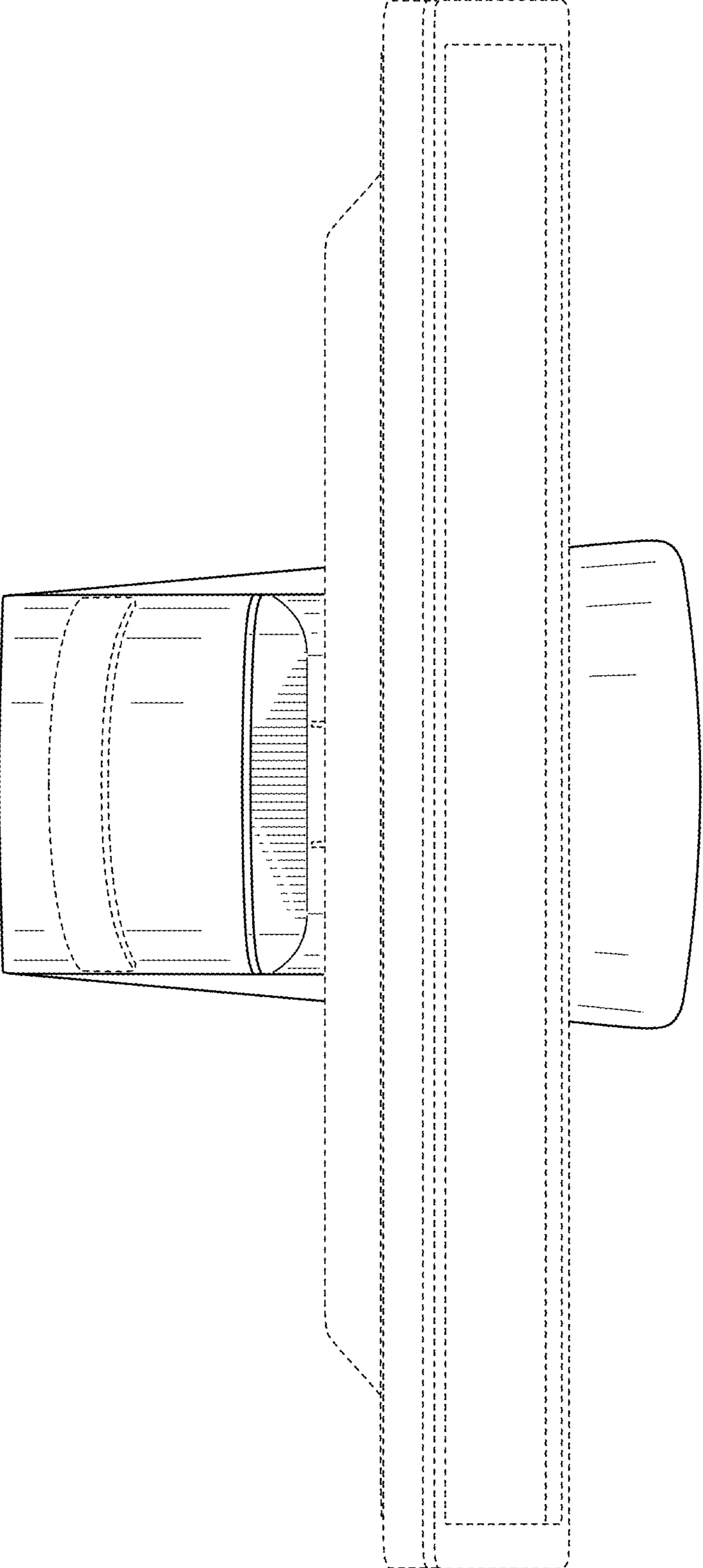


FIG. 7