



US00D696665S

(12) **United States Design Patent**  
**Nakano et al.**

(10) **Patent No.:** **US D696,665 S**  
(45) **Date of Patent:** **\*\* Dec. 31, 2013**

- (54) **COMMUNICATION TERMINAL**
- (75) Inventors: **Rumi Nakano**, Tokyo (JP); **Yuuki Kubota**, Tokyo (JP); **Yosuke Shimizu**, Tokyo (JP); **Naoki Ogishita**, Tokyo (JP)
- (73) Assignee: **Sony Corporation**, Tokyo (JP)
- (\*\*) Term: **14 Years**
- (21) Appl. No.: **29/371,586**
- (22) Filed: **May 3, 2011**

D14/247-248, 250, 389, 388, 315-318;  
D10/65, 104; D18/6, 7; D21/324, 329,  
D21/330; D19/26, 59, 60; 455/556.1, 556.2,  
455/566, 575.1, 90.3; 379/433.04, 433.01,  
379/433.06, 916; 345/901, 905;  
361/679.26, 679.27, 679.3, 679.55,  
361/679.56

See application file for complete search history.

**Related U.S. Application Data**

- (63) Continuation-in-part of application No. 29/347,501, filed on Feb. 12, 2010.

**Foreign Application Priority Data**

- Dec. 25, 2009 (JP) ..... D2009-030406
- Dec. 25, 2009 (JP) ..... D2009-030407
- Dec. 25, 2009 (JP) ..... D2009-030408
- Dec. 25, 2009 (JP) ..... D2009-030409
- Dec. 25, 2009 (JP) ..... D2009-030410
- Dec. 25, 2009 (JP) ..... D2009-030411
- Dec. 25, 2009 (JP) ..... D2009-030412
- Dec. 25, 2009 (JP) ..... D2009-030413
- Dec. 25, 2009 (JP) ..... D2009-030414
- Dec. 25, 2009 (JP) ..... D2009-030415
- Dec. 25, 2009 (JP) ..... D2009-030416
- Dec. 25, 2009 (JP) ..... D2009-030417
- Dec. 25, 2009 (JP) ..... D2009-030418
- Nov. 3, 2010 (JP) ..... D2010-026446
- Nov. 3, 2010 (JP) ..... D2010-026447
- Nov. 3, 2010 (JP) ..... D2010-026448
- Nov. 3, 2010 (JP) ..... D2010-026449
- Nov. 3, 2010 (JP) ..... D2010-026450

(51) **LOC (9) Cl.** ..... **14-02**

(52) **U.S. Cl.**  
USPC ..... **D14/345**

(58) **Field of Classification Search**  
USPC ..... D14/341-347, 137, 138, 138.1, 138 AA,  
D14/138 R, 138 AB, 138 AC, 138 AD, 138 C,  
D14/138 G, 496, 203.1, 203.3, 203.4, 203.5,  
D14/203.7, 426, 427, 432, 429, 129, 130,  
D14/420, 439-441, 448, 125, 147, 156, 218,

(56) **References Cited**

U.S. PATENT DOCUMENTS

D316,544 S \* 4/1991 Esslinger et al. .... D14/325  
D316,545 S \* 4/1991 Esslinger et al. .... D14/325

(Continued)

FOREIGN PATENT DOCUMENTS

JP D1158563 S 11/2002  
JP D1189159 S 11/2003

(Continued)

OTHER PUBLICATIONS

Jack Dempsey; The 2012 Consumer Electronics Show; Jan. 9, 2012;  
The Washington Poast with Bloomberg; "Tablet P"; captured Jan. 12,  
2012.\*

(Continued)

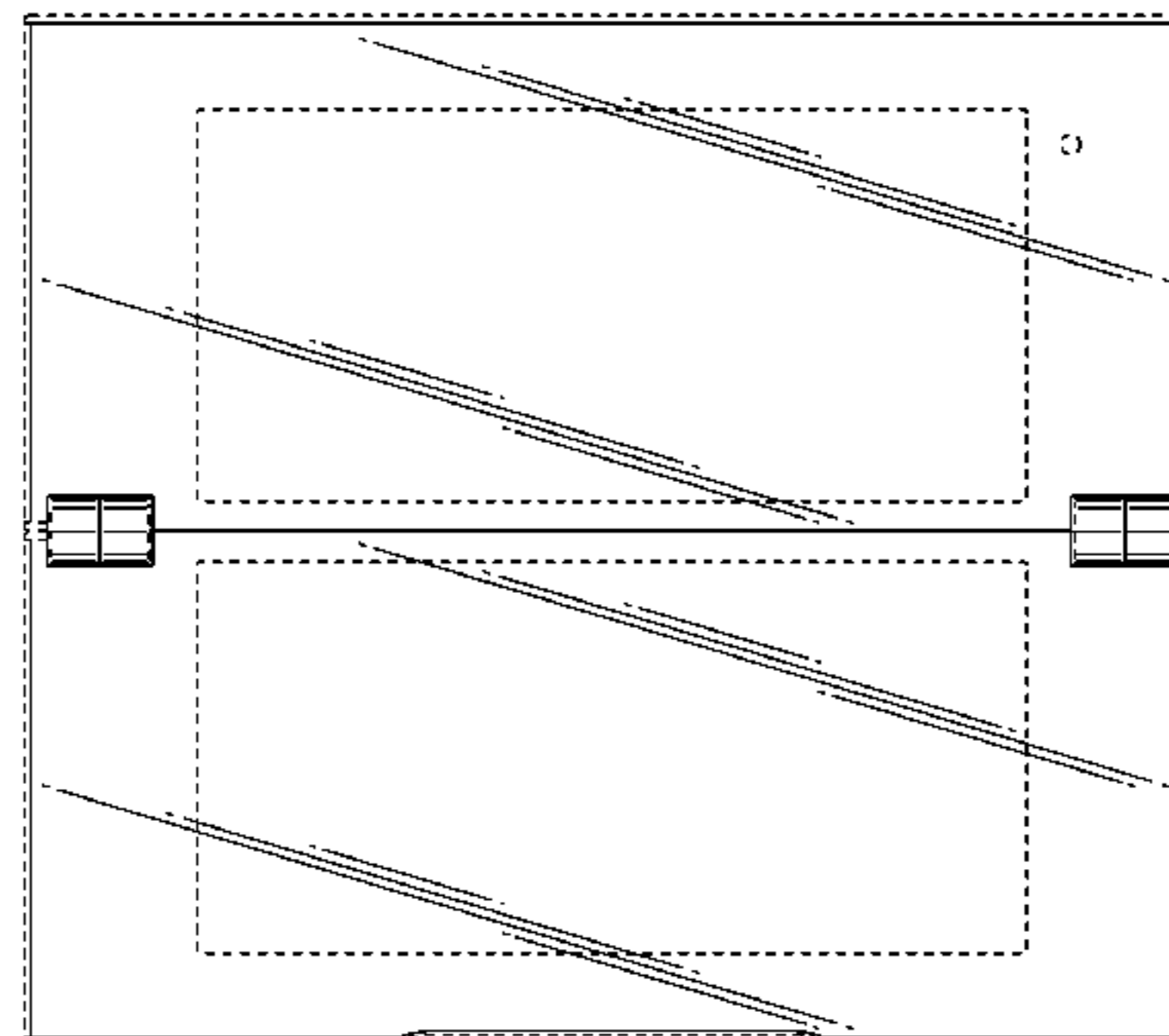
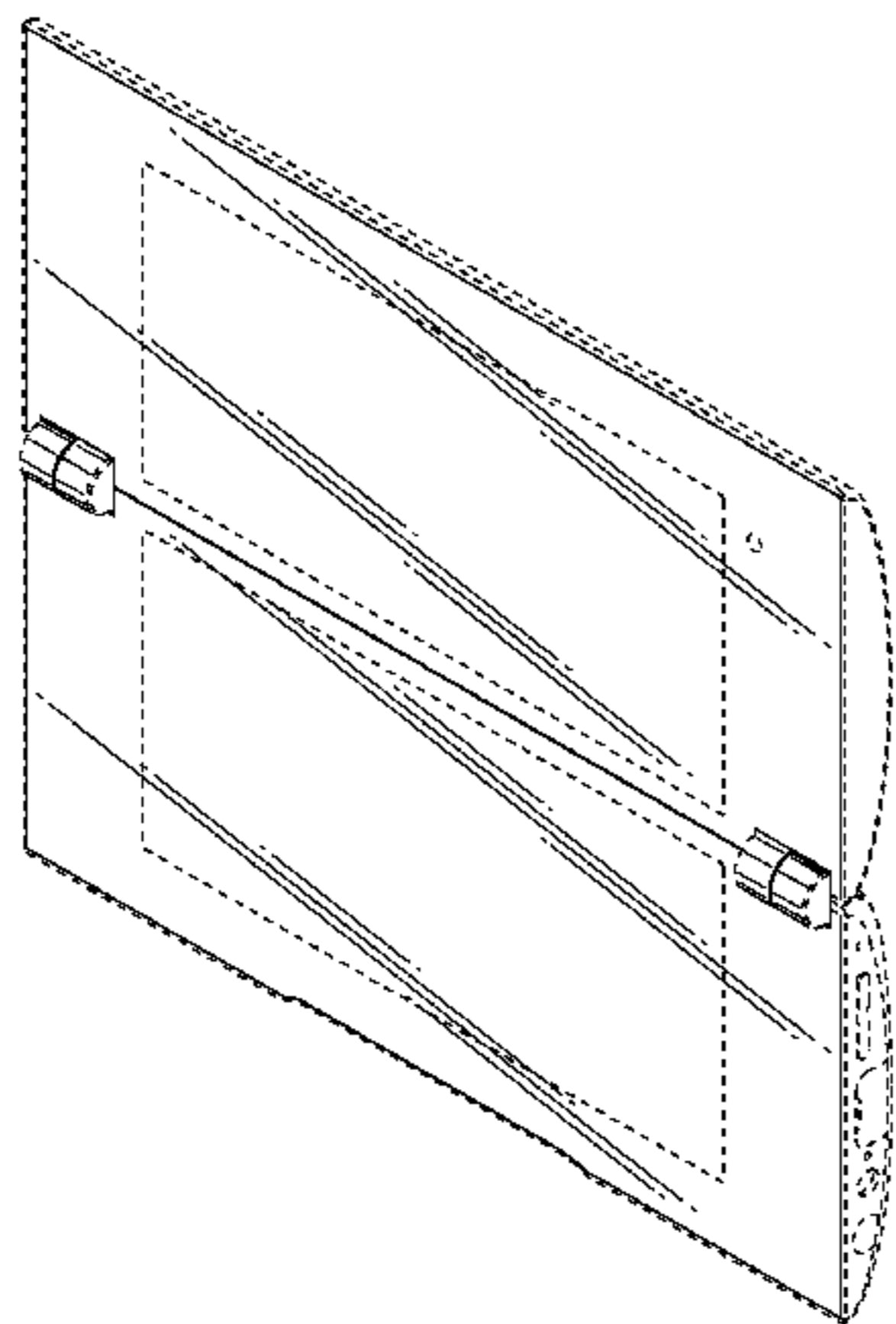
*Primary Examiner* — Barbara Fox  
(74) *Attorney, Agent, or Firm* — Rader, Fishman & Grauer  
PLLC

(57) **CLAIM**  
The ornamental design for a communication terminal, as  
shown and described.

**DESCRIPTION**

FIG. 1 is a perspective view of a first embodiment of a communication terminal showing our new design; and  
FIG. 2 is a front elevational view thereof.  
FIG. 3 is a perspective view of a second embodiment of a communication terminal showing our new design; and,  
FIG. 4 is a front elevational view thereof.  
The even broken lines shown in the drawings are for the purpose of illustrating unclaimed portions of the communication terminal and form no part of the claimed design.

**1 Claim, 4 Drawing Sheets**



(56)

References Cited

U.S. PATENT DOCUMENTS

5,027,394 A \* 6/1991 Ono et al. .... 379/434  
 D319,223 S \* 8/1991 Pierce et al. .... D14/345  
 D325,903 S \* 5/1992 Kimble ..... D14/327  
 D332,945 S \* 2/1993 Savio ..... D14/327  
 D333,129 S \* 2/1993 Derocher ..... D14/345  
 D342,501 S \* 12/1993 Saeki et al. .... D14/126  
 D345,552 S \* 3/1994 Mundt ..... D14/322  
 D346,164 S \* 4/1994 Shirakawa et al. .... D14/138 AB  
 D355,166 S \* 2/1995 Sakaguchi et al. .... D14/345  
 D363,505 S \* 10/1995 Takahata ..... D14/345  
 D365,336 S \* 12/1995 Vossoughi et al. .... D14/322  
 D377,189 S \* 1/1997 Komuta et al. .... D14/345  
 D378,750 S \* 4/1997 Inukai ..... D14/326  
 D386,751 S \* 11/1997 Michael, III ..... D14/346  
 D399,526 S \* 10/1998 Brady ..... D14/345  
 D409,161 S \* 5/1999 Hanafsa et al. .... D14/345  
 D415,474 S \* 10/1999 Goto ..... D14/318  
 D424,537 S \* 5/2000 Arai et al. .... D14/318  
 D430,871 S \* 9/2000 Chu et al. .... D14/345  
 D430,872 S \* 9/2000 Tamaki et al. .... D14/345  
 D435,550 S \* 12/2000 Chu et al. .... D14/345  
 D438,538 S \* 3/2001 Ogasawara ..... D14/317  
 D444,466 S \* 7/2001 Nishida ..... D14/345  
 D448,772 S \* 10/2001 Sugano et al. .... D14/439  
 D466,897 S \* 12/2002 Hata ..... D14/371  
 D477,316 S \* 7/2003 Ogasawara ..... D14/327  
 D477,317 S \* 7/2003 Ogasawara ..... D14/327  
 6,658,271 B1 \* 12/2003 Wu ..... 455/573  
 6,667,877 B2 \* 12/2003 Duquette ..... 361/679.04  
 D489,368 S 5/2004 Yoneda et al.  
 D491,942 S 6/2004 Takahashi  
 D493,455 S \* 7/2004 Ogasawara ..... D14/345  
 D493,463 S 7/2004 Takahashi  
 D494,161 S \* 8/2004 Sawaquchi ..... D14/318  
 D494,166 S 8/2004 Kumagai et al.  
 D503,165 S \* 3/2005 Tsuge ..... D14/501  
 6,865,400 B2 \* 3/2005 Oh et al. .... 455/556.2  
 D504,875 S 5/2005 Yokota  
 6,950,686 B2 \* 9/2005 Won ..... 455/575.3  
 D517,543 S \* 3/2006 Nakajima et al. .... D14/318  
 7,085,596 B2 \* 8/2006 Yu et al. .... 455/575.1  
 D534,514 S \* 1/2007 Hering ..... D14/138 AA  
 D534,531 S \* 1/2007 Ogasawara ..... D14/318  
 D538,278 S \* 3/2007 Tanimura ..... D14/318

D538,287 S \* 3/2007 Kawase ..... D14/439  
 D540,319 S \* 4/2007 Iseki ..... D14/318  
 7,242,975 B2 \* 7/2007 Bae et al. .... 455/575.3  
 7,263,390 B2 \* 8/2007 Lin ..... 455/575.1  
 D556,212 S \* 11/2007 Hussaini et al. .... D14/496  
 D559,247 S \* 1/2008 Kawase ..... D14/318  
 D559,267 S \* 1/2008 Griffin et al. .... D14/496  
 D561,246 S \* 2/2008 Matsuda et al. .... D18/7  
 D567,813 S \* 4/2008 Ohno ..... D14/318  
 D572,222 S \* 7/2008 Choi et al. .... D14/138 AB  
 7,489,507 B2 \* 2/2009 Karashima et al. .... 361/679.28  
 D587,704 S \* 3/2009 McCoy ..... D14/345  
 D591,285 S \* 4/2009 Lu ..... D14/327  
 D593,085 S \* 5/2009 Behar et al. .... D14/327  
 D593,086 S \* 5/2009 Behar et al. .... D14/327  
 D601,556 S \* 10/2009 Iseki ..... D14/327  
 7,679,901 B2 \* 3/2010 Lin ..... 361/679.43  
 D616,435 S \* 5/2010 Kurosawa et al. .... D14/318  
 D616,881 S \* 6/2010 Andre et al. .... D14/318  
 D617,790 S \* 6/2010 Sapper et al. .... D14/327  
 7,730,587 B2 \* 6/2010 Chang et al. .... 16/340  
 D626,124 S \* 10/2010 Chyan et al. .... D14/341  
 7,920,320 B2 \* 4/2011 Watson et al. .... 359/296  
 D640,686 S \* 6/2011 Daniel ..... D14/327  
 D643,842 S \* 8/2011 Marshall et al. .... D14/434  
 D645,854 S \* 9/2011 Hsu et al. .... D14/315  
 2004/0219501 A1 \* 11/2004 Small et al. .... 434/317  
 2006/0214919 A1 \* 9/2006 Moore et al. .... 345/173  
 2008/0253073 A1 \* 10/2008 Kee et al. .... 361/681  
 2008/0298083 A1 \* 12/2008 Watson et al. .... 362/603  
 2009/0040707 A1 \* 2/2009 Karashima et al. .... 361/681

FOREIGN PATENT DOCUMENTS

JP D1189441 S 11/2003  
 JP D1225602 S 12/2004  
 JP D1288213 S 12/2006  
 JP D1334262 S 6/2008  
 JP D1363795 S 6/2009  
 JP D1392438 S 7/2010

OTHER PUBLICATIONS

Eliane Fiolet; Sony Tablet P; Aug. 31, 2011; Ubergizmo; "Sony Tablet P"; captured Jan. 12, 2012.\*

\* cited by examiner

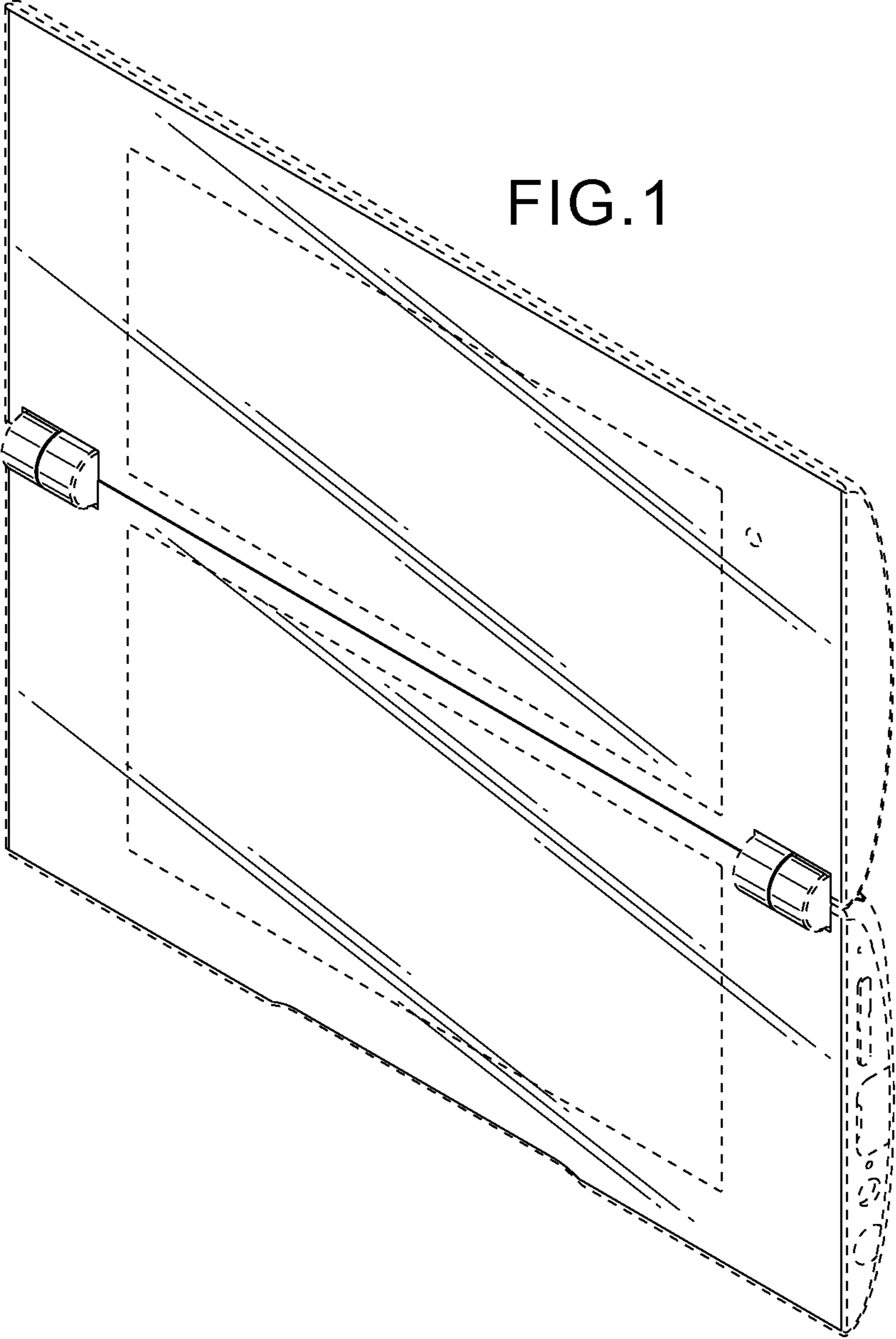


FIG. 1

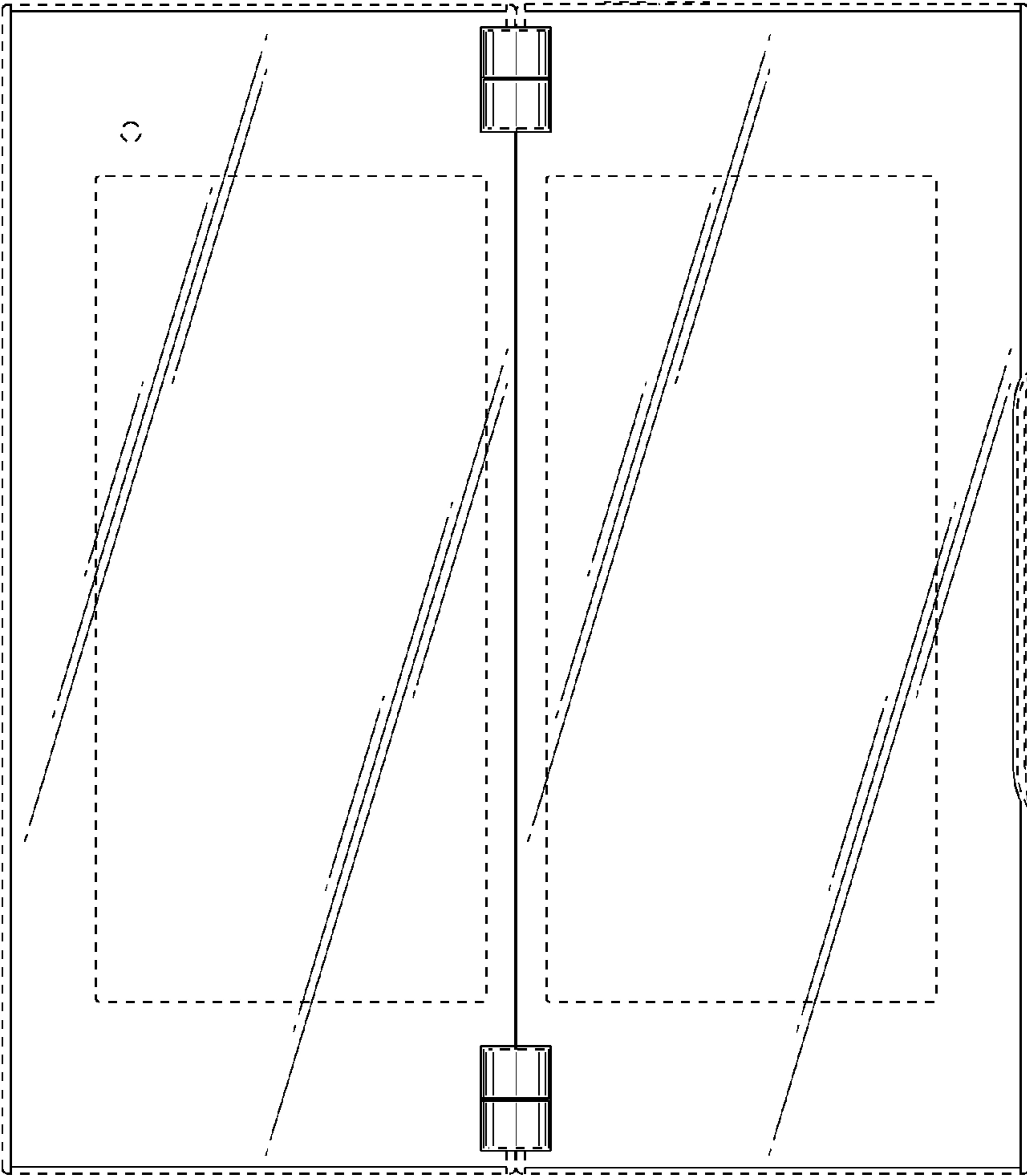


FIG.2

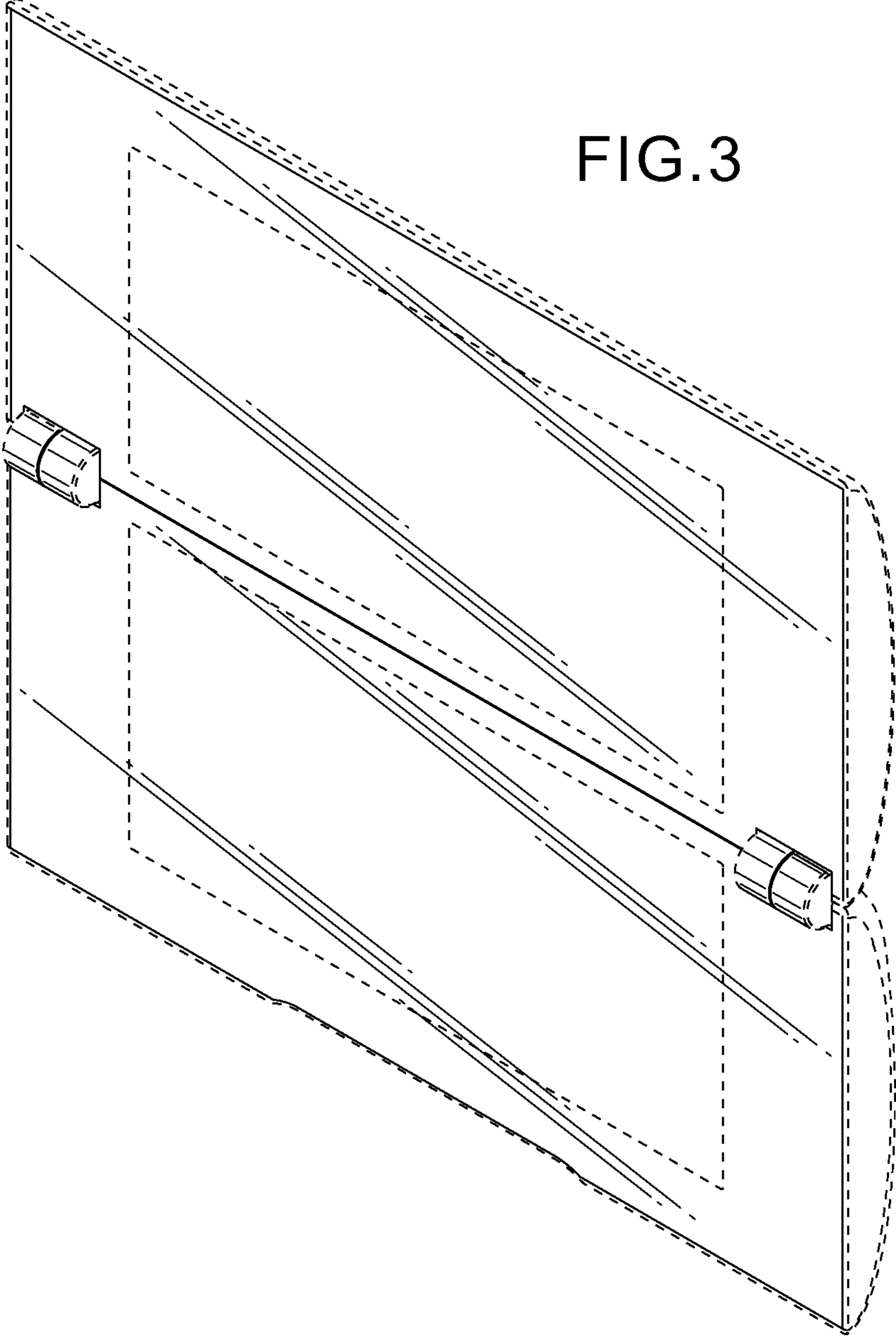


FIG. 3

FIG.4

