

US00D696662S

(12) **United States Design Patent**
Song et al.

(10) **Patent No.:** **US D696,662 S**

(45) **Date of Patent:** **** Dec. 31, 2013**

(54) **TABLET COMPUTER**

(75) Inventors: **Byeong-Yong Song**, Goyang (KR);
Se-Hun Oh, Seoul (KR); **Yeo-Wan Yun**,
Seongnam (KR); **Kyu-Young Hong**,
Seongnam (KR)

(73) Assignee: **Samsung Electronics Co., Ltd.**,
Suwon-Si (KR)

(**) Term: **14 Years**

(21) Appl. No.: **29/422,467**

(22) Filed: **May 21, 2012**

(30) **Foreign Application Priority Data**

Nov. 29, 2011 (KR) 30-2011-0050353

(51) **LOC (9) Cl.** **14-02**

(52) **U.S. Cl.**
USPC **D14/341**

(58) **Field of Classification Search**
USPC D14/341-347, 137, 138 AA, 138 R,
D14/138 C, 138 G, 496, 203.1, 203.3, 203.7,
D14/426, 129, 130, 420, 147, 218, 247-248,
D14/389, 388, 315-318; D10/65, 104.1;
D18/6-7; D21/324, 329, 330;
455/556.1, 556.2, 566, 575.1, 90.3;
379/433.04, 433.01, 433.06, 916;
345/173, 901, 905; 361/679.26,
361/679.27, 679.3, 679.55, 679.56,
361/680-686; 248/917-924; 348/373, 376
See application file for complete search history.

(56) **References Cited**

U.S. PATENT DOCUMENTS

D284,084 S * 6/1986 Ferrara, Jr. D14/389
D306,583 S 3/1990 Krolopp et al.
D333,574 S 3/1993 Ackeret

D337,569 S * 7/1993 Kando D14/341
D500,991 S 1/2005 Niitsu
D504,889 S * 5/2005 Andre et al. D14/341
D532,791 S 11/2006 Kim
D558,460 S * 1/2008 Yu et al. D6/308

(Continued)

FOREIGN PATENT DOCUMENTS

KR 3005985190000 5/2011
KR 3005994750000 5/2011

(Continued)

OTHER PUBLICATIONS

U.S. Appl. No. 29/390,463, Applicant: Kim, et al., filed Apr. 25, 2011
entitled Tablet Computer.

(Continued)

Primary Examiner — Barbara Fox

(74) *Attorney, Agent, or Firm* — Wood, Herron & Evans,
LLP

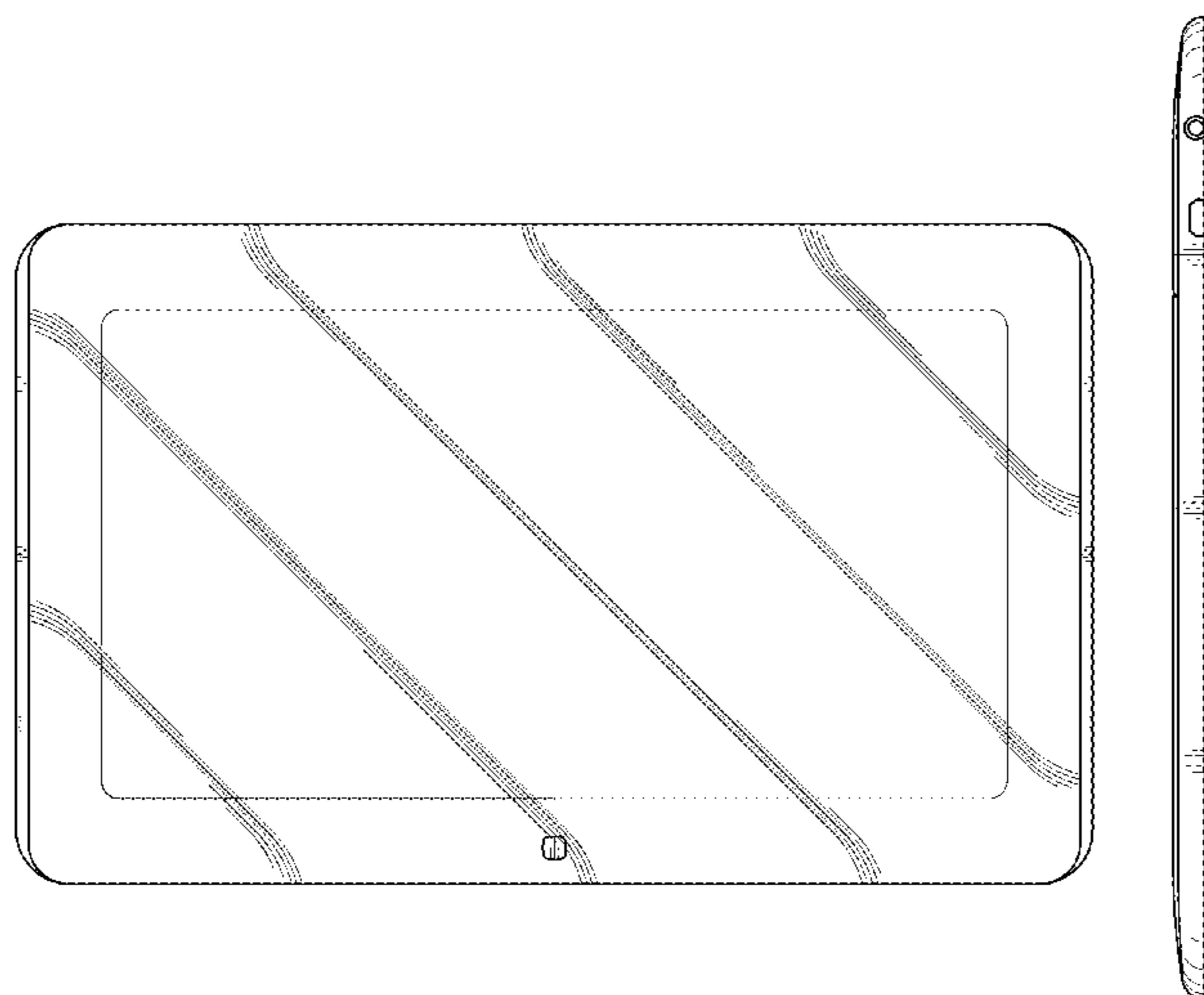
(57) **CLAIM**

The ornamental design for a tablet computer, as shown and
described.

DESCRIPTION

FIG. 1 is a top front perspective view of a tablet computer
showing our new design;
FIG. 2 is a front elevational view thereof;
FIG. 3 is a rear elevational view thereof;
FIG. 4 is a left side elevational view thereof;
FIG. 5 is a right side elevational view thereof;
FIG. 6 is a top plan view thereof;
FIG. 7 is a bottom plan view thereof; and,
FIG. 8 is a reference view thereof when the support board is
extruded.
The broken line showing of the support board in FIG. 8 is for
illustrative purposes and forms no part of the claimed design.

1 Claim, 4 Drawing Sheets



(56)

References Cited

U.S. PATENT DOCUMENTS

D558,756 S * 1/2008 Andre et al. D14/341
D563,804 S 3/2008 Kimura et al.
D579,930 S 11/2008 Maskatia
D584,738 S * 1/2009 Kim et al. D14/496
D585,399 S * 1/2009 Hwang D14/130
D590,374 S 4/2009 Madonna et al.
D592,214 S 5/2009 Bradford
D602,014 S * 10/2009 Andre et al. D14/341
D602,015 S * 10/2009 Andre et al. D14/341
D602,017 S * 10/2009 Andre et al. D14/341
D602,486 S * 10/2009 Andre et al. D14/341
D602,487 S * 10/2009 Maskatia D14/341
D605,626 S 12/2009 Park
D610,582 S 2/2010 Sugitani et al.
D611,364 S 3/2010 Lenz et al.
D613,510 S 4/2010 Tzeng et al.
D613,951 S 4/2010 Tang et al.
D615,083 S * 5/2010 Andre et al. D14/341
D617,793 S 6/2010 Chiang et al.
D622,270 S 8/2010 Andre et al.
D624,896 S * 10/2010 Park et al. D14/138 G
D626,437 S * 11/2010 Lee et al. D10/65
D627,667 S 11/2010 Lenz et al.
D628,913 S 12/2010 Cheng
D629,799 S 12/2010 Andre et al.
D636,769 S * 4/2011 Wood et al. D14/341
D637,596 S * 5/2011 Akana et al. D14/341
D639,805 S * 6/2011 Song et al. D14/341
D640,255 S 6/2011 Lee et al.
D640,663 S * 6/2011 Arnholt et al. D14/138 G
D641,018 S * 7/2011 Lee et al. D14/341
D642,563 S * 8/2011 Akana et al. D14/341
D645,015 S * 9/2011 Lee et al. D14/138 G
D645,435 S * 9/2011 Kim et al. D14/138 G
D645,833 S * 9/2011 Seflic et al. D14/138 G
D650,381 S * 12/2011 Park et al. D14/341
D654,460 S * 2/2012 Kim et al. D14/138 G
D654,497 S * 2/2012 Lee D14/341
D656,137 S * 3/2012 Chung et al. D14/341
D663,298 S * 7/2012 Song et al. D14/341
D664,540 S * 7/2012 Kim et al. D14/341
D664,954 S * 8/2012 Kim et al. D14/341
D666,198 S * 8/2012 Van Den Nieuwenhuizen
et al. D14/341
D667,395 S * 9/2012 Lee D14/341
D667,396 S * 9/2012 Koh D14/341
D667,397 S * 9/2012 Koh D14/341
D667,398 S * 9/2012 Koh D14/341
D667,399 S * 9/2012 Koh D14/341
D668,650 S * 10/2012 Han D14/341
D668,651 S * 10/2012 Kim et al. D14/341
D668,652 S * 10/2012 Kim et al. D14/341
D669,469 S * 10/2012 Kang D14/341
D670,692 S * 11/2012 Akana et al. D14/341
D671,514 S * 11/2012 Kim et al. D14/138 G
D671,938 S * 12/2012 Hsu et al. D14/341
D672,344 S * 12/2012 Li D14/341
D672,345 S * 12/2012 Li D14/341
D672,739 S * 12/2012 Sin D14/138 G
D672,768 S * 12/2012 Huang et al. D14/341
D673,561 S * 1/2013 Hyun et al. D14/341
D673,948 S * 1/2013 Andre et al. D14/341
D673,950 S * 1/2013 Li et al. D14/341
D674,369 S * 1/2013 JaeWoong D14/138 G
D675,203 S * 1/2013 Yang D14/341
D675,588 S * 2/2013 Park D14/138 G
D675,612 S * 2/2013 Andre et al. D14/341
D676,443 S * 2/2013 Canizares et al. D14/341
D676,819 S * 2/2013 Choi D14/138 G
D677,255 S * 3/2013 McManigal et al. D14/341
D677,640 S * 3/2013 Kim et al. D14/138 G

D677,659 S * 3/2013 Akana et al. D14/341
D677,660 S * 3/2013 Groene et al. D14/341
D678,271 S * 3/2013 Chiu D14/341
D678,272 S * 3/2013 Groene et al. D14/345
D678,877 S * 3/2013 Groene et al. D14/341
8,400,767 B2 * 3/2013 Yeom et al. 361/679.59
D679,706 S * 4/2013 Tang et al. D14/341
D680,524 S * 4/2013 Feng et al. D14/341
D681,032 S * 4/2013 Akana et al. D14/341
D681,583 S * 5/2013 Park D14/138 G
D681,591 S * 5/2013 Sung D14/138 G
D681,632 S * 5/2013 Akana et al. D14/341
D682,239 S * 5/2013 Yeh et al. D14/138 G
D684,553 S * 6/2013 Kim et al. D14/138 G
D684,968 S * 6/2013 Smith et al. D14/341
D685,778 S * 7/2013 Fahrendorff et al. D14/250
D685,783 S * 7/2013 Bryan et al. D14/341
2005/0052831 A1 * 3/2005 Chen 361/680
2009/0231292 A1 9/2009 Hsieh et al.

FOREIGN PATENT DOCUMENTS

KR 3006004150000 6/2011
KR 3006004300000 6/2011
KR 3006046440000 7/2011

OTHER PUBLICATIONS

U.S. Appl. No. 29/390,464, Applicant: Kim, et al., filed Apr. 25, 2011 entitled Tablet Computer.
U.S. Appl. No. 29/407,982, Applicant Lee et al, filed Dec. 6, 2011, entitled Tablet Computer.
U.S. Appl. No. 29/407,996, Applicant Lee et al, filed Dec. 6, 2011, entitled Charger for Tablet Computer.
U.S. Appl. No. 29/407,981, Applicant Chun et al, filed Dec. 6, 2011, entitled Cradle for Tablet Computer.
U.S. Appl. No. 29/407,975, Applicant Chun et al, filed Dec. 6, 2011, entitled Tablet Computer.
U.S. Appl. No. 29/407,989, Applicant Lee et al, filed Dec. 6, 2011, entitled Cradle for Tablet Computer.
U.S. Appl. No. 29/408,009, Applicant Song et al, filed Dec. 6, 2011, entitled Tablet Computer.
U.S. Appl. No. 29/408,017, Applicant Song et al, filed Dec. 6, 2011, entitled Tablet Computer.
U.S. Appl. No. 29/390,462, Applicant Kim et al, filed Apr. 25, 2011, entitled Tablet Computer.
U.S. Appl. No. 29/418,670, Applicant Song et al., filed Apr. 19, 2012, entitled Tablet Computer.
U.S. Appl. No. 29/405,537, Applicant Ik-Sang Kim, filed Nov. 3, 2011, entitled Tablet Computer.
U.S. Appl. No. 29/416,029, Applicant Kim et al., filed Mar. 16, 2012, entitled Tablet Computer.
U.S. Appl. No. 29/419,911, Applicant Kim et al., filed May 2, 2012, entitled Tablet Computer.
U.S. Appl. No. 29/407,984, Applicant Jeon et al., filed Dec. 6, 2011, entitled Tablet Computer.
U.S. Appl. No. 29/416,032, Applicant Kim et al., filed Mar. 16, 2012, entitled Tablet Computer.
U.S. Appl. No. 29/419,893, Applicant Ik-Sang Kim, filed May 2, 2012, entitled Slate Computer.
U.S. Appl. No. 29/419,907, Applicant Ik-Sang Kim, filed May 2, 2012, entitled Slate Computer.
U.S. Appl. No. 29/420,669, Applicant Lim et al., filed May 11, 2012, entitled Tablet Computer.
U.S. Appl. No. 29/425,227, Applicant Kim et al., filed Jun. 20, 2012, entitled Tablet Computer.
U.S. Appl. No. 29/425,977, Applicant Ji-Sang Park, filed Jun. 28, 2012, entitled Tablet Computer.
U.S. Appl. No. 29/425,978, Applicant Lim et al., filed Jun. 28, 2012, entitled Tablet Computer.

* cited by examiner

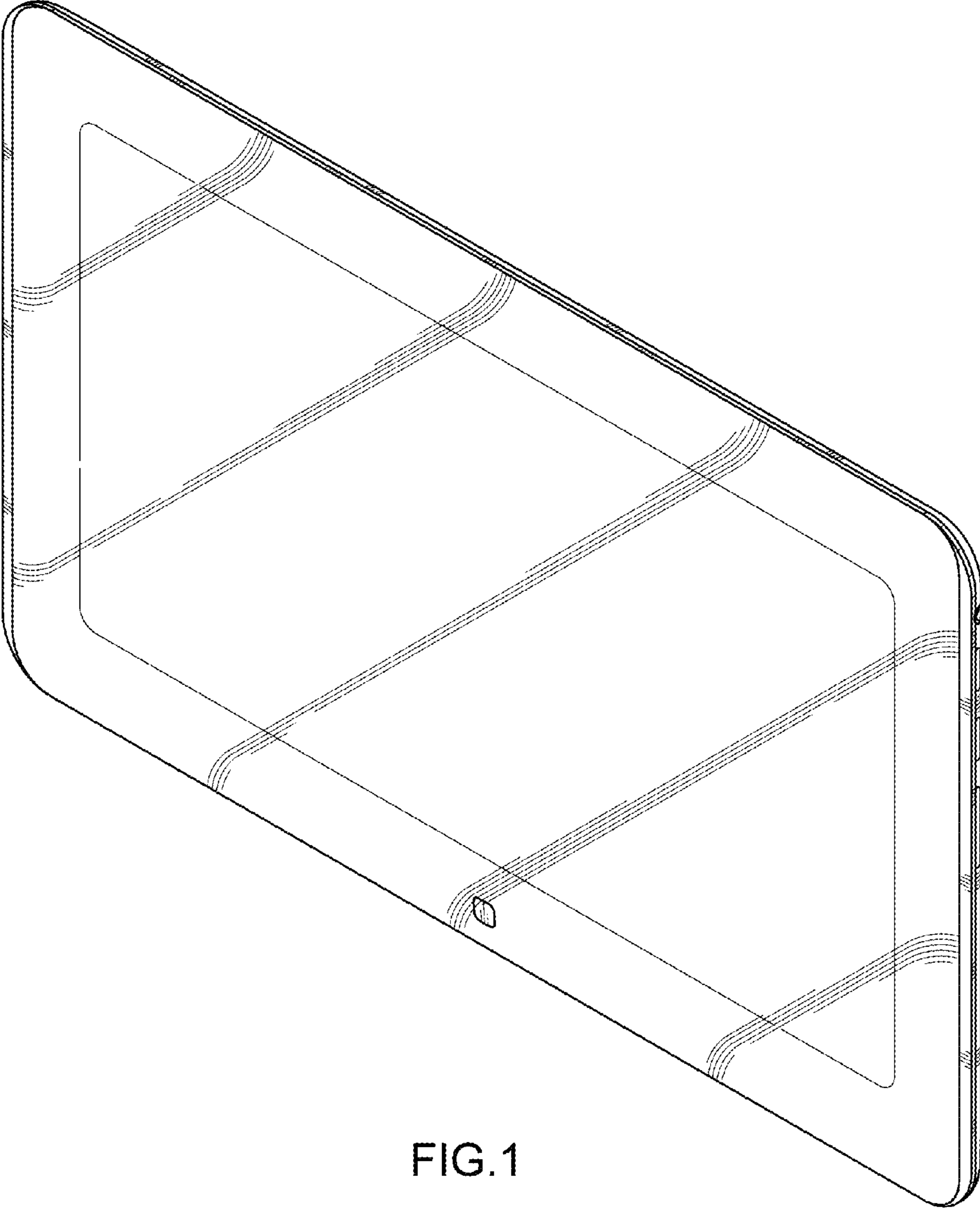


FIG. 1

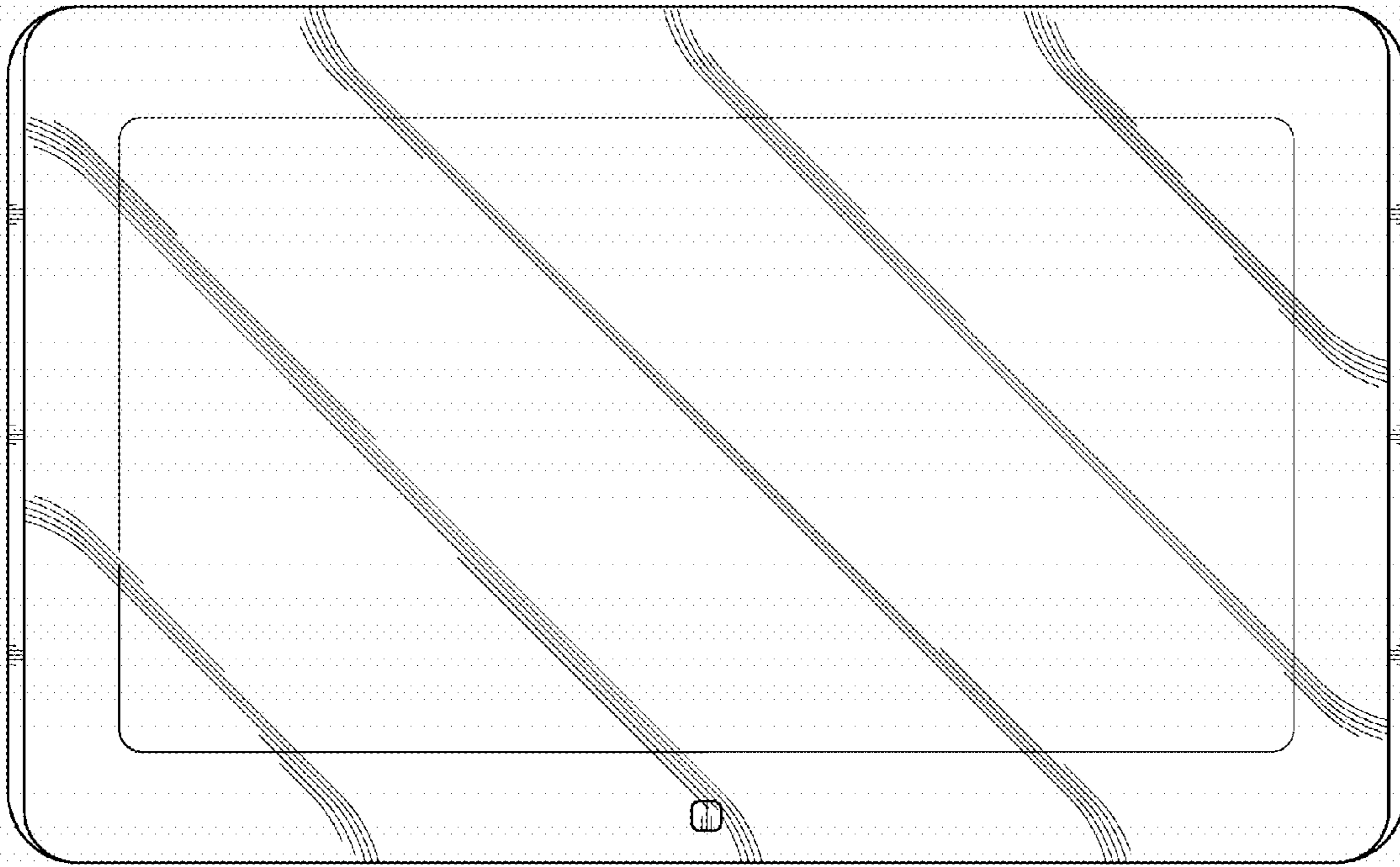


FIG. 2

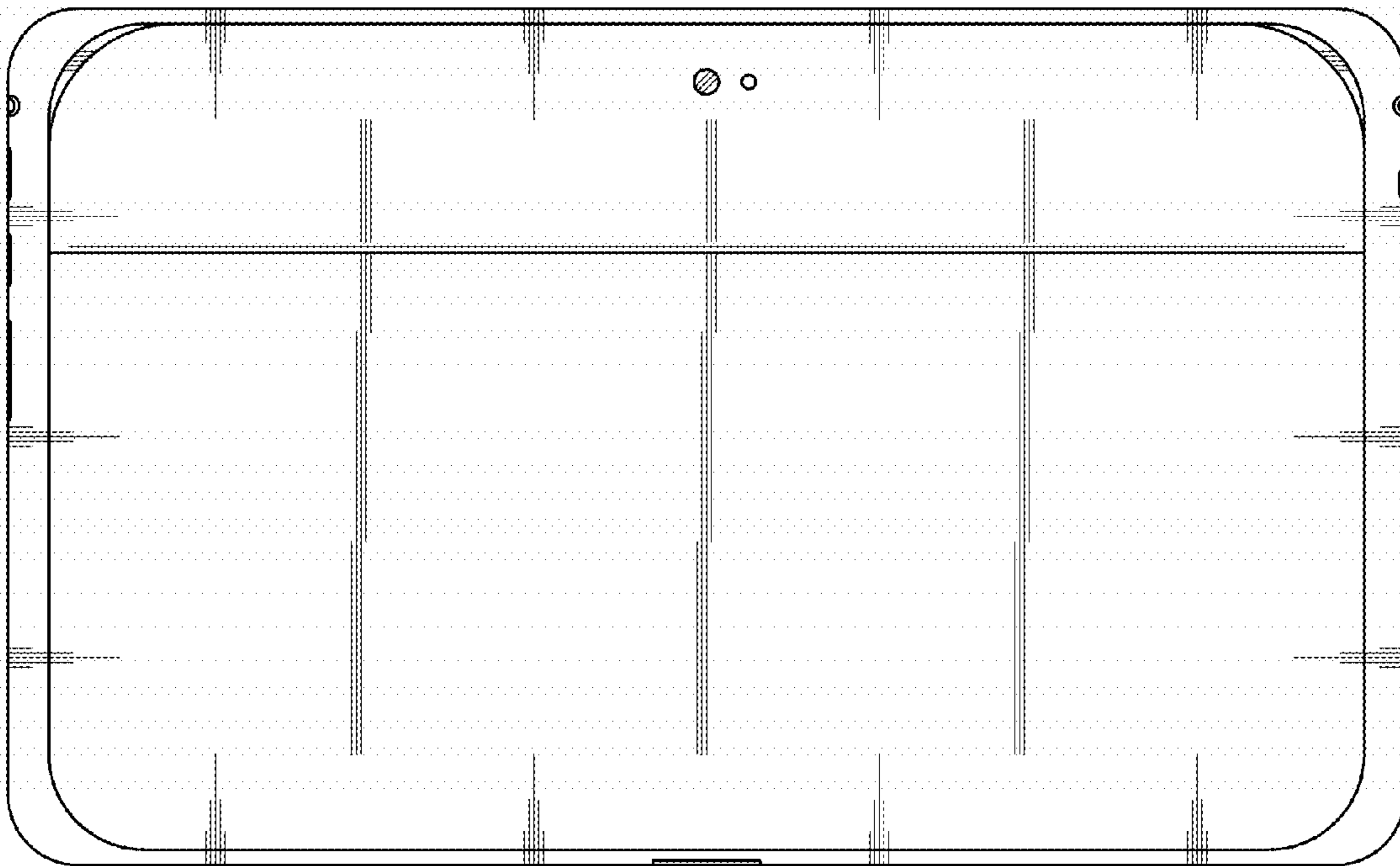


FIG. 3

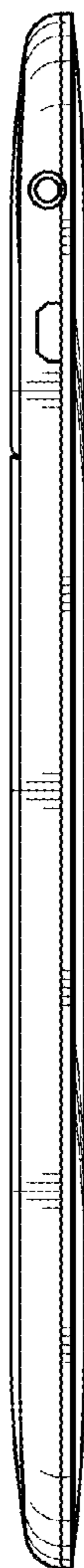


FIG. 4

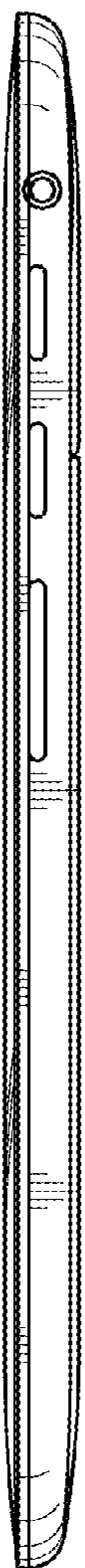


FIG. 5



FIG. 6



FIG. 7

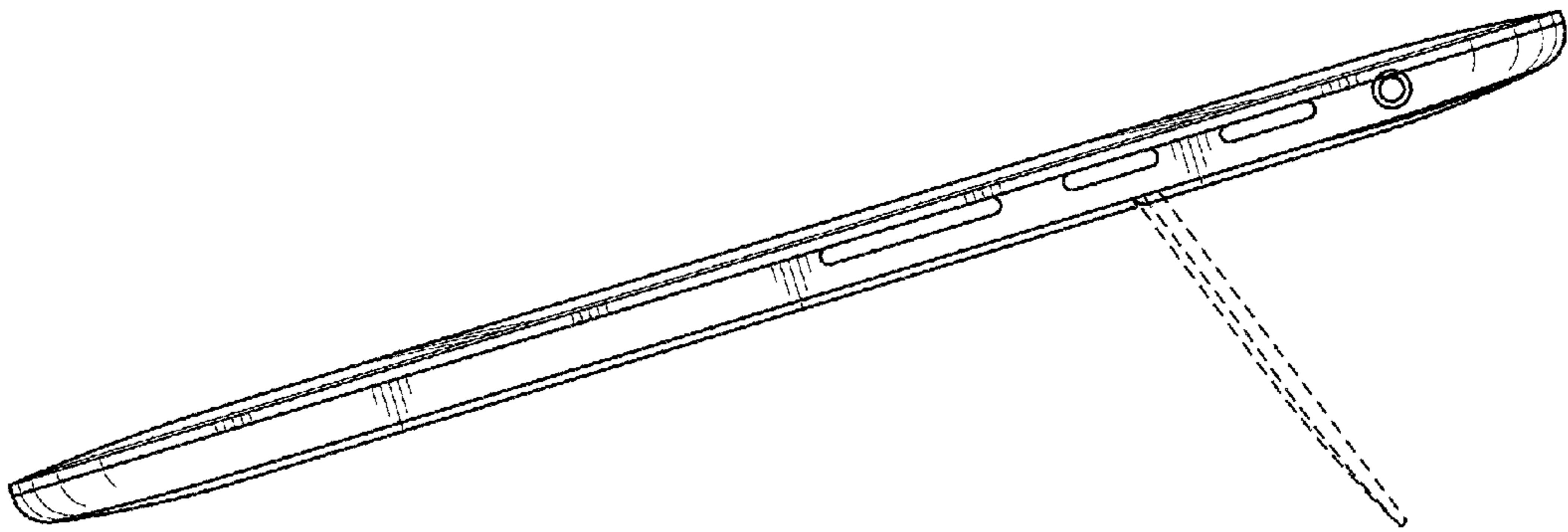


FIG.8