

US00D696658S

(12) **United States Design Patent**
Winston et al.

(10) **Patent No.:** **US D696,658 S**
(45) **Date of Patent:** **** Dec. 31, 2013**

- (54) **KIOSK FOR ELECTRONIC DOWNLOADS**
- (71) Applicants: **Jason Michael Winston**, Toronto (CA);
Colin Michael Reade, Oshawa (CA)
- (72) Inventors: **Jason Michael Winston**, Toronto (CA);
Colin Michael Reade, Oshawa (CA)

D637,595 S *	5/2011	Mizusugi	D14/307
D645,223 S *	9/2011	Bleck et al.	D99/28
D661,292 S *	6/2012	Kuroda et al.	D14/307
D661,293 S *	6/2012	Kuroda et al.	D14/307
D671,535 S *	11/2012	Terashima et al.	D14/307
D675,609 S *	2/2013	Ono	D14/307

(73) Assignee: **Spigot Media Corp.**, Ontario (CA)

(**) Term: **14 Years**

(21) Appl. No.: **29/461,556**

(22) Filed: **Jul. 24, 2013**

(51) **LOC (9) Cl.** **14-02**

(52) **U.S. Cl.**
USPC **D14/307**

(58) **Field of Classification Search**
USPC D14/315–327, 384, 432, 439–446, 341,
D14/345, 353–355, 125, 130, 132, 138,
D14/239; D16/202, 208; D9/424–432;
D6/491; D8/403; 235/145 A, 145 R;
341/22, 23; 349/12; 361/680–686;
D20/10, 41, 43

See application file for complete search history.

(56) **References Cited**

U.S. PATENT DOCUMENTS

D415,736 S *	10/1999	Witte	D14/307
D591,078 S *	4/2009	Singler et al.	D6/432
D602,932 S *	10/2009	Sasaki et al.	D14/307
D605,190 S *	12/2009	Kuroda et al.	D14/307

OTHER PUBLICATIONS

<http://www.engadget.com/2008/05/29/dvdpaly-to-add-blu-ray-discs-in-movie-trental-kiosks>; retrieved on Jul. 24, 2013; 2 pages.
http://www.Redyref.com/telephone_specialties/mk_series-3310; retrieved on Jul. 24, 2013, 1 page.

* cited by examiner

Primary Examiner — Austin Murphy

(74) *Attorney, Agent, or Firm* — Fish & Richardson P.C.

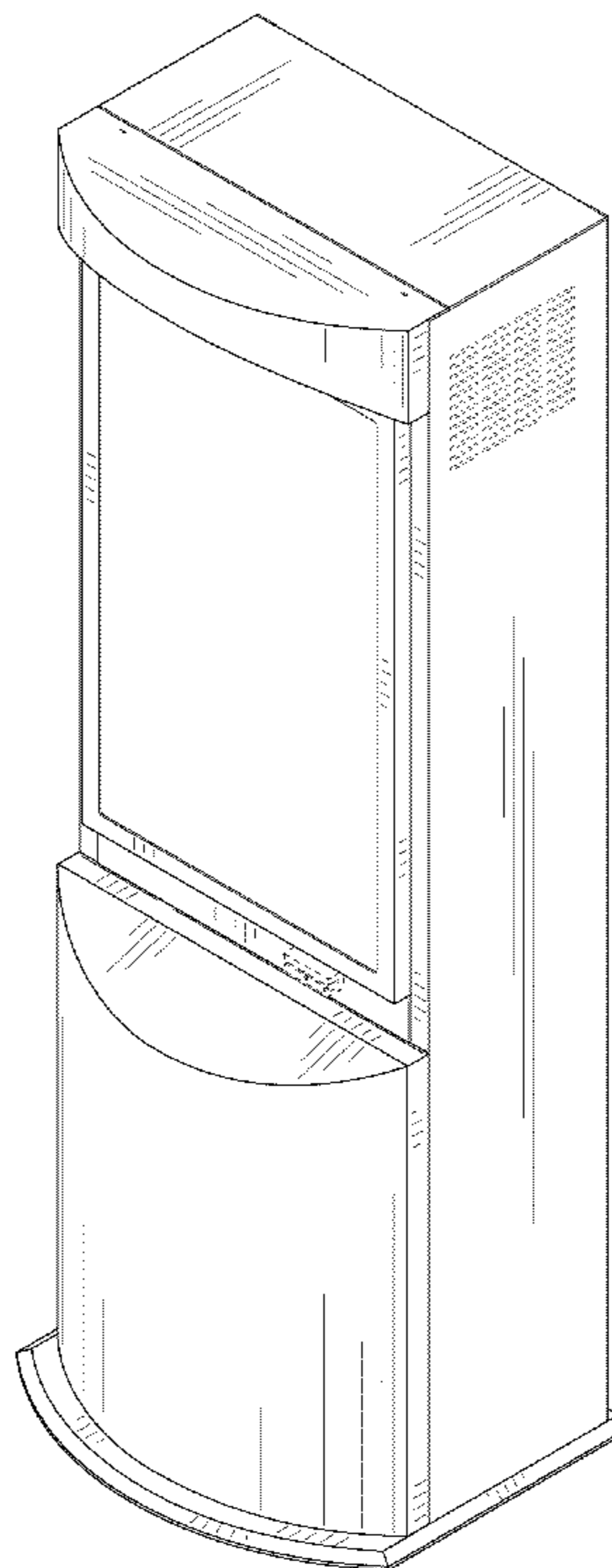
(57) **CLAIM**

The ornamental design for a kiosk for electronic downloads, substantially as shown and described.

DESCRIPTION

FIG. 1 is a perspective view of a kiosk.
FIG. 2 is a front view of the kiosk.
FIG. 3 is a back view of the kiosk.
FIG. 4 is a right side view of the kiosk.
FIG. 5 is a left side view of the kiosk.
FIG. 6 is a top view of the kiosk; and,
FIG. 7 is a bottom view of the kiosk.
The broken lines which define the bounds of the claimed design form no part thereof.

1 Claim, 4 Drawing Sheets



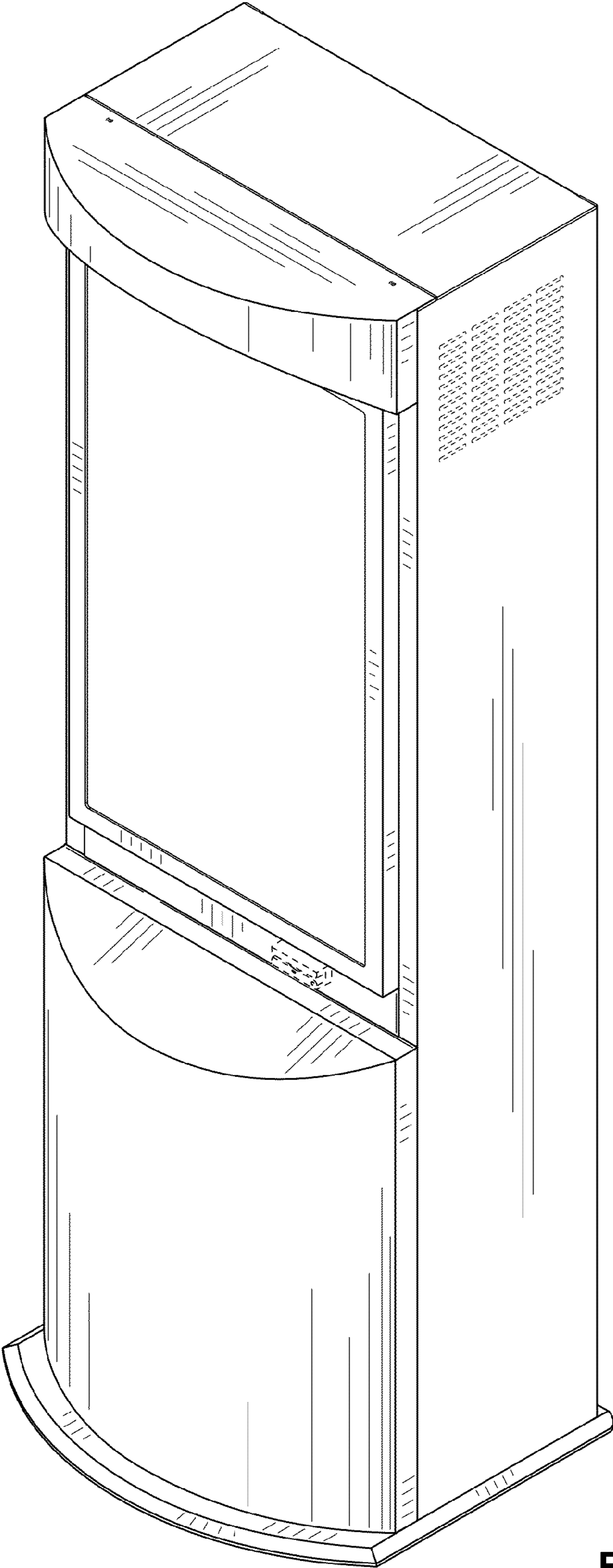


FIG. 1

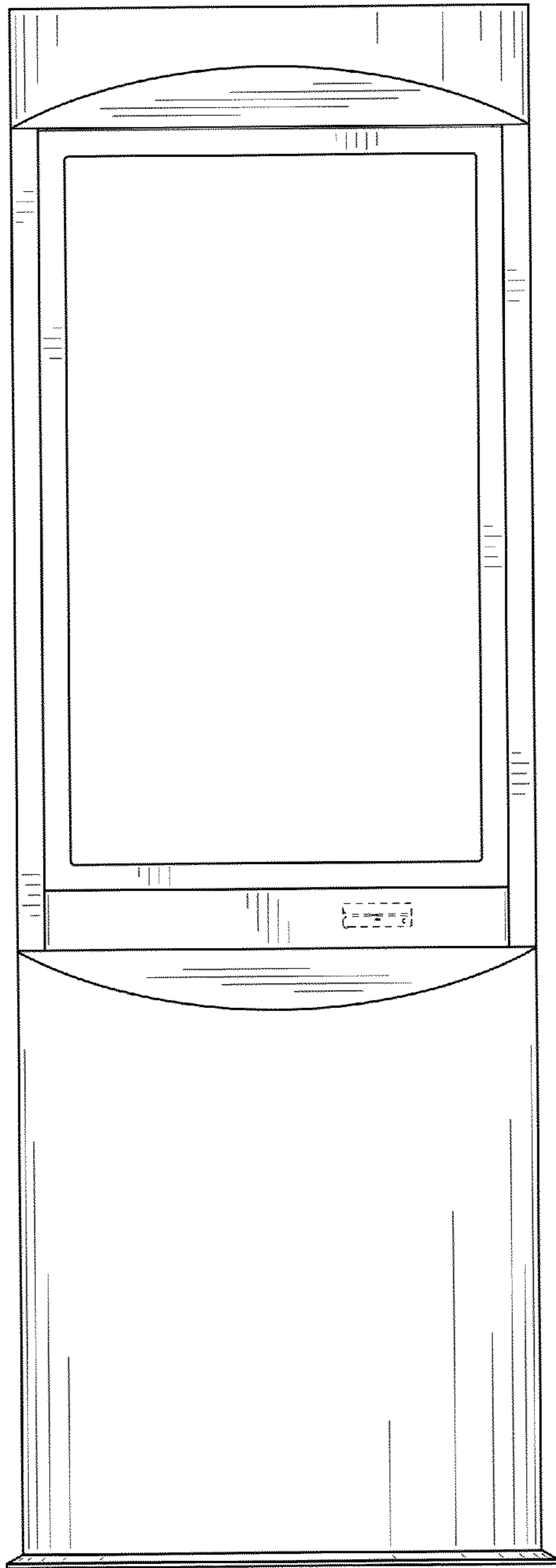


FIG. 2

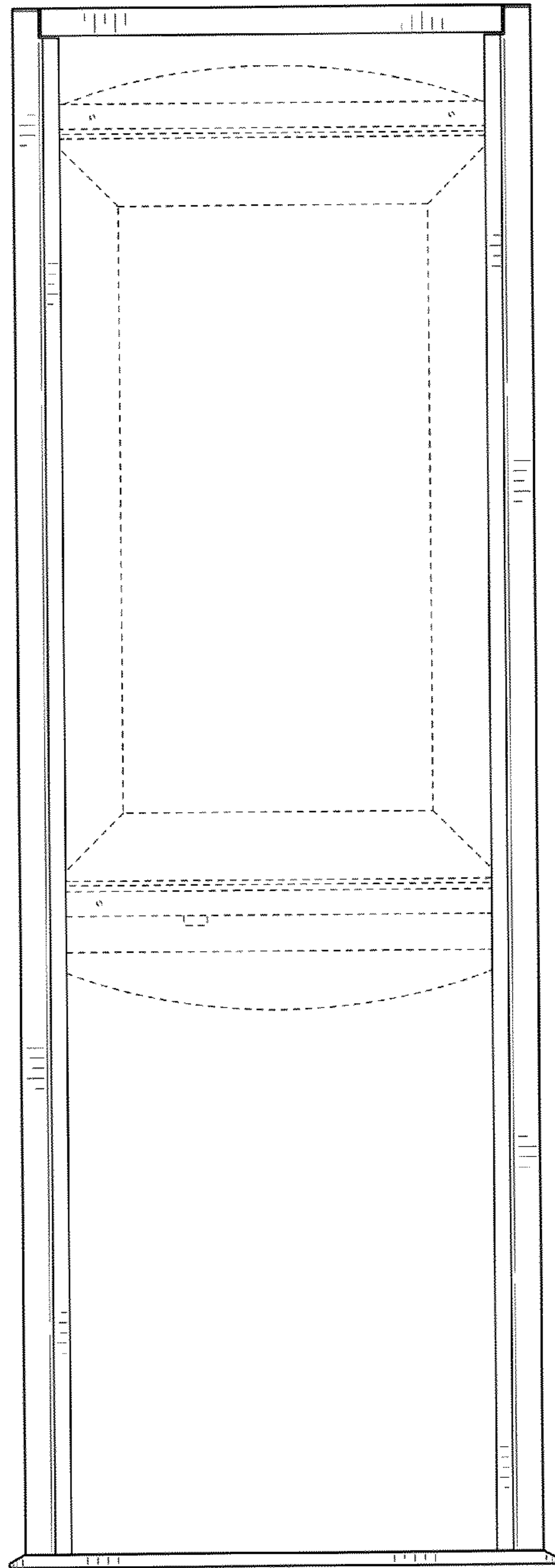


FIG. 3

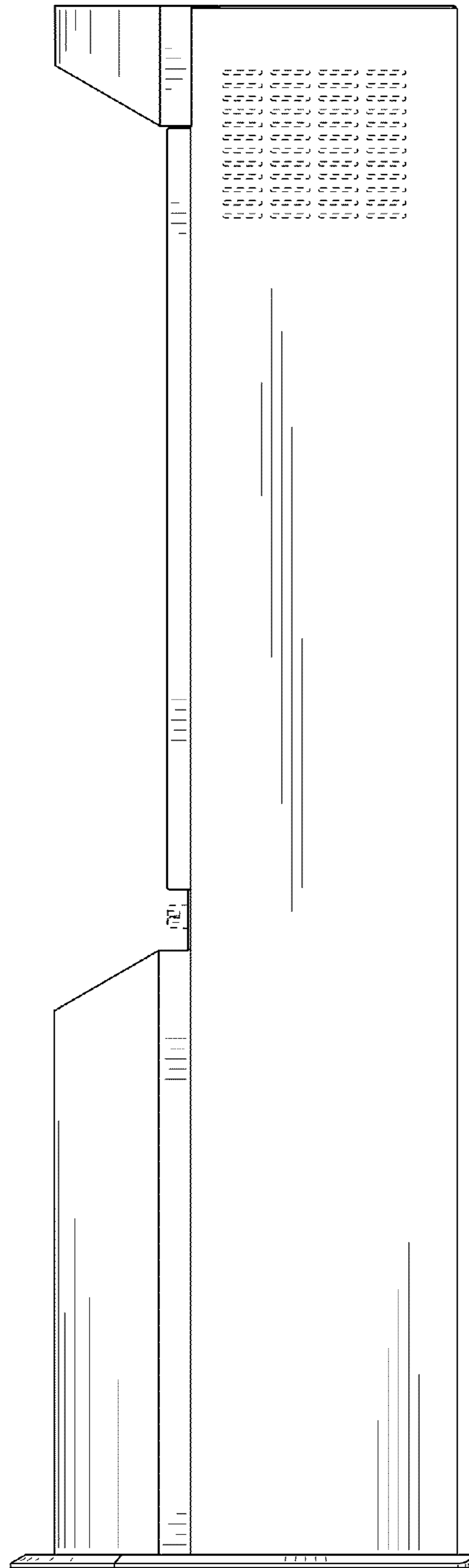


FIG. 4

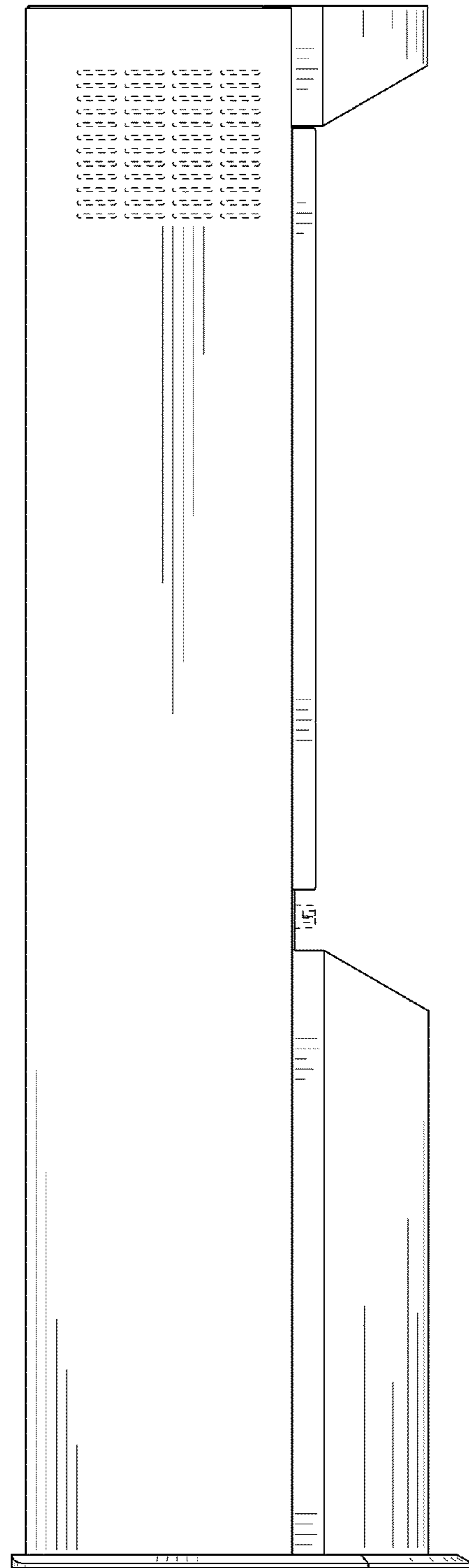


FIG. 5

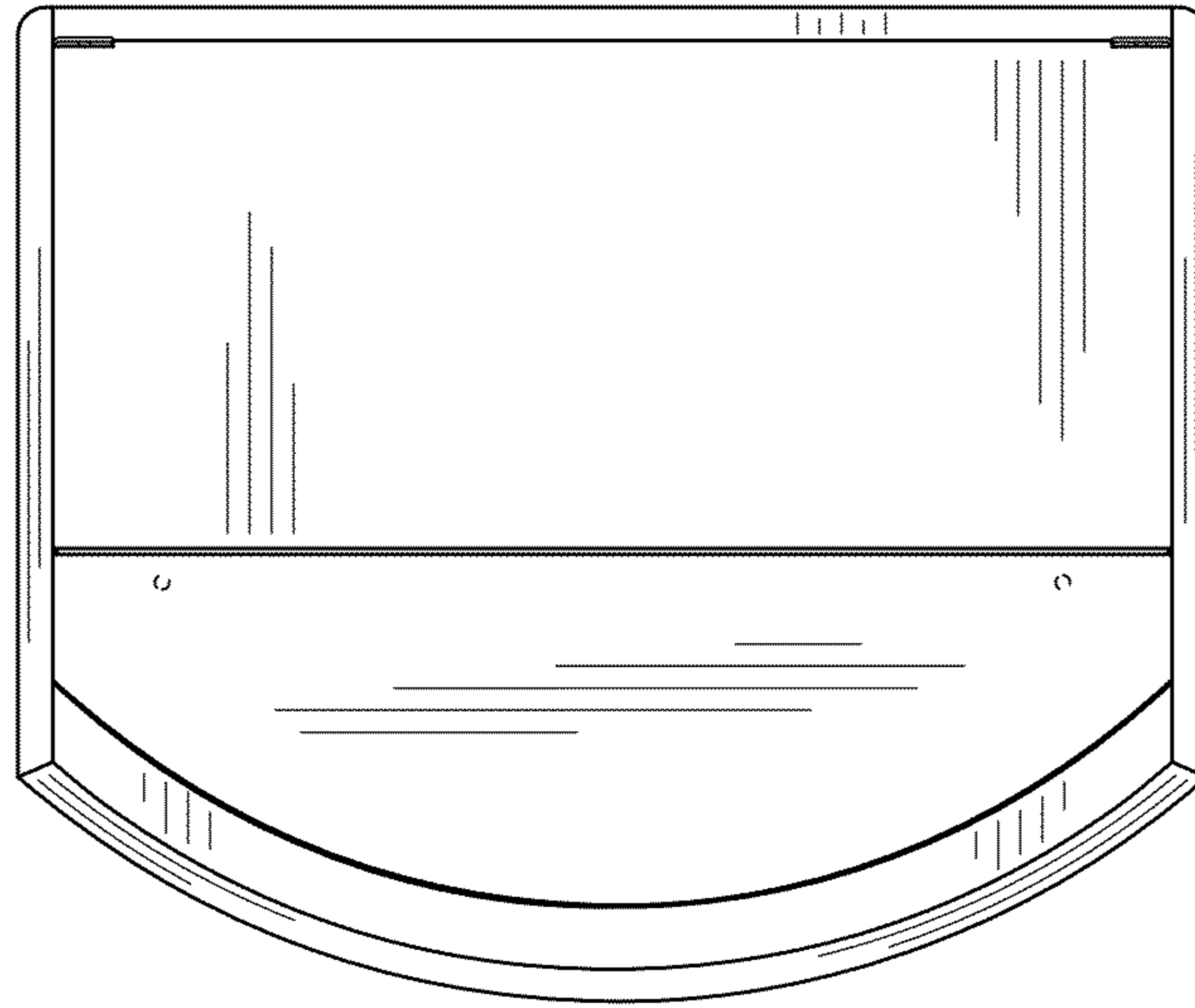


FIG. 6

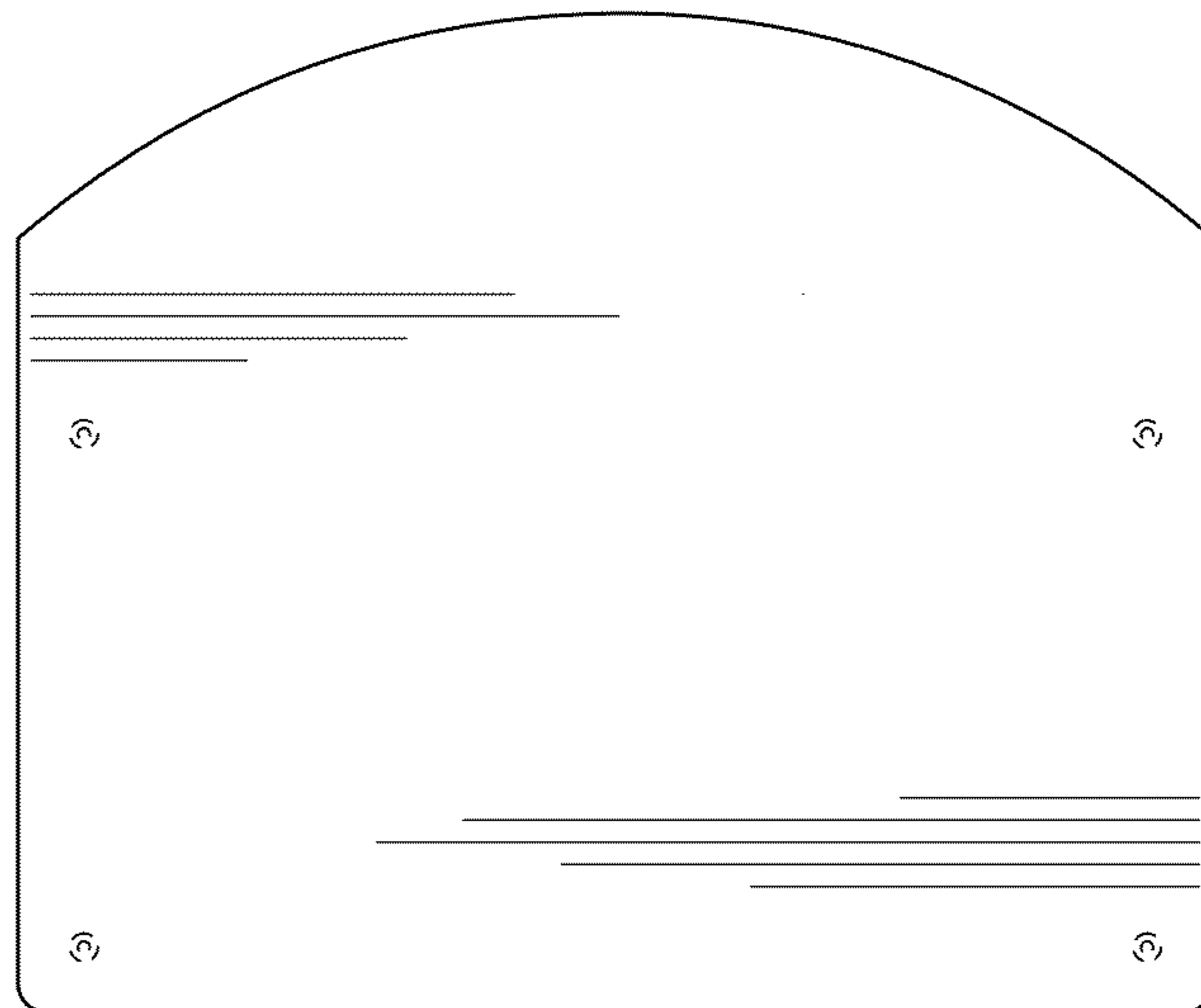


FIG. 7