



US00D696657S

(12) **United States Design Patent**
Cohen

(10) **Patent No.:** **US D696,657 S**

(45) **Date of Patent:** **** Dec. 31, 2013**

(54) **PHONE HOLDER INSERT FOR A FOLDING
CHAIR ARMREST**

(75) Inventor: **Warren Cohen**, Philadelphia, PA (US)

(73) Assignee: **Rio Brands, LLC**, Philadelphia, PA
(US)

(**) Term: **14 Years**

(21) Appl. No.: **29/428,680**

(22) Filed: **Aug. 2, 2012**

(51) **LOC (9) Cl.** **14-03**

(52) **U.S. Cl.**
USPC **D14/251; D3/313**

(58) **Field of Classification Search**
USPC D14/140, 140.8, 142, 168, 204, 209.1,
D14/217, 221, 243-256, 434, 447, 452;
D3/215, 218, 269, 304; D2/861;
D6/300, 310, 467, 553-574; 292/342,
292/343; D19/90; D12/411, 415; D13/108;
379/446, 455; D8/363; D9/455;
211/119.012

See application file for complete search history.

(56) **References Cited**

U.S. PATENT DOCUMENTS

D409,426 S *	5/1999	Hampshire	D6/567
D548,282 S *	8/2007	Chen et al.	D19/90
D596,172 S *	7/2009	Ahlqvist	D14/251
D604,769 S *	11/2009	Chen et al.	D19/90
D618,675 S *	6/2010	Thompson et al.	D14/251
D655,702 S *	3/2012	Saxton	D14/253

* cited by examiner

Primary Examiner — Susan Bennett Hattan

Assistant Examiner — Janice Hallmark

(74) *Attorney, Agent, or Firm* — LaMorte & Associates, P.C.

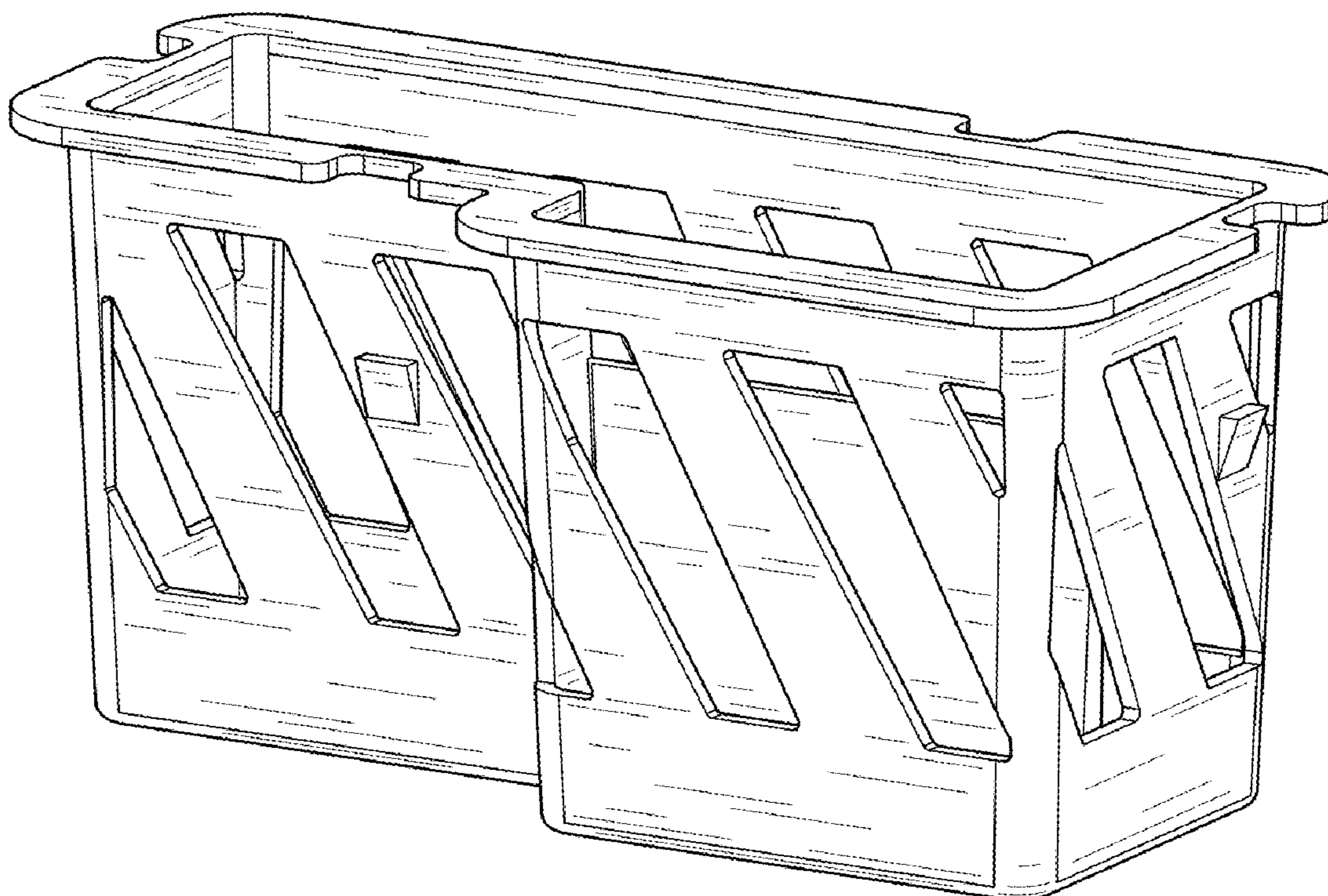
(57) **CLAIM**

The ornamental design for a phone holder insert for a folding chair armrest, as shown and described.

DESCRIPTION

FIG. 1 is a top perspective view of a phone holder insert for a folding chair armrest;
FIG. 2 is a bottom perspective view thereof;
FIG. 3 is a front view thereof;
FIG. 4 is a rear view thereof;
FIG. 5 is a right side view thereof;
FIG. 6 is a left side view thereof;
FIG. 7 is a top view thereof; and,
FIG. 8 is a bottom view thereof.

1 Claim, 5 Drawing Sheets



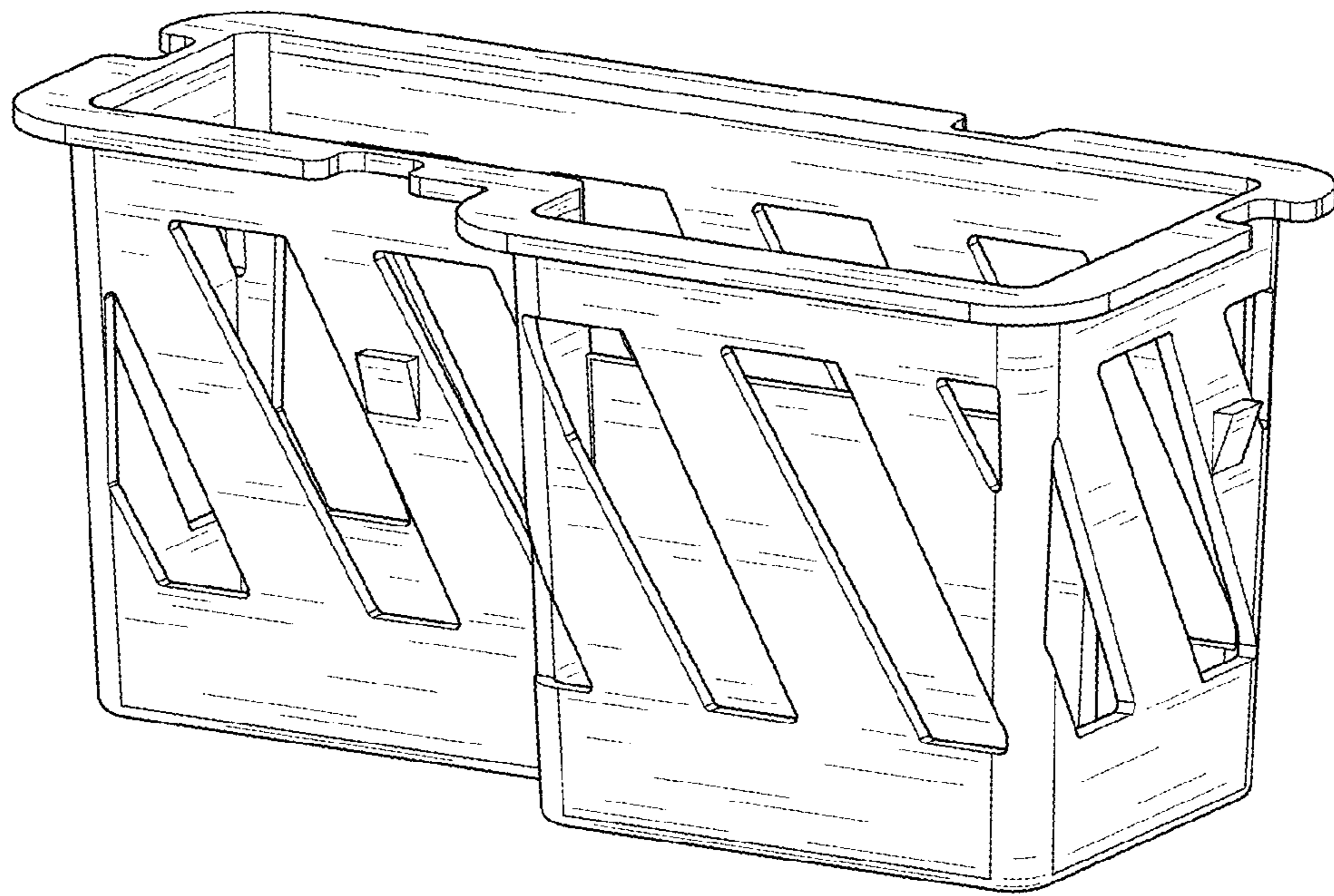


FIG. 1

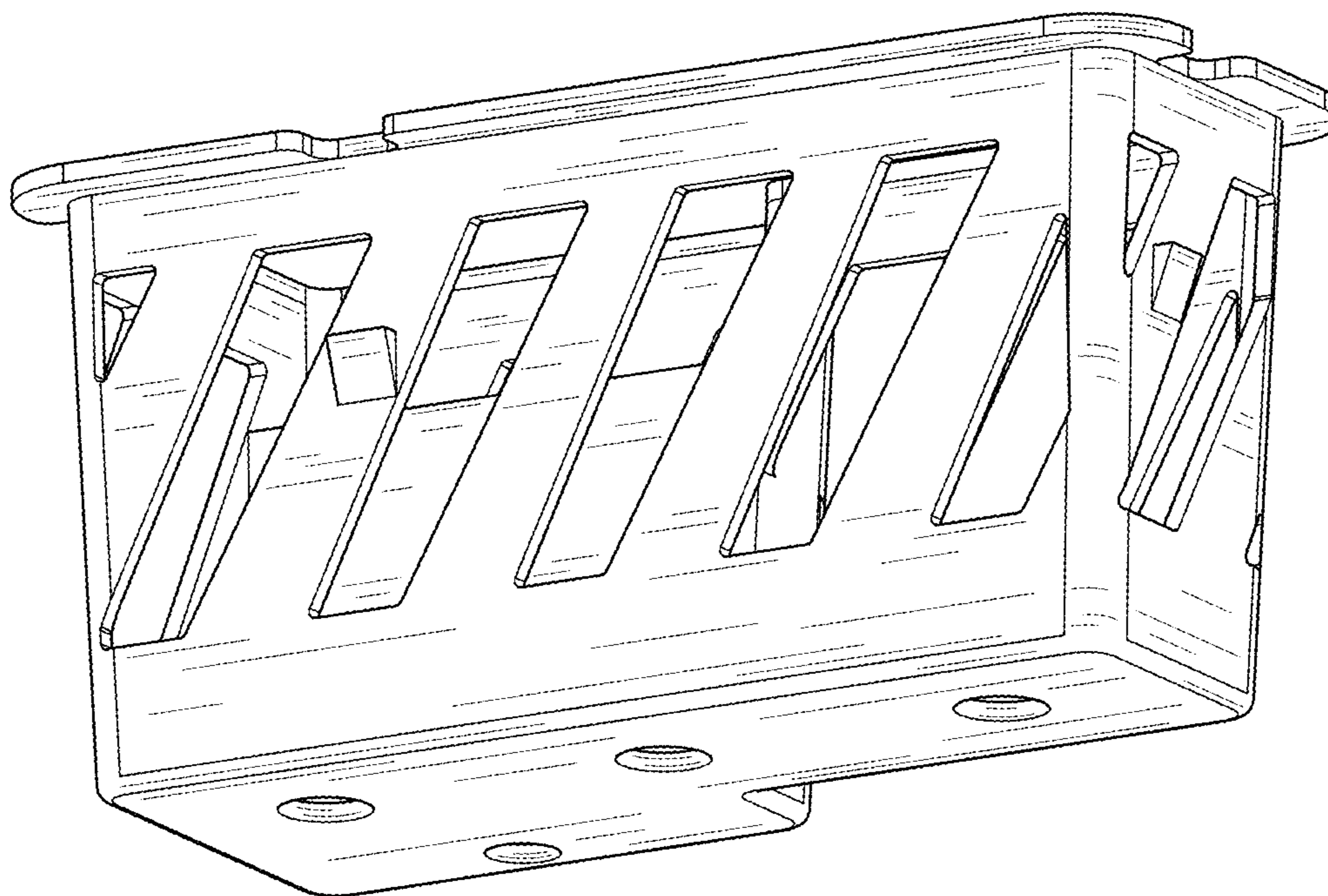


FIG. 2

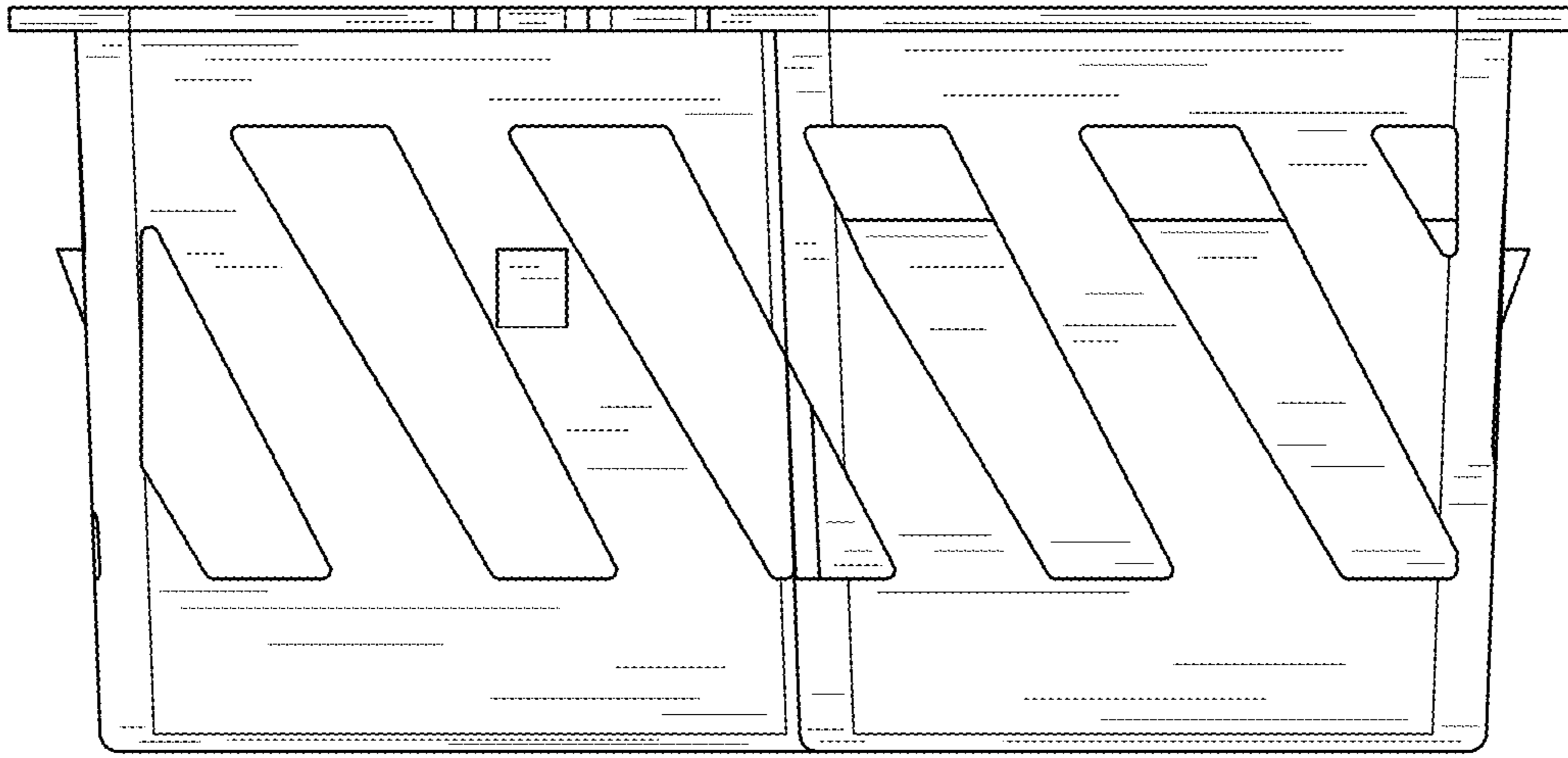


FIG. 3

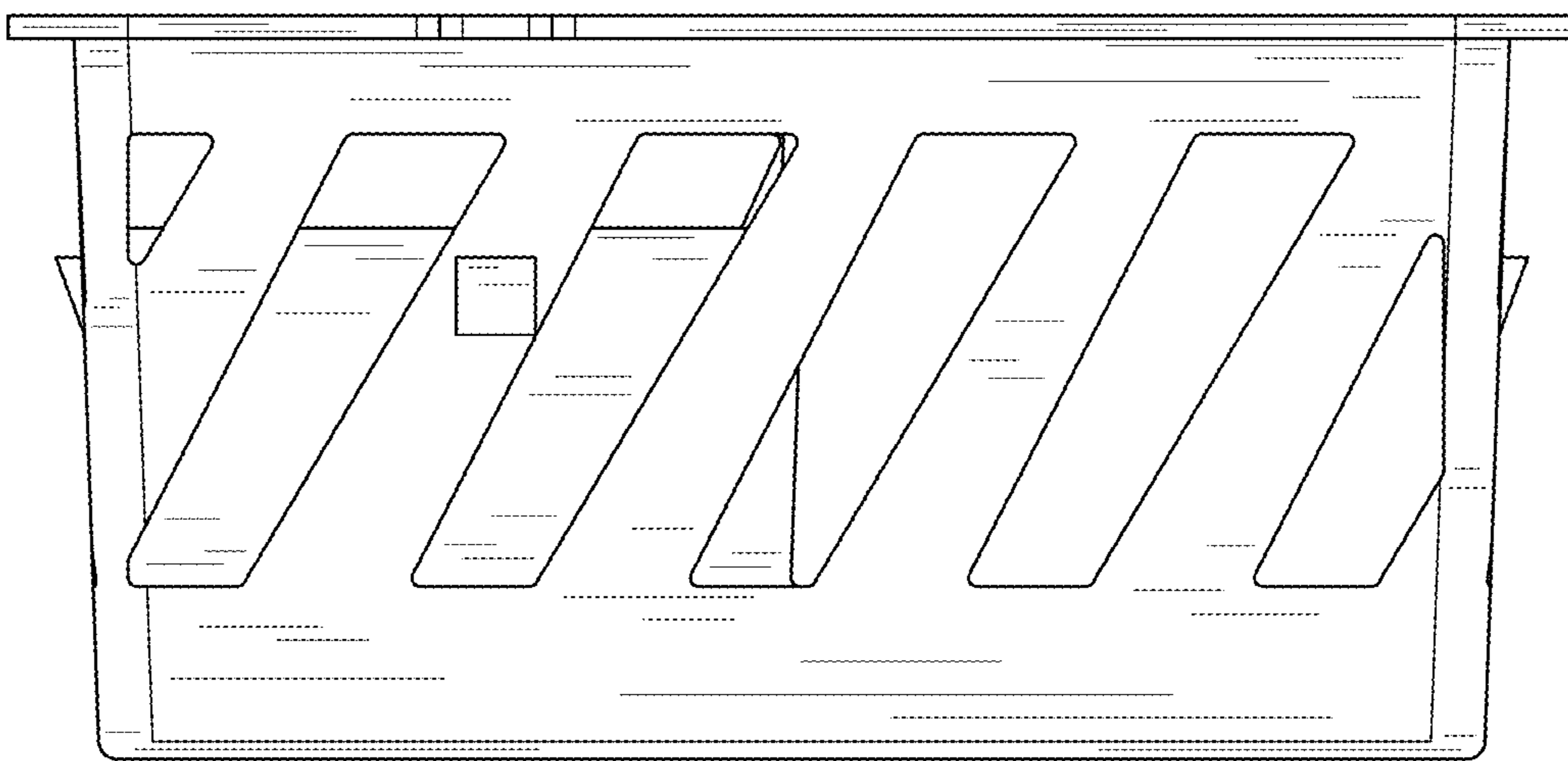


FIG. 4

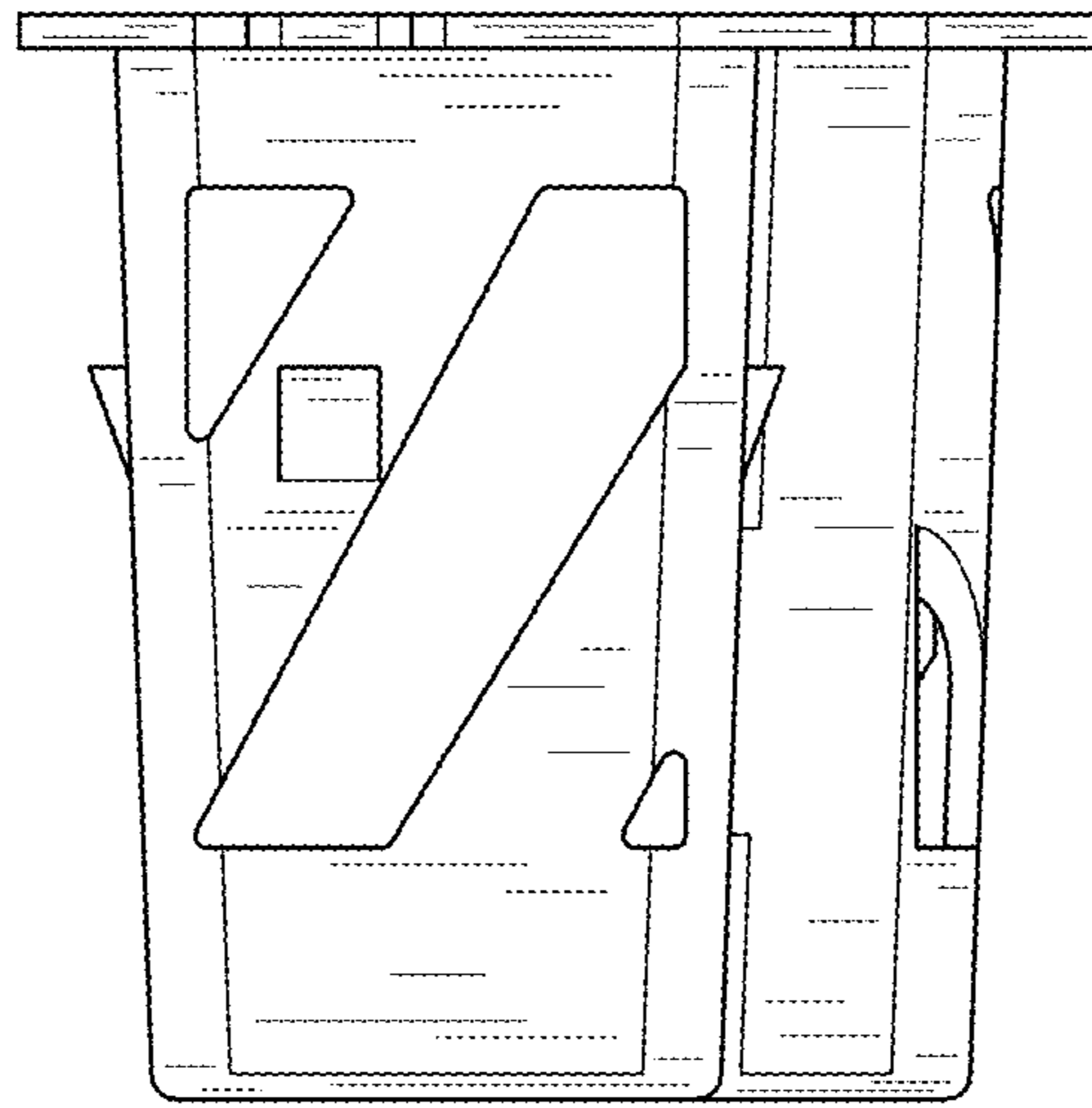


FIG. 5

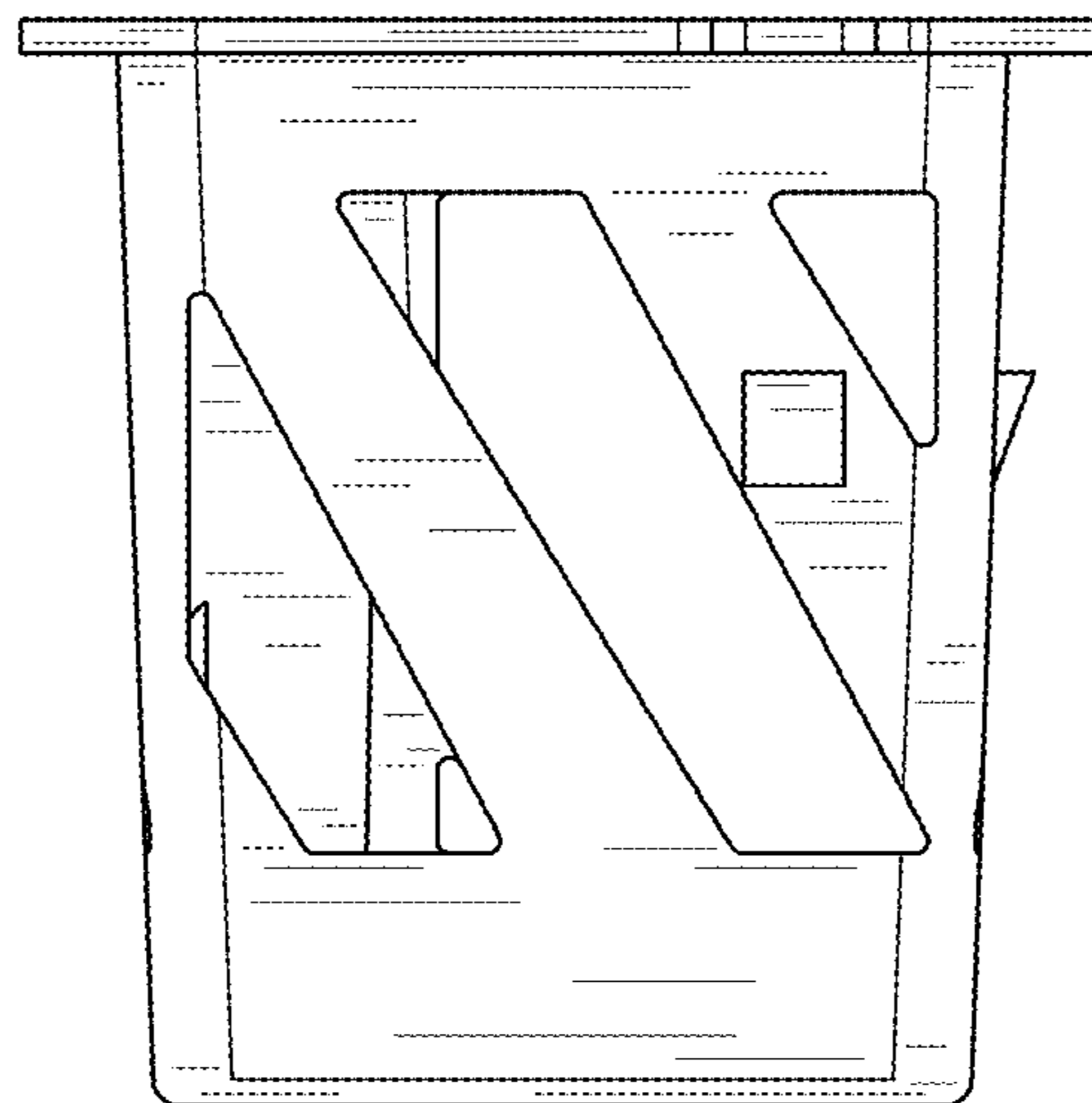


FIG. 6

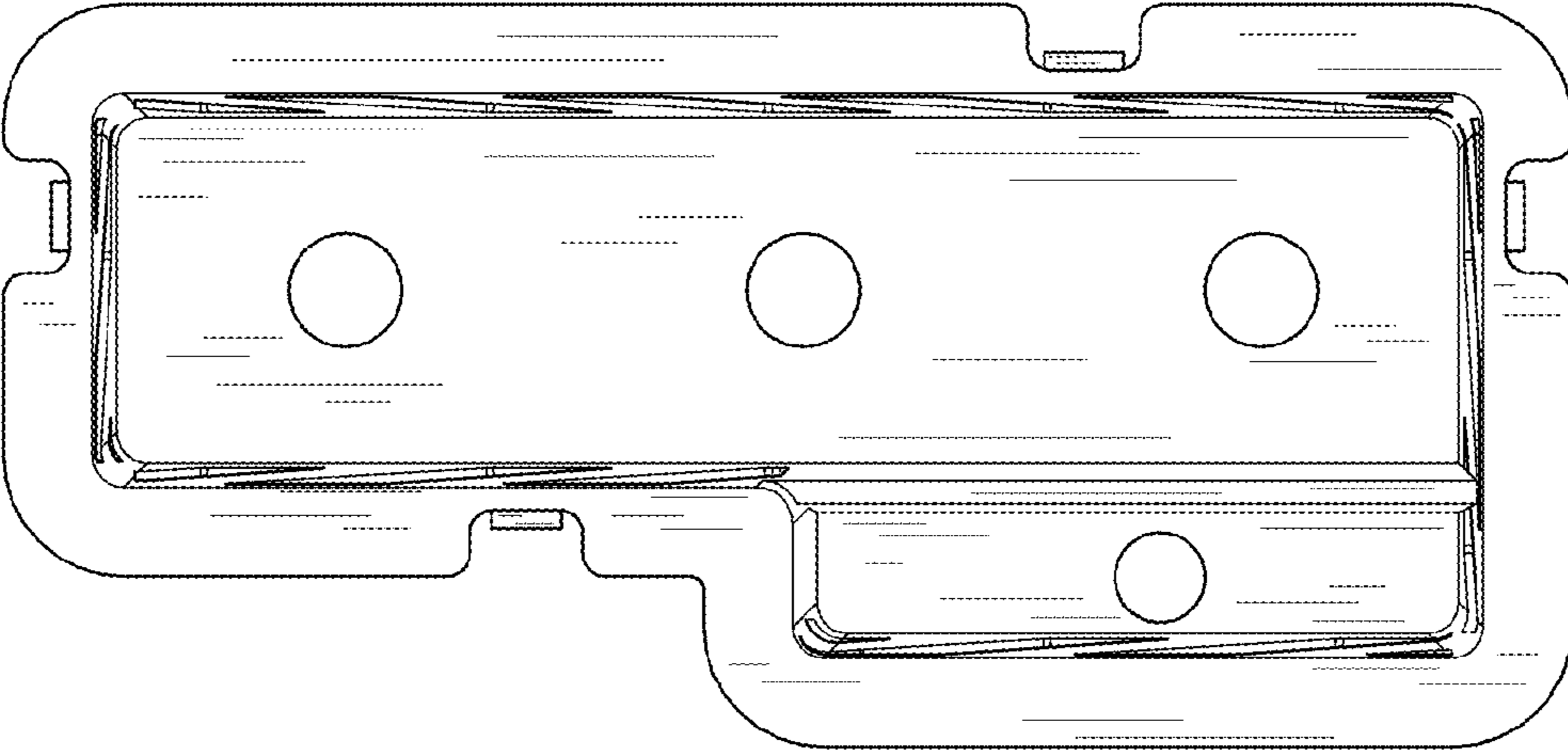


FIG. 7

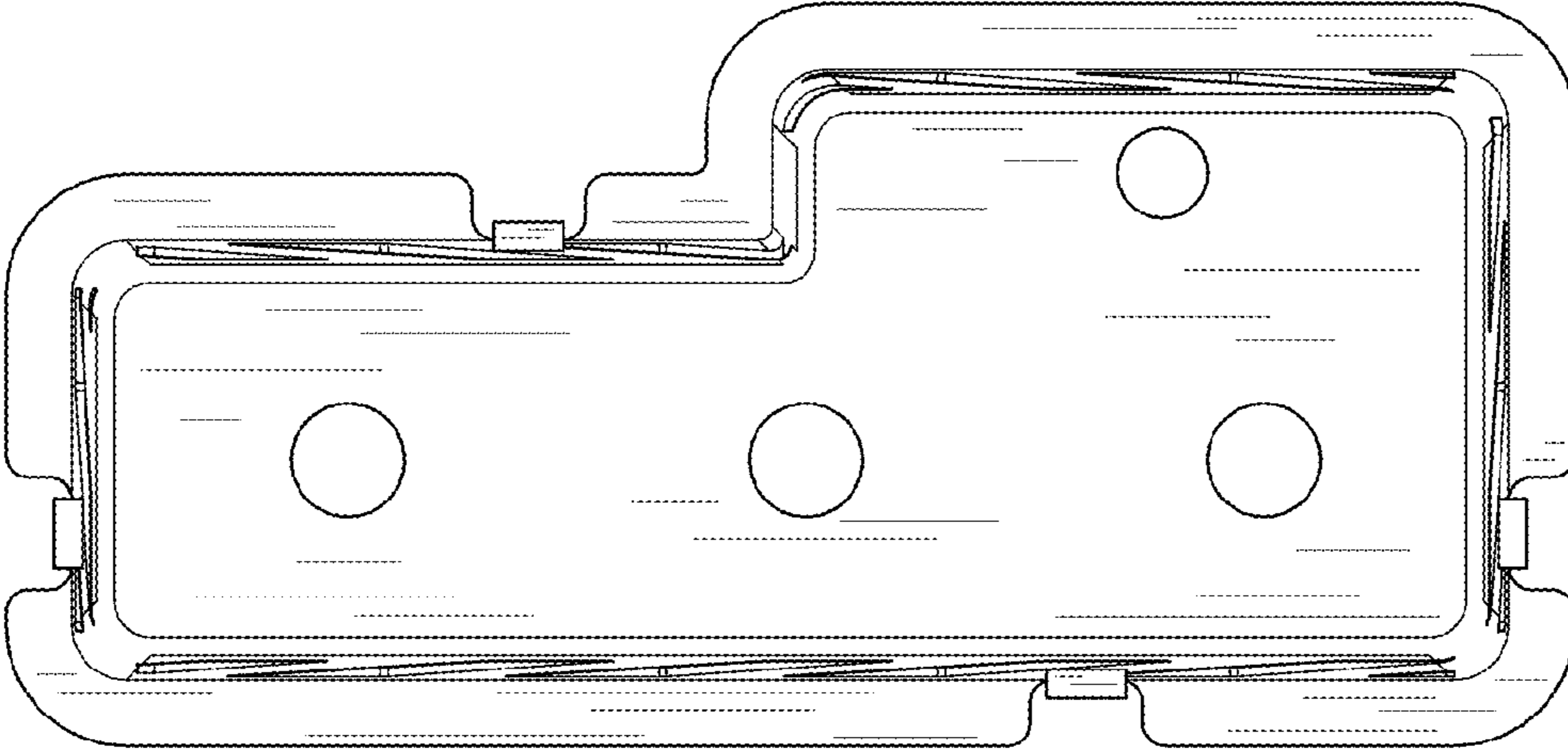


FIG. 8