



US00D696652S

(12) **United States Design Patent**
Ohashi et al.

(10) **Patent No.:** **US D696,652 S**

(45) **Date of Patent:** **** Dec. 31, 2013**

(54) **VIBRATION ACTUATOR**

(75) Inventors: **Kiyoshi Ohashi**, Tokyo (JP); **Shoichi Kaneda**, Tokyo (JP); **Yuichi Hashimoto**, Tokyo (JP); **Naoki Tsushima**, Tokyo (JP); **Shiming Yuan**, Beijing (CN)

(73) Assignees: **Namiki Seimitsu Houseki Kabushiki Kaisha**, Tokyo (JP); **U-Tech (Beijing) Technology Co., Ltd.**, Beijing (CN)

(**) Term: **14 Years**

(21) Appl. No.: **29/419,480**

(22) Filed: **Apr. 27, 2012**

(30) **Foreign Application Priority Data**

Oct. 27, 2011 (JP) D2011-024826

(51) **LOC (9) Cl.** **14-03**

(52) **U.S. Cl.**
USPC **D14/240**

(58) **Field of Classification Search**
USPC D14/240, 242, 357, 358, 140-140.9,
D14/155, 137, 147, 218, 341-347, 348, 349,
D14/351, 354; 375/222; 455/557; 725/111;
381/412
See application file for complete search history.

(56) **References Cited**

U.S. PATENT DOCUMENTS

D354,752 S * 1/1995 Johnson et al. D14/240
D442,171 S * 5/2001 Jang D14/242
6,301,117 B1 * 10/2001 Yamauchi et al. 361/728

D486,479 S * 2/2004 Chung D14/240
D490,402 S * 5/2004 Jung et al. D14/240
D491,563 S * 6/2004 Sato et al. D14/433
D502,173 S * 2/2005 Jung et al. D14/240
D530,708 S * 10/2006 Maruyama D14/240
D603,864 S * 11/2009 Borislow D14/435.1
D635,142 S * 3/2011 Borislow D14/435.1
D660,828 S * 5/2012 Petsch D14/240
D684,957 S * 6/2013 Smith et al. D14/242
2011/0051987 A1 * 3/2011 Ueda et al. 381/412

* cited by examiner

Primary Examiner — Bridget L Eland

(74) *Attorney, Agent, or Firm* — Studebaker & Brackett PC

(57) **CLAIM**

The ornamental design for vibration actuator, as shown and described.

DESCRIPTION

FIG. 1 is a front view of the vibration actuator;
FIG. 2 is a rear view of the vibration actuator;
FIG. 3 is a top view of the vibration actuator;
FIG. 4 is a bottom view of the vibration actuator;
FIG. 5 is a right side view of the vibration actuator;
FIG. 6 is a left side view of the vibration actuator; and,
FIG. 7 is a top frontal perspective view of the vibration actuator.

The broken lines immediately adjacent the claimed areas represent the bounds of the claimed design while all other broken lines are directed to environment and are for illustrative purposes only; the broken lines form no part of the claimed design.

1 Claim, 3 Drawing Sheets

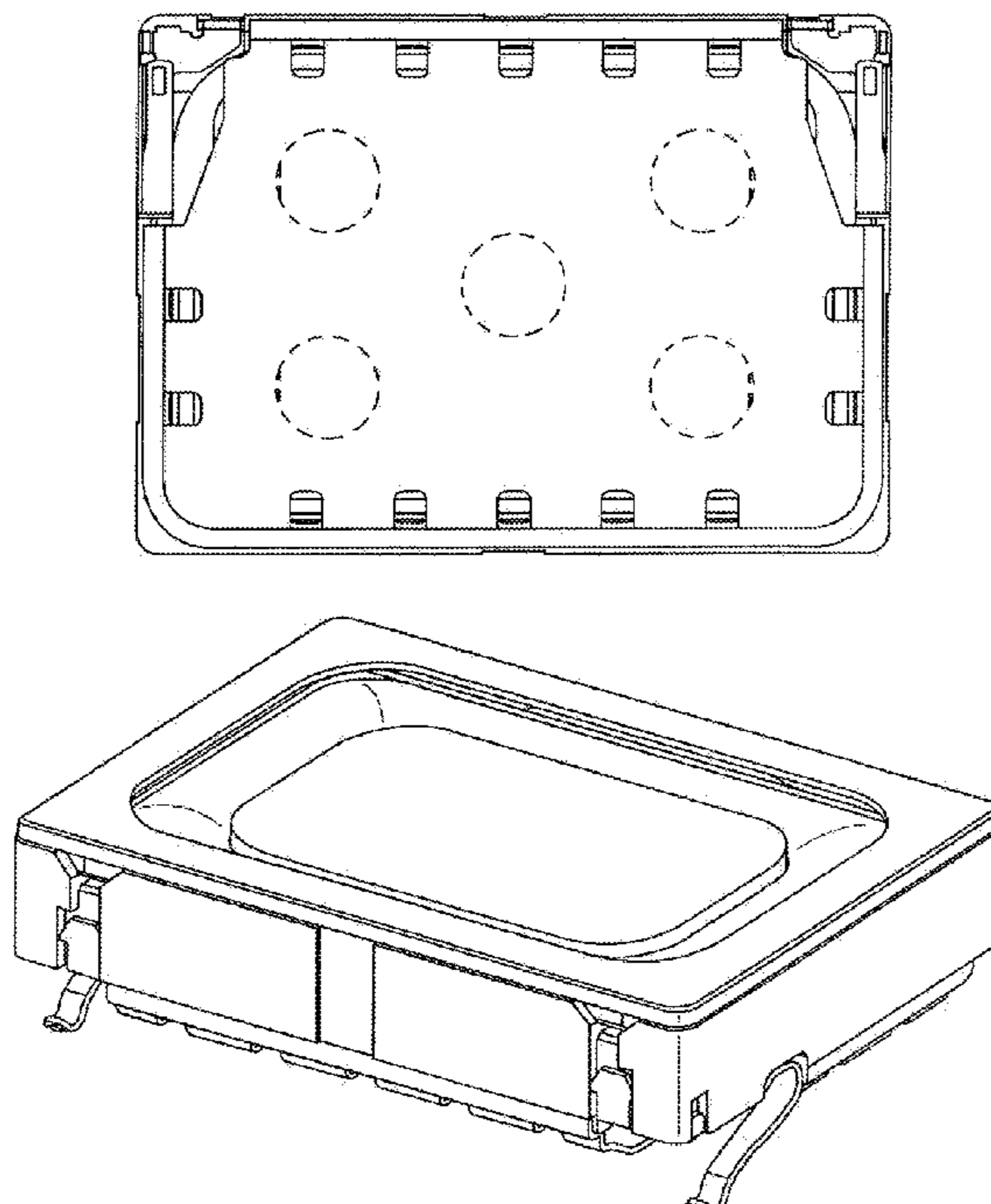


FIG. 1

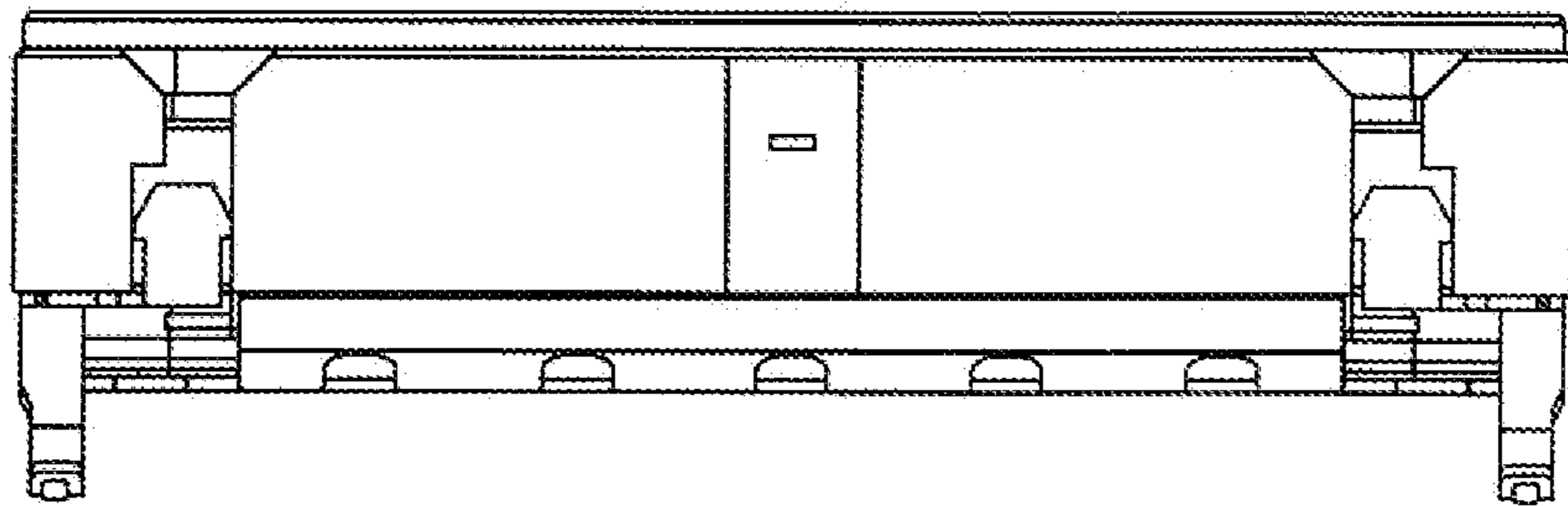


FIG. 2

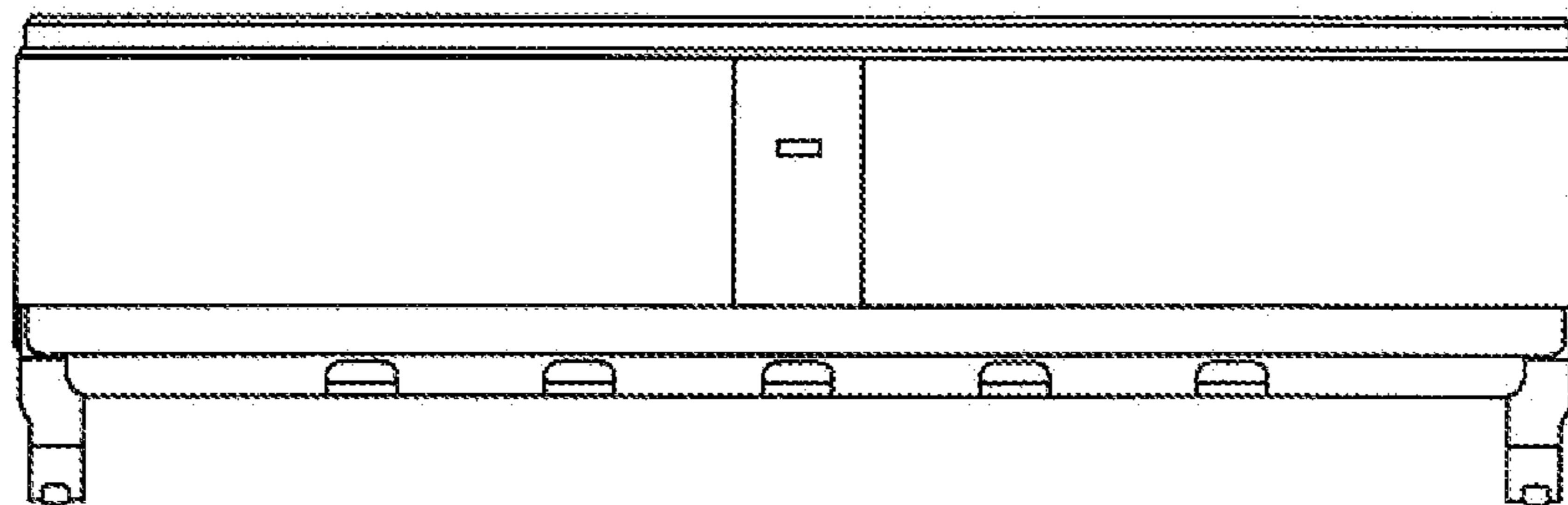


FIG. 3

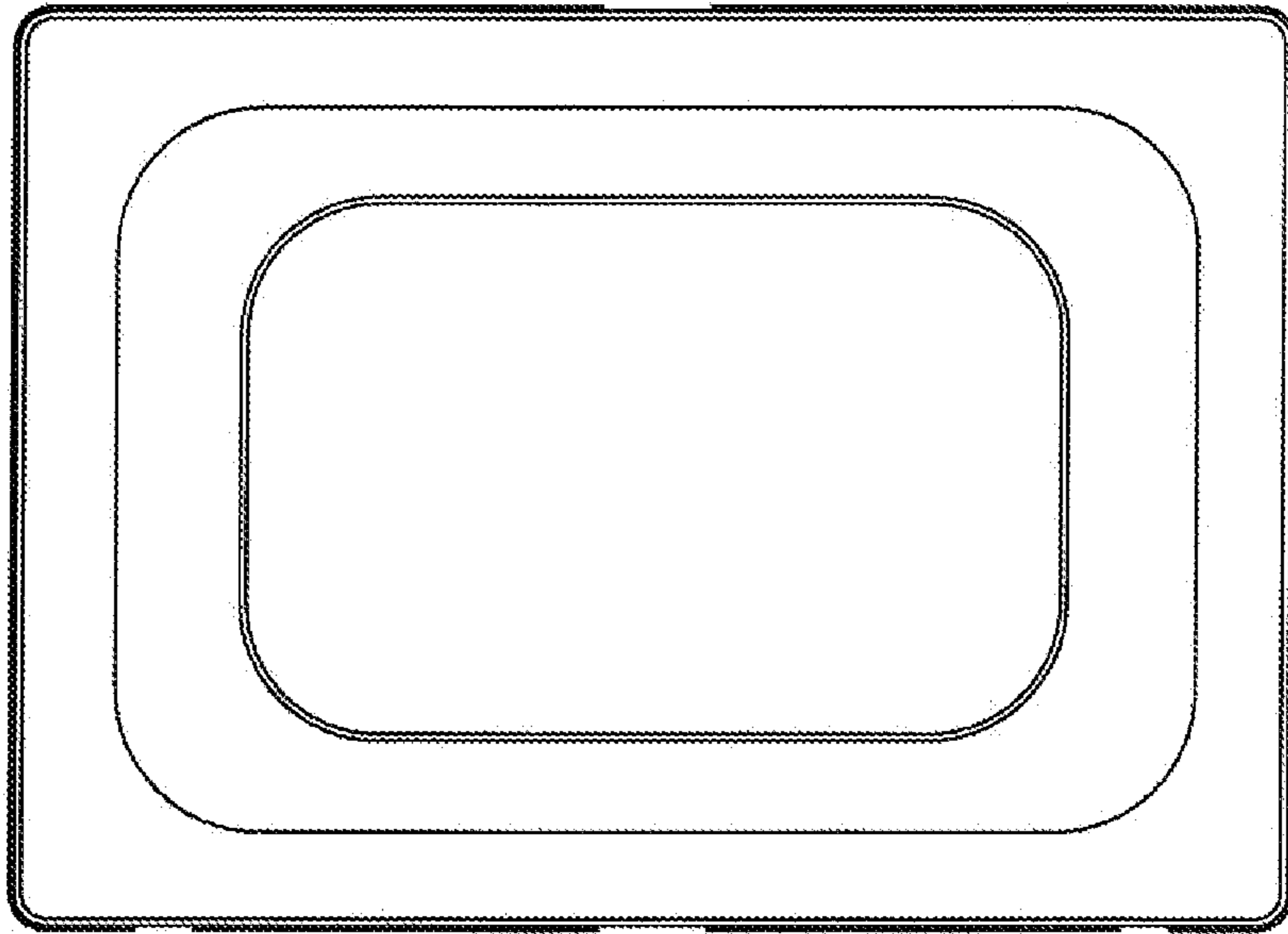


FIG. 4

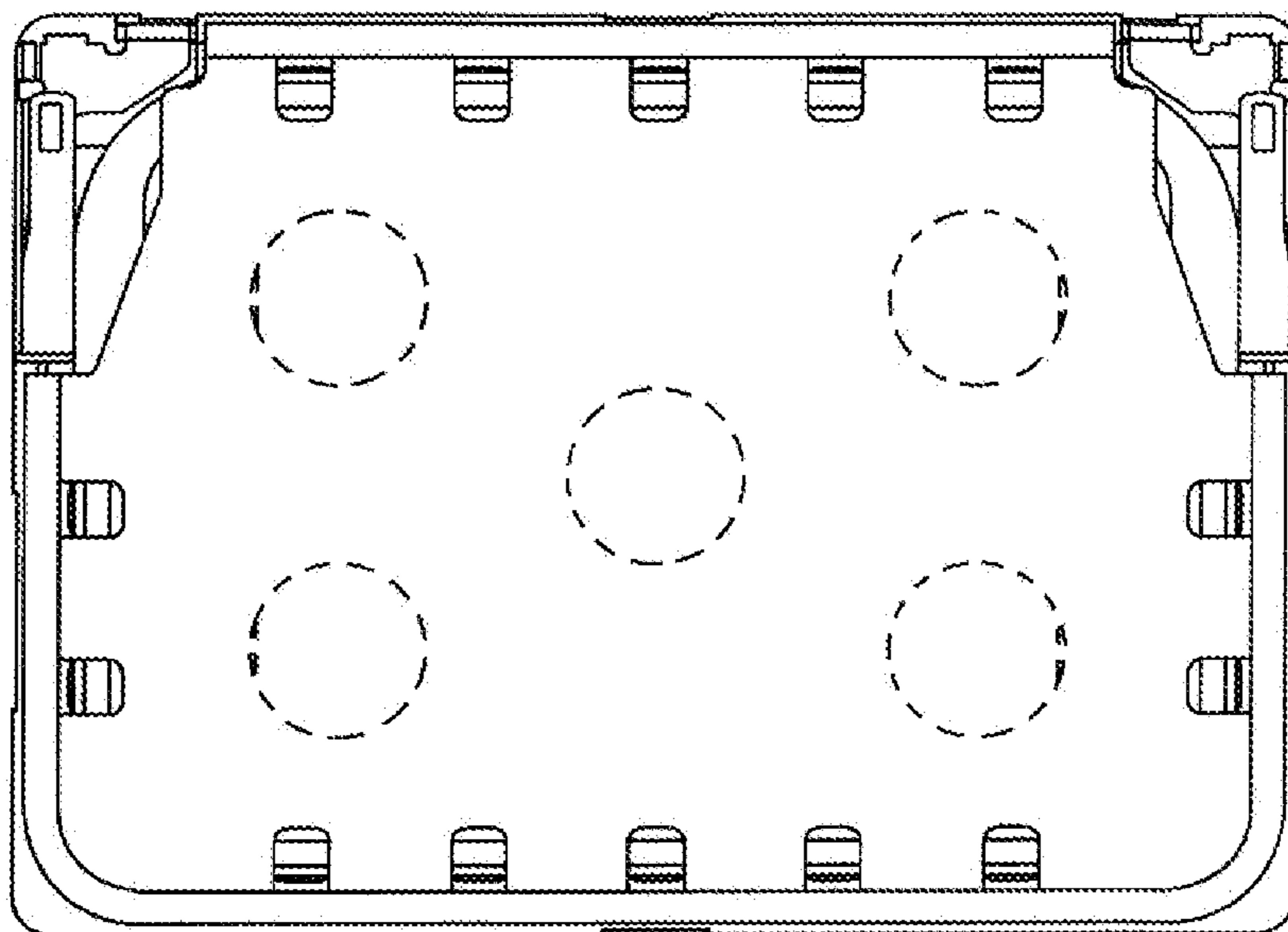


FIG. 5

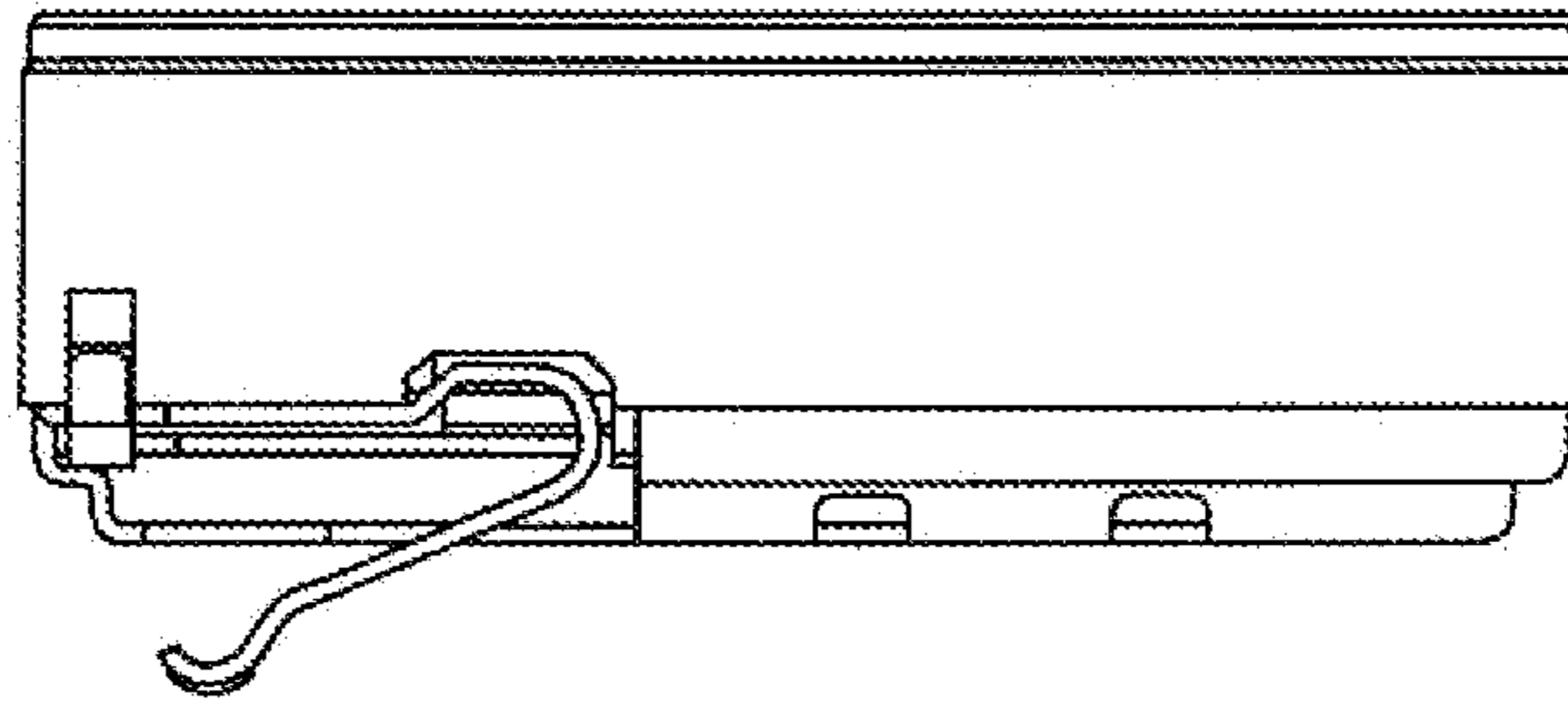


FIG. 6

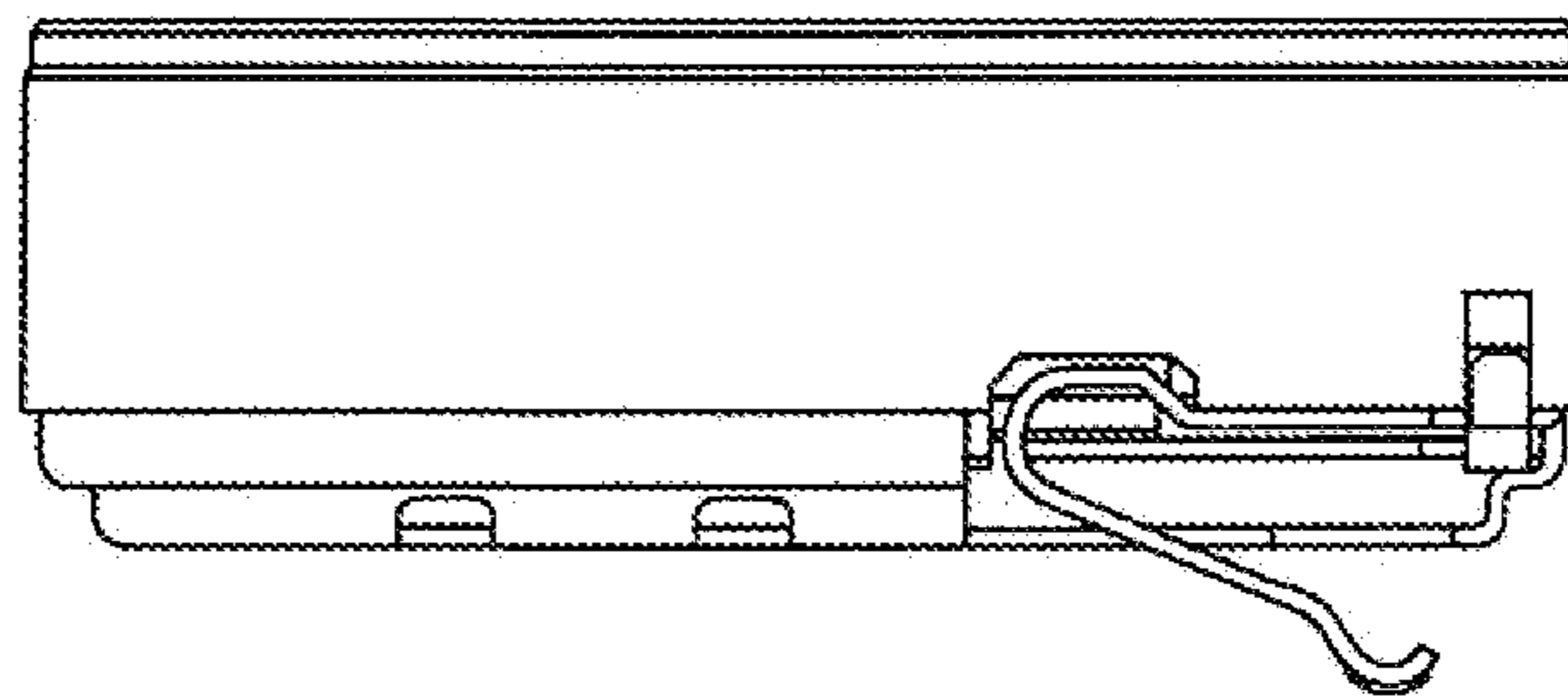


FIG. 7

