



US00D696649S

(12) **United States Design Patent**
Siemers et al.

(10) **Patent No.:** **US D696,649 S**
(45) **Date of Patent:** **** Dec. 31, 2013**

- (54) **SATELLITE ANTENNA**
- (75) Inventors: **Matthew Siemers**, Ottawa (CA); **Ewan Smith**, Ottawa (CA)
- (73) Assignee: **C-Com Satellite Systems Inc.**, Ottawa (CA)
- (**) Term: **14 Years**
- (21) Appl. No.: **29/387,567**
- (22) Filed: **Mar. 15, 2011**
- (51) **LOC (9) Cl.** **14-03**
- (52) **U.S. Cl.**
USPC **D14/231**
- (58) **Field of Classification Search**
USPC D14/230–238, 299; 343/700 R, 840,
343/841, 908, 872; 455/3.02, FOR. 215,
455/575.2
See application file for complete search history.

(56) **References Cited**

U.S. PATENT DOCUMENTS

D329,052	S	*	9/1992	Keane et al.	D14/231
5,554,998	A	*	9/1996	Sherwood et al.	343/881
D380,474	S	*	7/1997	Pietrangelo et al.	D14/231
5,646,638	A	*	7/1997	Winegard et al.	343/882
D389,155	S	*	1/1998	Inoue	D14/231
D411,999	S	*	7/1999	Inoue	D14/231

(Continued)

Primary Examiner — John Windmuller

(74) *Attorney, Agent, or Firm* — Heenan Blaikie LLP

(57) **CLAIM**

The ornamental design for a satellite antenna, as shown and described.

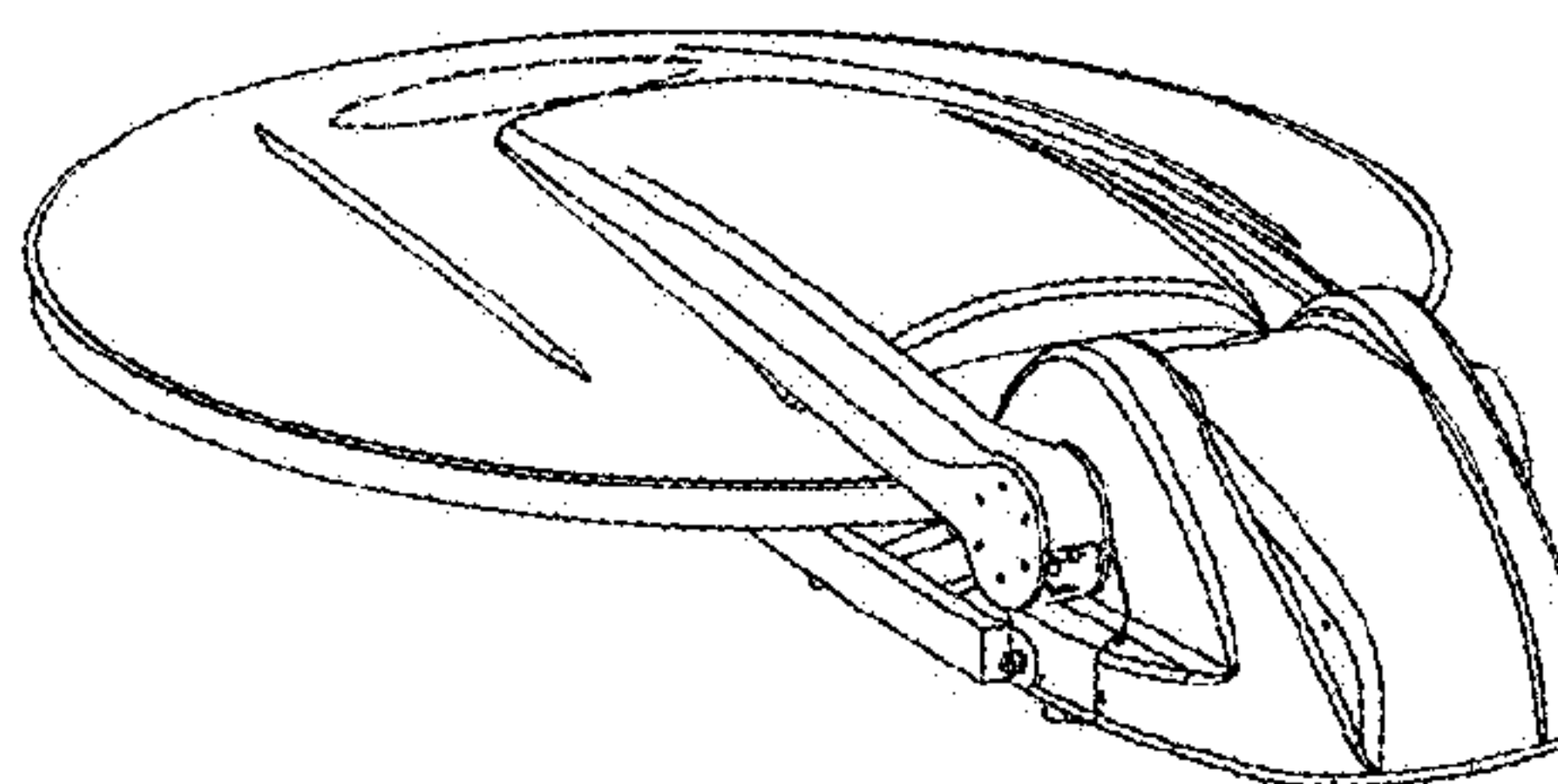
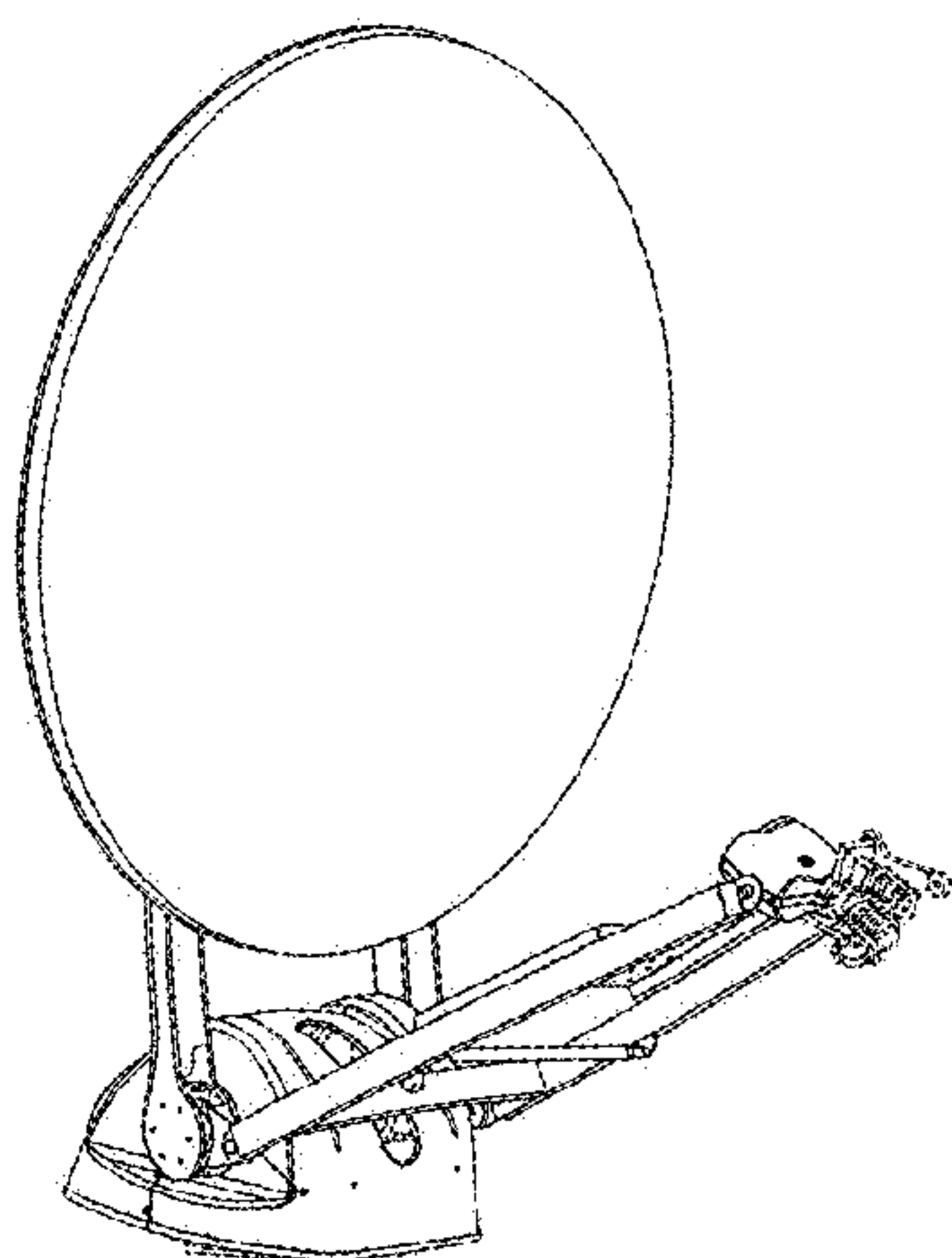
DESCRIPTION

FIG. 1 is a perspective view of the satellite antenna, depicted in a deployed configuration, and showing the azimuth assembly, and the reflector and the feed assembly extending from the azimuth assembly;

FIG. 2 is a perspective view of the satellite antenna, opposite to that shown in FIG. 1;
 FIG. 3 is a side view of the satellite antenna shown in FIG. 1;
 FIG. 4 is a side view of the satellite antenna, opposite to that shown in FIG. 3;
 FIG. 5 is a front elevation of the satellite antenna shown in FIG. 1;
 FIG. 6 is a rear elevation of the satellite antenna shown in FIG. 1;
 FIG. 7 is a top plan view of the satellite antenna shown in FIG. 1;
 FIG. 8 is a bottom plan view of the satellite antenna shown in FIG. 1;
 FIG. 9 is a perspective view of the satellite antenna, depicted in a stowed configuration;
 FIG. 10 is a perspective view of the satellite antenna, opposite to that shown in FIG. 9;
 FIG. 11 is a side view of the satellite antenna shown in FIG. 9;
 FIG. 12 is a side view of the satellite antenna, opposite to that shown in FIG. 11;
 FIG. 13 is a front elevation of the satellite antenna shown in FIG. 9;
 FIG. 14 is a rear elevation of the satellite antenna shown in FIG. 9;
 FIG. 15 is a top plan view of the satellite antenna shown in FIG. 9; and,
 FIG. 16 is a bottom plan view of the satellite antenna shown in FIG. 9.

The radio mounting holes provided in the feed assembly are depicted as small dots to indicate that they do not form part of the design. The mounting holes provided in the support arms of the reflector are depicted as small dots to indicate that they do not form part of the design. The perimeter of the recessed surface provided in the reflector is depicted using a broken line to indicate that the recessed surface does not form part of the design. Other features are also depicted using broken lines to indicate that they do not form part of the design.

1 Claim, 16 Drawing Sheets



(56)

References Cited

U.S. PATENT DOCUMENTS

6,124,836	A *	9/2000	Rogers	343/882	D598,904	S *	8/2009	Ho	D14/231
6,166,704	A *	12/2000	Jan et al.	343/840	7,626,560	B2 *	12/2009	Conrad	343/881
D443,264	S *	6/2001	Fujita	D14/238	7,791,553	B2 *	9/2010	Conrad	343/761
D458,598	S *	6/2002	Sato	D14/231	D656,132	S *	3/2012	Barin	D14/231
6,445,361	B2 *	9/2002	Liu et al.	343/882	8,169,375	B1 *	5/2012	Conrad	343/713
D595,276	S *	6/2009	Bonnier	D14/231	2002/0140617	A1 *	10/2002	Luly et al.	343/781 CA
D597,085	S *	7/2009	Andersson	D14/231	2005/0057428	A1 *	3/2005	Fujita	343/882
					2007/0210980	A1 *	9/2007	Shen	343/912
					2007/0247390	A1 *	10/2007	Lin et al.	343/892
					2008/0186242	A1 *	8/2008	Shuster et al.	343/762

* cited by examiner

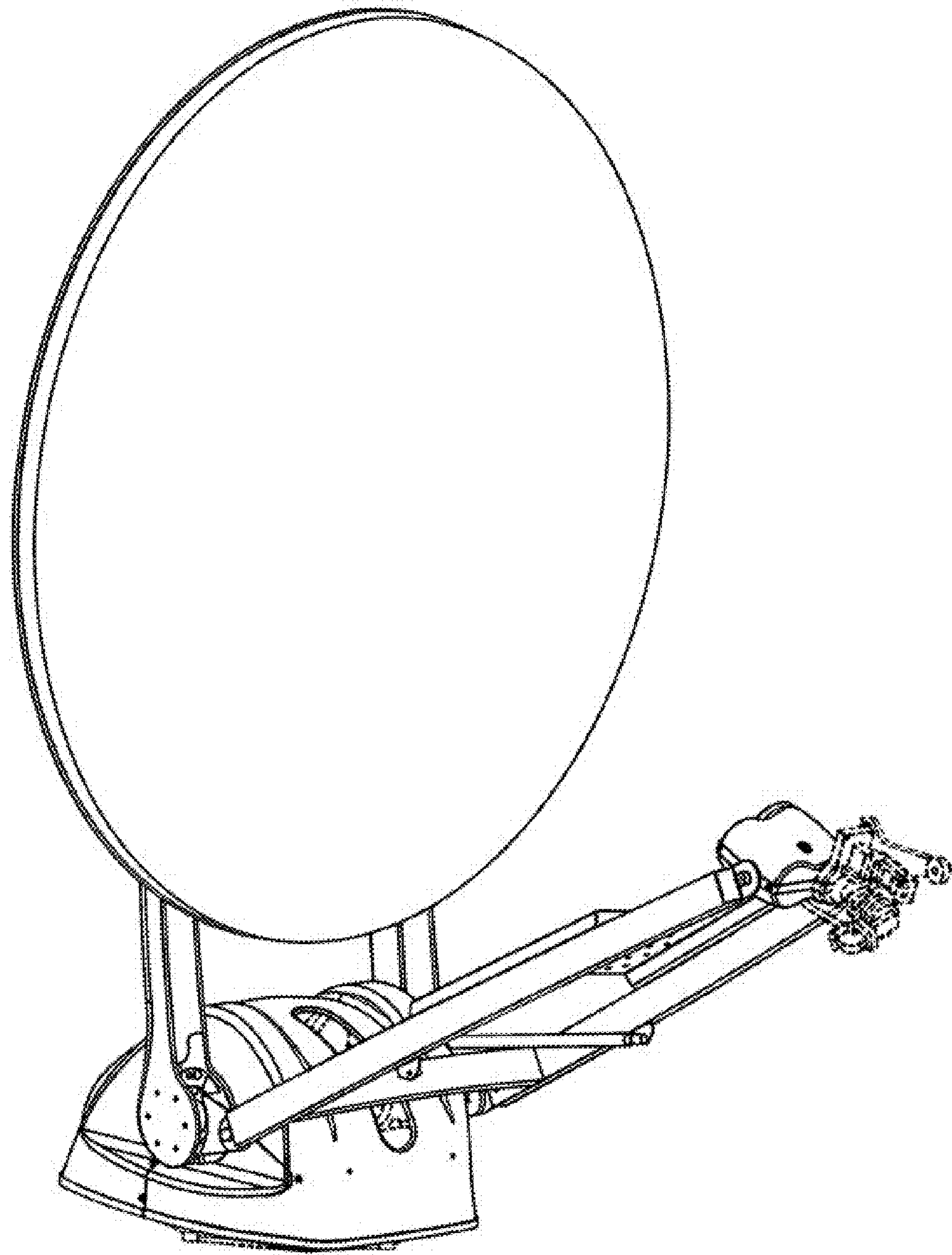


Fig. 1

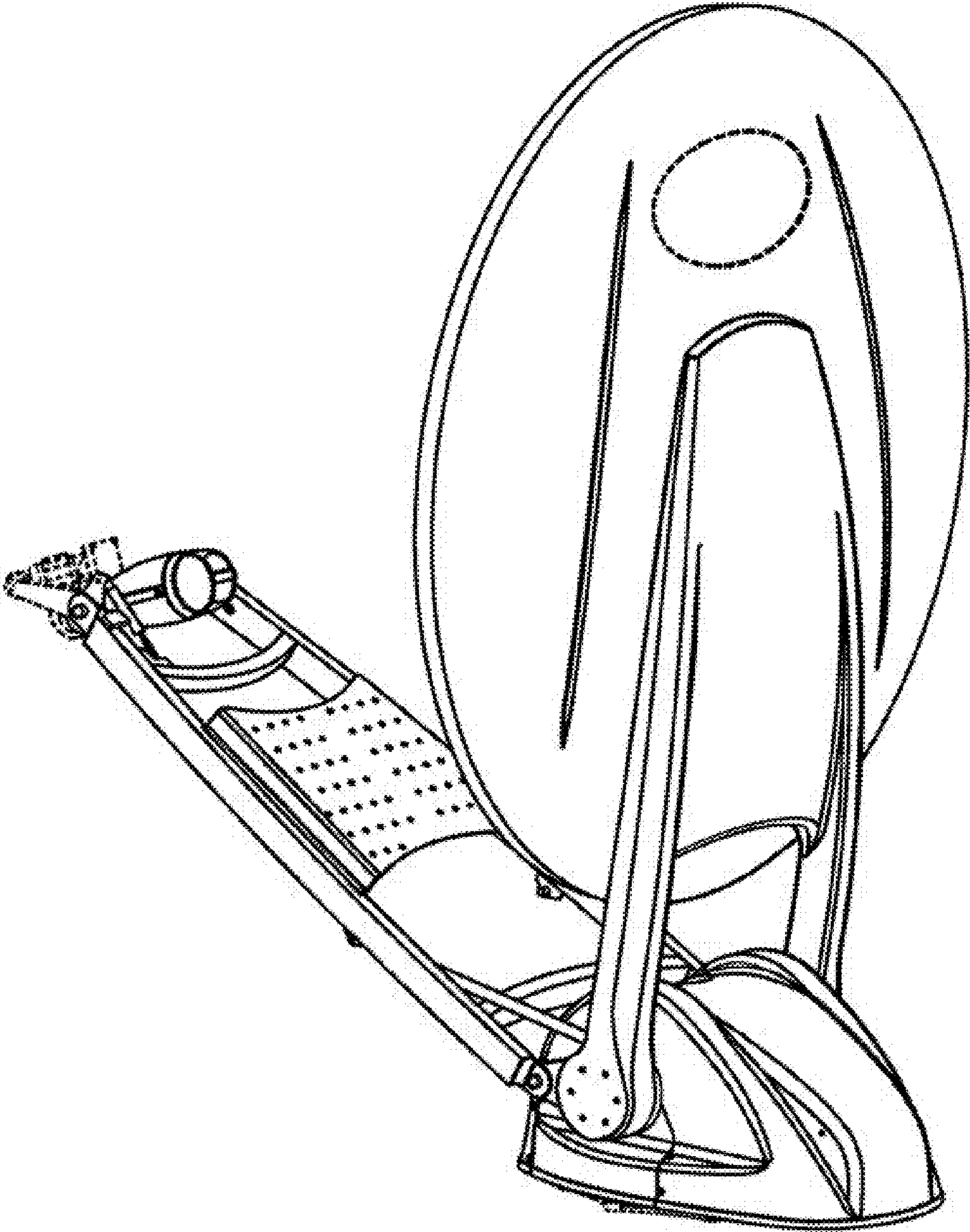


Fig. 2

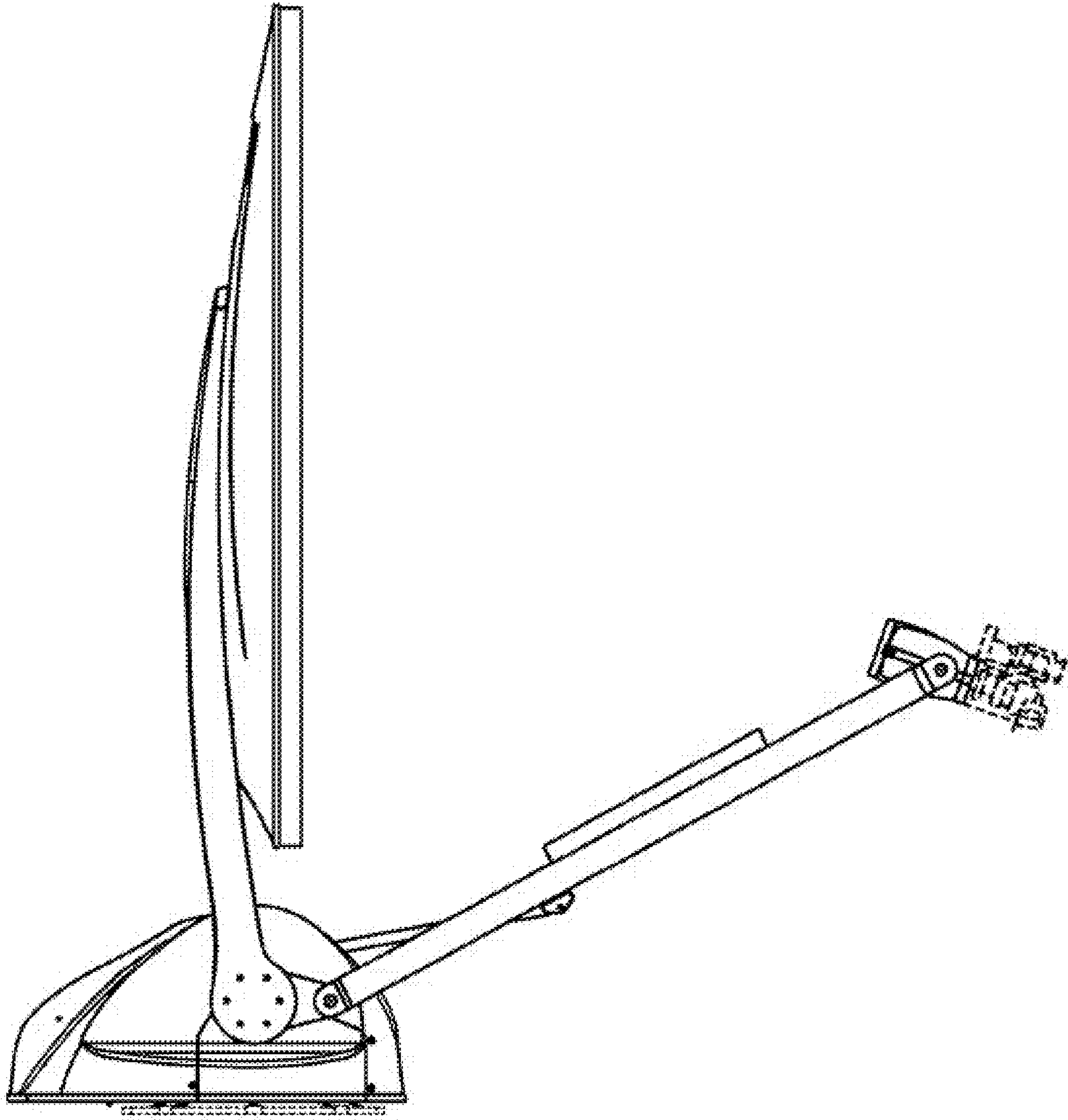


Fig. 3

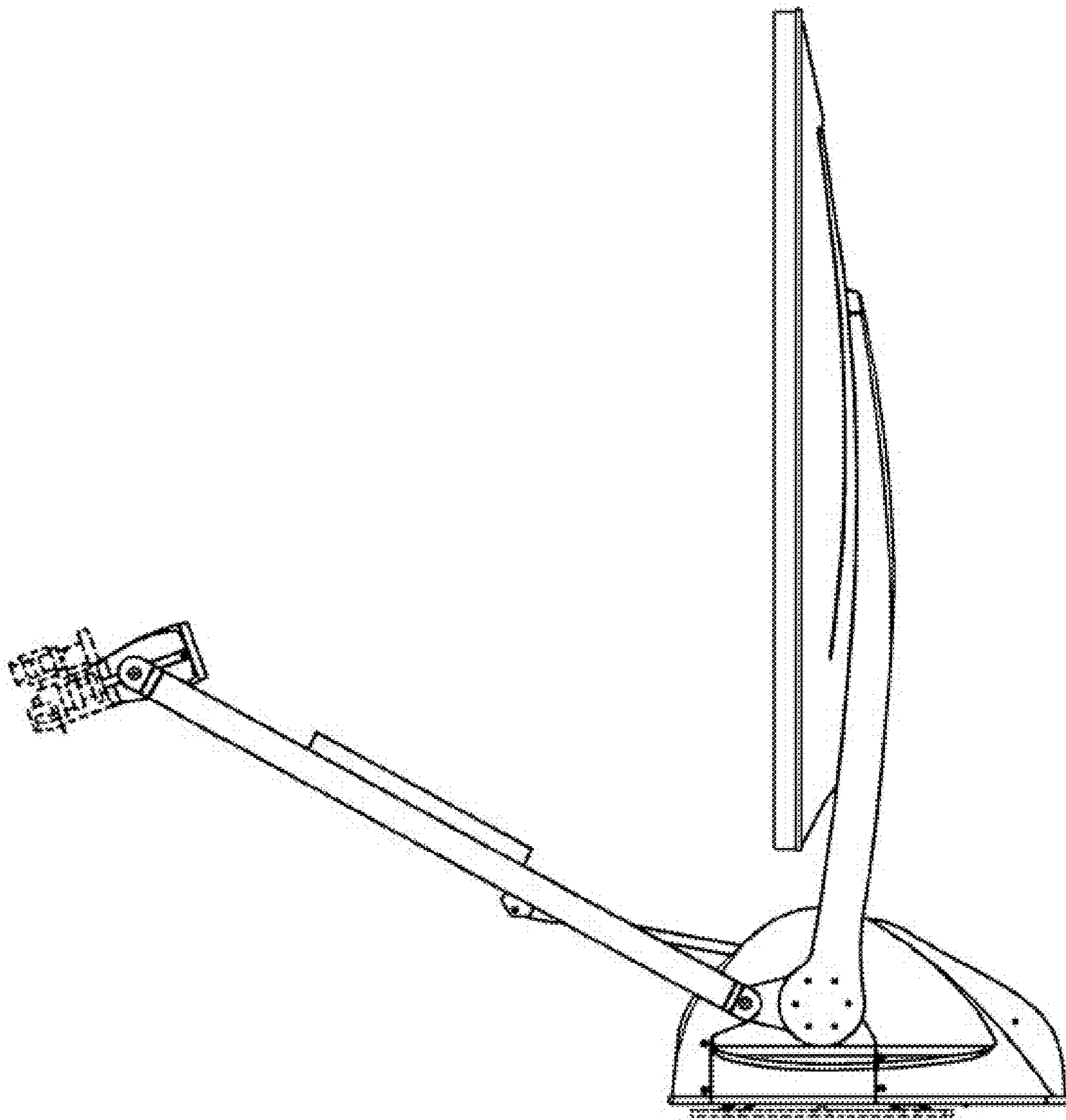


Fig. 4

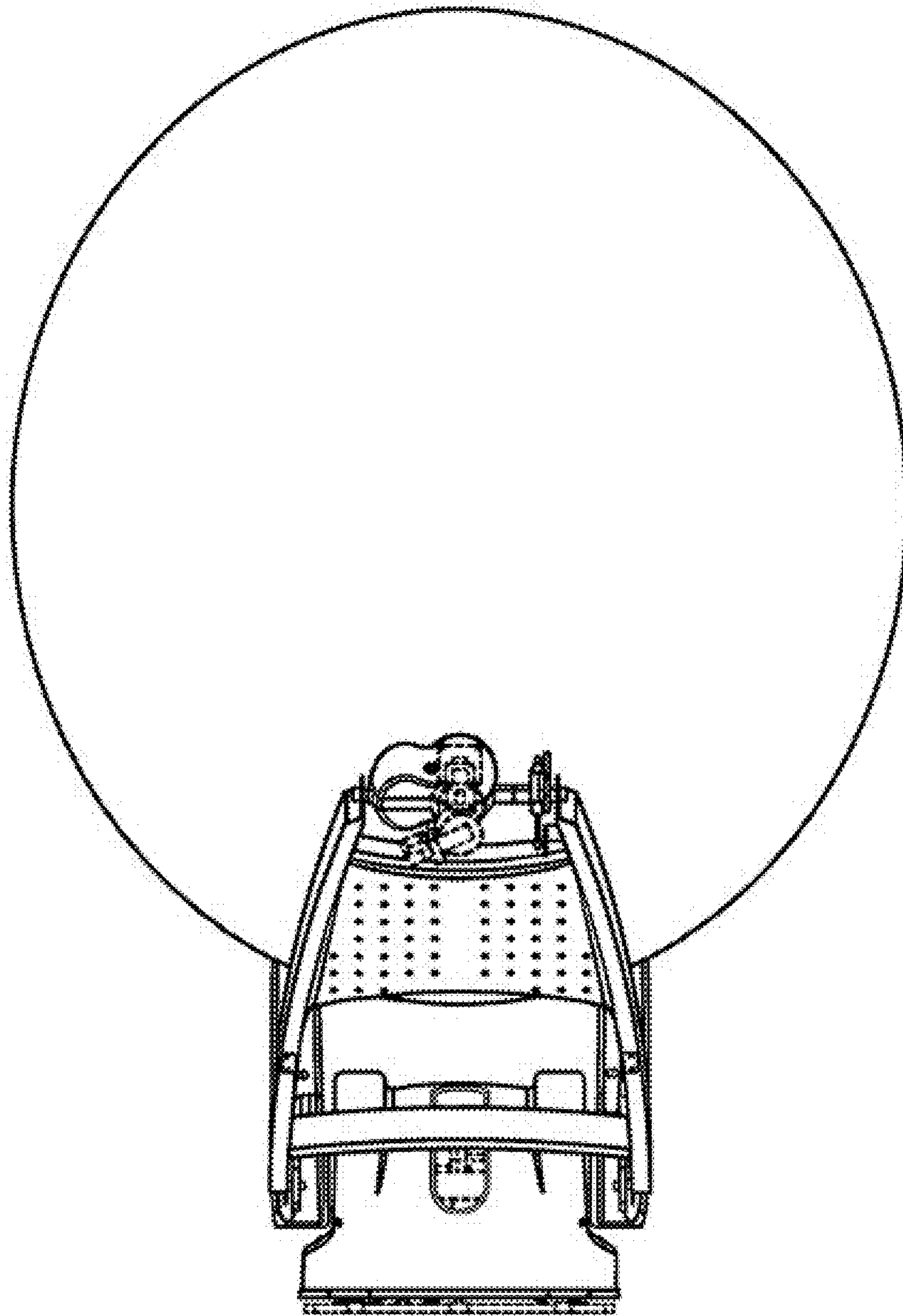


Fig. 5

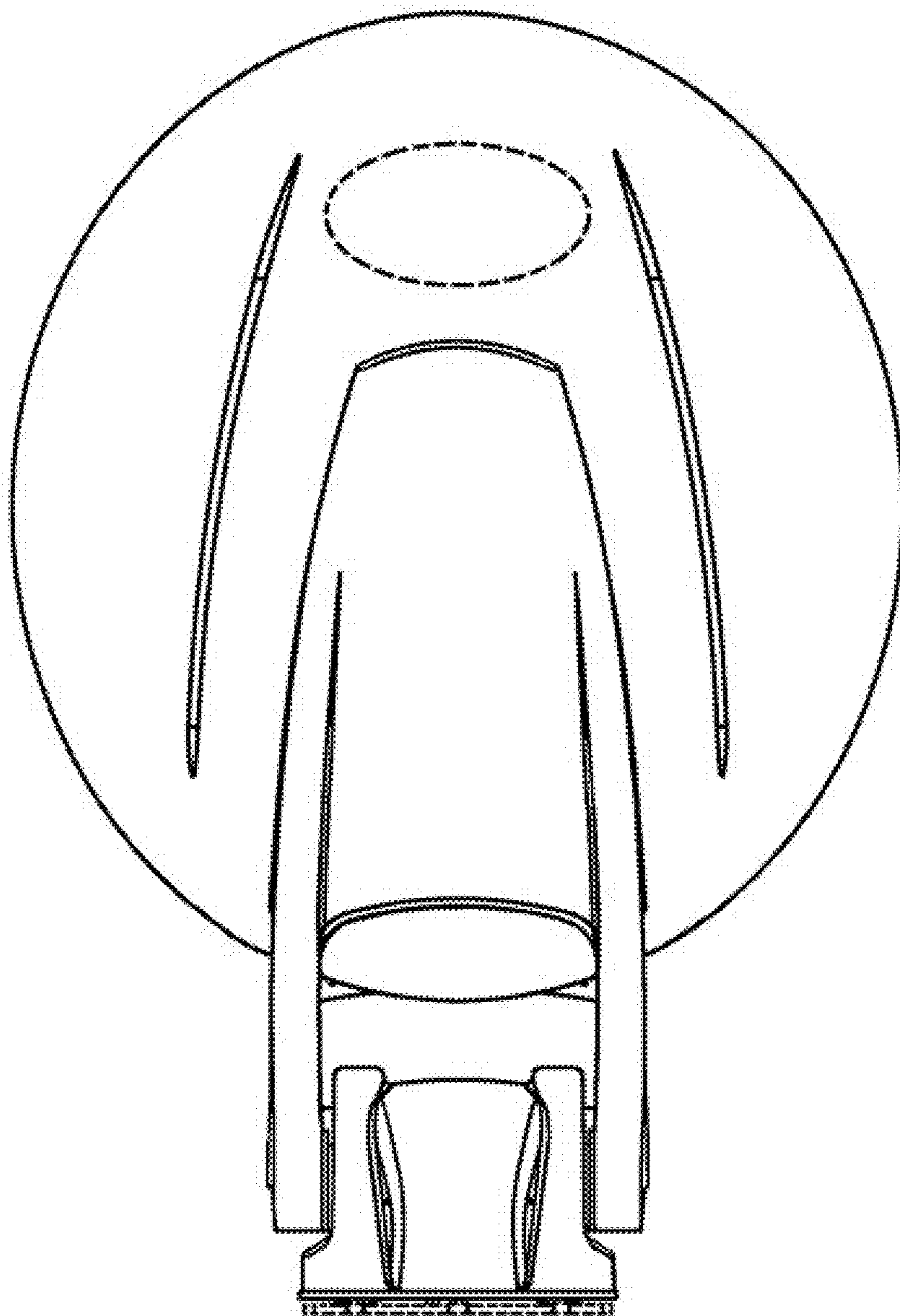


Fig. 6

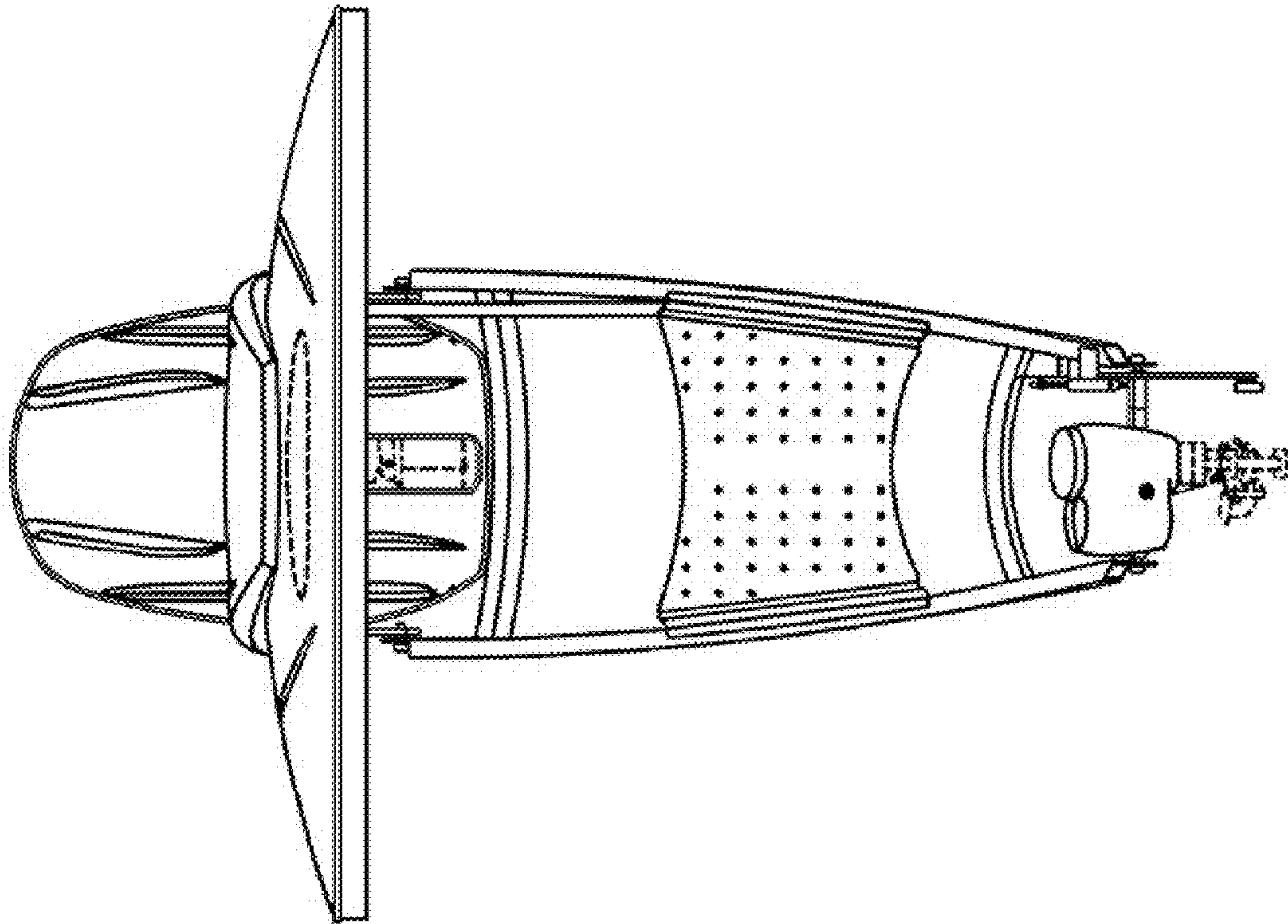


Fig. 7

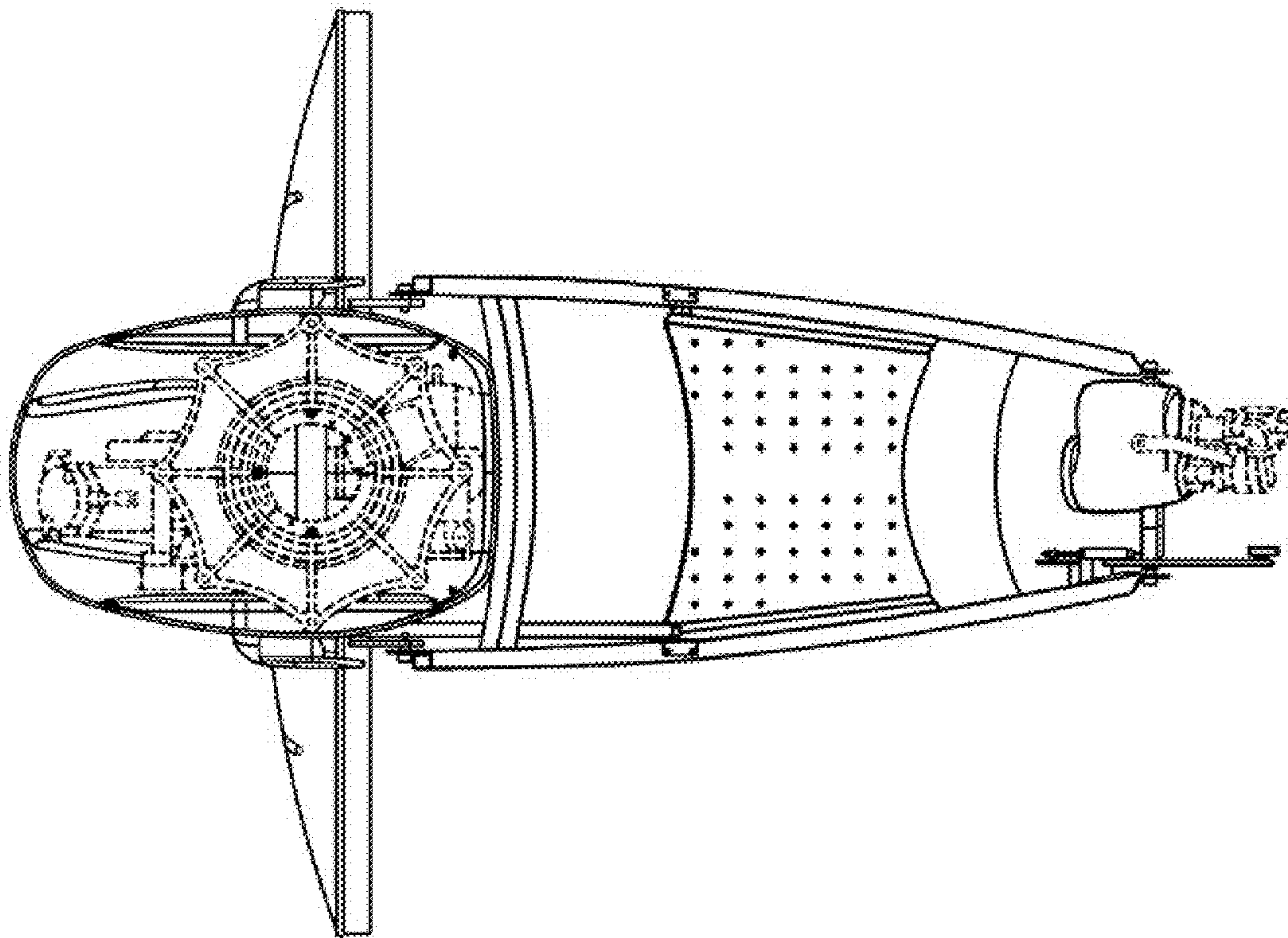


Fig. 8

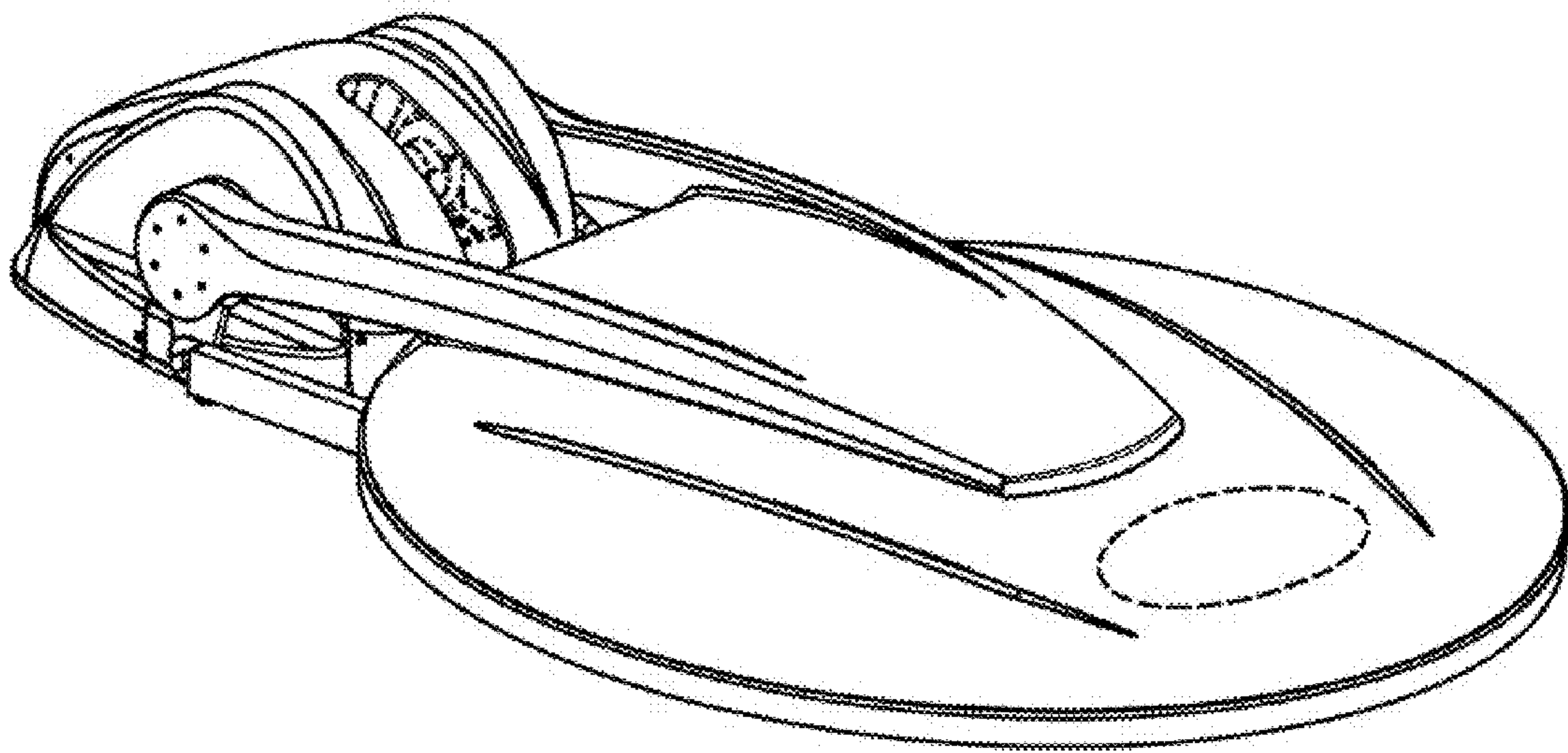


Fig. 9

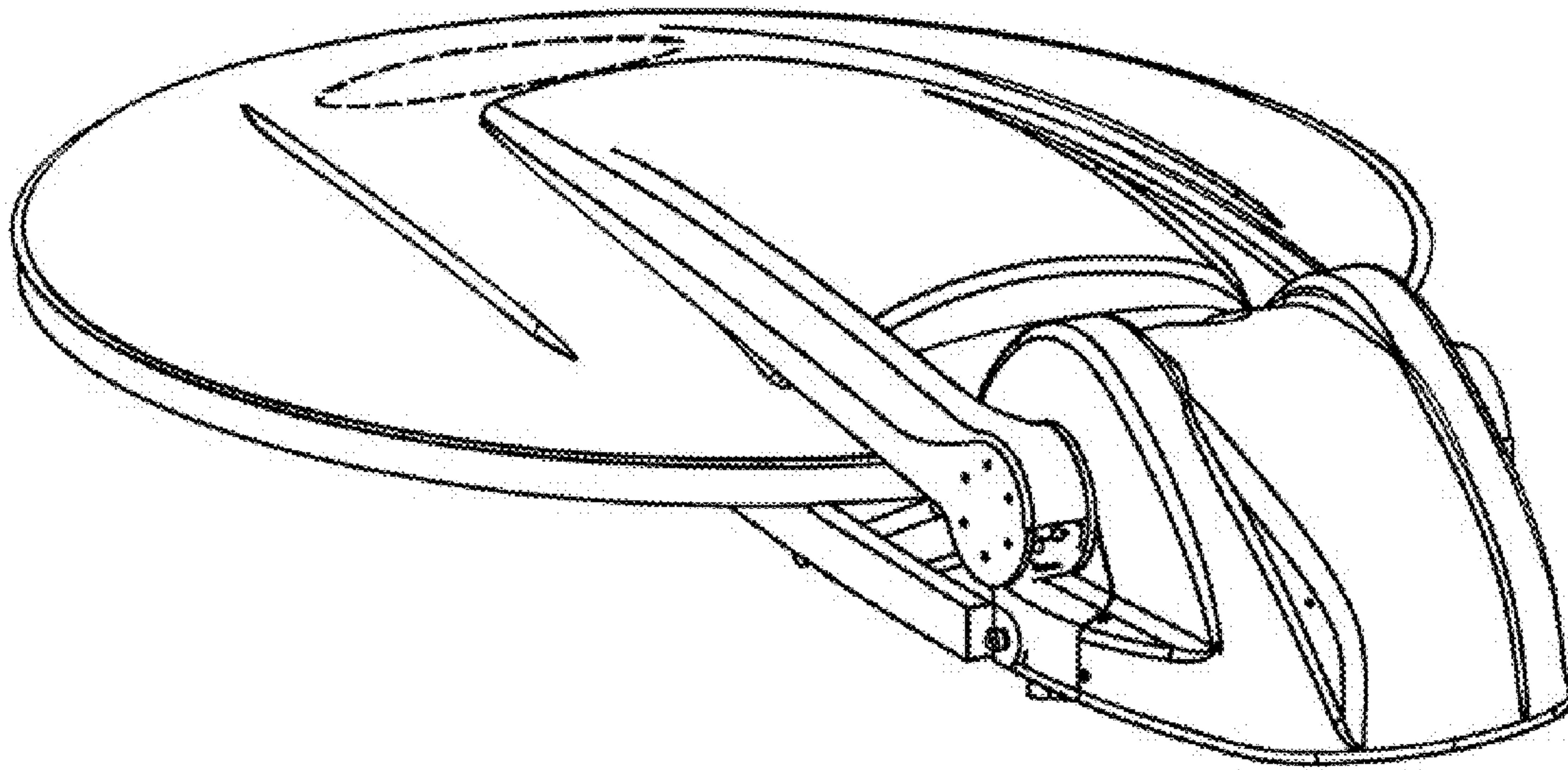


Fig. 10

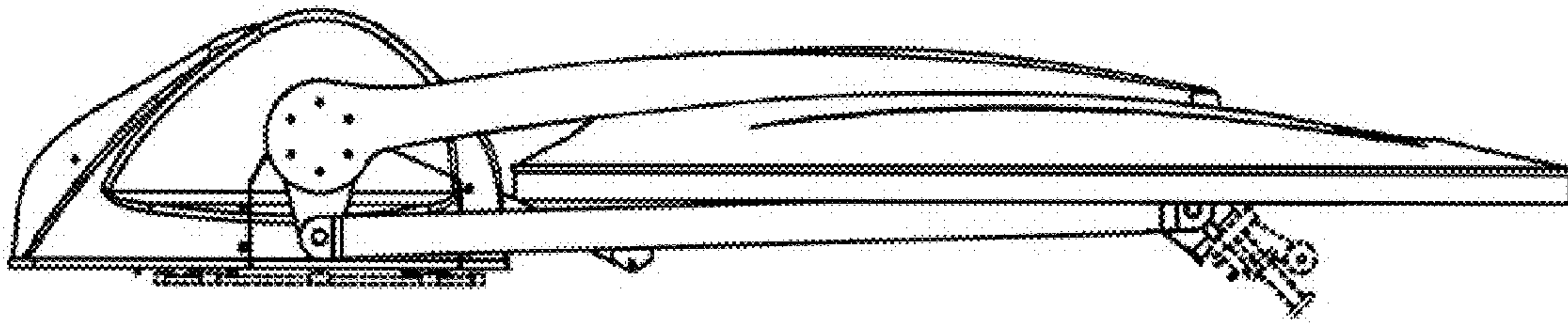


Fig. 11

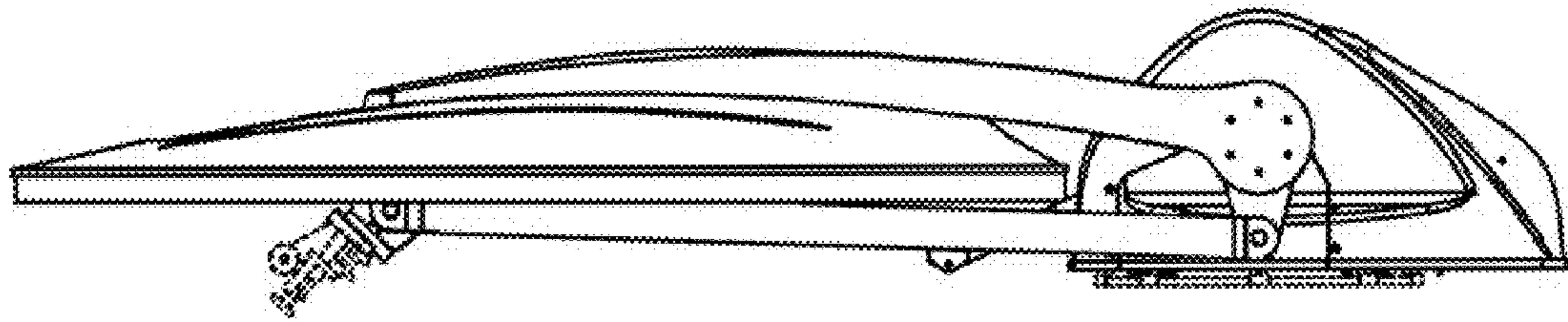


Fig. 12

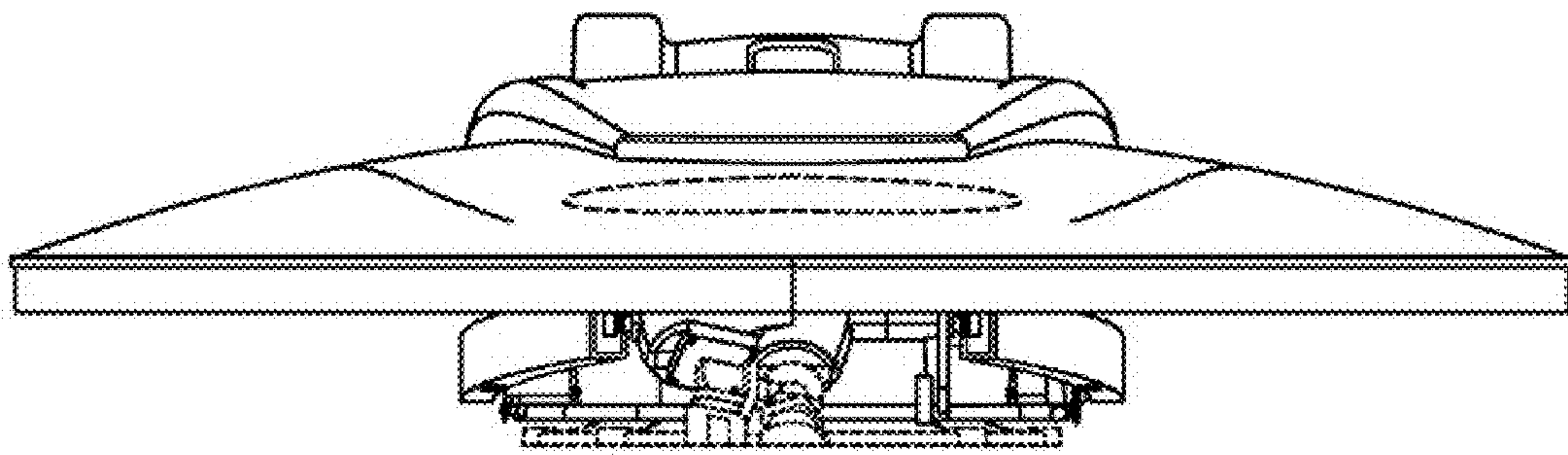


Fig. 13

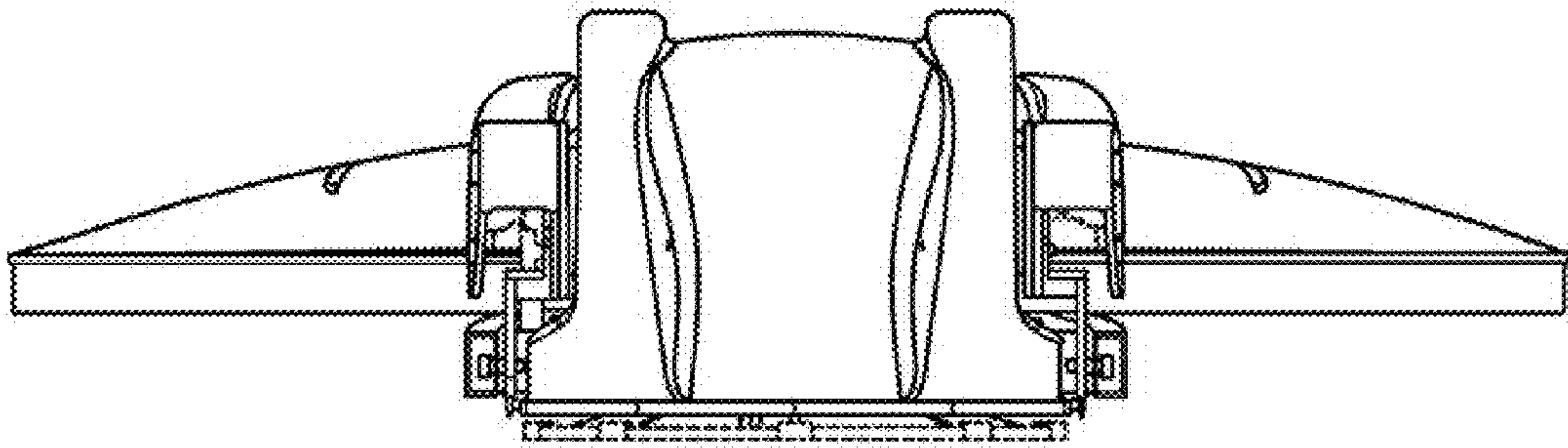


Fig. 14

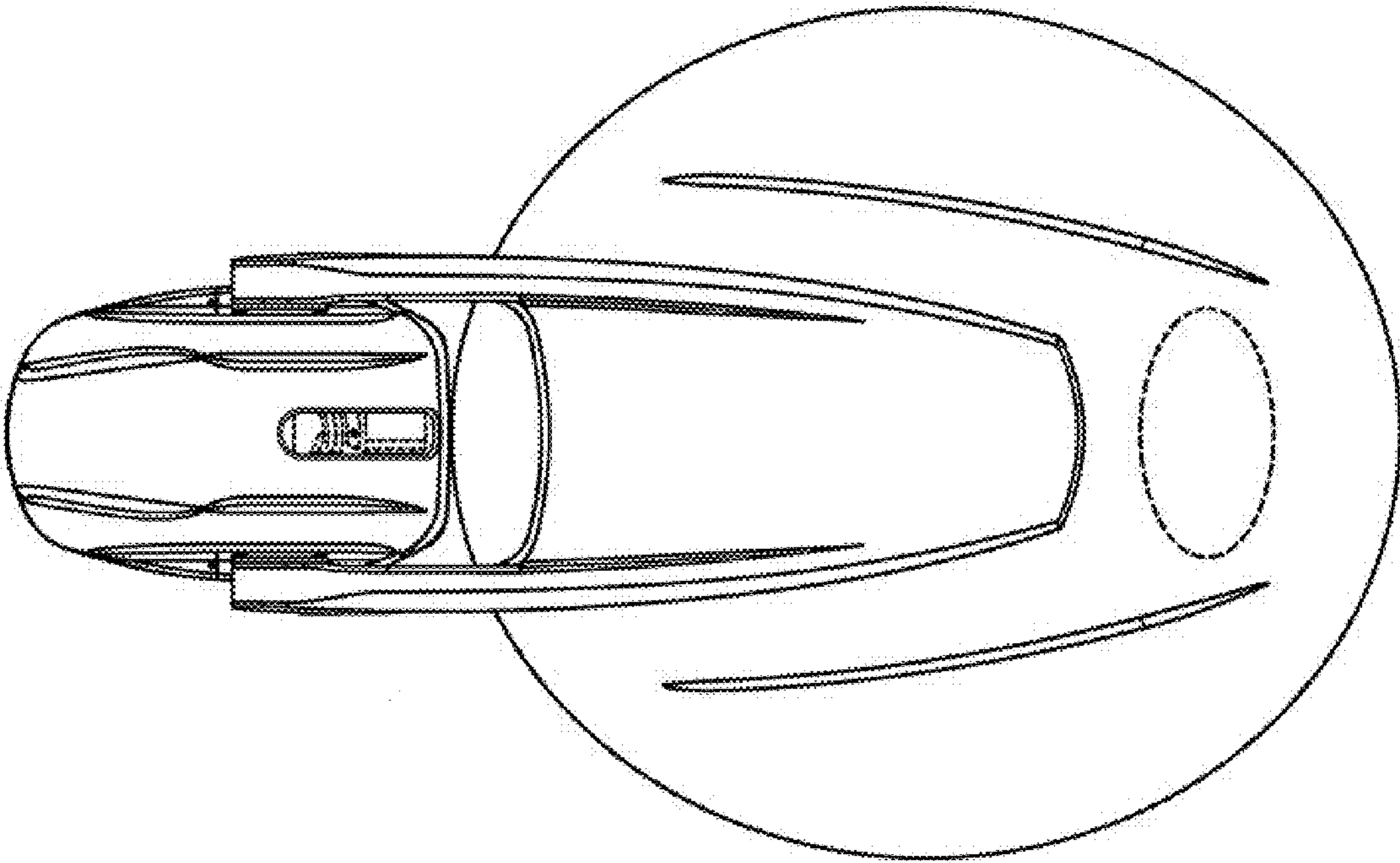


Fig. 15

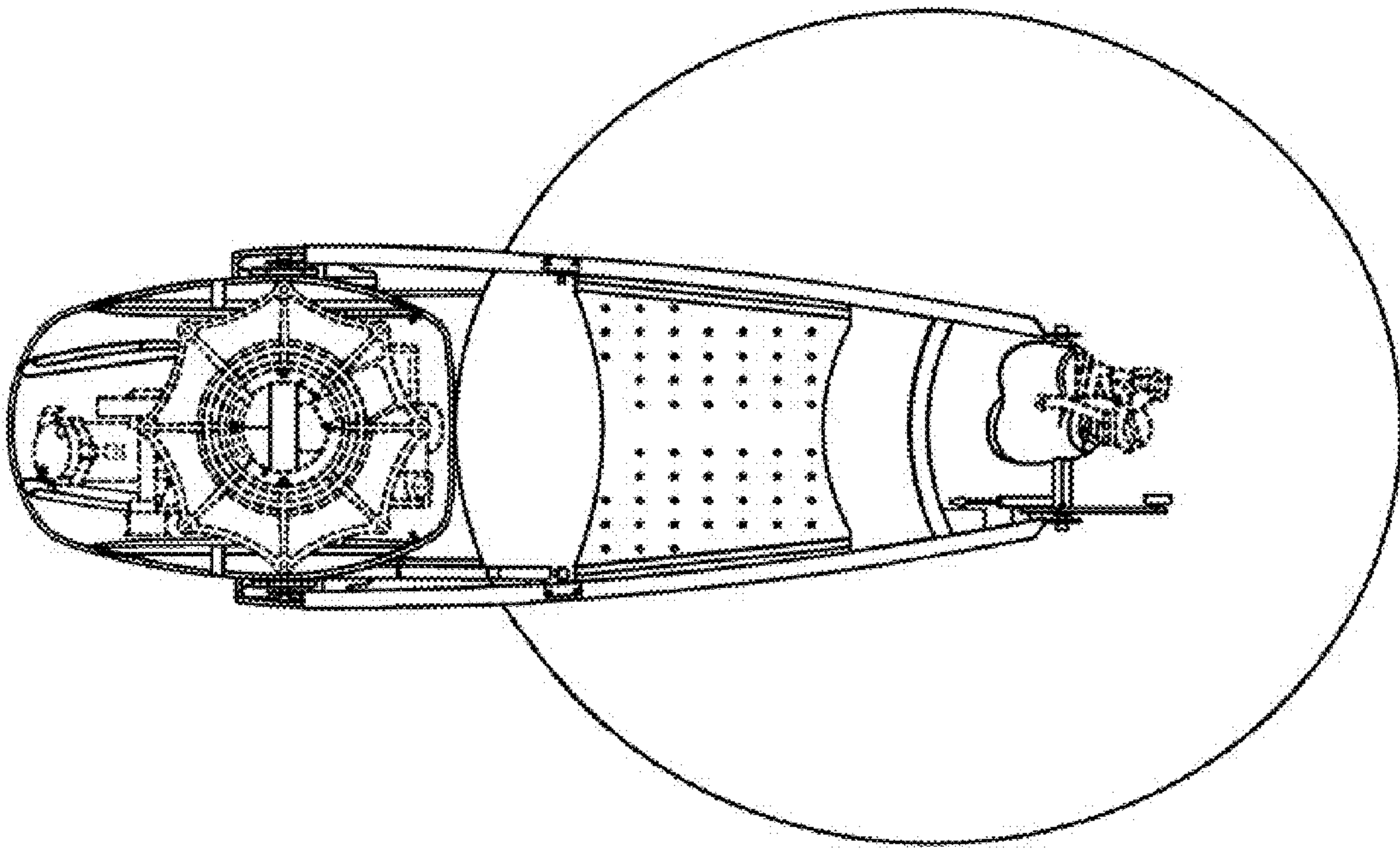


Fig. 16