



US00D696645S

(12) **United States Design Patent**  
**Li et al.**

(10) **Patent No.:** **US D696,645 S**

(45) **Date of Patent:** **\*\* Dec. 31, 2013**

(54) **SPEAKER**

(71) Applicant: **Hewlett-Packard Development Company, L.P.**, Houston, TX (US)

(72) Inventors: **Shanshan Li**, Fort Collins, CO (US);  
**Liming Daphne Kung**, Taipei (TW);  
**Alberto Villarreal Bello**, Tlalpan (MX);  
**Alexandre A. Rochat**, Seoul (KR);  
**Jonathan E. Rathbone**, Seattle, WA (US)

(73) Assignee: **Hewlett-Packard Development Company, L.P.**, Houston, TX (US)

(\*\*) Term: **14 Years**

(21) Appl. No.: **29/450,890**

(22) Filed: **Mar. 25, 2013**

(51) **LOC (9) Cl.** ..... **14-03**

(52) **U.S. Cl.**  
USPC ..... **D14/214**

(58) **Field of Classification Search**  
USPC ..... D14/172, 194, 196, 204, 207, 209.1,  
D14/210–217, 219–222, 224; 181/143, 144,  
181/147, 148, 150, 153, 157, 198, 199;  
381/300–303, 306, 332, 333, 336, 345,  
381/361–364, 386–388

See application file for complete search history.

(56) **References Cited**

U.S. PATENT DOCUMENTS

D534,897 S *	1/2007	Bhakta .....	D14/214
D547,329 S *	7/2007	Aoki .....	D14/496
D551,208 S *	9/2007	Yano .....	D14/214
D556,737 S *	12/2007	Oh .....	D14/214
D579,953 S *	11/2008	Chen .....	D14/496

\* cited by examiner

*Primary Examiner* — Keli L Hill

(57) **CLAIM**

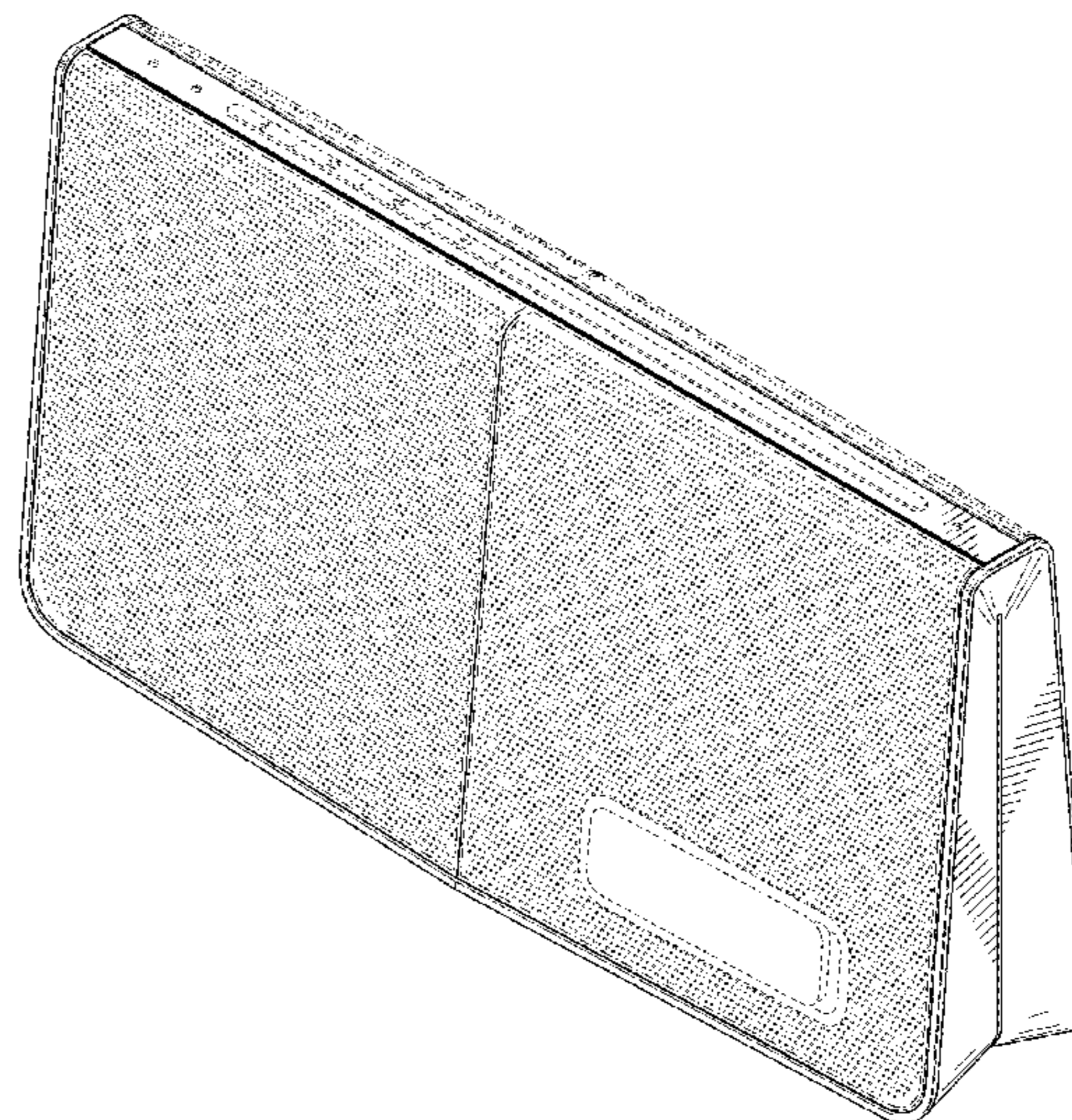
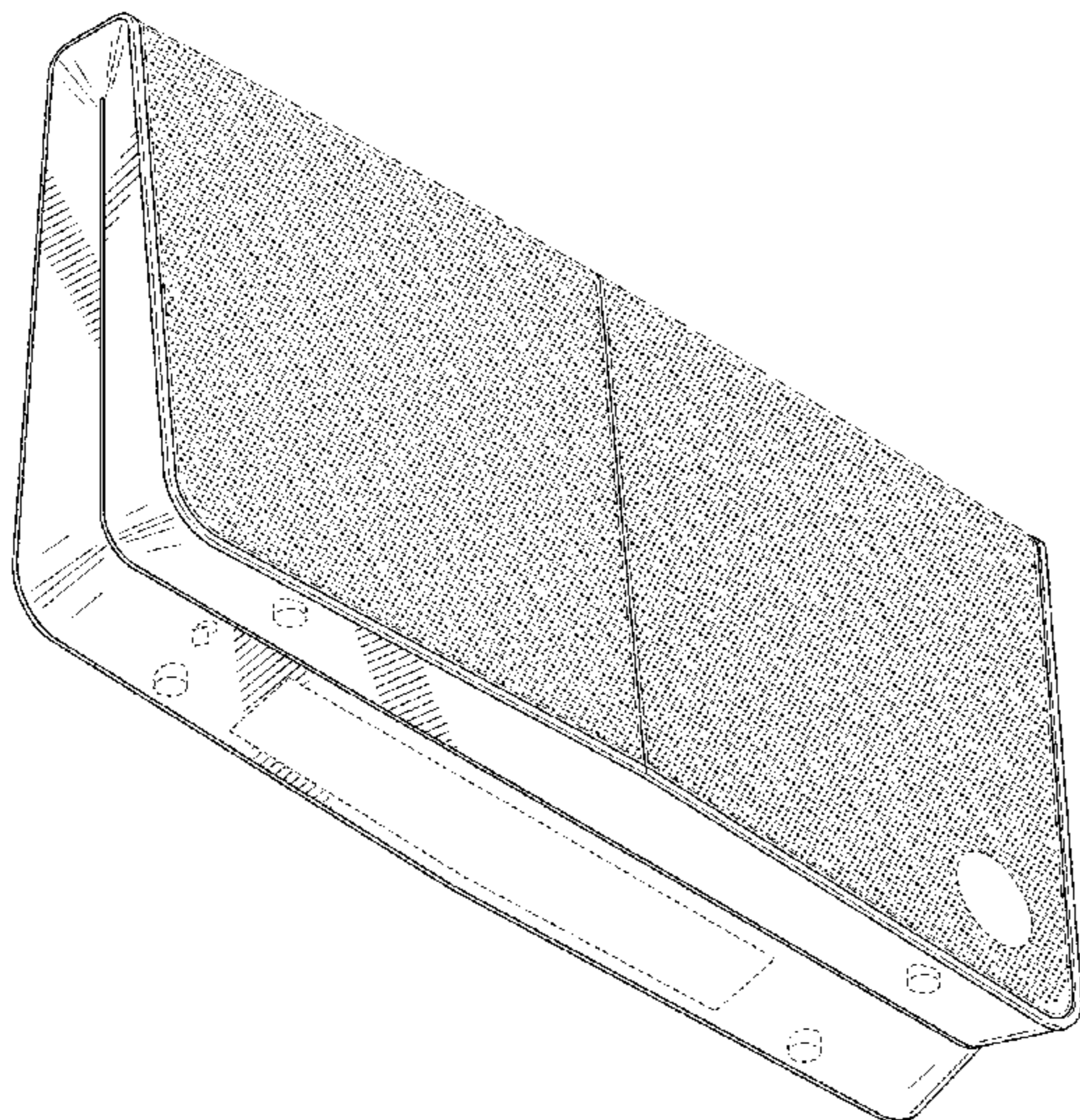
We claim the ornamental design for a speaker, as shown and described.

**DESCRIPTION**

FIG. 1 is a front perspective view of a portable speaker;  
FIG. 2 is a front view thereof;  
FIG. 3 is a rear view thereof;  
FIG. 4 is a top view thereof;  
FIG. 5 is a bottom view thereof;  
FIG. 6 is a left side view thereof;  
FIG. 7 is a right side view thereof;  
FIG. 8 is a bottom perspective view thereof; and,  
FIG. 9 is a rear perspective view thereof.

The broken lines shown are included for the purpose of illustrating portions of the speaker that form no part of the claim. The short dash-long dash lines are boundary lines which do not form part of the claimed design.

**1 Claim, 9 Drawing Sheets**



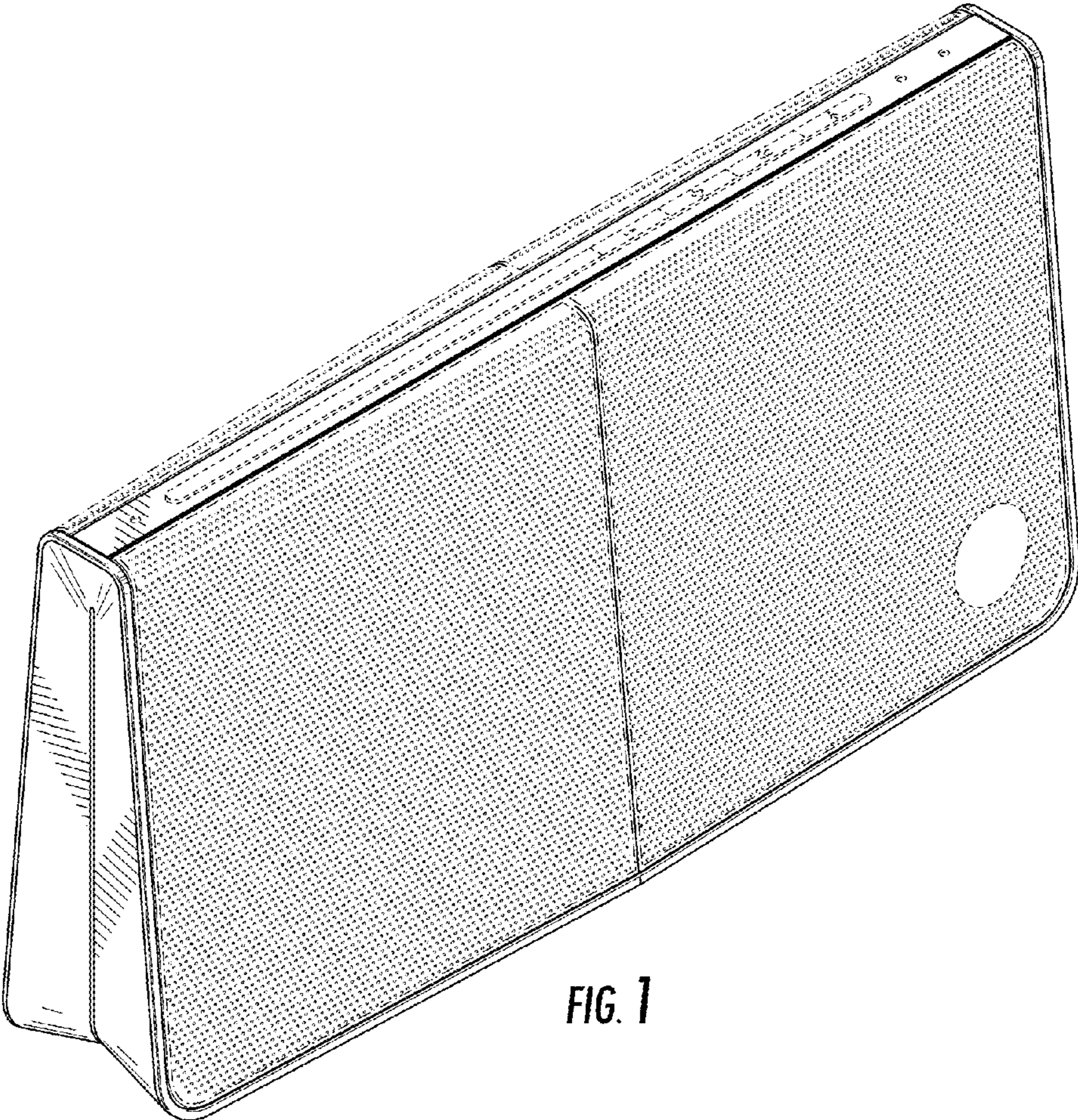


FIG. 1

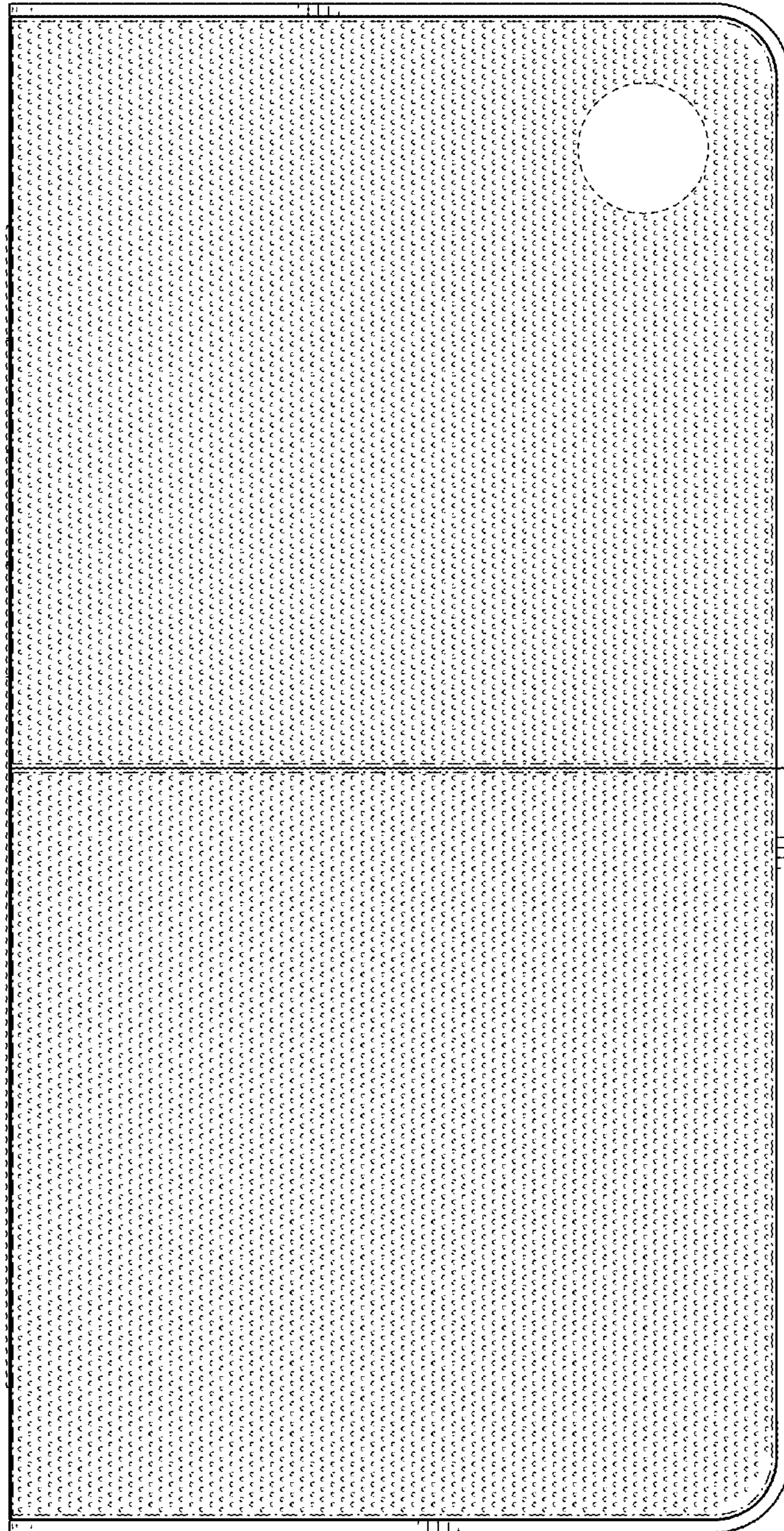


FIG. 2

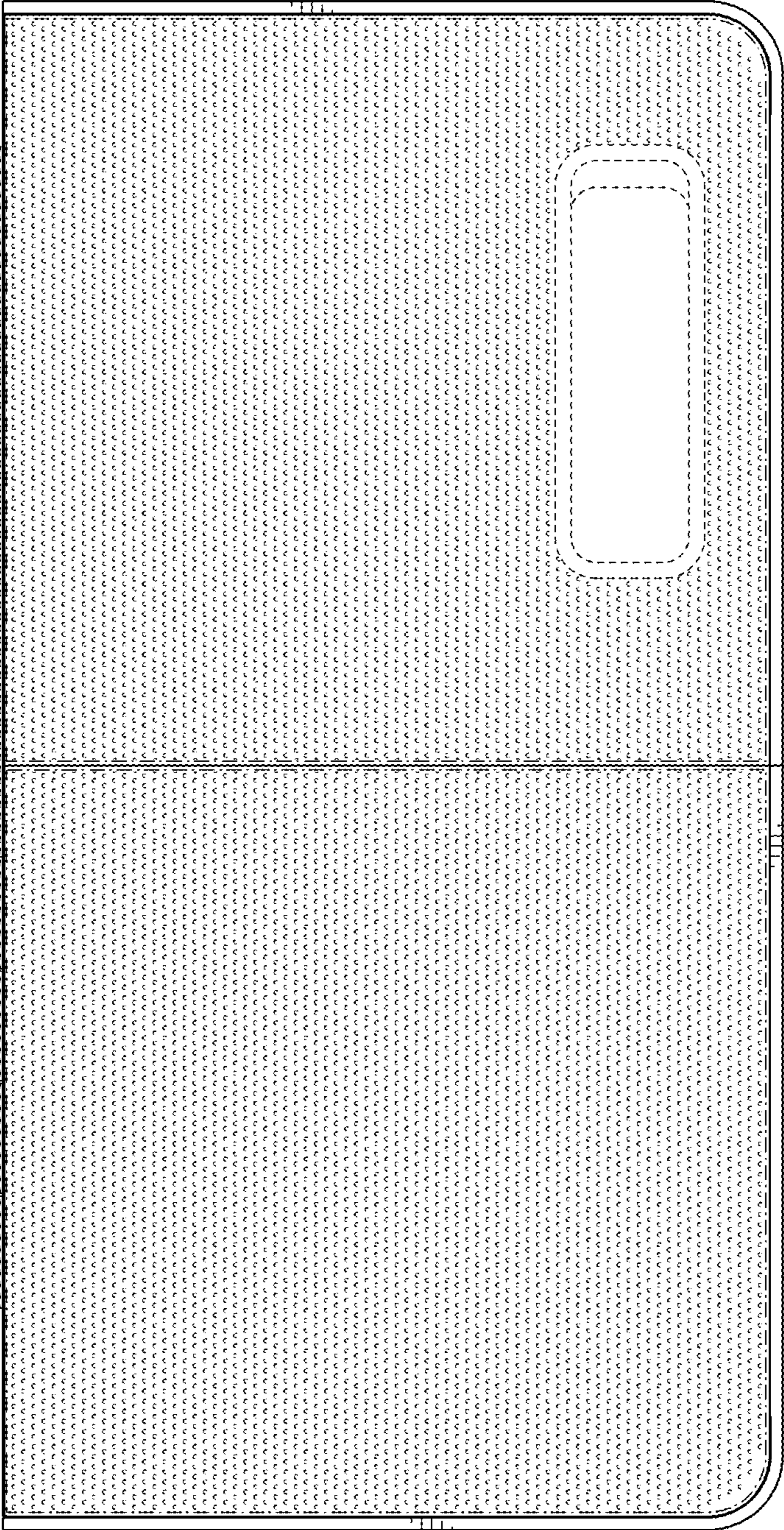


FIG. 3

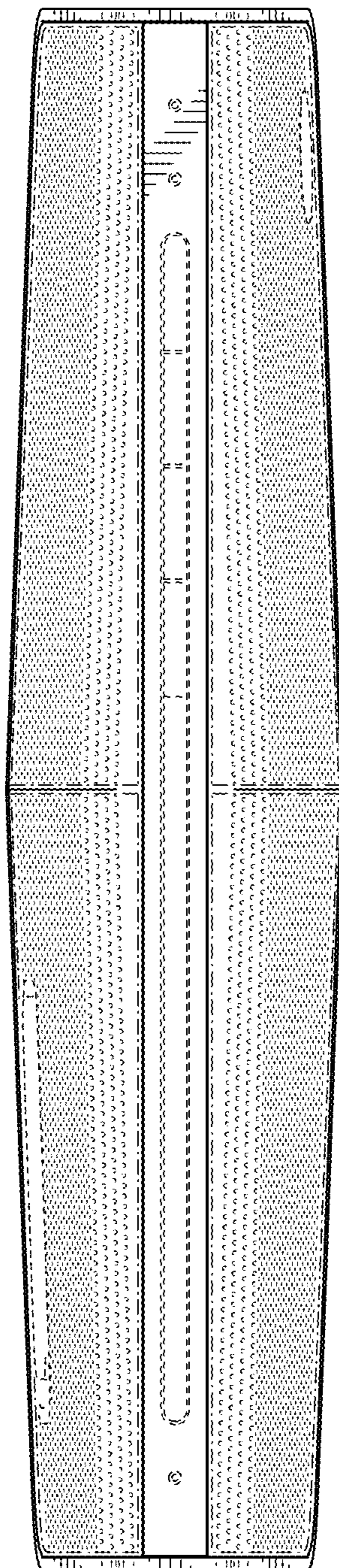


FIG. 4

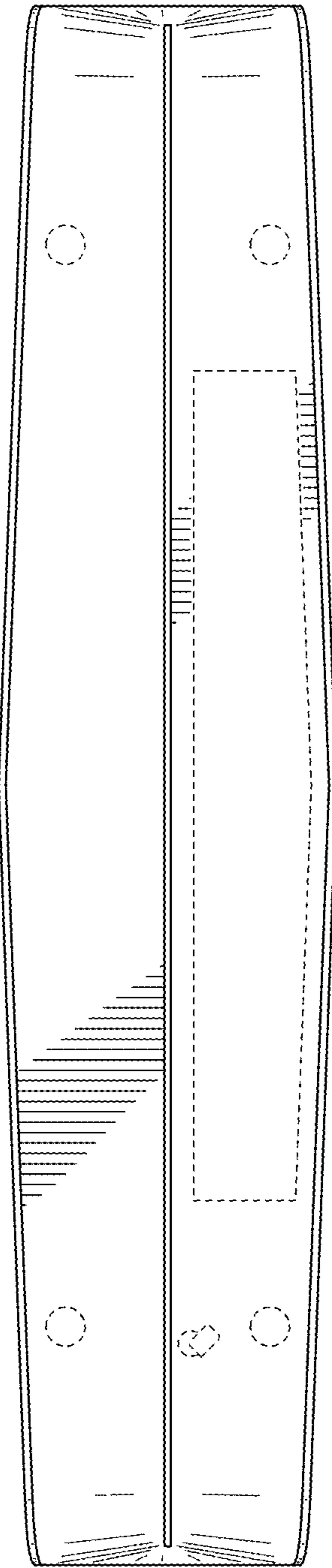


FIG. 5

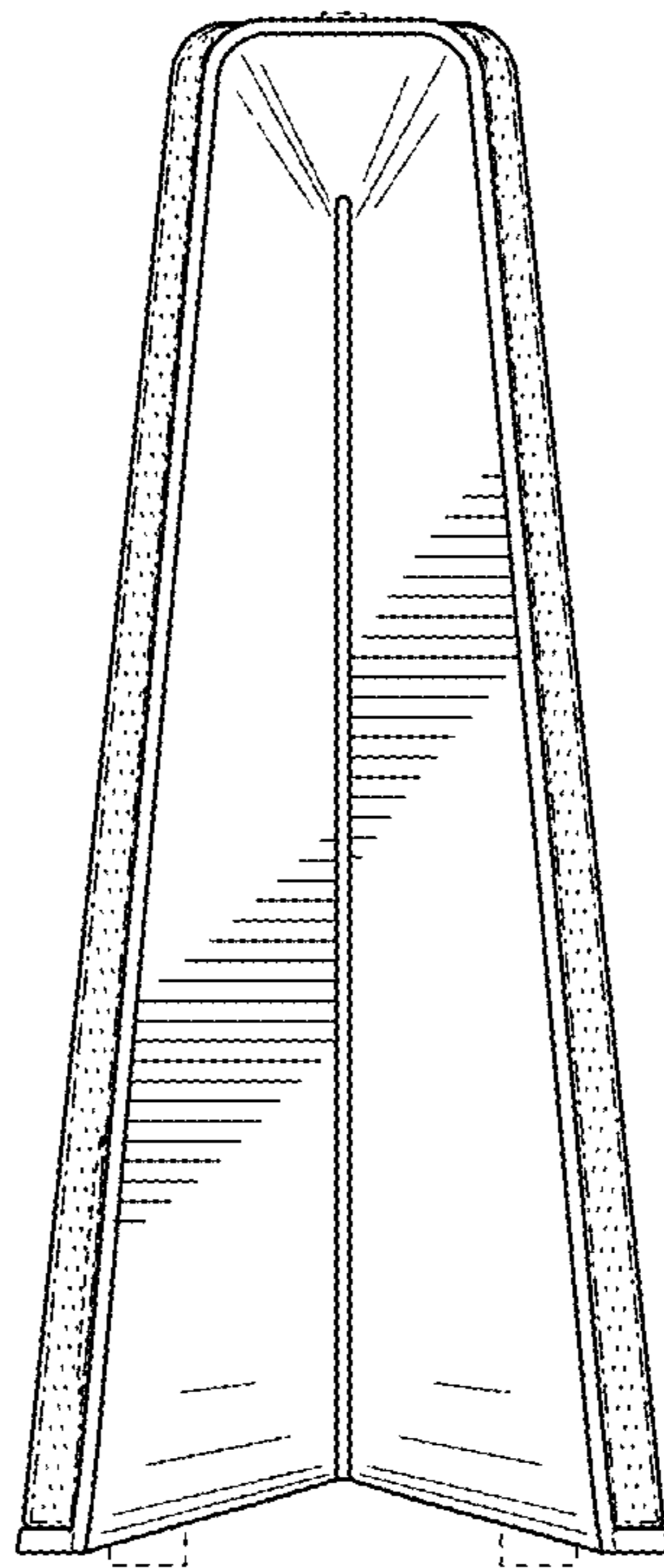
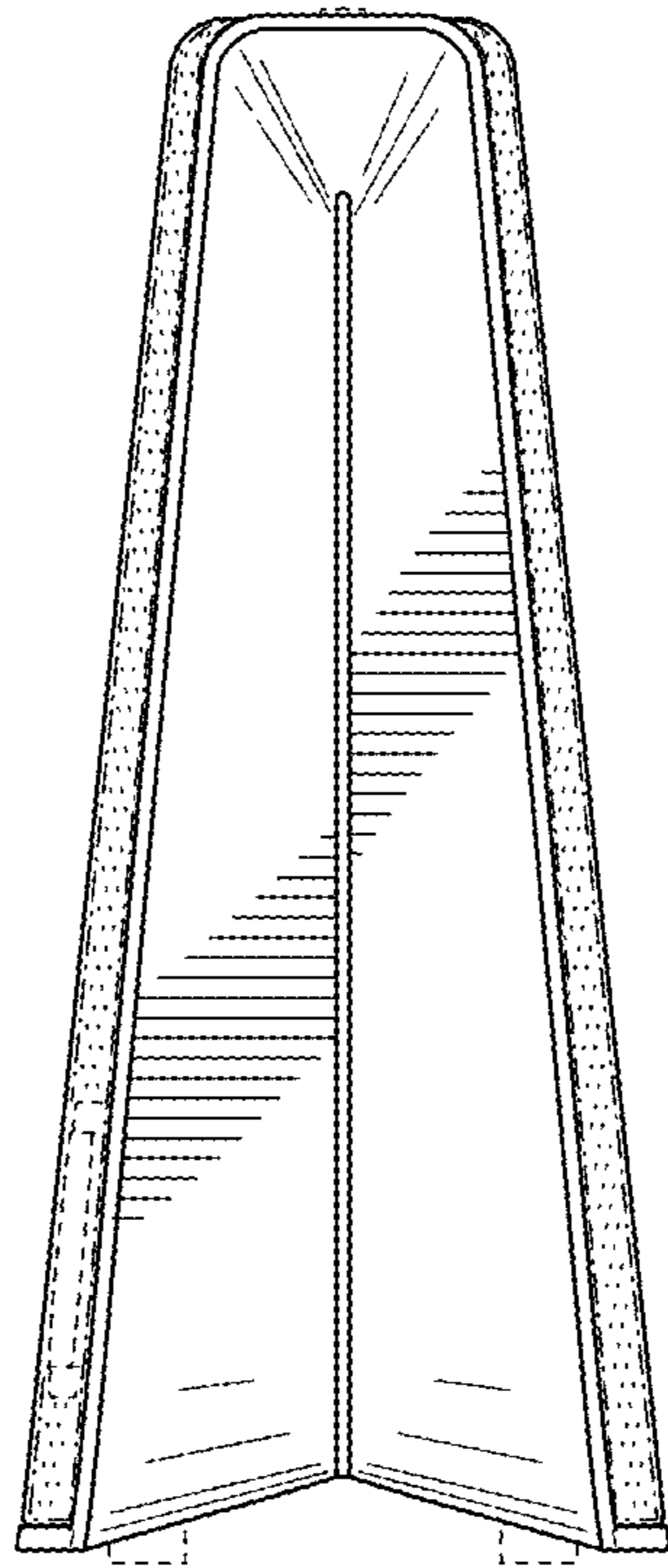


FIG. 6



**FIG. 7**



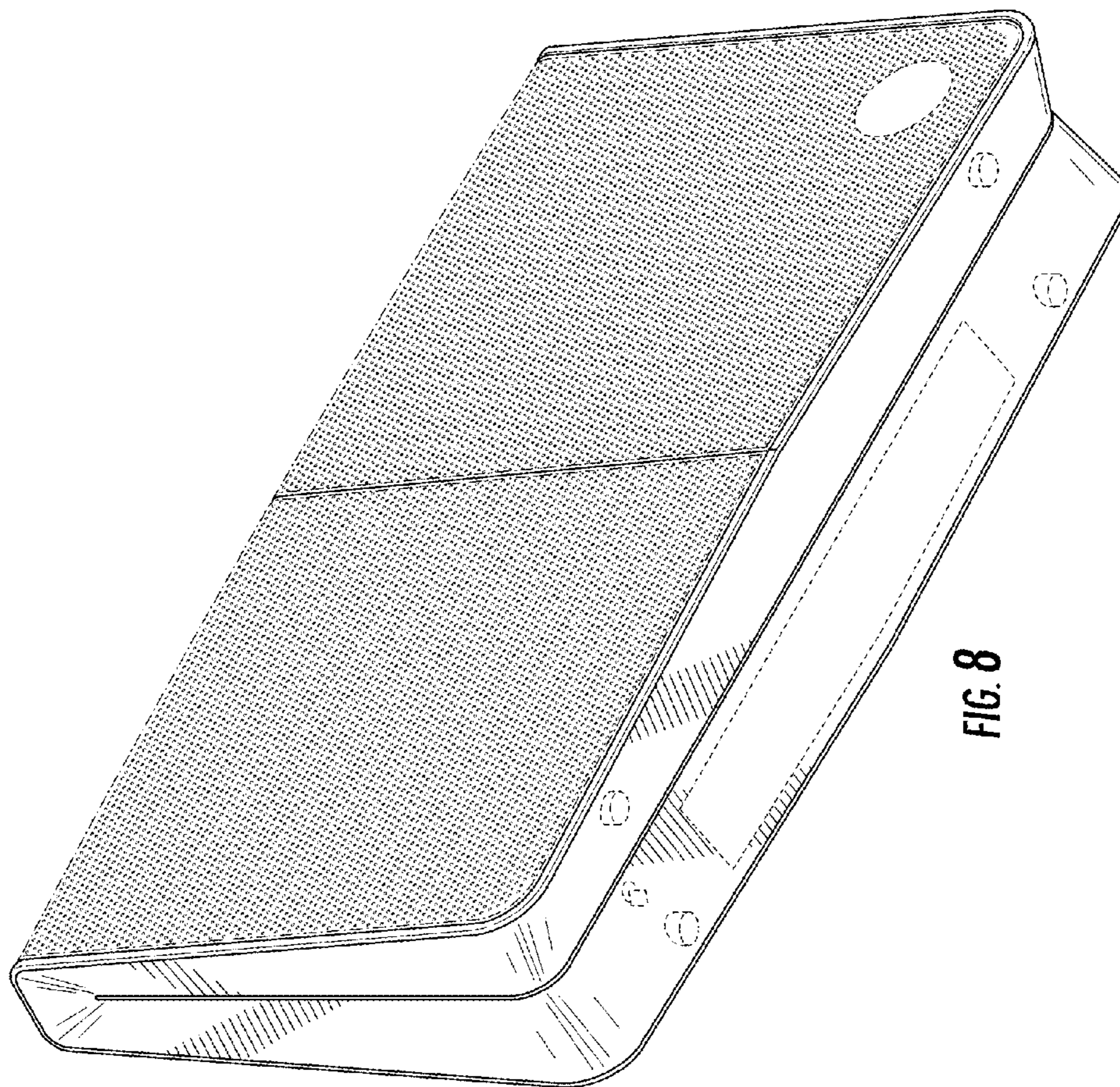


FIG. 8

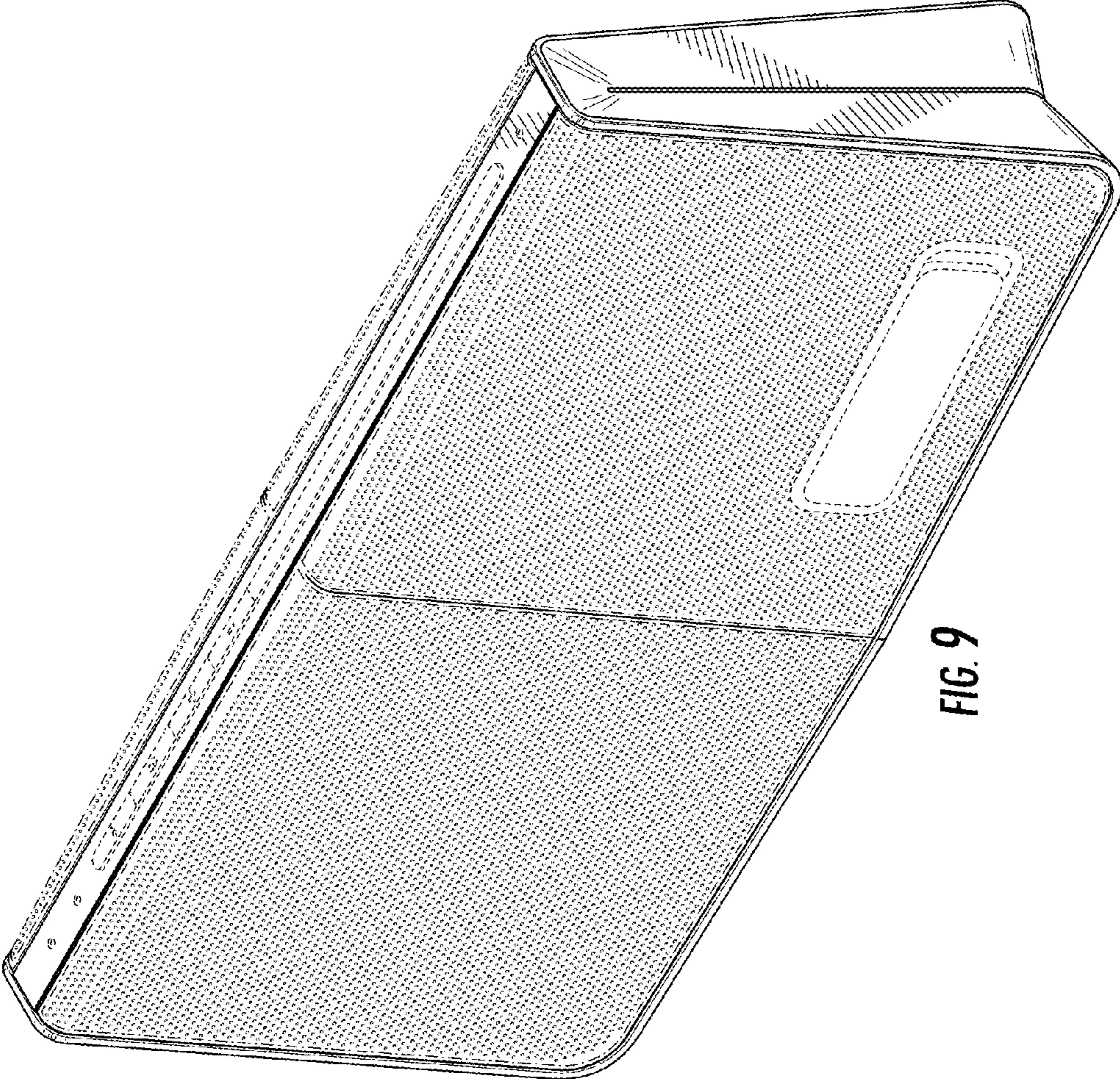


FIG. 9