

US00D696643S

(12) **United States Design Patent**
Lee et al.

(10) **Patent No.:** **US D696,643 S**
(45) **Date of Patent:** **** Dec. 31, 2013**

(54) **HEADPHONE END CAPS**
(75) Inventors: **Noel Lee**, Las Vegas, NV (US);
Kendrew Lee, Tsing Yi (HK)
(73) Assignee: **Monster, LLC**, Las Vegas, NV (US)
(**) Term: **14 Years**
(21) Appl. No.: **29/430,708**
(22) Filed: **Aug. 29, 2012**
(51) **LOC (9) Cl.** **14-01**
(52) **U.S. Cl.**
USPC **D14/205**
(58) **Field of Classification Search**
USPC D14/205, 206, 223, 192, 217, 238.1,
D14/240, 253; 181/129, 130, 135; 379/430,
379/431; 381/380, 381; D29/112; 2/209;
455/90.3, 575.1
See application file for complete search history.

D637,176 S * 5/2011 Brunner et al. D14/205
D643,833 S * 8/2011 Lee et al. D14/223
D652,406 S * 1/2012 Lee et al. D14/205
D657,344 S * 4/2012 Brunner et al. D14/205
D657,776 S * 4/2012 Lee et al. D14/205
D660,824 S * 5/2012 Hardi et al. D14/205
D662,080 S * 6/2012 Carr et al. D14/205
D669,451 S * 10/2012 Tappeiner et al. D14/205
D671,914 S * 12/2012 Lee et al. D14/205
D673,136 S * 12/2012 Kelly et al. D14/205
D673,518 S * 1/2013 Tan D14/205
D675,595 S * 2/2013 Cho et al. D14/205
D677,647 S * 3/2013 Lee et al. D14/205
D678,860 S * 3/2013 Hagelin D14/205
D683,329 S * 5/2013 Hagelin D14/205

OTHER PUBLICATIONS

U.S. Appl. No. 29/400,640, filed Aug. 31, 2011; Lee, Noel.
U.S. Appl. No. 29/406,344, filed Nov. 11, 2011; Lee, Noel.
U.S. Appl. No. 29/407,028, filed Nov. 22, 2011; Lee, Noel.

* cited by examiner

Primary Examiner — Paula Greene

(74) *Attorney, Agent, or Firm* — LaRiviere, Grubman & Payne, LLP

(56) **References Cited**

U.S. PATENT DOCUMENTS

D29,707 S * 11/1898 Mulconroy D14/249
D68,060 S * 8/1925 Pacent D14/249
2,118,993 A * 5/1938 Volf 381/355
2,431,022 A * 11/1947 Brodie 381/353
4,385,209 A * 5/1983 Greason et al. 381/113
D274,516 S * 7/1984 Walker, Jr. D14/249
4,689,822 A * 8/1987 Houng 381/379
D328,074 S * 7/1992 Yamazaki et al. D14/205
D484,485 S * 12/2003 Matsuoka D14/205
D512,416 S * 12/2005 Medina Malaver D14/223
D512,417 S * 12/2005 Hirakawa et al. D14/223
7,072,483 B2 * 7/2006 Lenhard-Backhaus 381/383
D534,155 S * 12/2006 Obata D14/205
D552,077 S * 10/2007 Brunner et al. D14/205
D563,382 S * 3/2008 Wikel D14/205
D573,581 S * 7/2008 Gondo et al. D14/205
D593,995 S * 6/2009 Shimizu D14/205
D625,705 S * 10/2010 Ohori et al. D14/205
D632,668 S * 2/2011 Brunner et al. D14/205

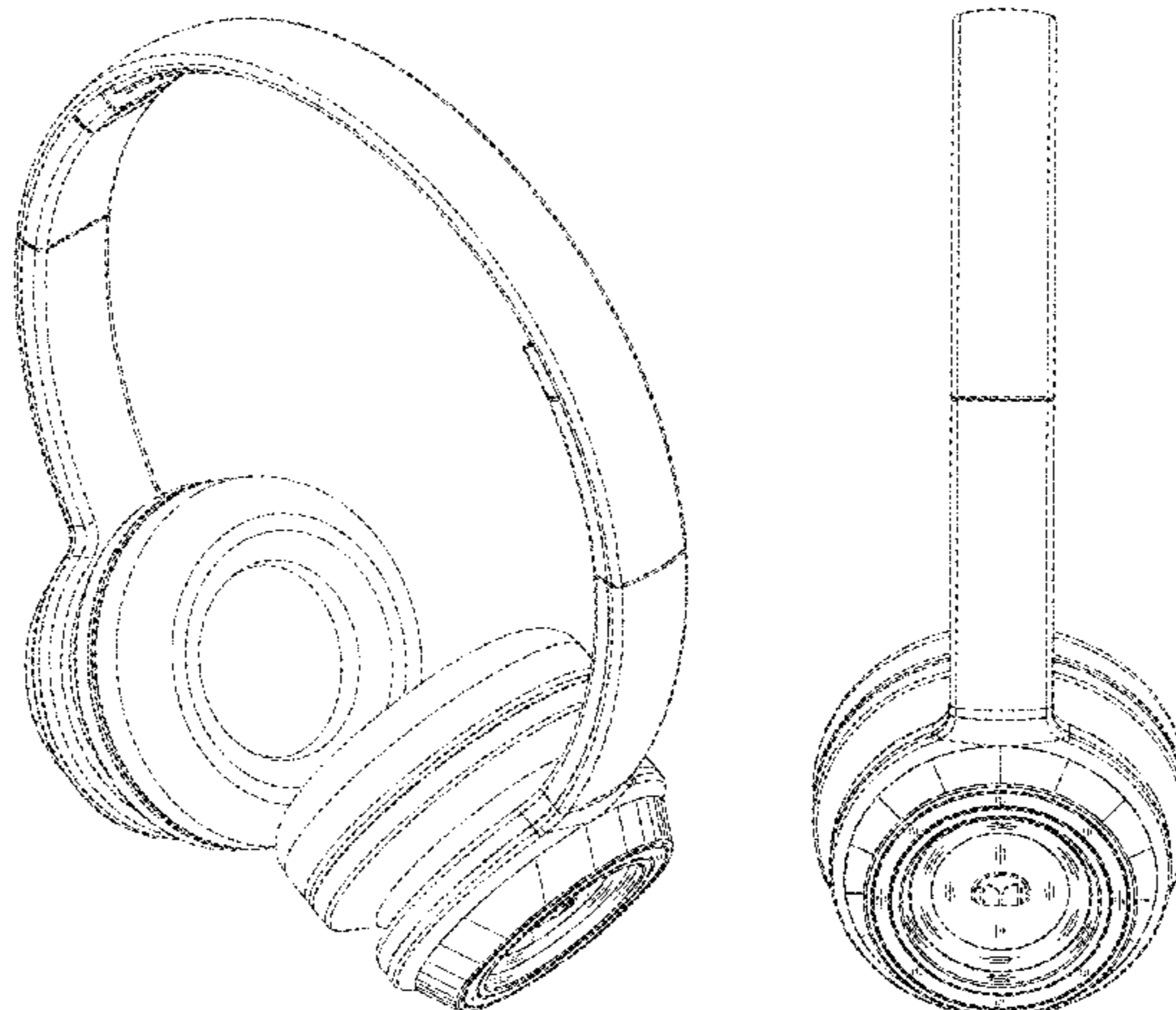
(57) **CLAIM**

The ornamental design for headphone end caps, as shown and described.

DESCRIPTION

FIG. 1 is a perspective view of headphone end caps in use condition, showing our design;
FIG. 2 is side view thereof;
FIG. 3 is an opposing side view thereof;
FIG. 4 is a front view thereof;
FIG. 5 is an opposing front view thereof;
FIG. 6 is a top view thereof; and,
FIG. 7 is a bottom view thereof.
The broken lines showing the environment are for illustrative purposes only and form no part of the claimed design.

1 Claim, 5 Drawing Sheets



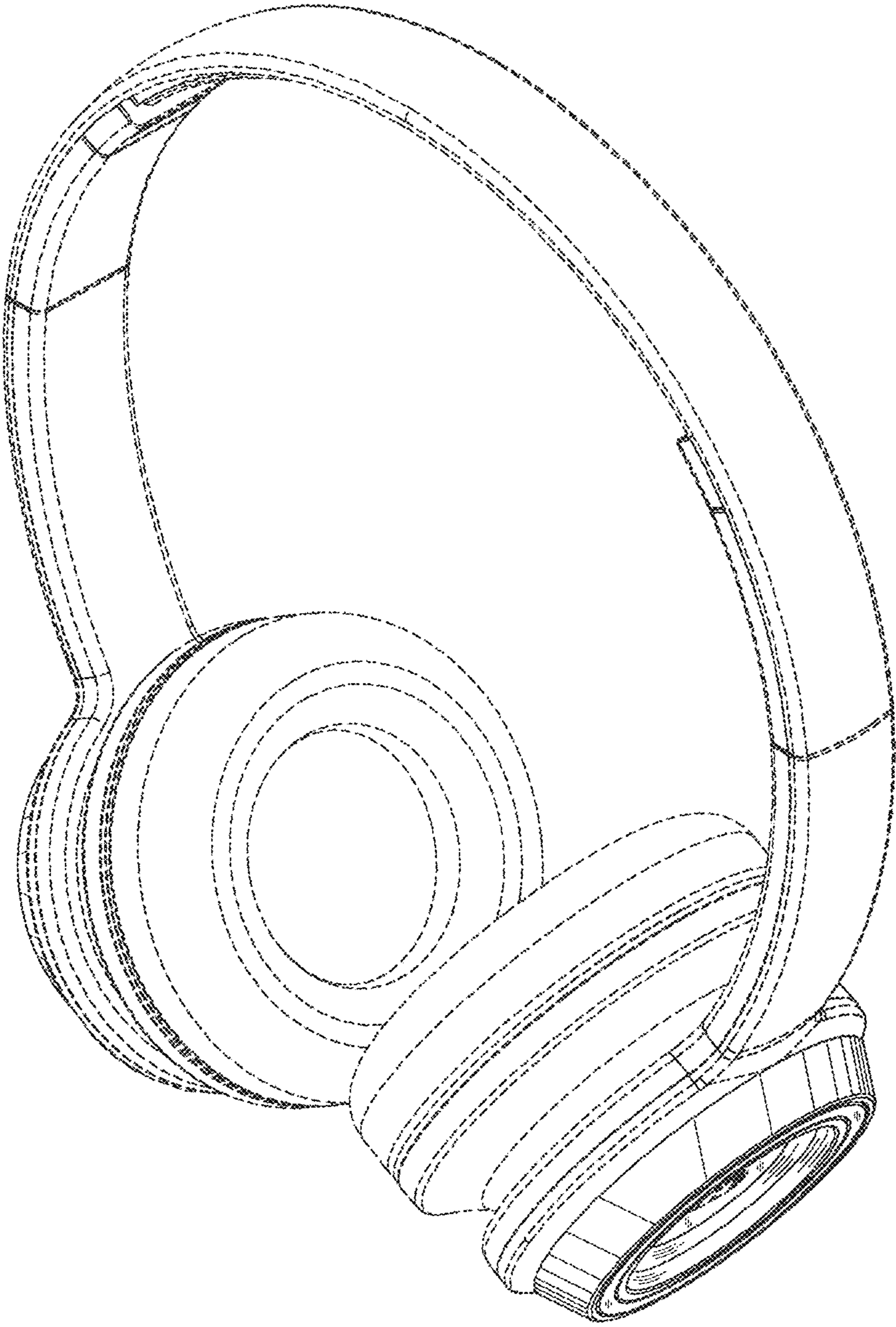


FIG. 1

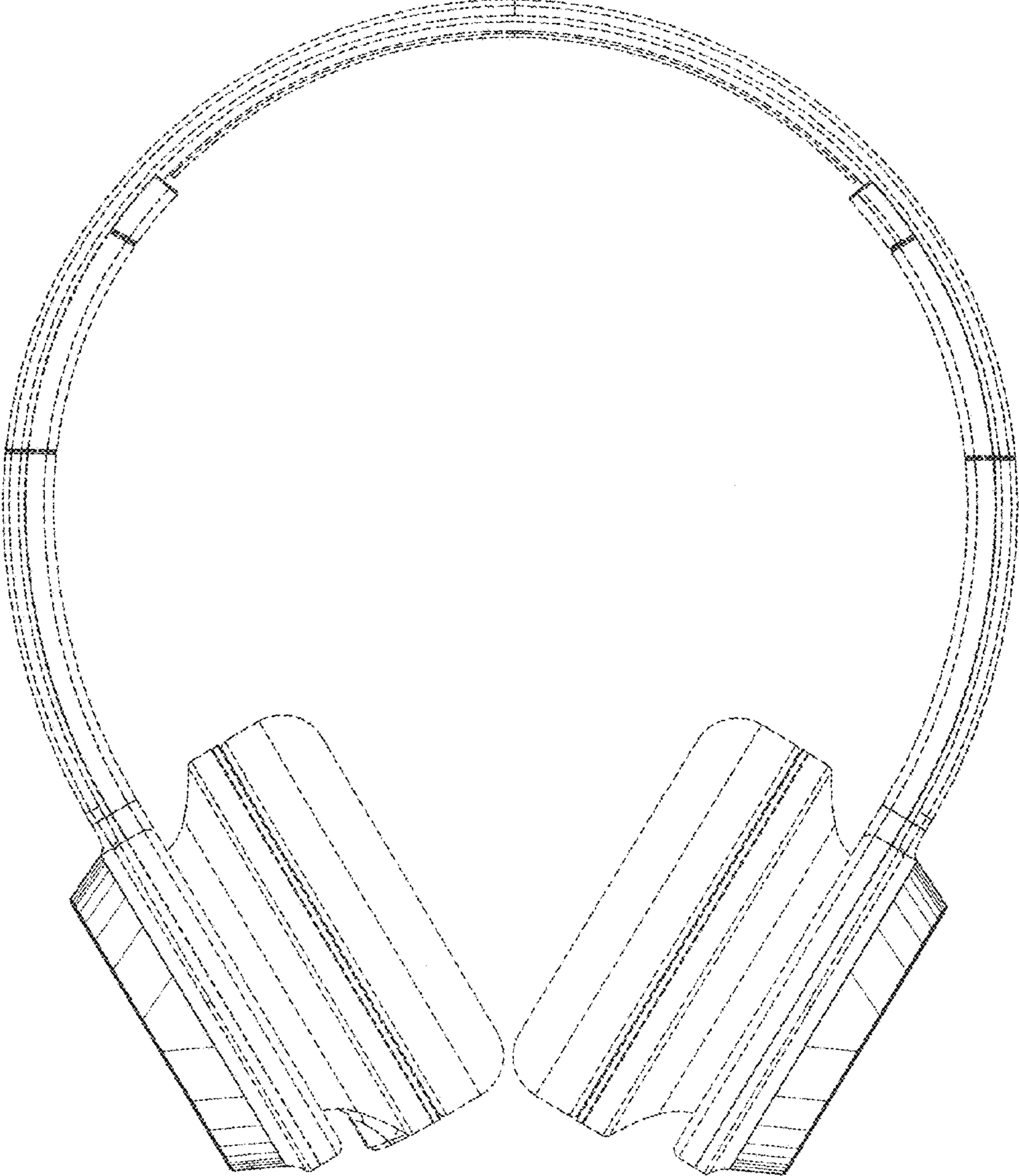


FIG. 2

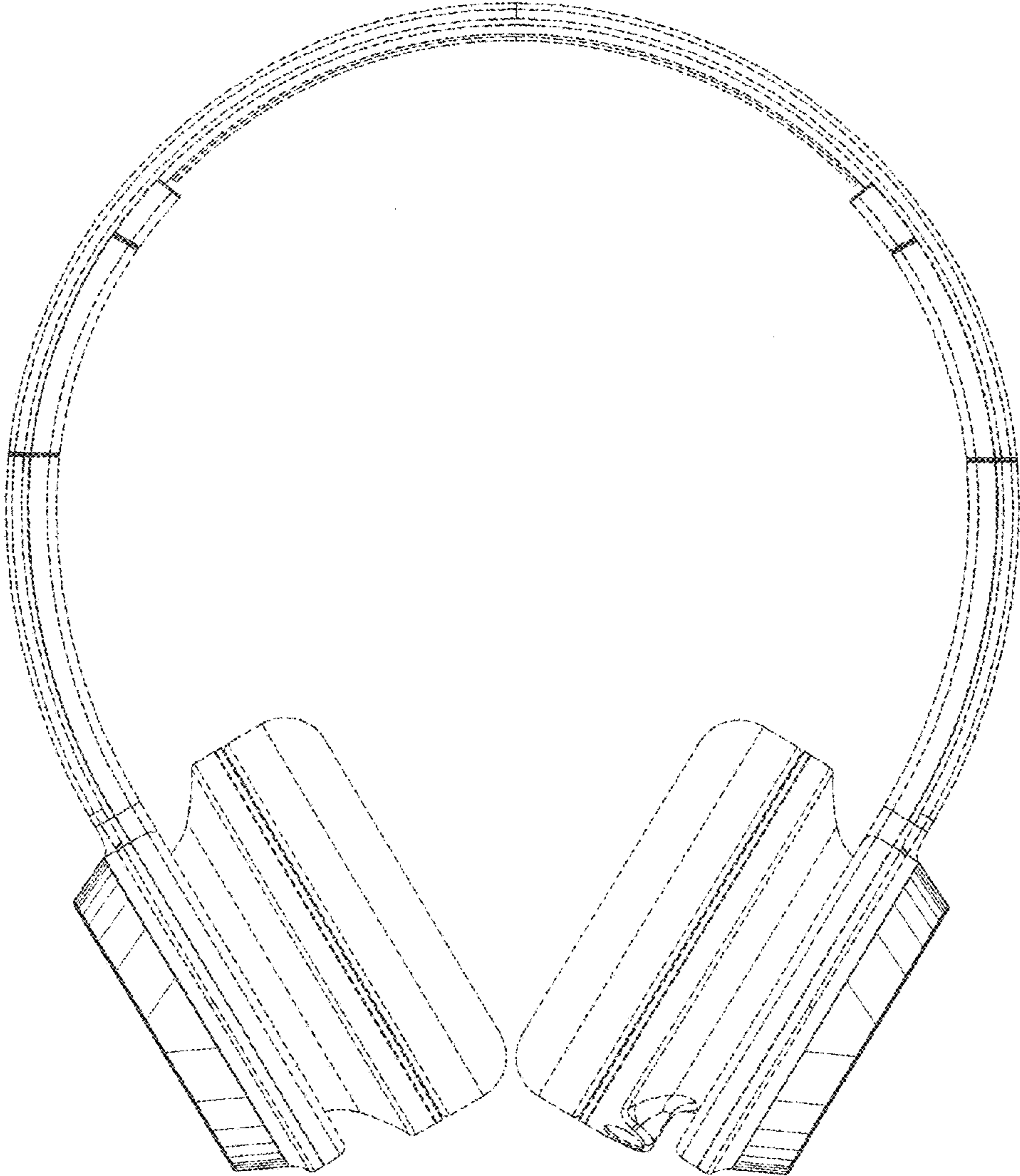


FIG. 3

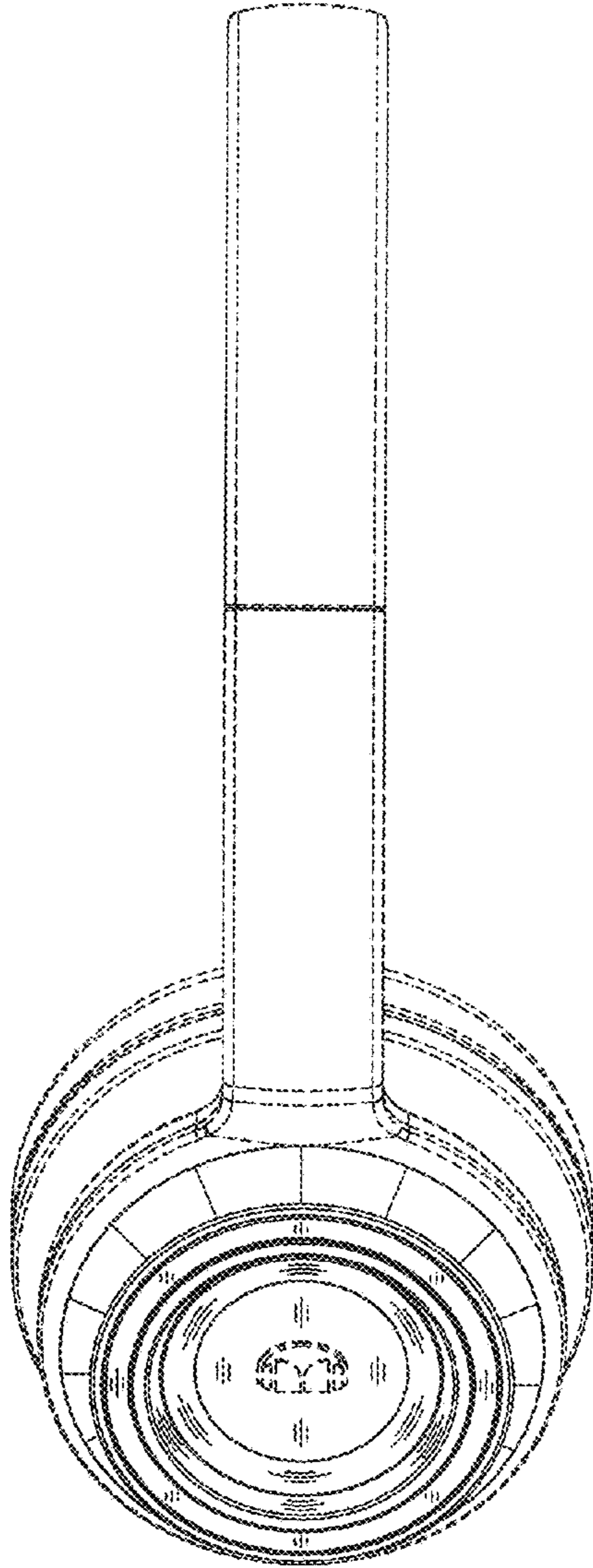


FIG. 4

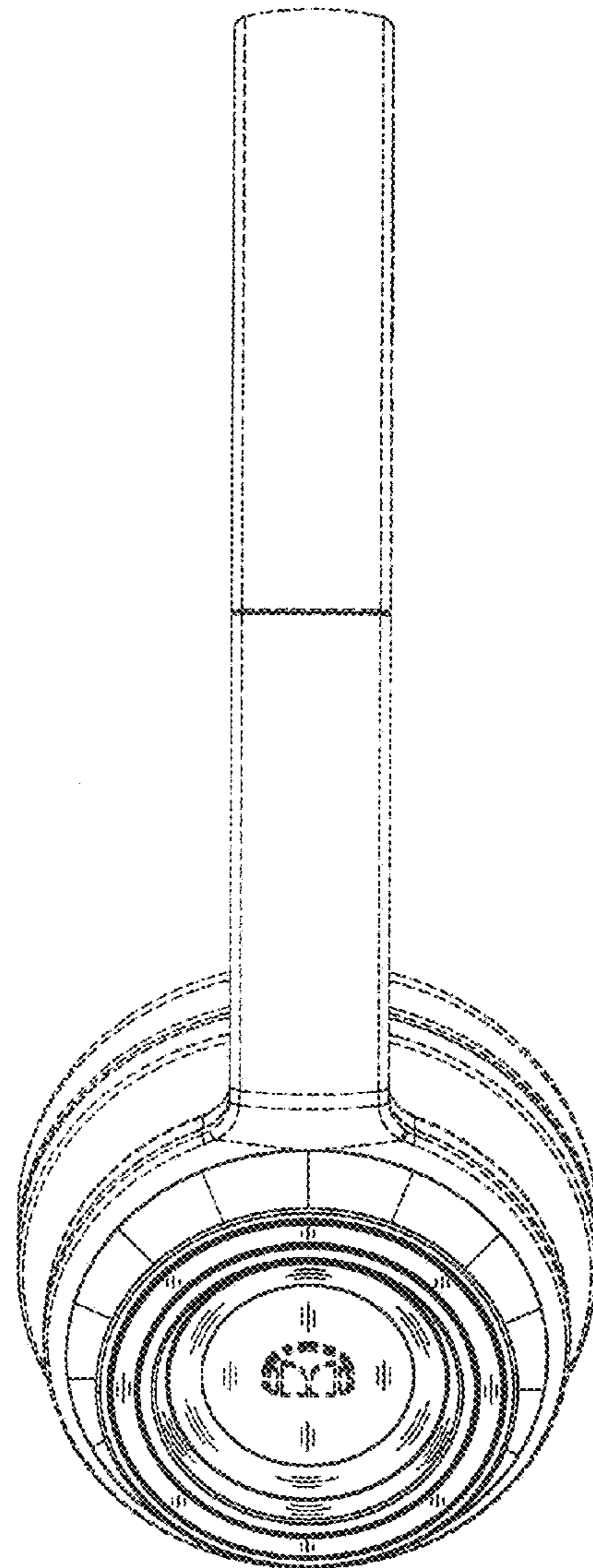


FIG. 5

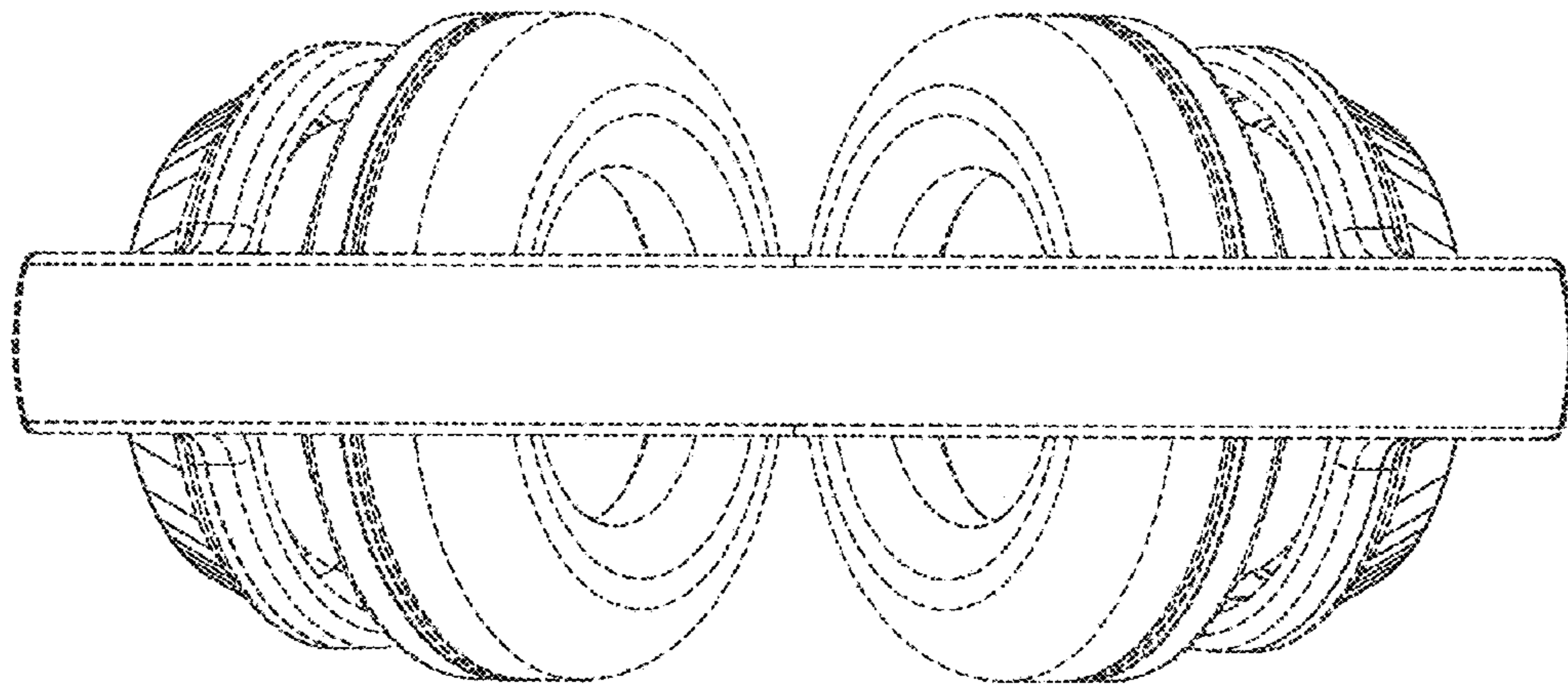


FIG. 6

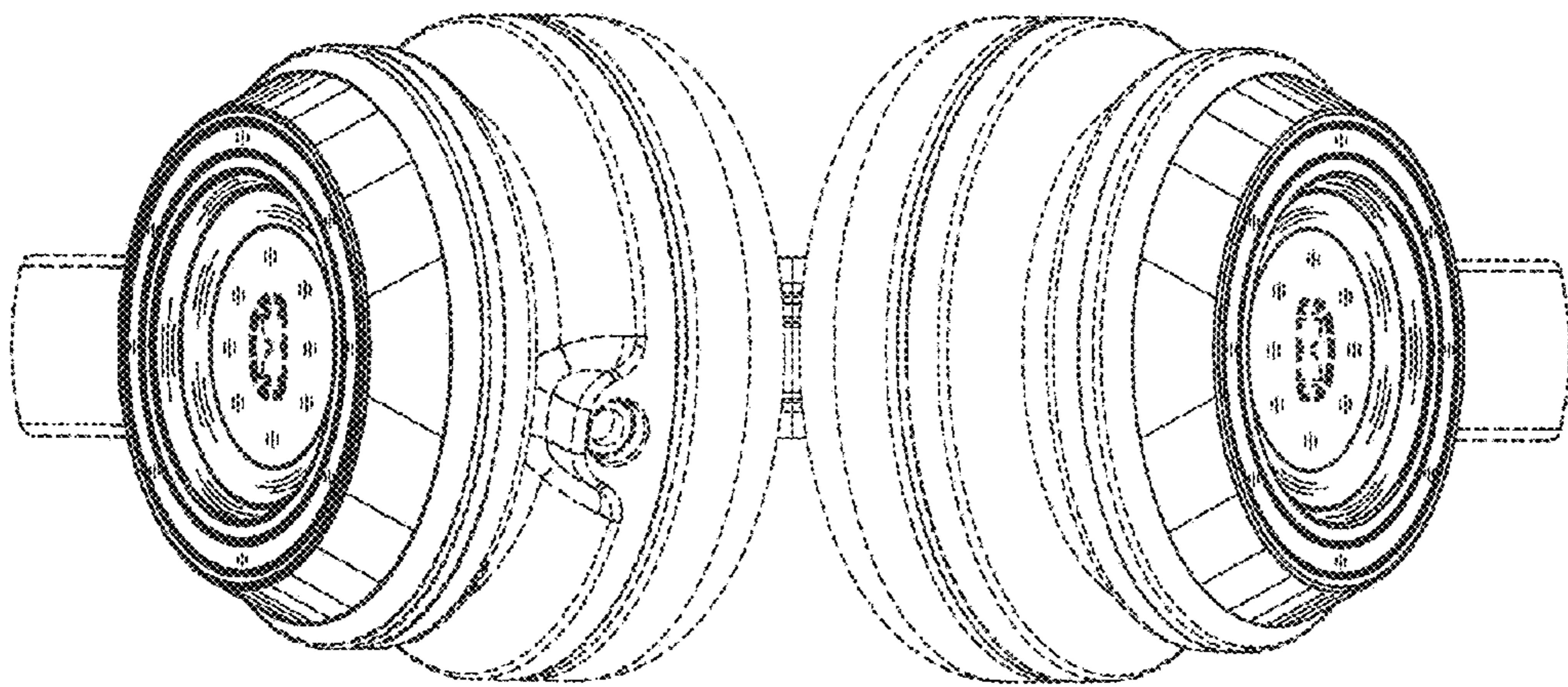


FIG. 7