



US00D696642S

(12) **United States Design Patent**
Jia et al.

(10) **Patent No.:** **US D696,642 S**

(45) **Date of Patent:** **** Dec. 31, 2013**

(54) **INDUSTRIAL PROCESS CONTROL
TRANSMITTER PUCK**

(71) Applicant: **Rosemount Inc.**, Chanhassen, MN (US)

(72) Inventors: **Jinjie Jia**, Beijing (CN); **Dirk Bauschke**, Shakopee, MN (US); **Kirsten Norman**, Chanhassen, MN (US); **Todd Larson**, Shakopee, MN (US)

(73) Assignee: **Rosemount Inc.**, Chanhassen, MN (US)

(**) Term: **14 Years**

(21) Appl. No.: **29/459,537**

(22) Filed: **Jul. 1, 2013**

(51) **LOC (9) Cl.** **14-03**

(52) **U.S. Cl.**
USPC **D14/155**

(58) **Field of Classification Search**
USPC D14/167, 154, 168, 188, 496, 156, 160,
D14/161, 162, 163, 164, 165, 158, 341, 346,
D14/342, 345, 375, 155, 218, 225;
D16/208; D26/38; 455/351, 350,
455/575.1, 556.1; D10/104, 106, 65, 57;
D6/675.1, 672; 312/223.2; D13/112,
D13/114; 73/756; 340/870.01
See application file for complete search history.

(56) **References Cited**

U.S. PATENT DOCUMENTS

D207,401 S * 4/1967 Andrews et al. D13/114
D223,877 S * 6/1972 Glaser D14/155
D348,063 S * 6/1994 Honma et al. D14/155
D371,361 S * 7/1996 Velinsky D14/155
5,564,698 A * 10/1996 Honey et al. 473/570
D398,285 S * 9/1998 Becker et al. D13/114
D425,020 S * 5/2000 Becker et al. D13/114

D574,325 S * 8/2008 Naghshineh D13/114
7,490,516 B2 * 2/2009 Hedtke et al. 73/431
7,528,737 B2 * 5/2009 Hedtke 340/870.01
7,984,652 B2 * 7/2011 Hausler et al. 73/756

OTHER PUBLICATIONS

Product Data Sheet 00813-0100-4825, Rev JA, "Rosemount 248 Temperature Transmitter", Nov. 2010.

Product Data Sheet 00813-0100-4021, Rev LC, "Rosemount 3144P Temperature Transmitter", Mar. 2012.

Product Data Sheet 00813-0100-4728, Rev RD, "Rosemount 644 Temperature Transmitter", Nov. 2010.

* cited by examiner

Primary Examiner — Austin Murphy

(74) *Attorney, Agent, or Firm* — Westman, Champlin & Koehler

(57) **CLAIM**

The ornamental design for an industrial process control transmitter puck, as shown and described.

DESCRIPTION

FIG. 1 is a perspective view of an industrial process control transmitter puck.

FIG. 2 is a right side view of the industrial process control transmitter puck.

FIG. 3 is a left side view of the industrial process control transmitter puck.

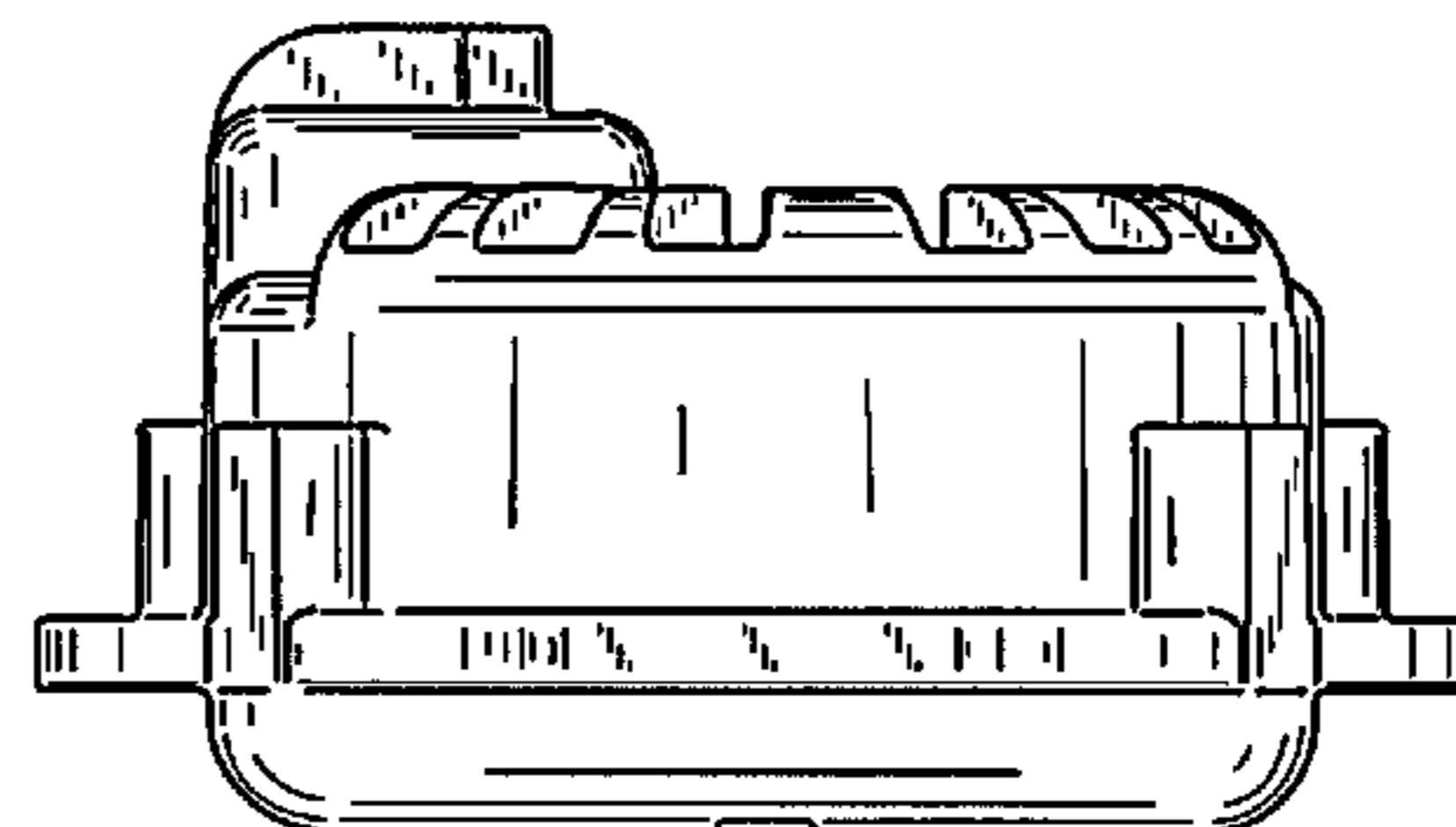
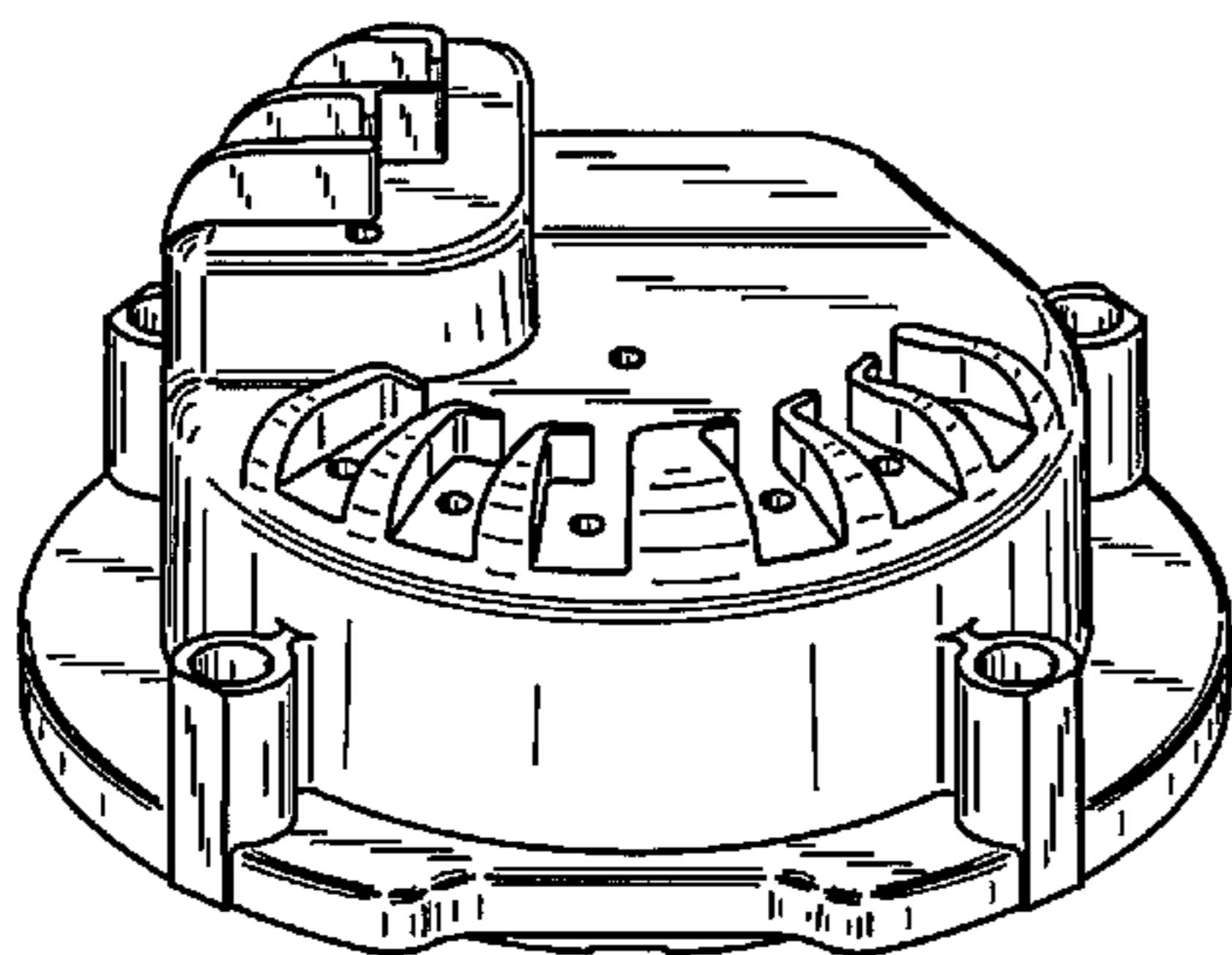
FIG. 4 is a rear elevational view of the industrial process control transmitter puck.

FIG. 5 is a front elevational view of the industrial process control transmitter puck.

FIG. 6 is a top plan view of the industrial process control transmitter puck; and,

FIG. 7 is a bottom view of the industrial process control transmitter puck.

1 Claim, 3 Drawing Sheets



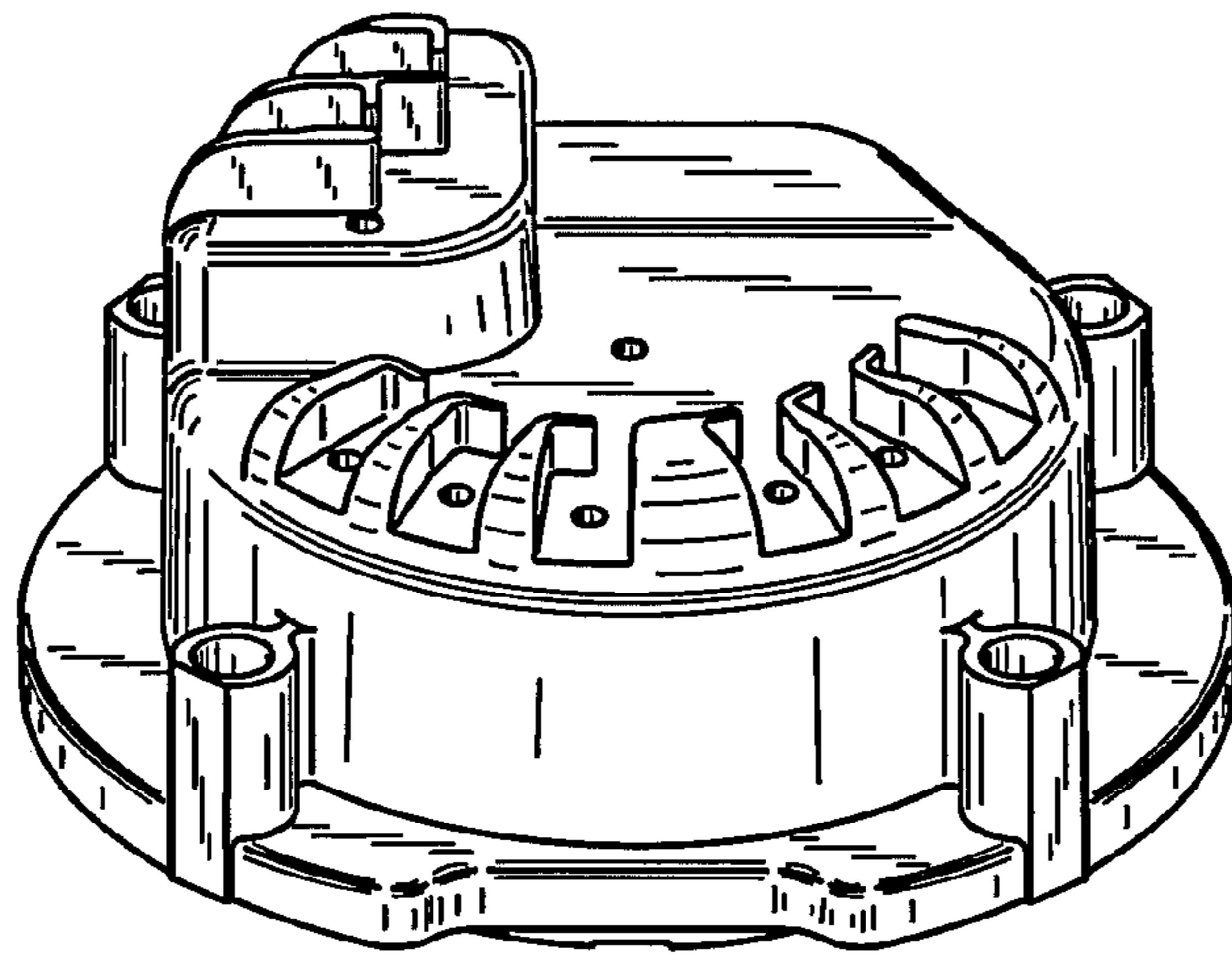


Fig. 1

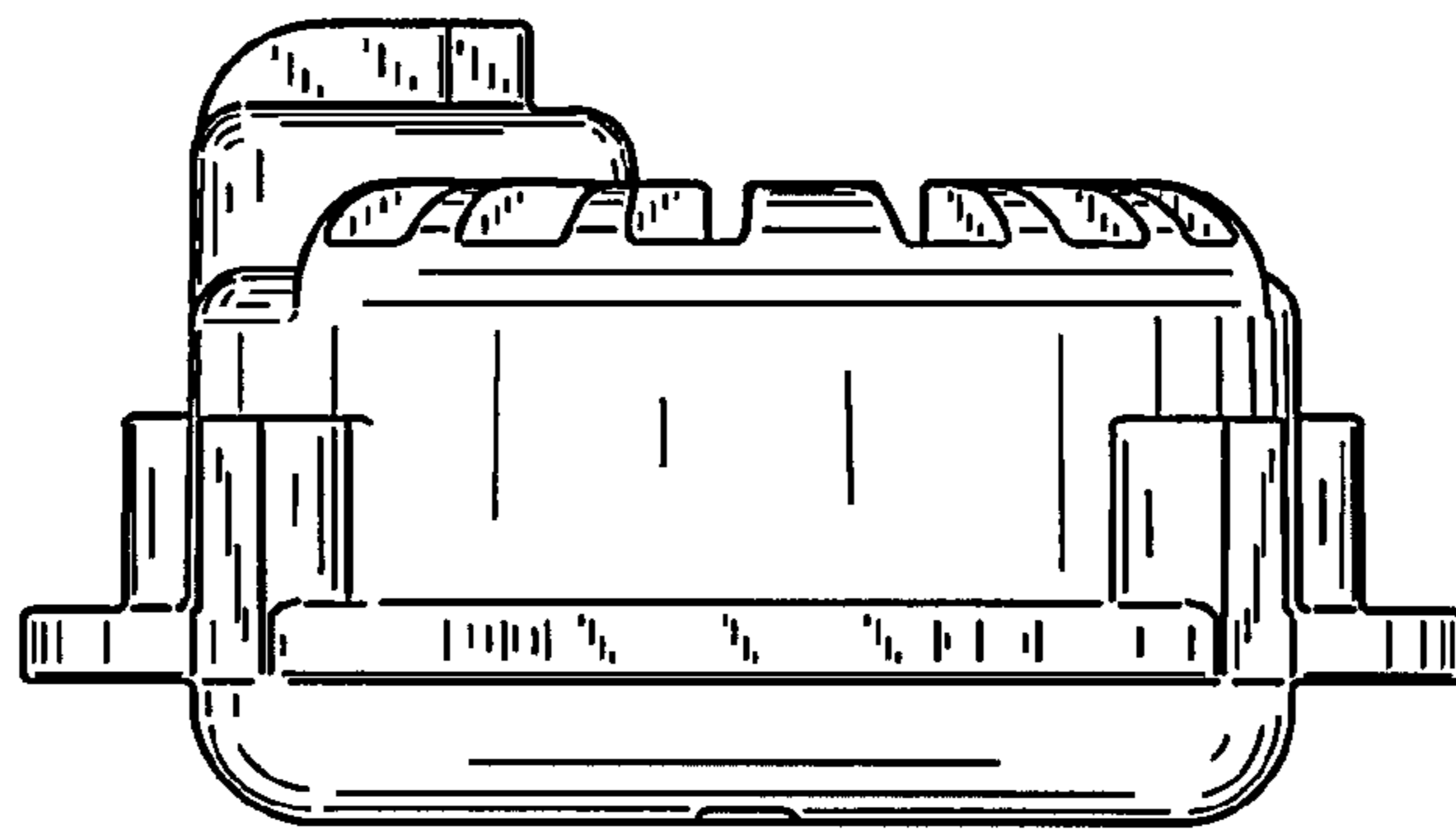


Fig. 2

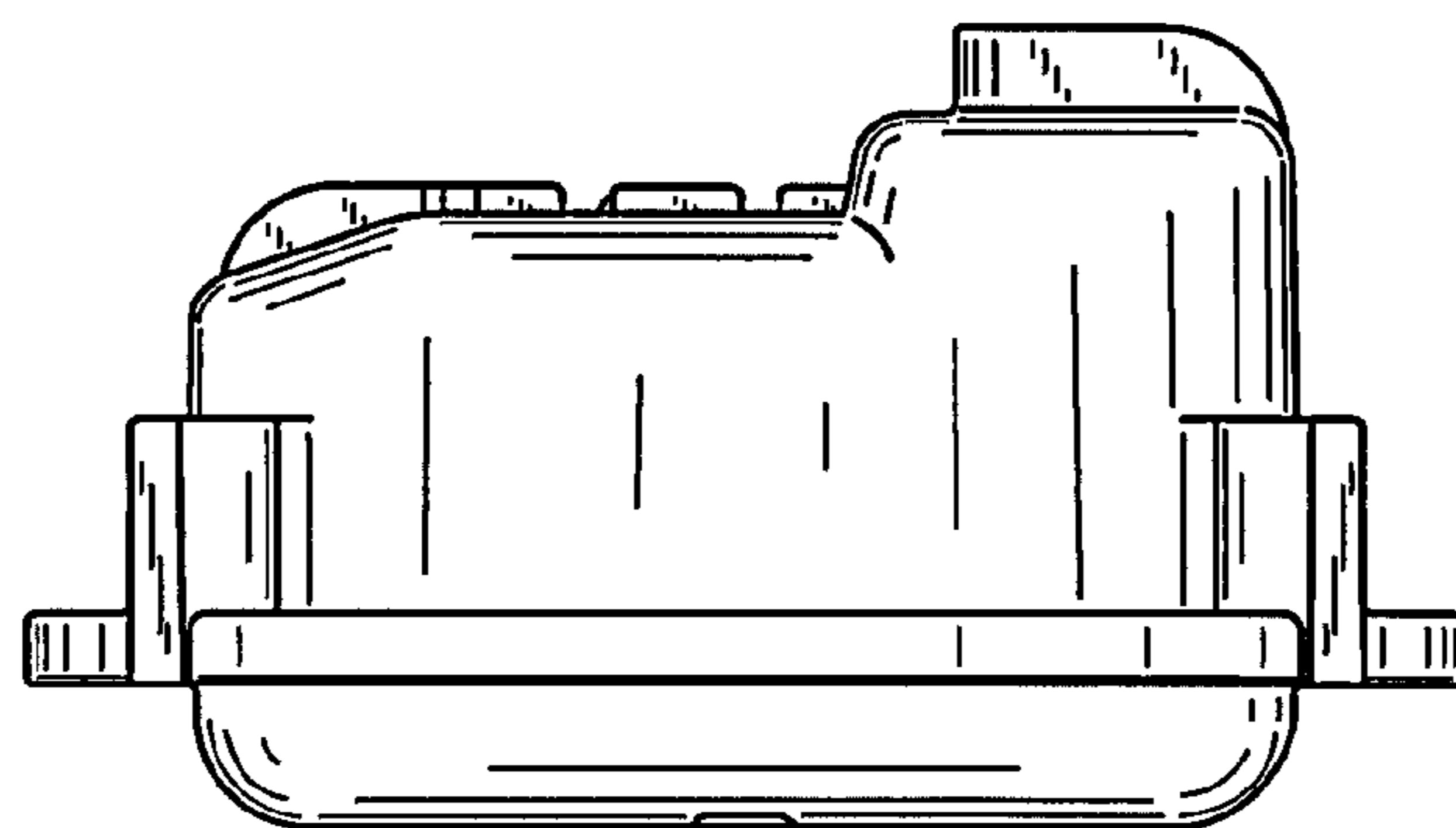


Fig. 3

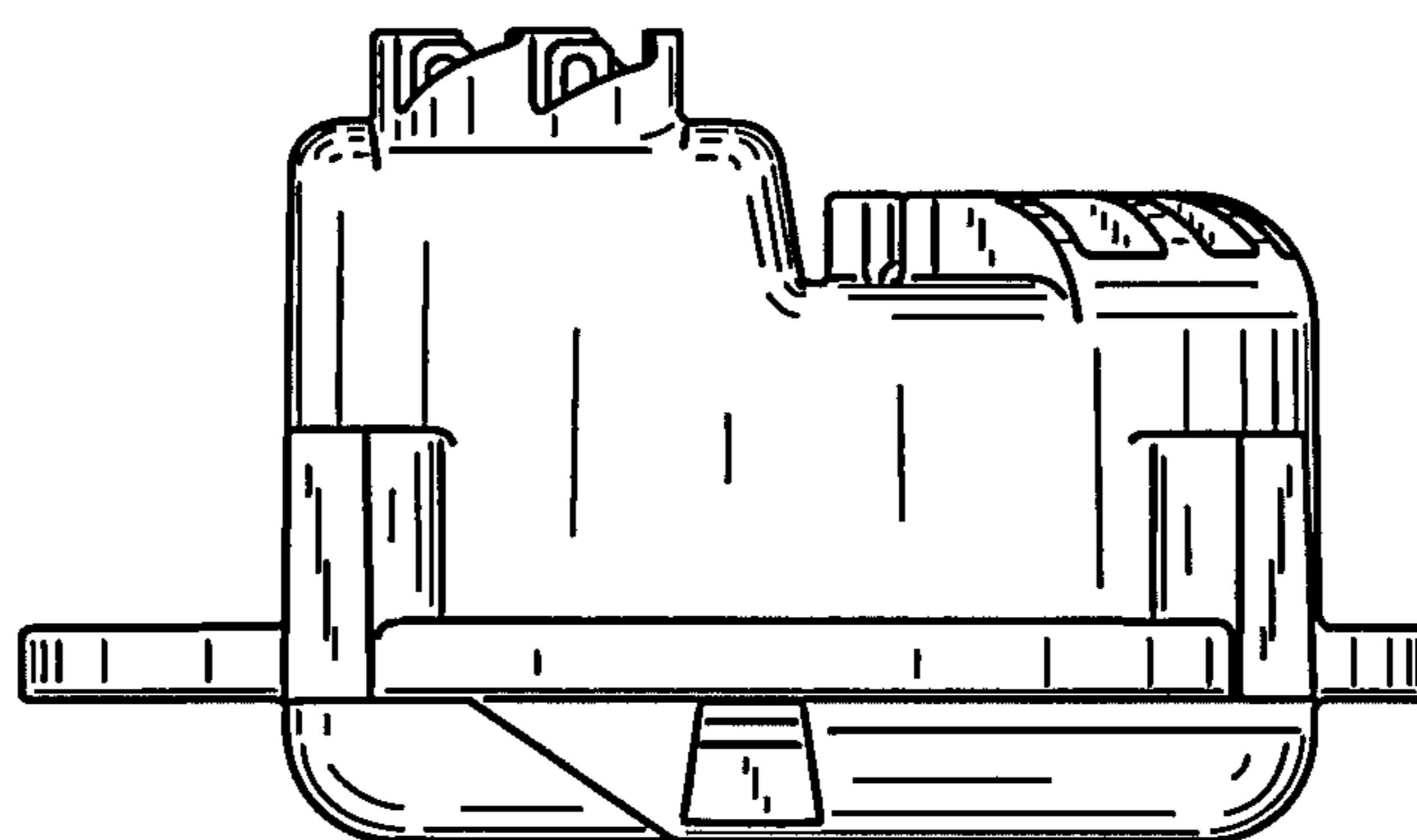


Fig. 4

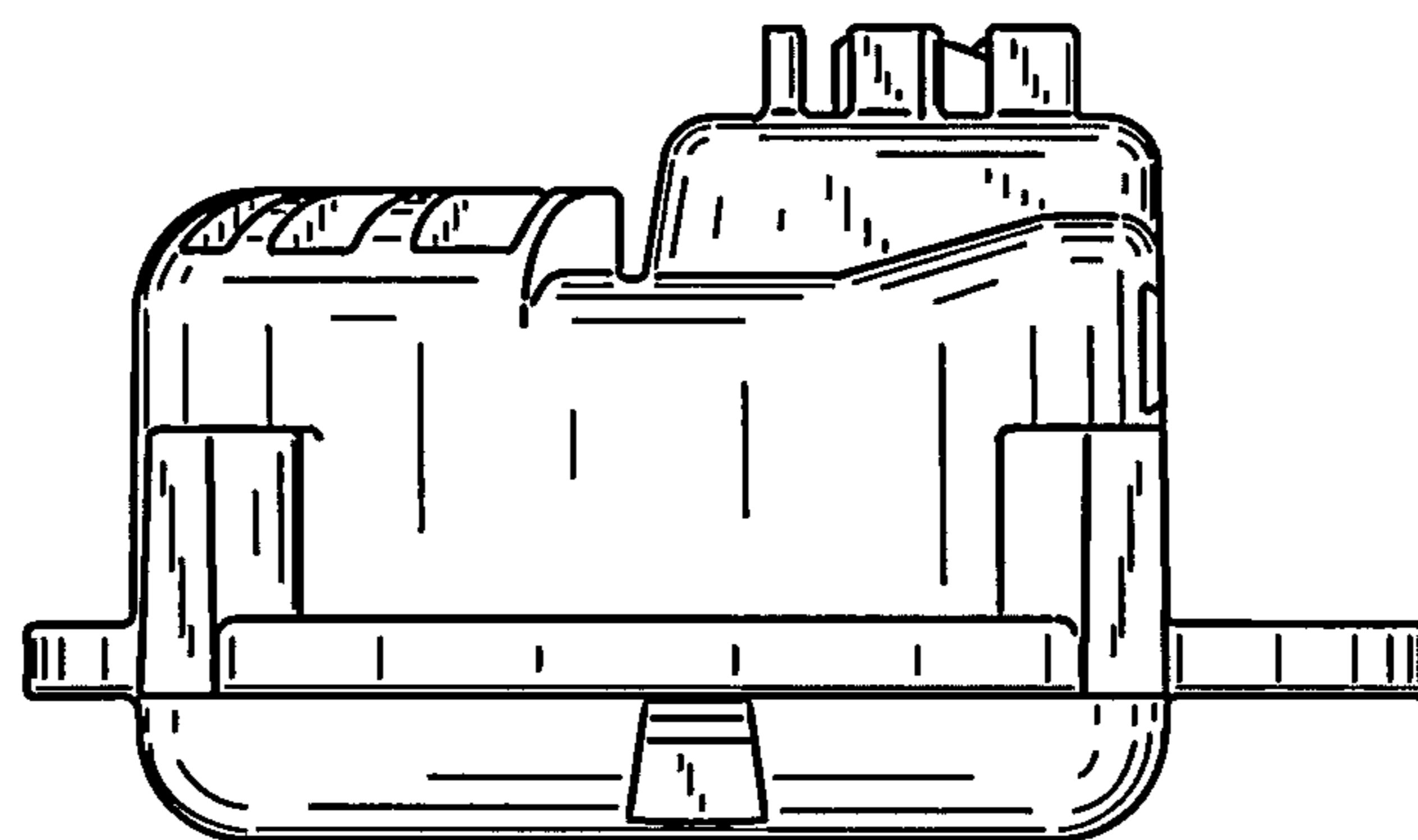


Fig. 5

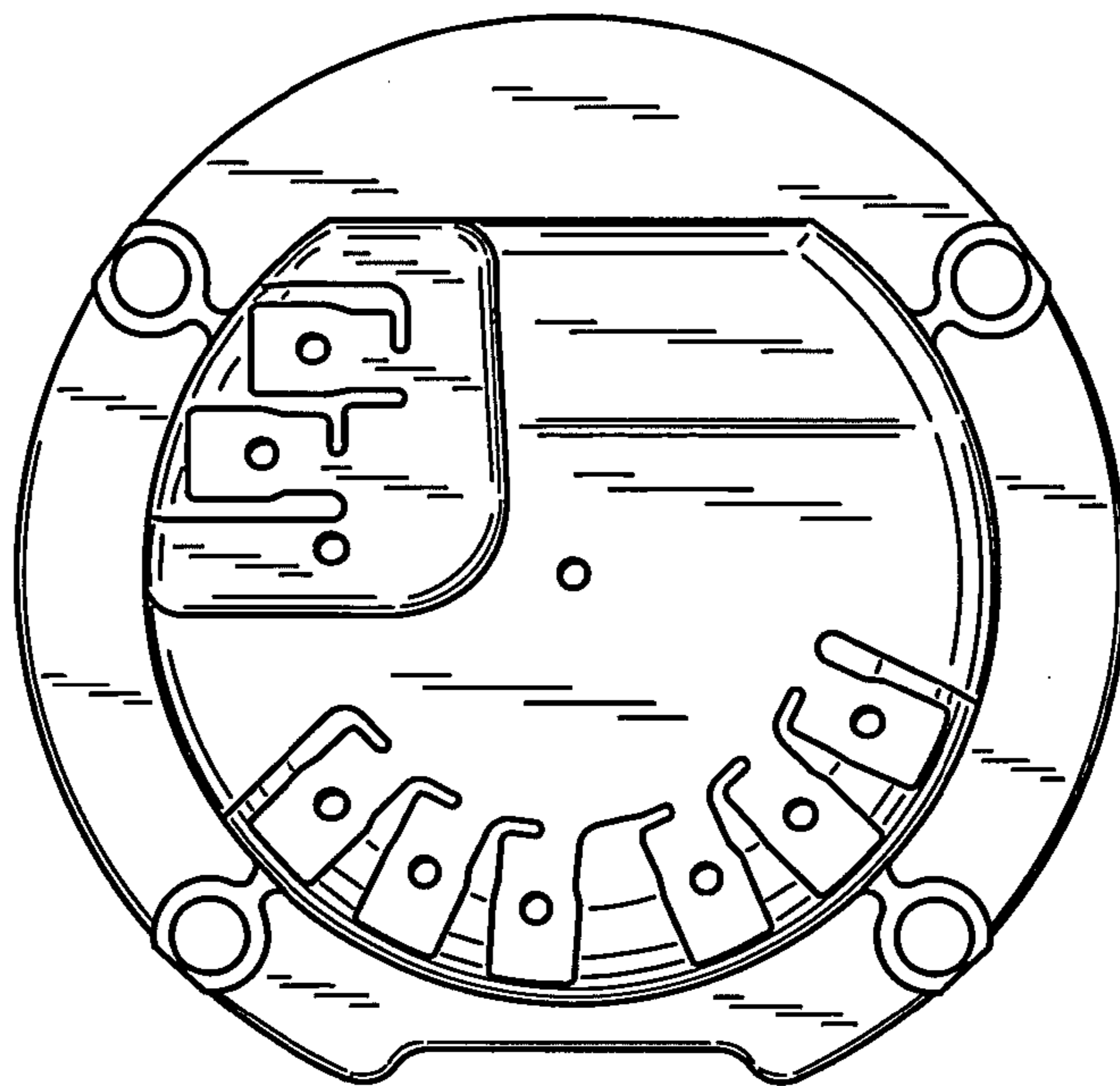


Fig. 6

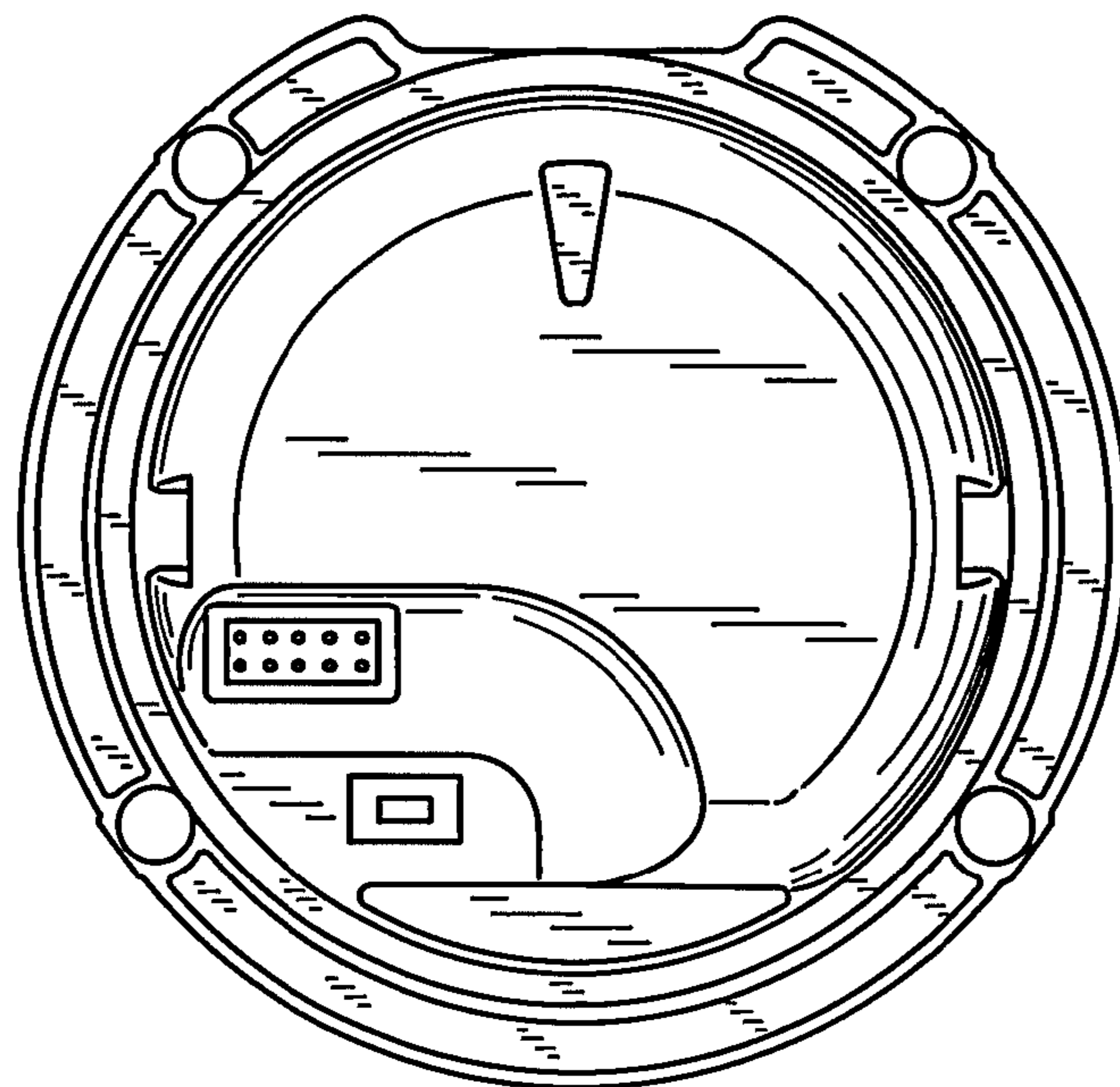


Fig. 7