

US00D696639S

(12) **United States Design Patent**
Ichinose et al.

(10) **Patent No.:** **US D696,639 S**
(45) **Date of Patent:** **** Dec. 31, 2013**

(54) **MOBILE PHONE**

(75) Inventors: **Tomoyoshi Ichinose**, Tokyo (JP);
Masuda Yuzuru, Tokyo (JP);
Yoon-Young Cho, Seoul (KR)

(73) Assignee: **Samsung Electronics Co., Ltd.**,
Suwon-si (KR)

(**) Term: **14 Years**

(21) Appl. No.: **29/398,108**

(22) Filed: **Jul. 26, 2011**

(30) **Foreign Application Priority Data**

Apr. 27, 2011 (KR) 30-2011-0017216

(51) **LOC (9) Cl.** **14-03**

(52) **U.S. Cl.**
USPC **D14/138 G**

(58) **Field of Classification Search**
USPC D14/138 G, 138 AD, 341, 346, 138 R,
D14/138 AA, 496, 203.1, 203.4, 203.7, 248,
D14/218; 455/575.1, 556.2, 575.3, 575.4;
D21/517; 379/433.01, 433.04, 433.12,
379/433.13; D10/65, 78, 104; D13/168

See application file for complete search history.

(56) **References Cited**

U.S. PATENT DOCUMENTS

D558,756 S * 1/2008 Andre et al. D14/341
D580,387 S * 11/2008 Andre et al. D14/138 G
D600,241 S * 9/2009 Andre et al. D14/341
D610,568 S * 2/2010 Yu D14/203.7
D619,555 S * 7/2010 Yang et al. D14/138 G
D629,799 S * 12/2010 Andre et al. D14/341
D645,013 S * 9/2011 Lee et al. D14/138 AB

D645,014 S * 9/2011 Chung D14/138 G
D645,017 S * 9/2011 Kim et al. D14/138 G
D648,693 S * 11/2011 Kim et al. D14/138 AD
D652,008 S * 1/2012 Kim et al. D14/138 G
D652,813 S * 1/2012 Song et al. D14/138 G
D653,640 S * 2/2012 Kwon et al. D14/138 G
D654,048 S * 2/2012 Ichinose et al. D14/138 G
D654,452 S * 2/2012 Son D14/138 G
D656,918 S * 4/2012 Kim et al. D14/138 G
D658,617 S * 5/2012 Koh D14/138 AD
D660,274 S * 5/2012 Lee D14/138 G
D662,489 S * 6/2012 Yeo D14/203.7

(Continued)

OTHER PUBLICATIONS

Samsung Galaxy Ace S5830 telephone, announced Jan. 2011,
[online]. [site visited Dec. 13, 2012]. Available from Internet, <URL:
http://www.gsmarena.com/samsung_galaxy_ace_s5830-3724.php>.*

(Continued)

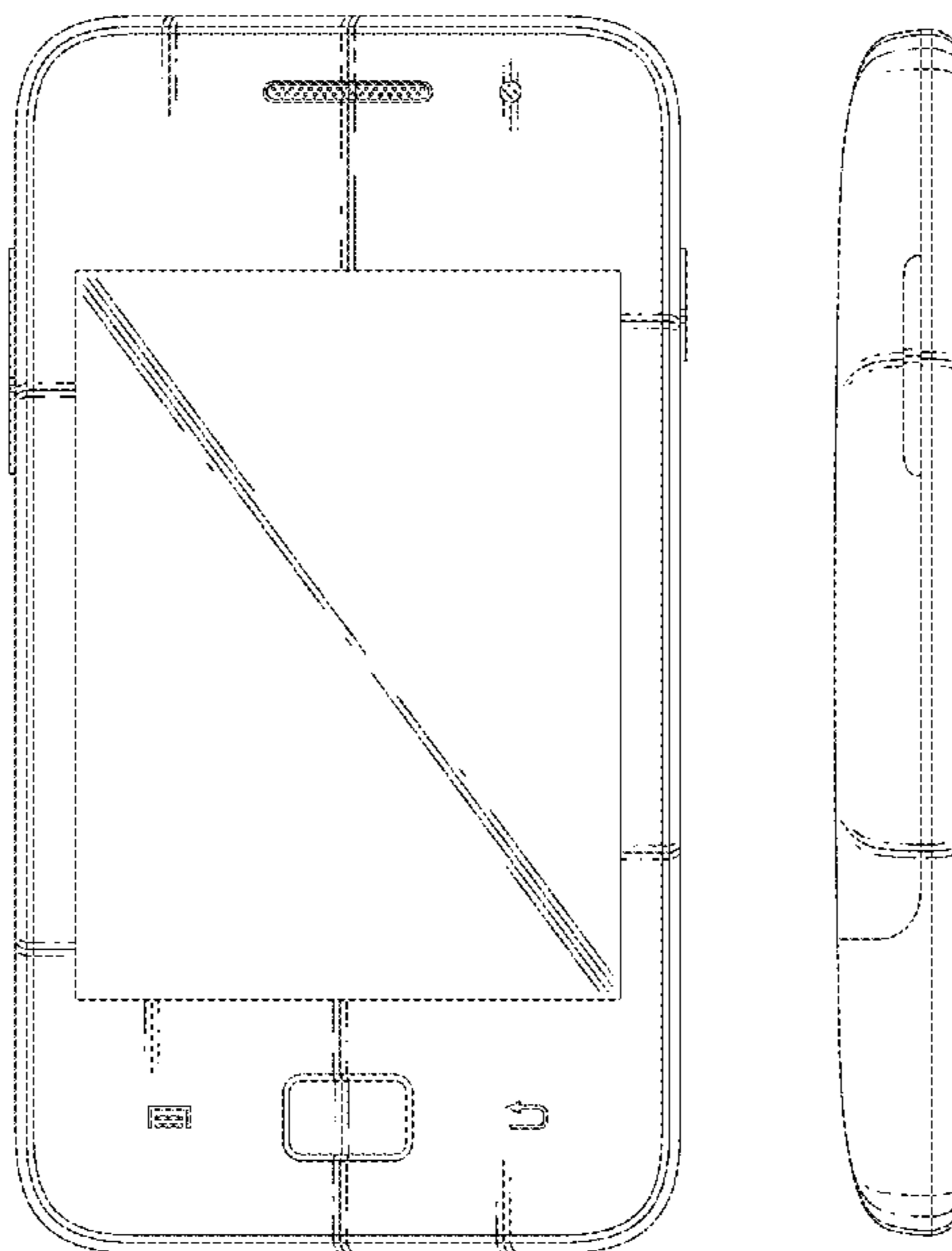
Primary Examiner — Jeffrey D Asch
(74) *Attorney, Agent, or Firm* — NSIP Law

(57) **CLAIM**
The ornamental design for a mobile phone, as shown and
described.

DESCRIPTION

FIG. 1 is a perspective view of a mobile phone;
FIG. 2 is a front view of the mobile phone of FIG. 1;
FIG. 3 is a rear view of the mobile phone of FIG. 1;
FIG. 4 is a left-side view of the mobile phone of FIG. 1;
FIG. 5 is a right-side view of the mobile phone of FIG. 1;
FIG. 6 is a top plan view of the mobile phone of FIG. 1; and,
FIG. 7 is a bottom plan view of the mobile phone of FIG. 1.

1 Claim, 5 Drawing Sheets



(56)

References Cited

U.S. PATENT DOCUMENTS

D663,287	S	*	7/2012	Kim et al.	D14/218
D668,629	S	*	10/2012	Chung	D14/138 G
D669,054	S	*	10/2012	Han	D14/138 G
D669,446	S	*	10/2012	Cho	D14/138 G
D669,448	S	*	10/2012	Hong	D14/138 G
D671,089	S	*	11/2012	Joung et al.	D14/138 G

OTHER PUBLICATIONS

Samsung I909 Galaxy S telephone, announced Sep. 2010, [online], [site visited Dec. 13, 2012]. Available from Internet, <URL: http://www.gsmarena.com/samsung_i909_galaxy_s-3487.php>.*
 Samsung Galaxy Y S5360 telephone, announced Aug. 2011, [online], [site visited Dec. 13, 2012]. Available from Internet, <URL: http://www.gsmarena.com/samsung_galaxy_y_s5360-4117.php>.*

Samsung Galaxy Y TV S5367 telephone, announced 2011, [online], [site visited Dec. 13, 2012]. Available from Internet, <URL: http://www.gsmarena.com/samsung_galaxy_y_tv_s5367-4694.php>.*
 Samsung Star 3 Duos S5222 telephone, announced Jan. 2012, [online], [site visited Dec. 13, 2012]. Available from Internet, <URL: http://www.gsmarena.com/samsung_star_3_duos_s5222-4447.php>.*
 Samsung Galaxy Ace Duos I589 telephone, announced Feb. 2012, [online], [site visited Dec. 13, 2012]. Available from Internet, <URL: http://www.gsmarena.com/samsung_galaxy_ace_duos_i589-4548.php>.*
 Samsung Galaxy Ace Duos S6802 telephone, announced May 2012, [online], [site visited Dec. 13, 2012]. Available from Internet, <URL: http://www.gsmarena.com/samsung_galaxy_ace_duos_s6802-4777.php>.*
 T-Mobile Energy telephone, announced 2011, [online], [site visited Dec. 13, 2012]. Available from Internet, <URL: http://www.gsmarena.com/t_mobile_energy-4624.php>.*

* cited by examiner

FIG. 1

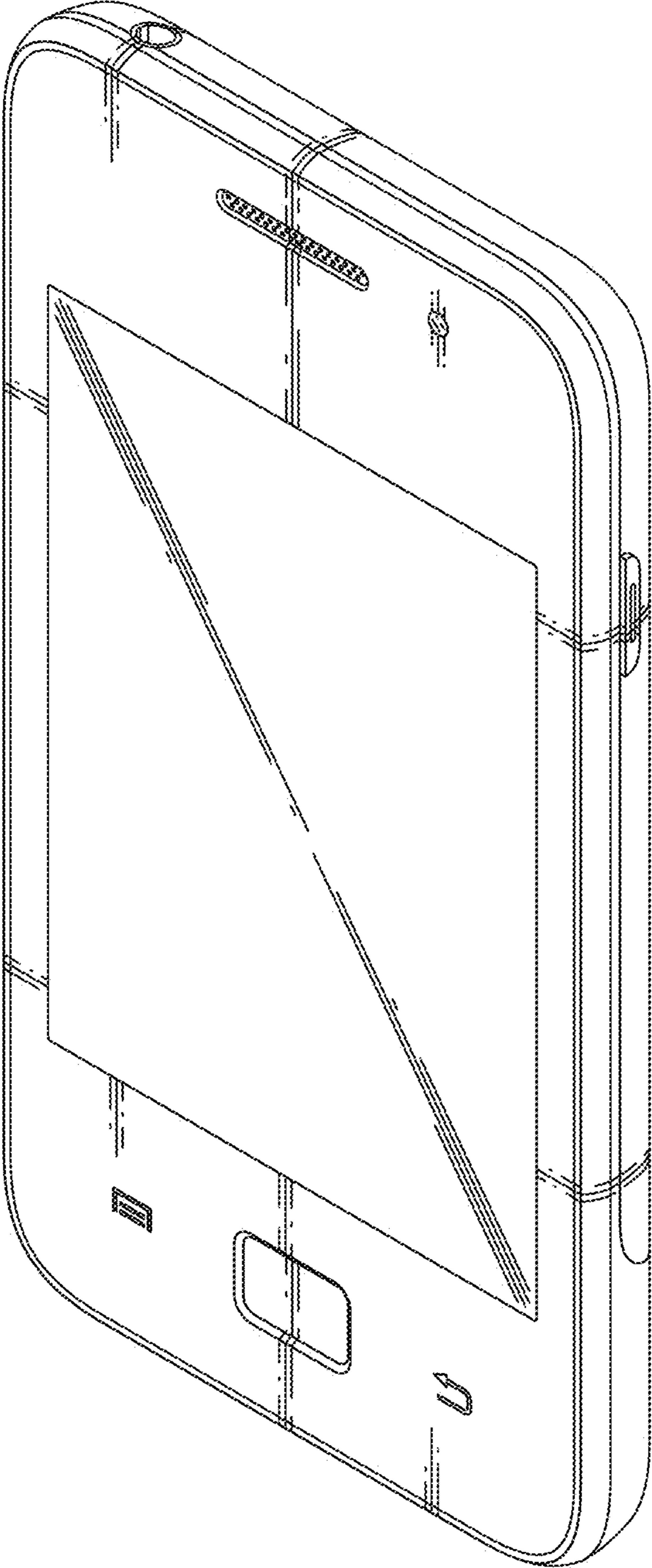


FIG. 2

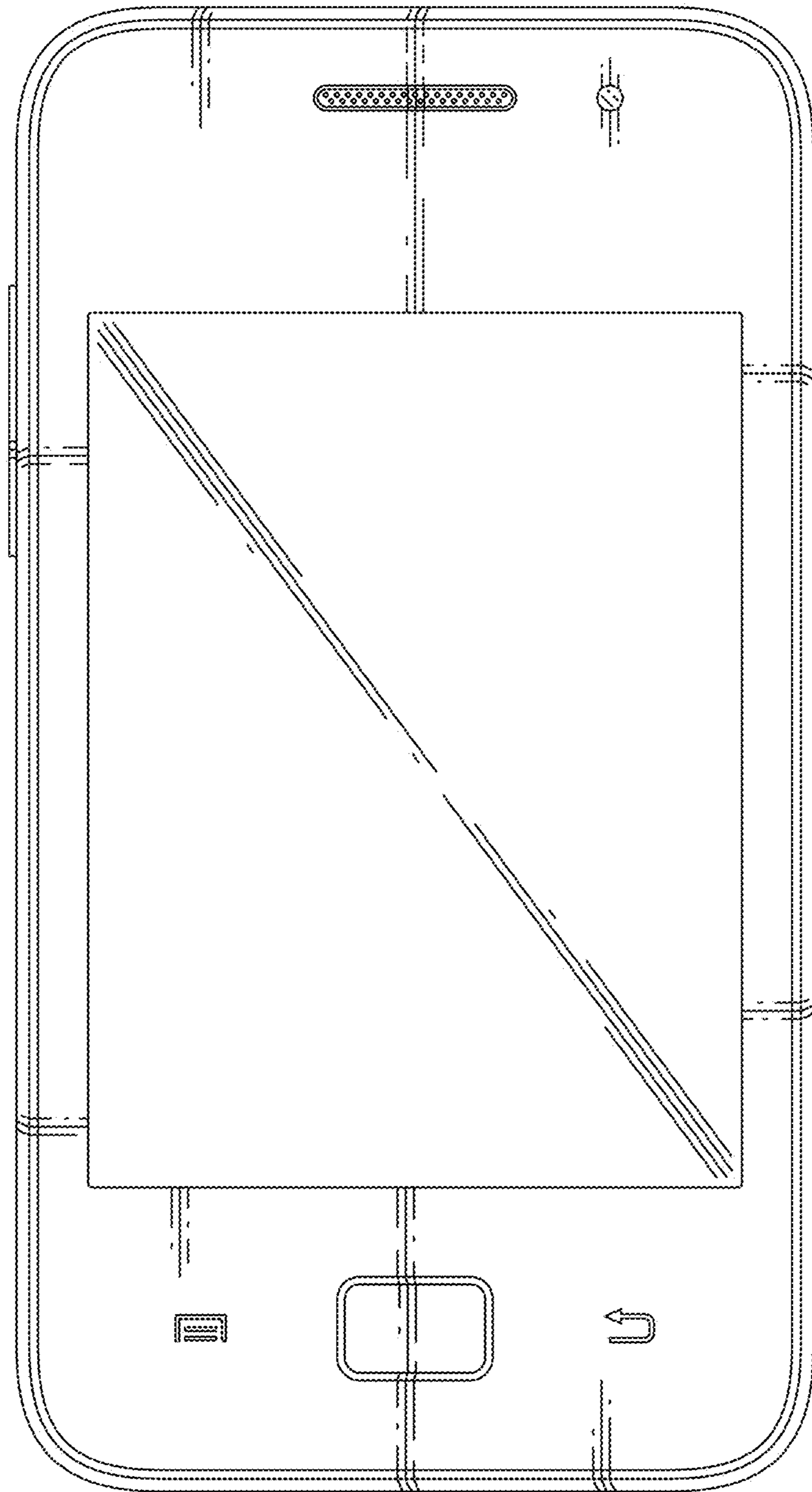


FIG. 3

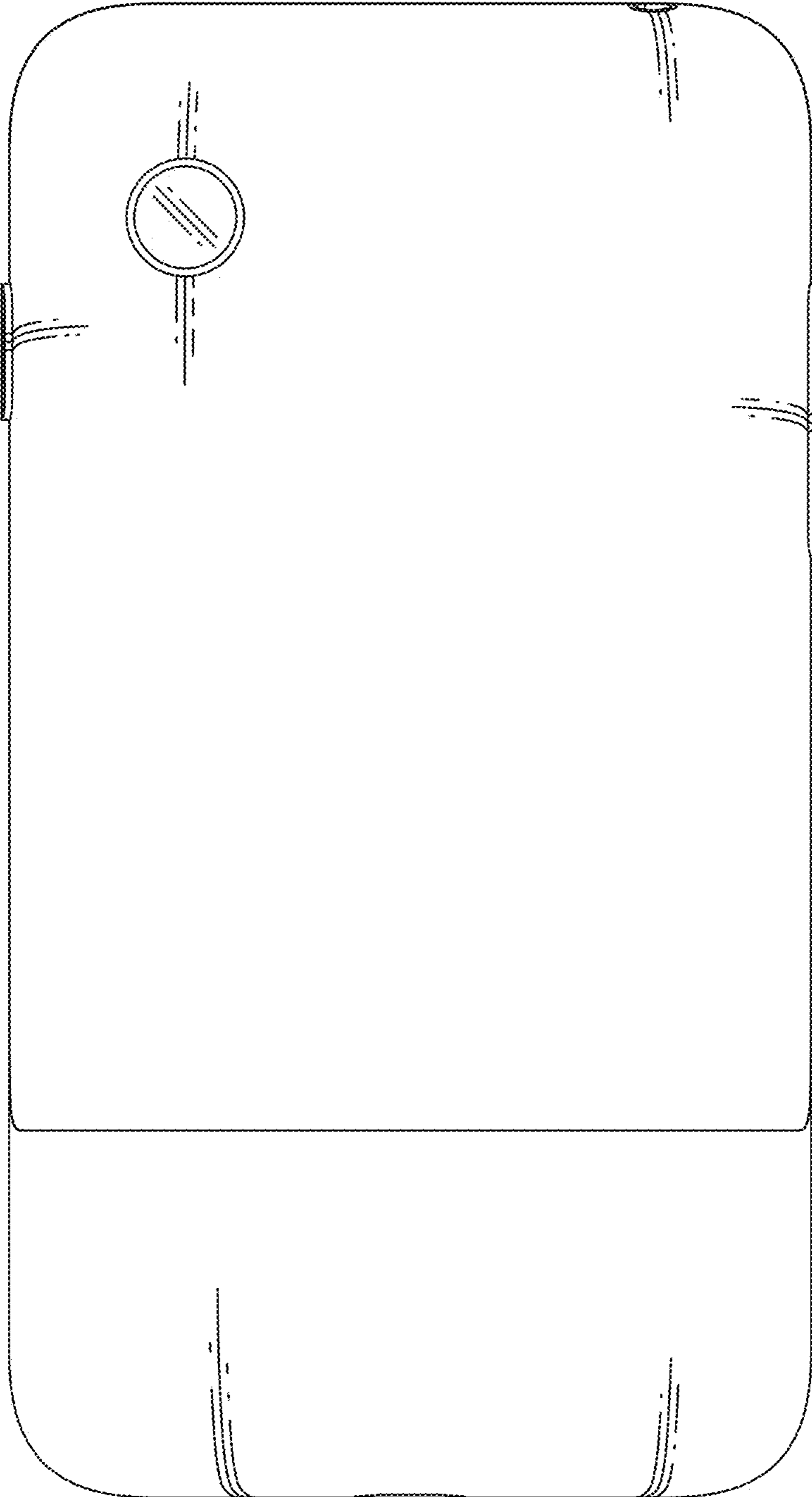


FIG. 4

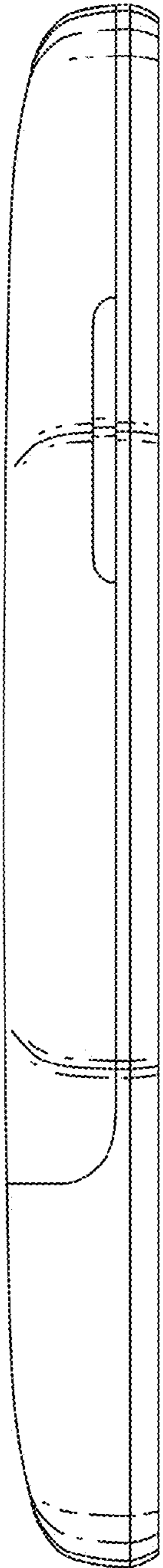


FIG. 5

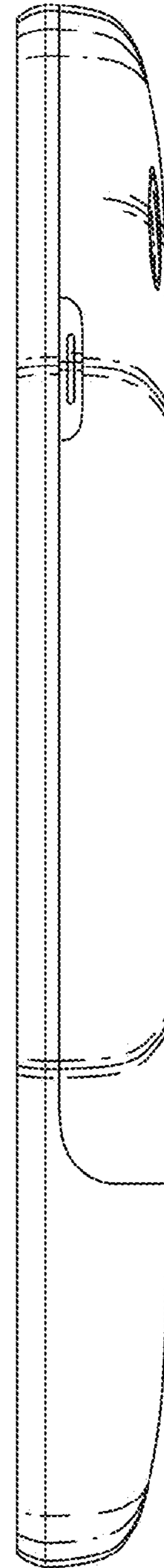


FIG. 6

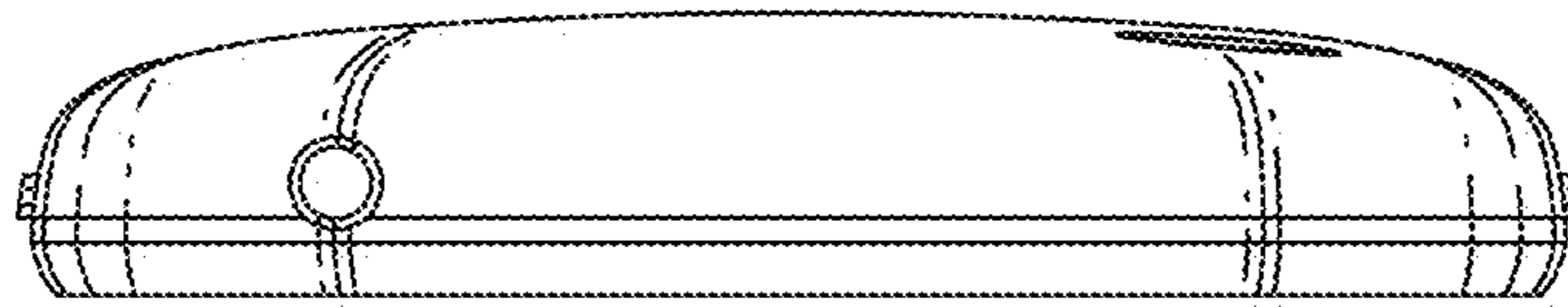


FIG. 7

