



US00D696638S

(12) **United States Design Patent**
Kim et al.

(10) **Patent No.:** **US D696,638 S**

(45) **Date of Patent:** **** Dec. 31, 2013**

(54) **MAGNETIC CONNECTOR ELECTRODE
TERMINAL MODULE**

(71) Applicant: **SPS Inc.**, Daejeon (KR)
(72) Inventors: **Hyun Jun Kim**, Daejeon (KR);
Dae-Young Youn, Seoul (KR);
Jung-Gyo Kim, Daejeon (KR)

(73) Assignee: **SPS Inc.**, Daejeon (KR)

(**) Term: **14 Years**

(21) Appl. No.: **29/452,926**

(22) Filed: **Apr. 23, 2013**

(30) **Foreign Application Priority Data**

Feb. 18, 2013 (KR) 30-2013-0008361

(51) **LOC (9) Cl.** **13-99**

(52) **U.S. Cl.**
USPC **D13/183**

(58) **Field of Classification Search**
USPC D13/183, 101, 119, 120, 121, 133, 165,
D13/179, 180, 182, 199; 200/11 B, 11 D, 12;
204/155, 157.22; 307/401, 406, 415,
307/416

See application file for complete search history.

(56) **References Cited**

U.S. PATENT DOCUMENTS

D211,022 S *	5/1968	Kahn	D13/183
D214,379 S *	6/1969	Knoll et al.	D13/119
4,423,918 A *	1/1984	Filreis et al.	439/412
D363,702 S *	10/1995	McFadden	D13/183
D387,730 S *	12/1997	McCarthy	D13/133
D494,551 S *	8/2004	Doba	D13/182
D517,947 S *	3/2006	Hollingworth et al.	D11/220
D520,041 S *	5/2006	Wheat	D15/199
D522,966 S *	6/2006	Suzuki et al.	D13/121
D557,226 S *	12/2007	Uchino et al.	D13/182
D619,092 S *	7/2010	Eilertsen et al.	D13/120
D650,334 S *	12/2011	Matsuoka	D13/133

* cited by examiner

Primary Examiner — Derrick Holland

(74) *Attorney, Agent, or Firm* — The Webb Law Firm

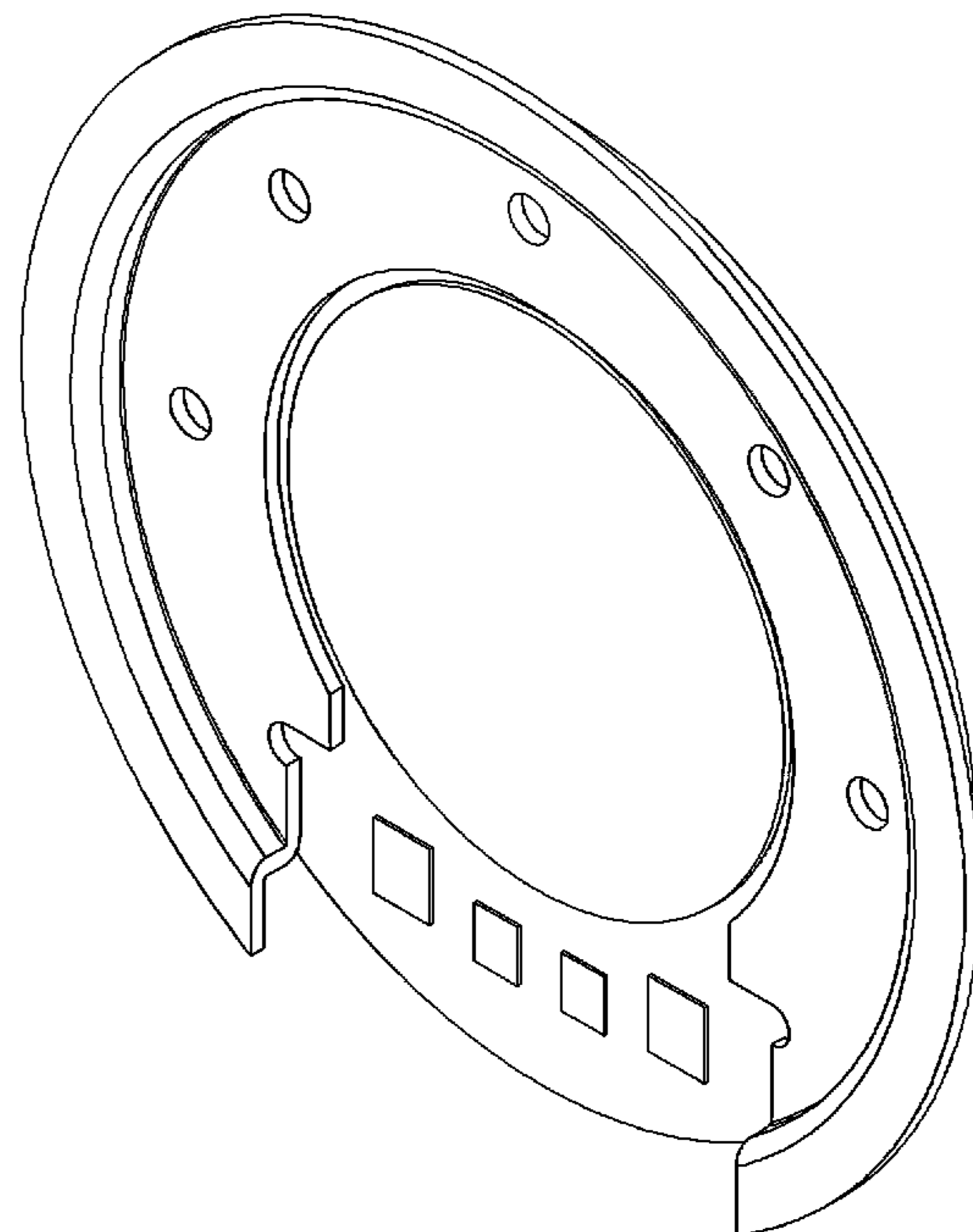
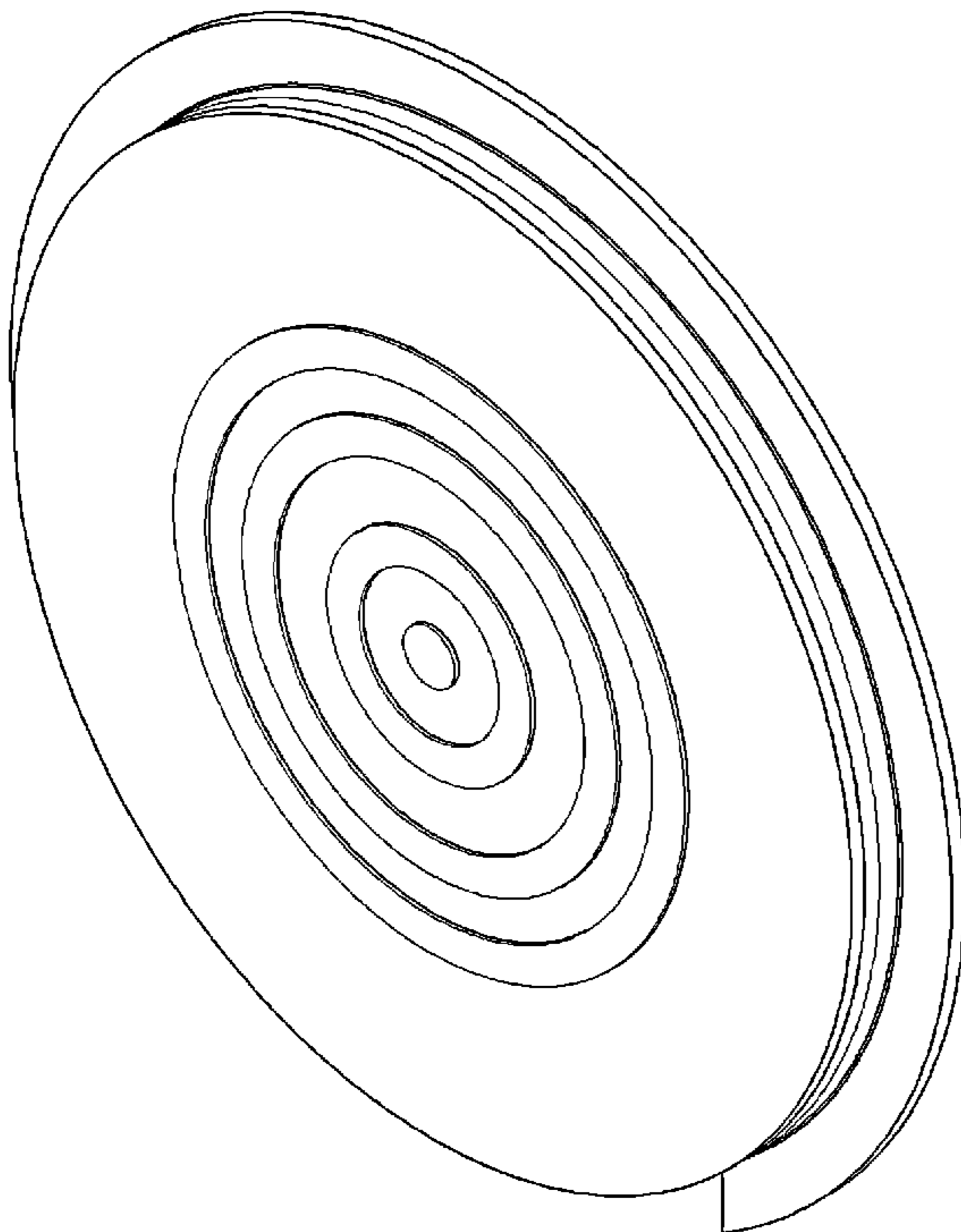
(57) **CLAIM**

The ornamental design for a magnetic connector electrode terminal module, as shown and described.

DESCRIPTION

FIG. 1 is a front view of a magnetic connector electrode terminal module showing our new design;
FIG. 2 is a rear view thereof;
FIG. 3 is a left side view thereof;
FIG. 4 is a right side view thereof;
FIG. 5 is a top view thereof;
FIG. 6 is a bottom view thereof;
FIG. 7 is an upper front perspective view thereof; and,
FIG. 8 is an upper rear perspective view thereof.

1 Claim, 6 Drawing Sheets



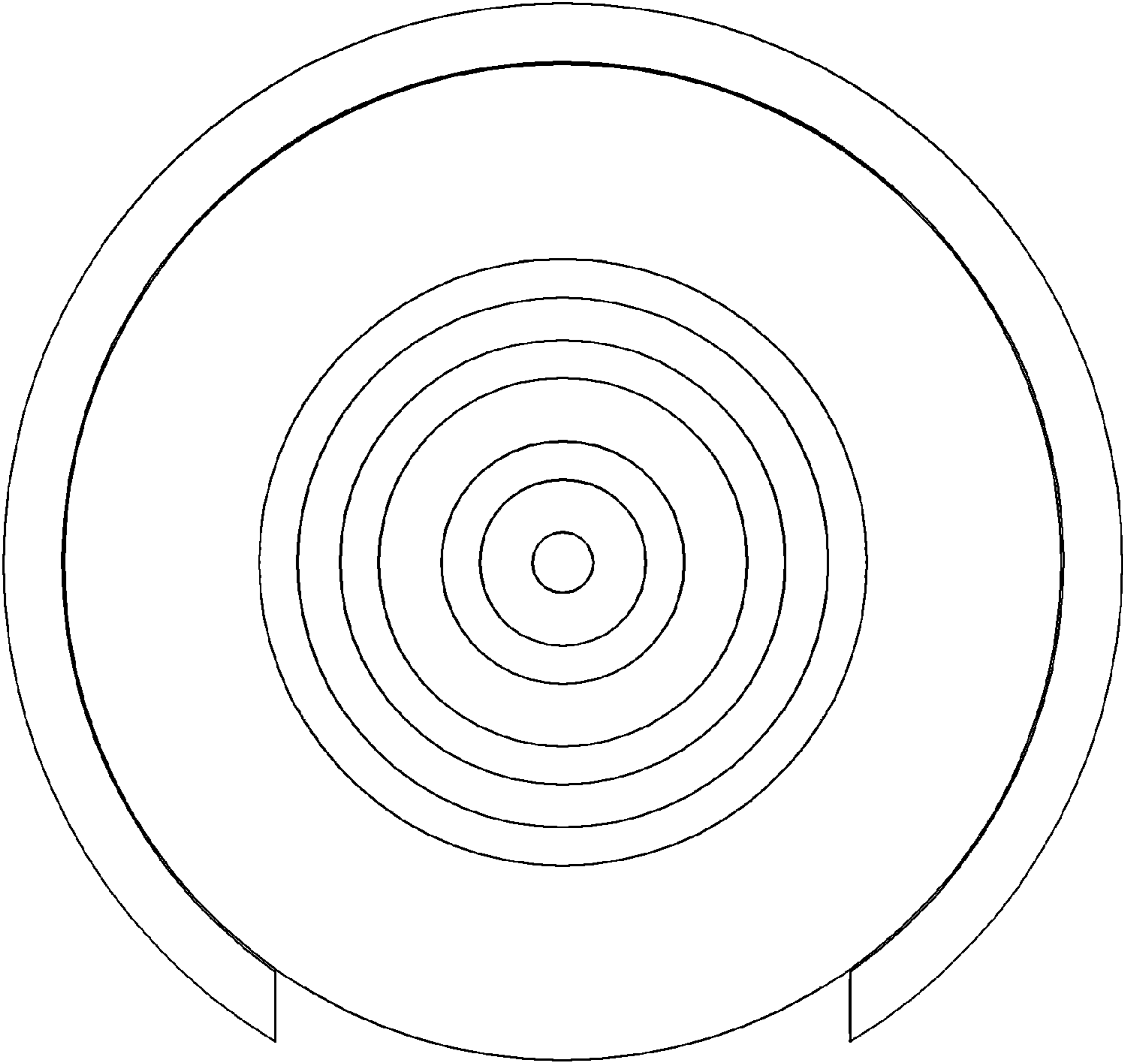


FIG. 1

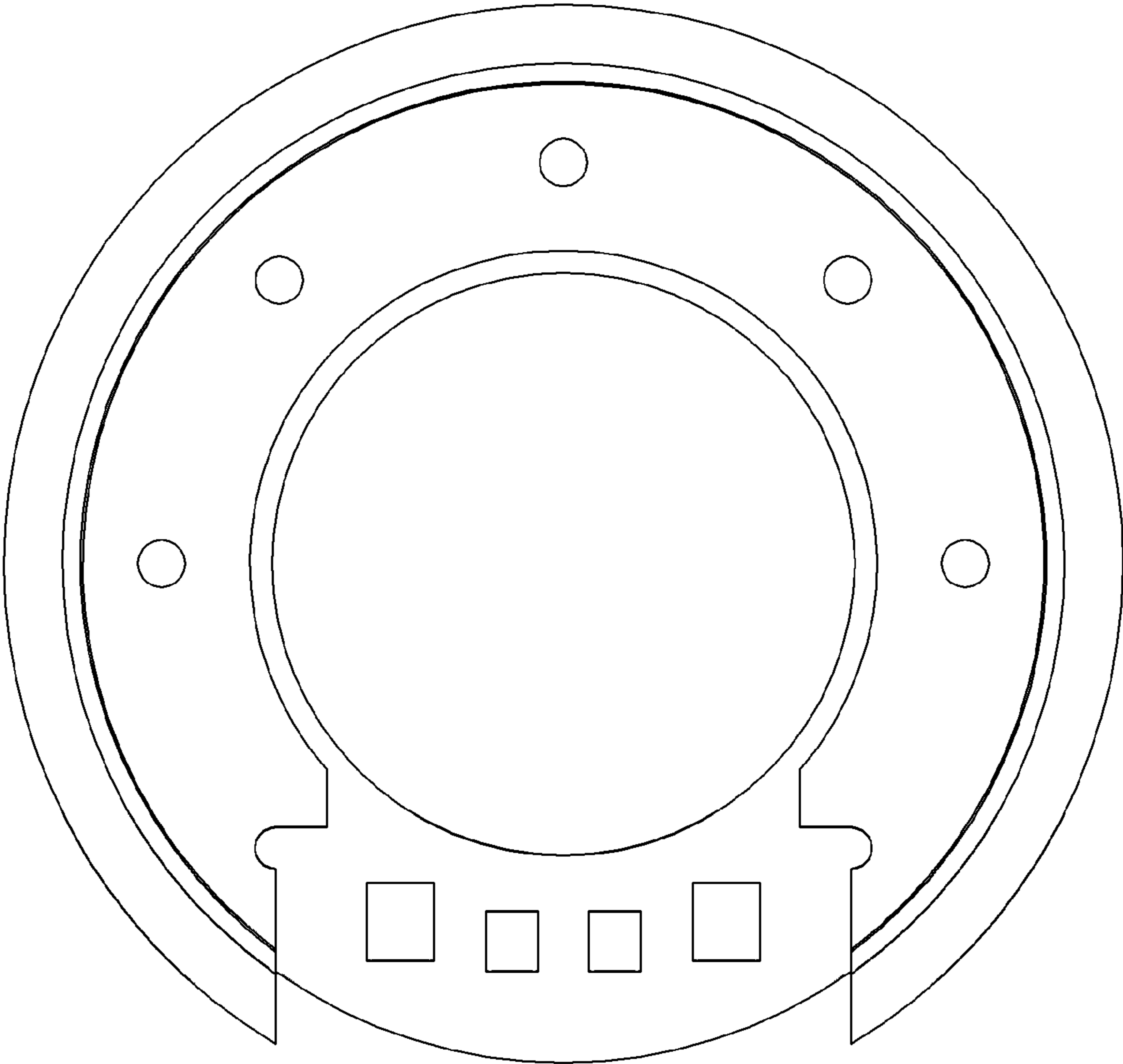


FIG. 2

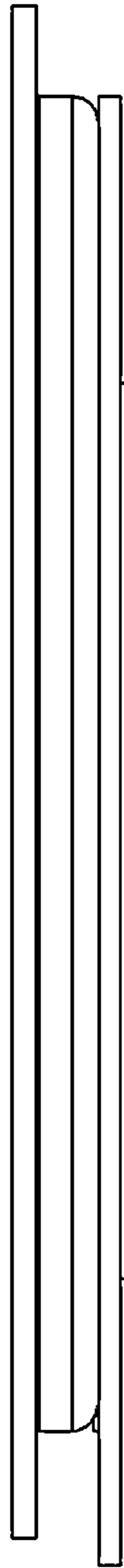


FIG. 3

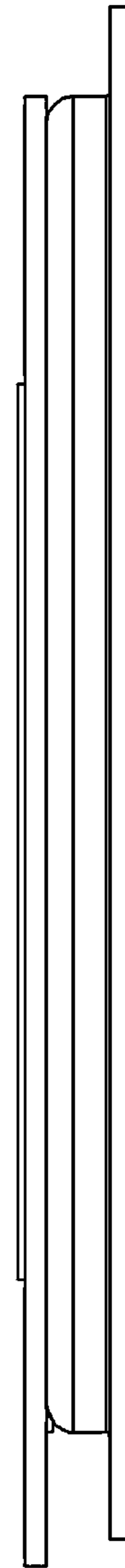


FIG. 4

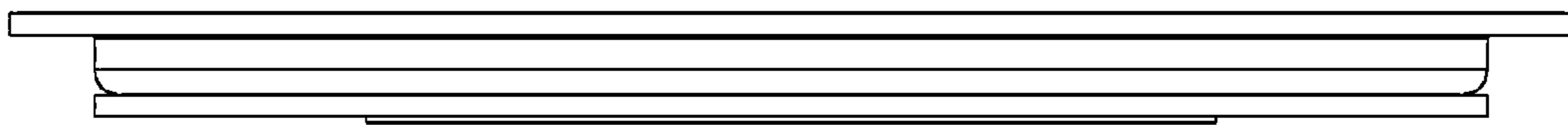


FIG. 5



FIG. 6

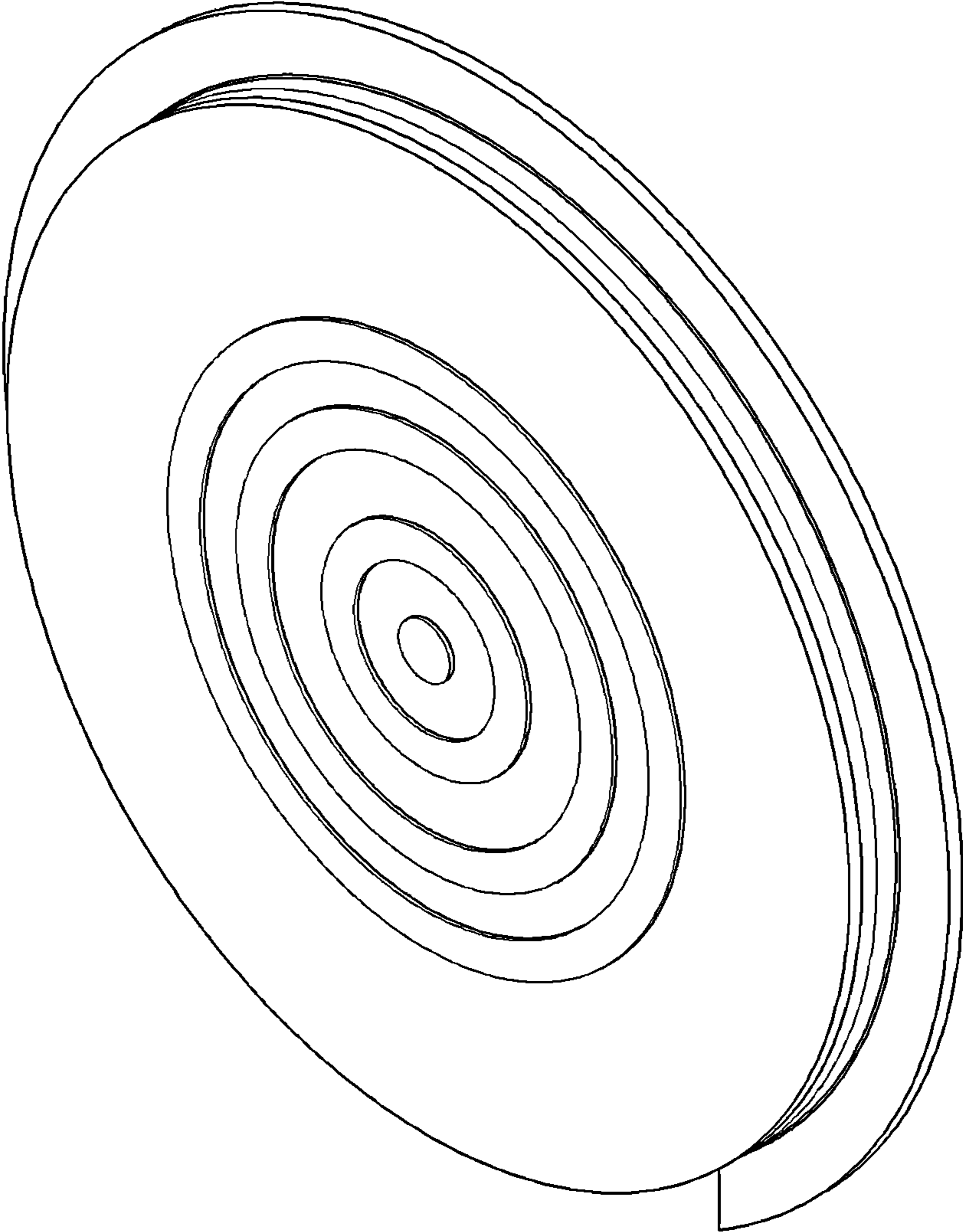


FIG. 7

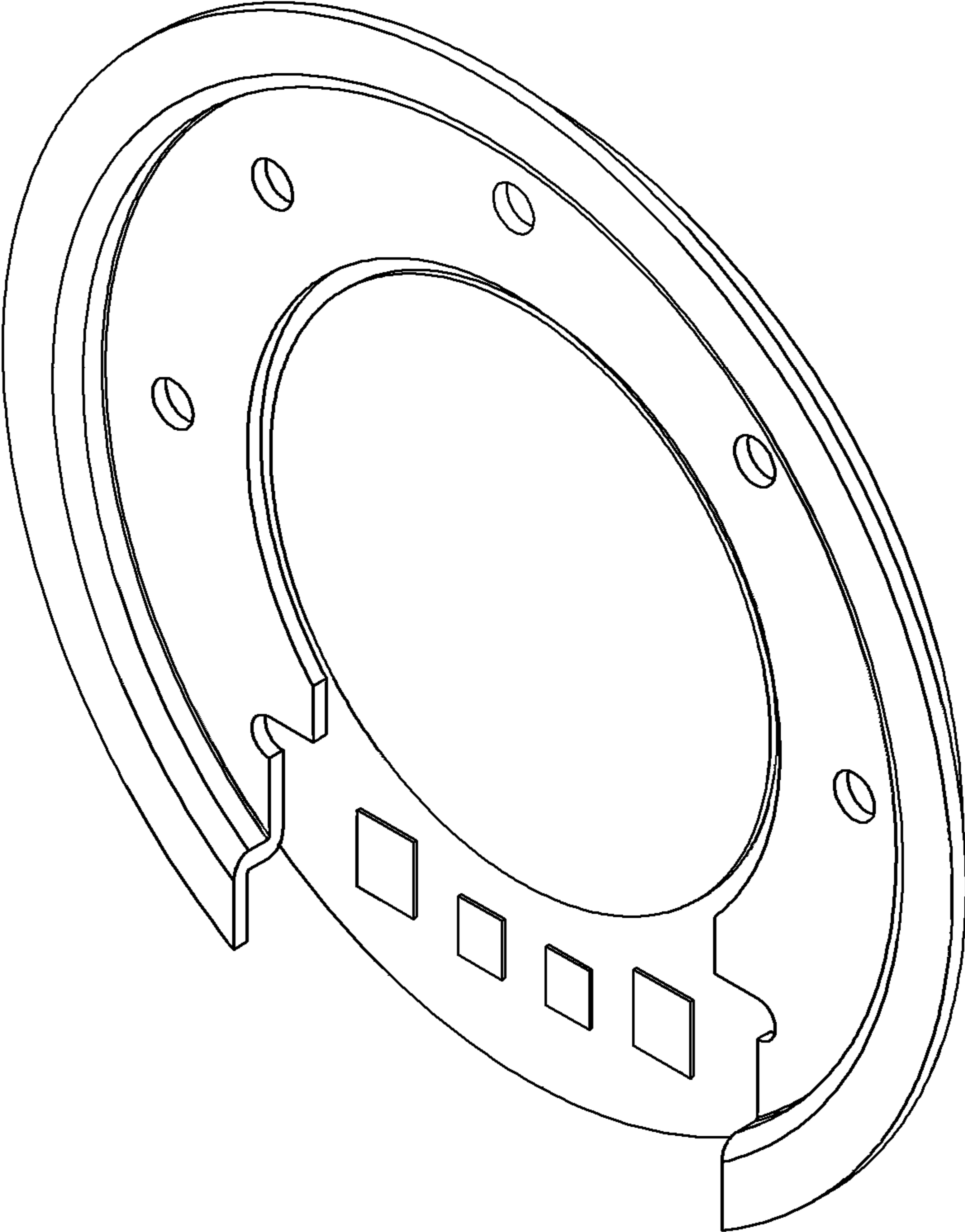


FIG. 8