



US00D696636S

(12) **United States Design Patent**  
**Sakai**

(10) **Patent No.:** **US D696,636 S**

(45) **Date of Patent:** **\*\* Dec. 31, 2013**

(54) **REMOTE CONTROLLER**

(71) Applicant: **Yuki Sakai**, Chiyoda-Ku (JP)

(72) Inventor: **Yuki Sakai**, Chiyoda-Ku (JP)

(73) Assignee: **Mitsubishi Electric Corporation**,  
Tokyo (JP)

(\*\*) Term: **14 Years**

(21) Appl. No.: **29/440,808**

(22) Filed: **Dec. 27, 2012**

(30) **Foreign Application Priority Data**

Jul. 17, 2012 (JP) ..... 2012-016877

(51) **LOC (9) Cl.** ..... **14-03**

(52) **U.S. Cl.**  
USPC ..... **D13/168**

(58) **Field of Classification Search**

USPC ..... D13/168; D10/49, 50, 104.1, 106.1;  
D14/203.7, 341, 496; 165/238;  
315/158, 295; 340/4.3, 4.42, 12.22,  
340/12.23, 12.24, 12.29, 12.3, 13.2, 13.21,  
340/13.24; 341/176; 236/49.3, 46 R, 51, 1 C,  
236/94; 348/734; 455/352; 700/17, 65, 83,  
700/86, 276, 277

See application file for complete search history.

(56) **References Cited**

**U.S. PATENT DOCUMENTS**

D409,200 S \* 5/1999 Cooper ..... D14/218  
D478,894 S \* 8/2003 Oikawa ..... D14/218

D501,463 S \* 2/2005 Hisatsune ..... D14/218  
D518,744 S \* 4/2006 Rosen ..... D10/50  
D582,800 S \* 12/2008 Comerford et al. .... D10/50  
D582,802 S \* 12/2008 Branson et al. .... D10/50  
D630,169 S \* 1/2011 Nakai et al. .... D13/168  
D635,556 S \* 4/2011 Suzuki ..... D14/218  
D648,641 S \* 11/2011 Wallaert et al. .... D10/50  
D661,662 S \* 6/2012 Kikuchi et al. .... D13/168  
D678,218 S \* 3/2013 Sheen ..... D13/168  
D678,219 S \* 3/2013 Higashijima et al. .... D13/168

\* cited by examiner

*Primary Examiner* — Selina Sikder

(74) *Attorney, Agent, or Firm* — Sughrue Mion, PLLC

(57) **CLAIM**

The ornamental design for a remote controller, as shown and described.

**DESCRIPTION**

FIG. 1 is a front, top and right side perspective view of a remote controller, showing my new design;  
FIG. 2 is a rear, bottom and left side perspective view thereof;  
FIG. 3 is a front elevational view thereof;  
FIG. 4 is a rear elevational view thereof;  
FIG. 5 is a left side elevational view thereof;  
FIG. 6 is a right side elevational view thereof;  
FIG. 7 is a top plan view thereof;  
FIG. 8 is a bottom plan view thereof; and,  
FIG. 9 is a reference vertical cross-sectional view thereof; taken in the direction of line 9-9 in FIG. 3, with broken line disclosure of internal elements understood to represent unclaimed portions of the article in which the claimed design is embodied.

**1 Claim, 7 Drawing Sheets**

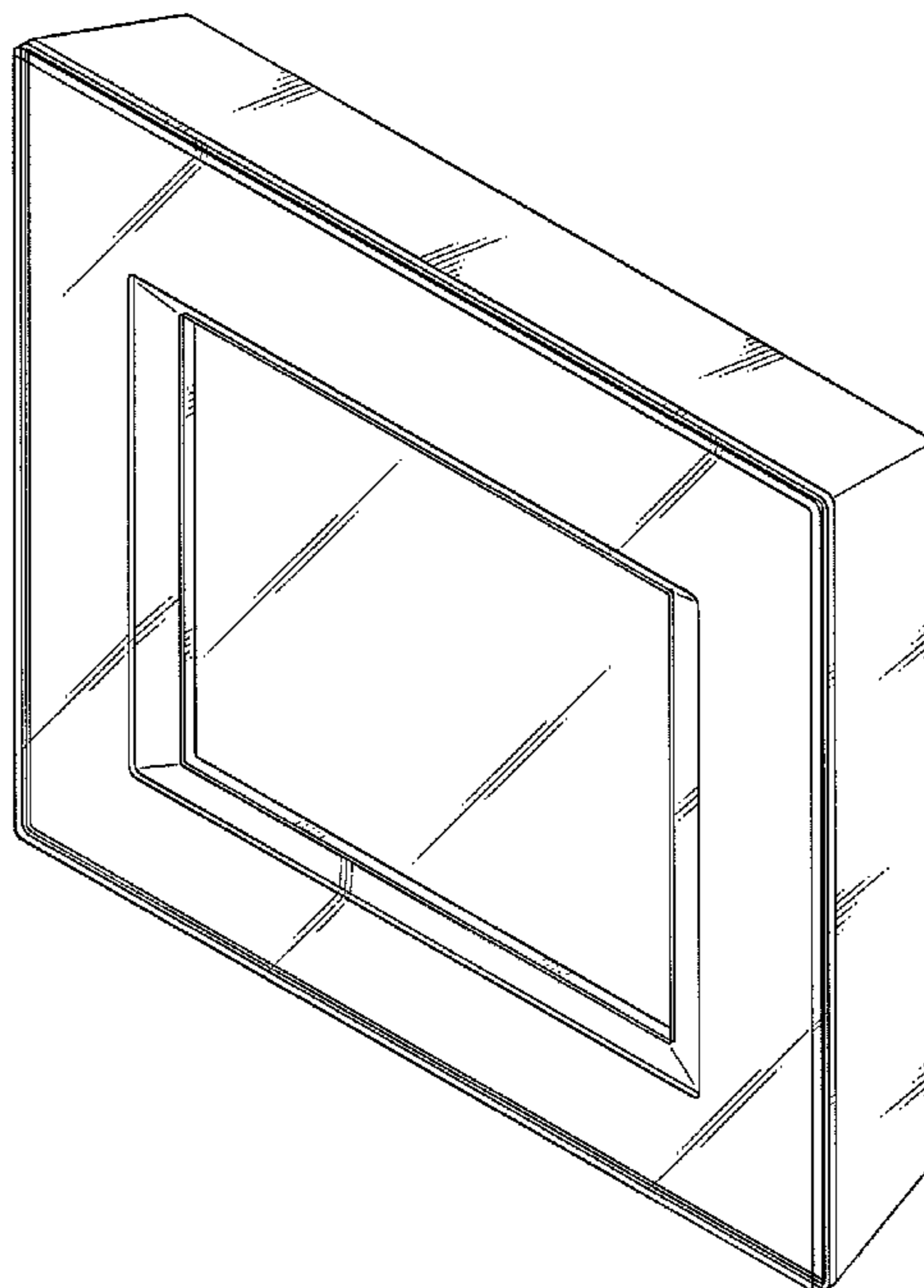


Fig. 1

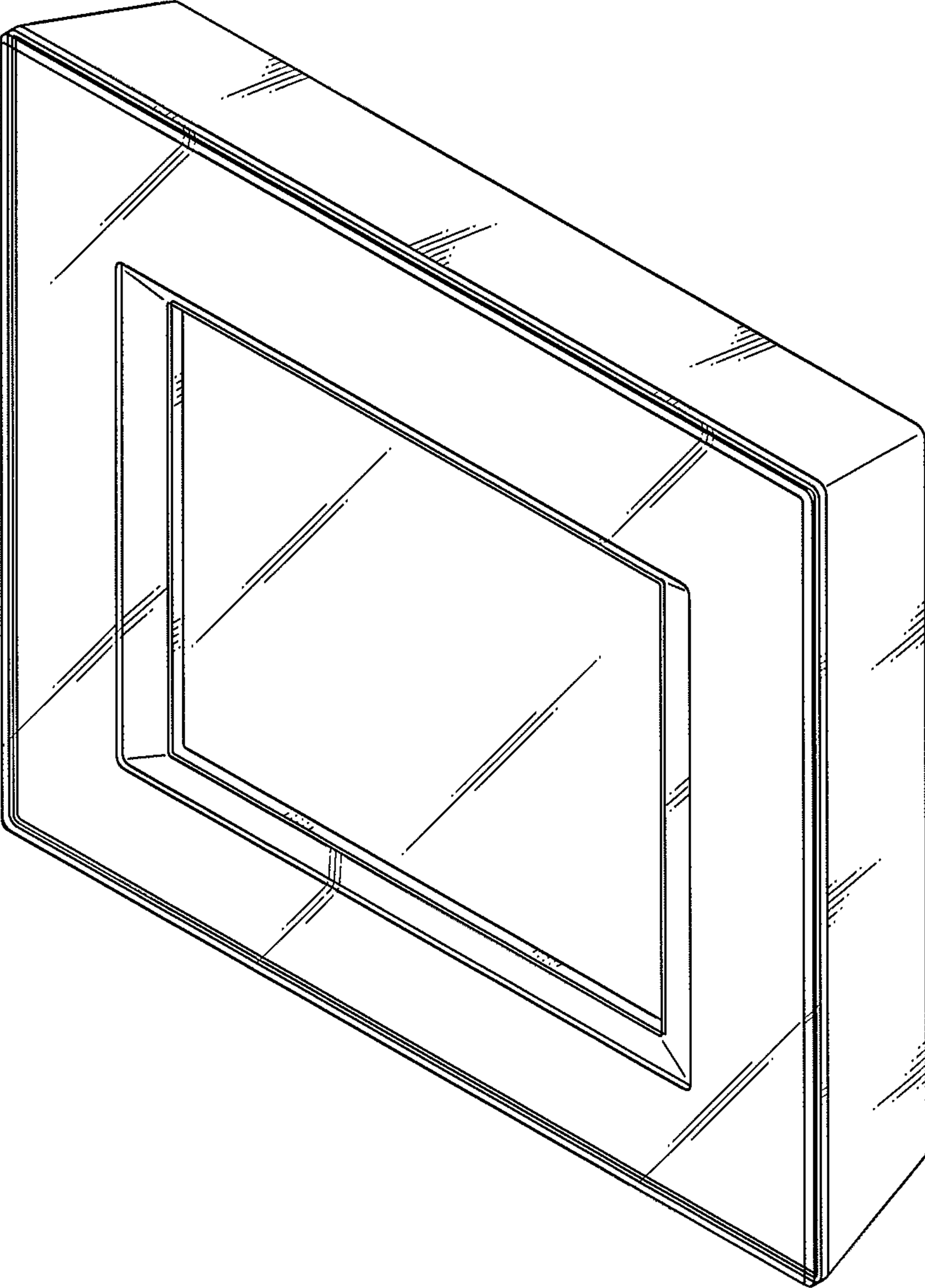


Fig. 2

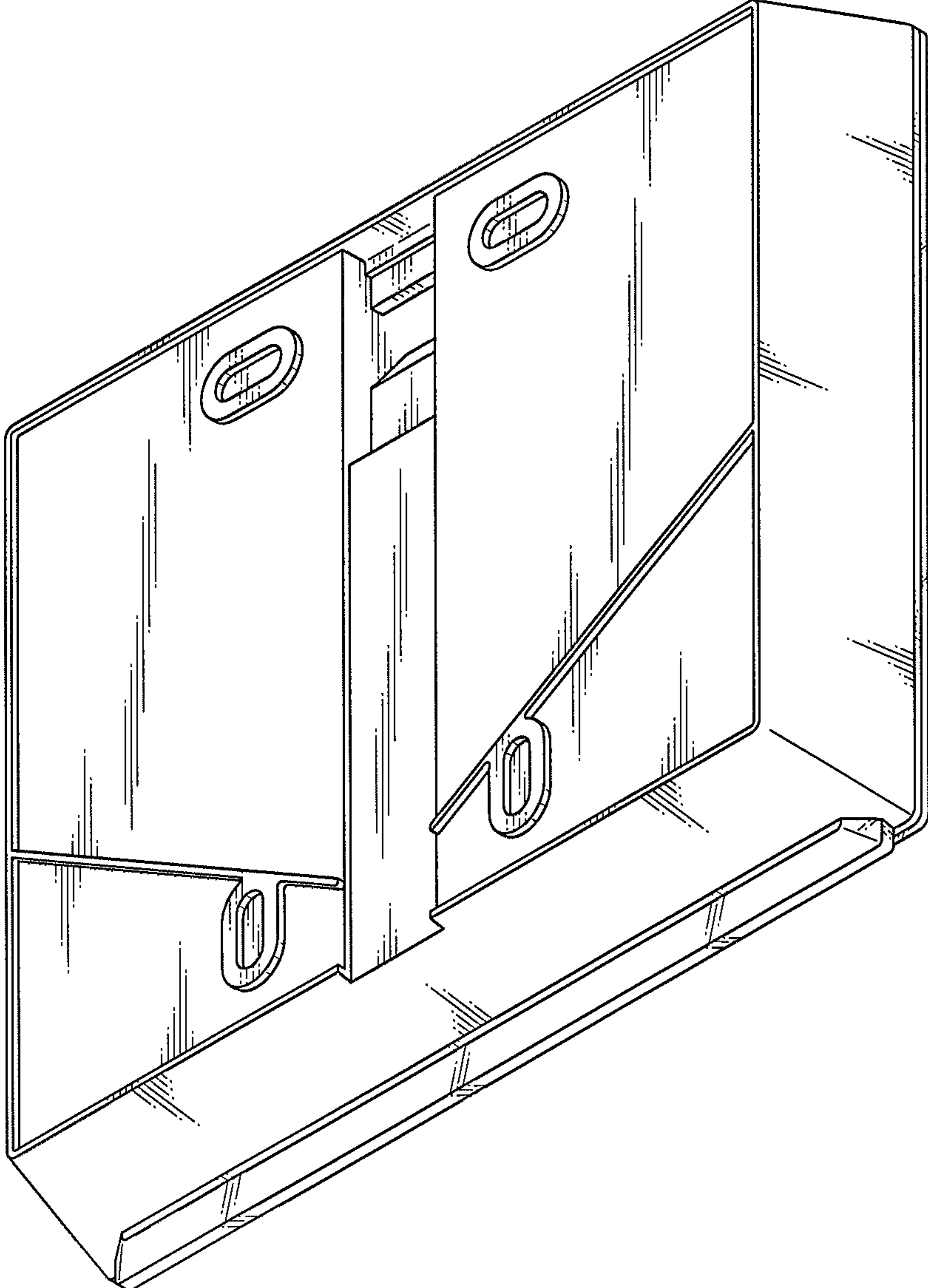
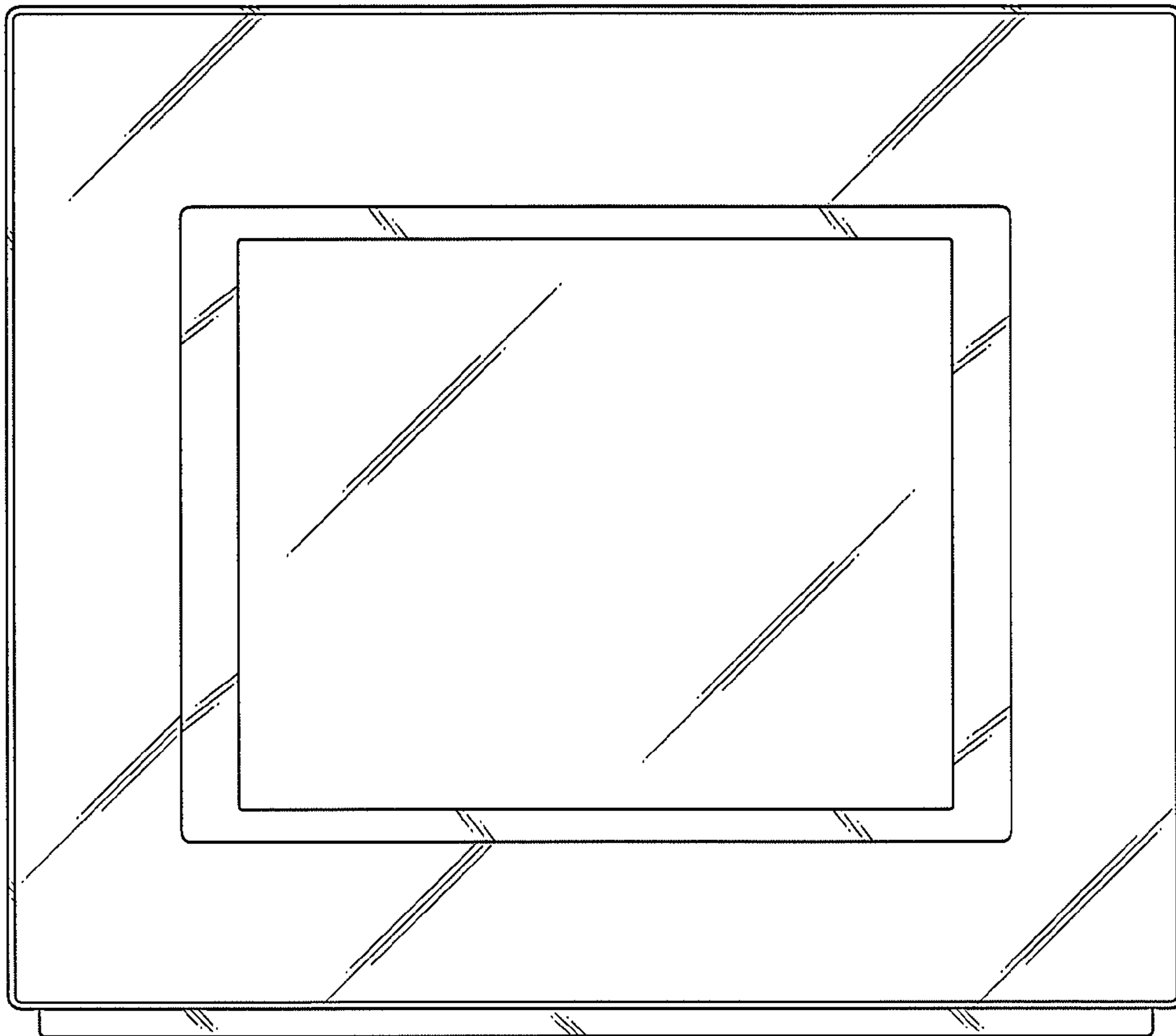


Fig. 3

9 ↙



9 ↙

Fig. 4

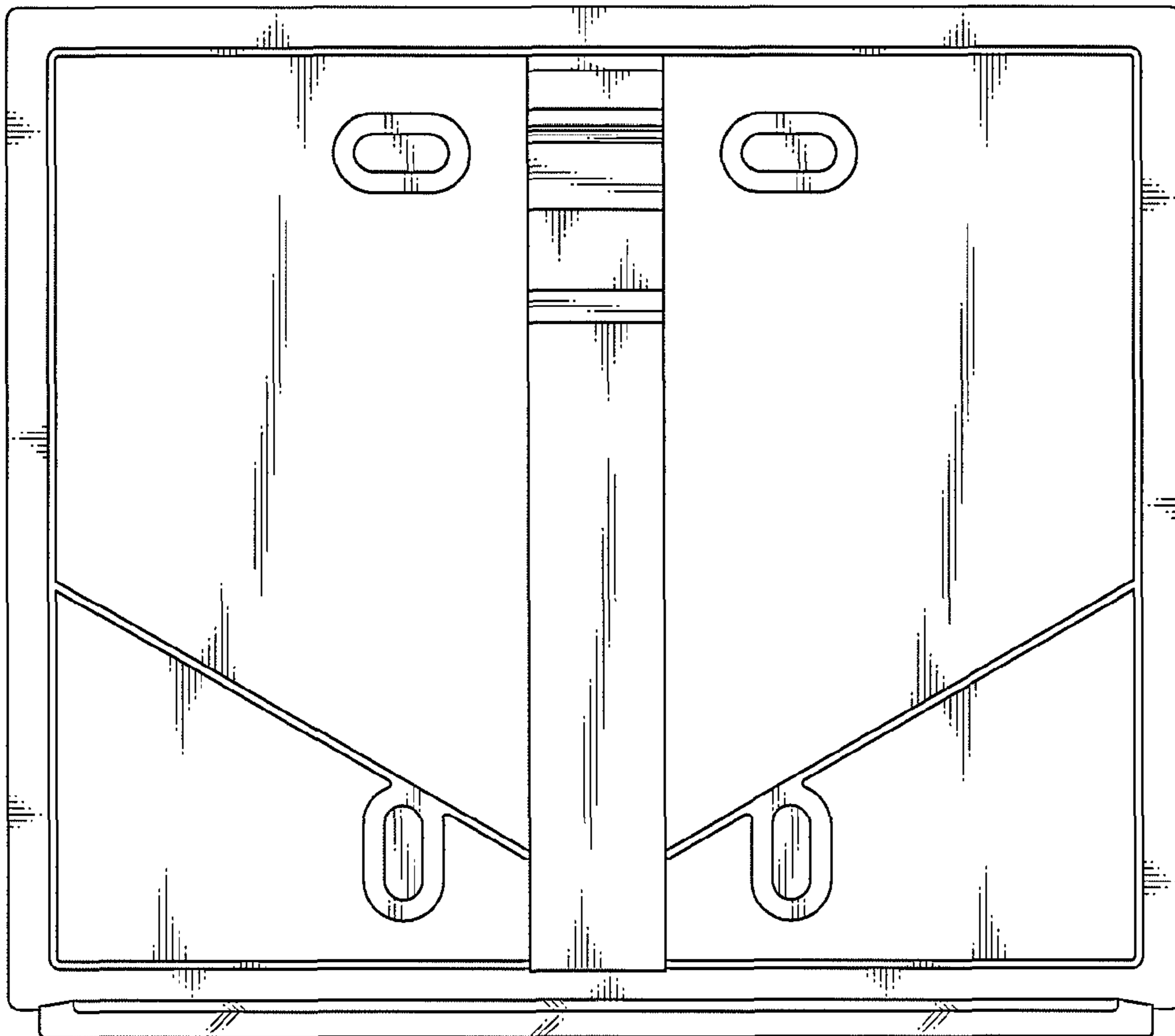


Fig. 5

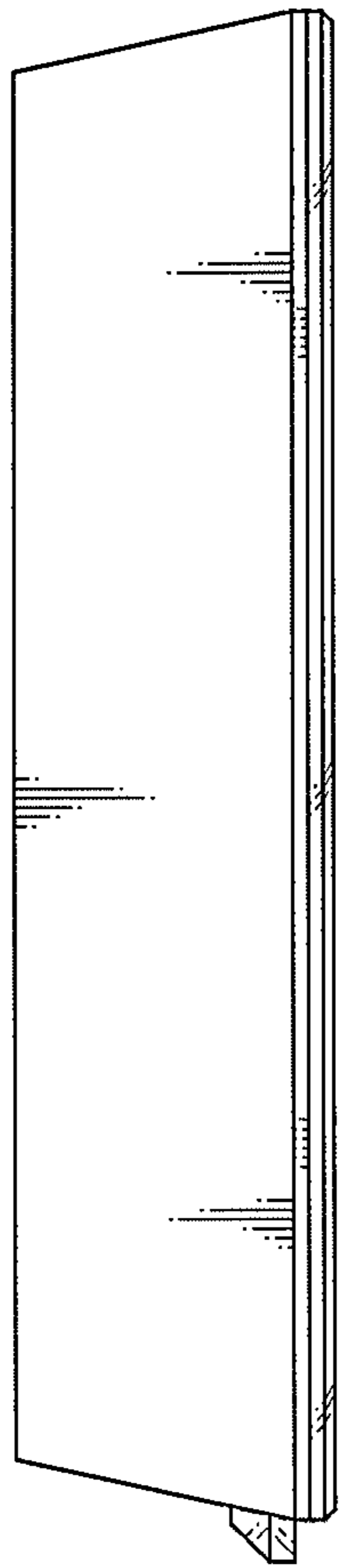


Fig. 6



Fig. 7



Fig. 8

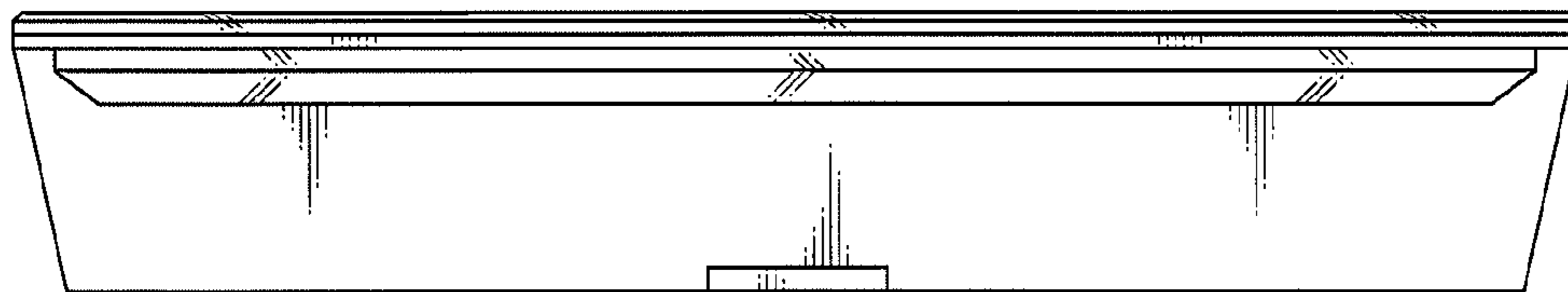


Fig. 9

