

US00D696634S

(12) **United States Design Patent**
Liu et al.

(10) **Patent No.:** **US D696,634 S**
(45) **Date of Patent:** **** Dec. 31, 2013**

(54) **MODULE FOR A PROGRAMMABLE LOGIC CONTROLLER (PLC)**

(75) Inventors: **Jin Jin Liu**, Nanjing (CN); **Hai Jun Wang**, Nanjing (CN); **Min Xu**, Nanjing (CN); **Yu Hao Zhu**, Nanjing (CN)

(73) Assignee: **Siemens Aktiengesellschaft**, Munich (DE)

(**) Term: **14 Years**

(21) Appl. No.: **29/423,913**

(22) Filed: **Jun. 6, 2012**

(30) **Foreign Application Priority Data**

Dec. 7, 2011 (CN) 2011 3 0463220

(51) **LOC (9) Cl.** **13-03**

(52) **U.S. Cl.**
USPC **D13/162.1**

(58) **Field of Classification Search**
USPC D13/110, 119, 123, 158-164, 171, 173, 174, 177, 178, 184, 199; 455/89, 90, 455/346-349; 361/601, 622, 627-628, 361/679-681, 690; 340/825.22, 825.24

See application file for complete search history.

(56) **References Cited**

U.S. PATENT DOCUMENTS

D329,843 S *	9/1992	Ishida	D13/162
D553,564 S *	10/2007	Kuo	D13/110
D620,454 S *	7/2010	Lissola et al.	D13/164
D660,799 S *	5/2012	Grunwald et al.	D13/123
D661,252 S *	6/2012	Grunwald et al.	D13/123
D661,253 S *	6/2012	Grunwald et al.	D13/123
D661,254 S *	6/2012	Grunwald et al.	D13/123
D666,150 S *	8/2012	Grunwald et al.	D13/123

* cited by examiner

Primary Examiner — Thomas Johannes

(74) *Attorney, Agent, or Firm* — Cozen O'Connor

(57) **CLAIM**

The ornamental design for a module for programmable logic controller (PLC), as shown and described.

DESCRIPTION

FIG. 1 is a front elevational view of a module for a programmable logic controller (PLC) showing our new design; FIG. 2 is a rear elevational view thereof; FIG. 3 is a top plan view thereof; FIG. 4 is a bottom plan view thereof; FIG. 5 is a right-side elevation view thereof; FIG. 6 is left-side elevation view thereof; FIG. 7 is a front perspective view thereof; and, FIG. 8 is a right side perspective view thereof. The broken line portion of the figure drawings is included to show unclaimed subject matter only and forms no part of the claimed design.

1 Claim, 8 Drawing Sheets

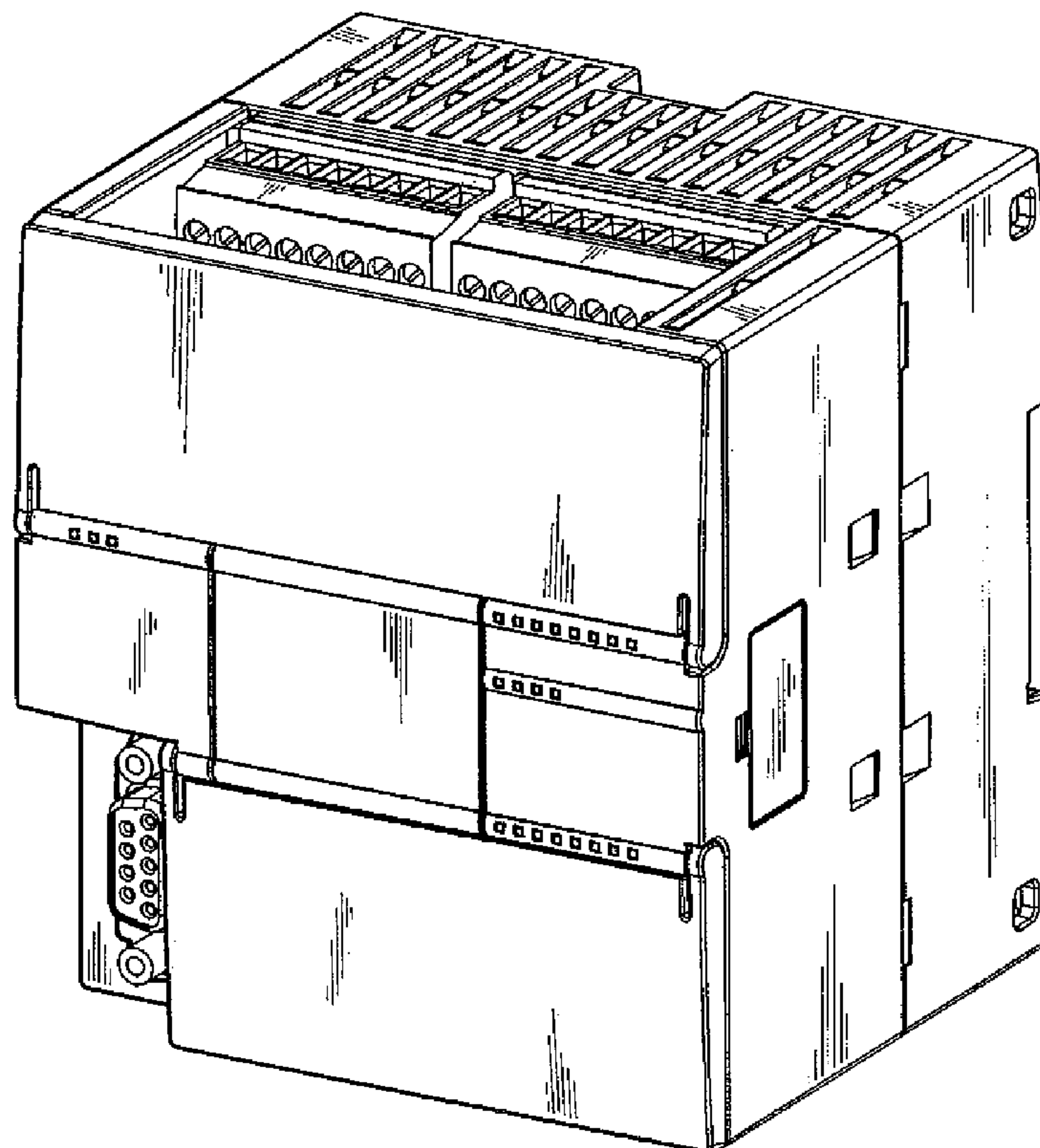


FIG 1

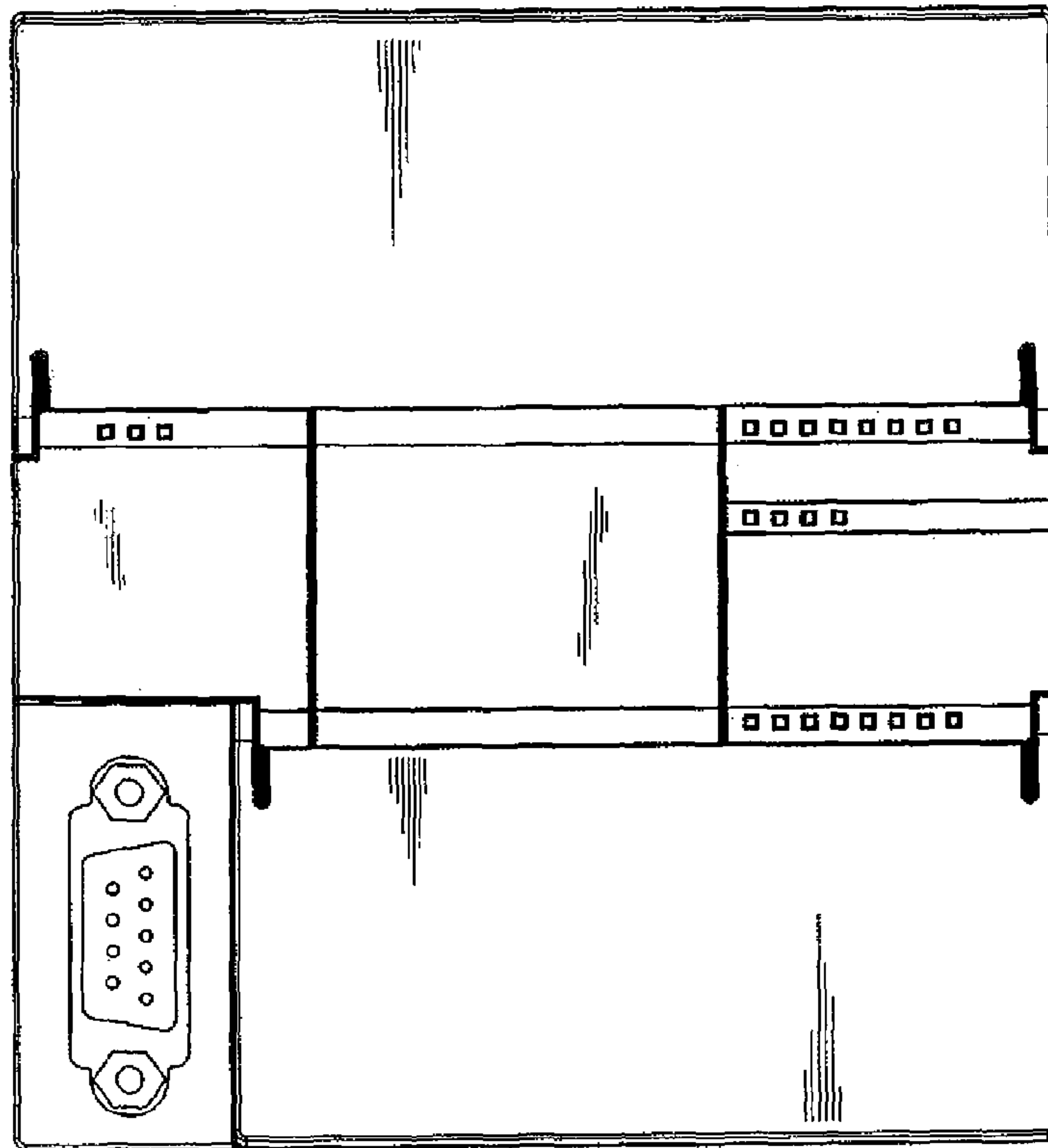


FIG 2

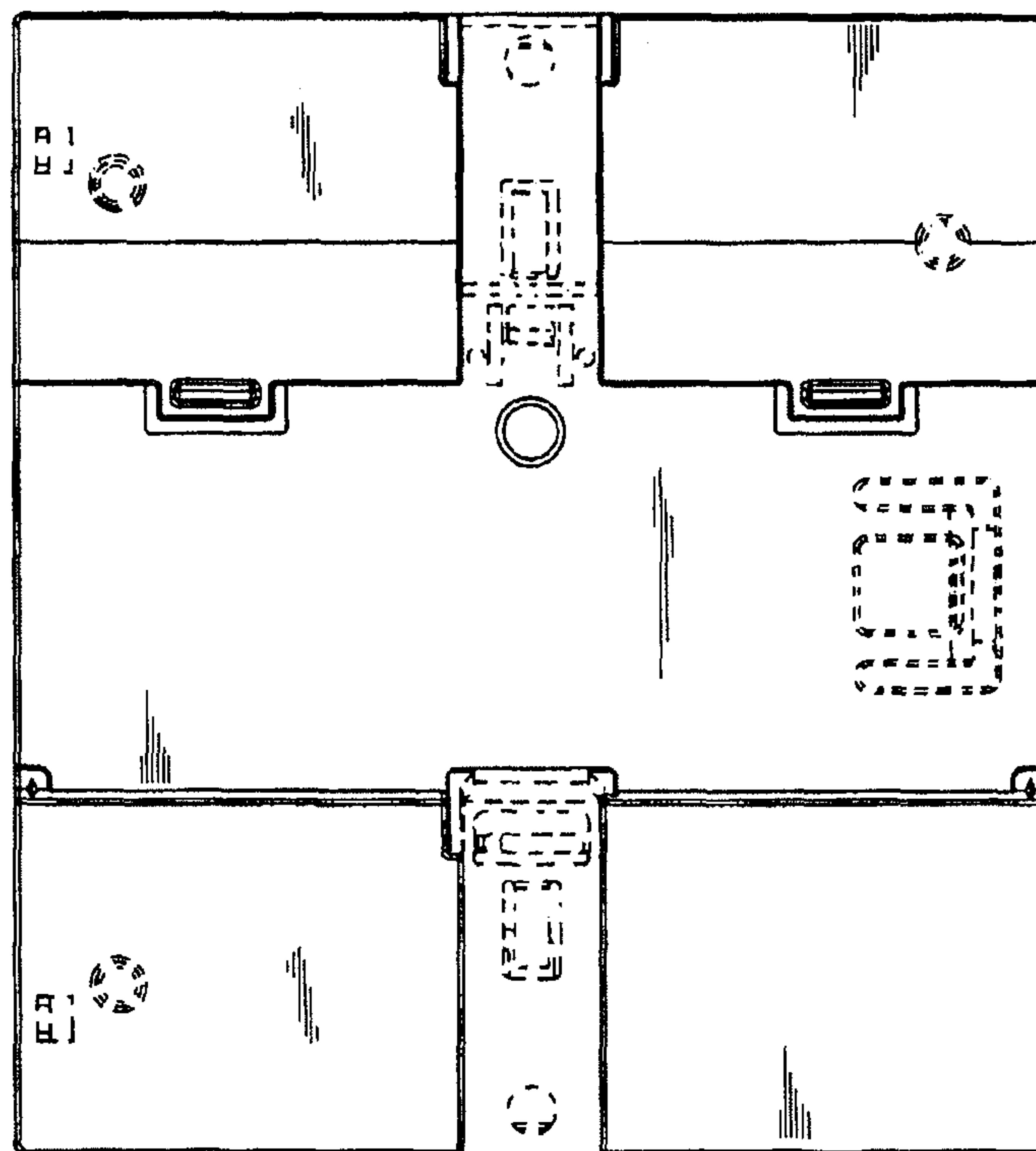


FIG 3

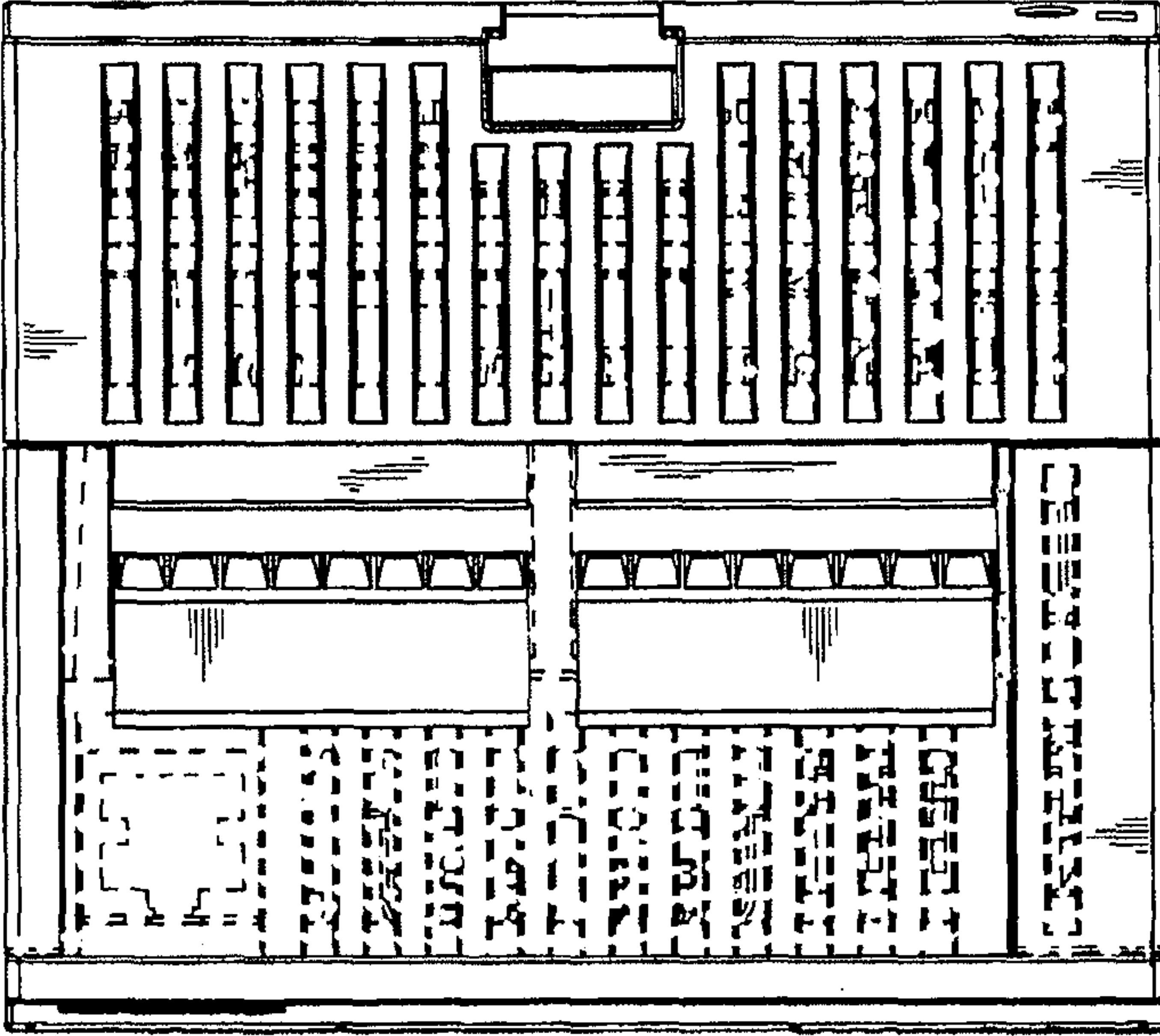


FIG 4

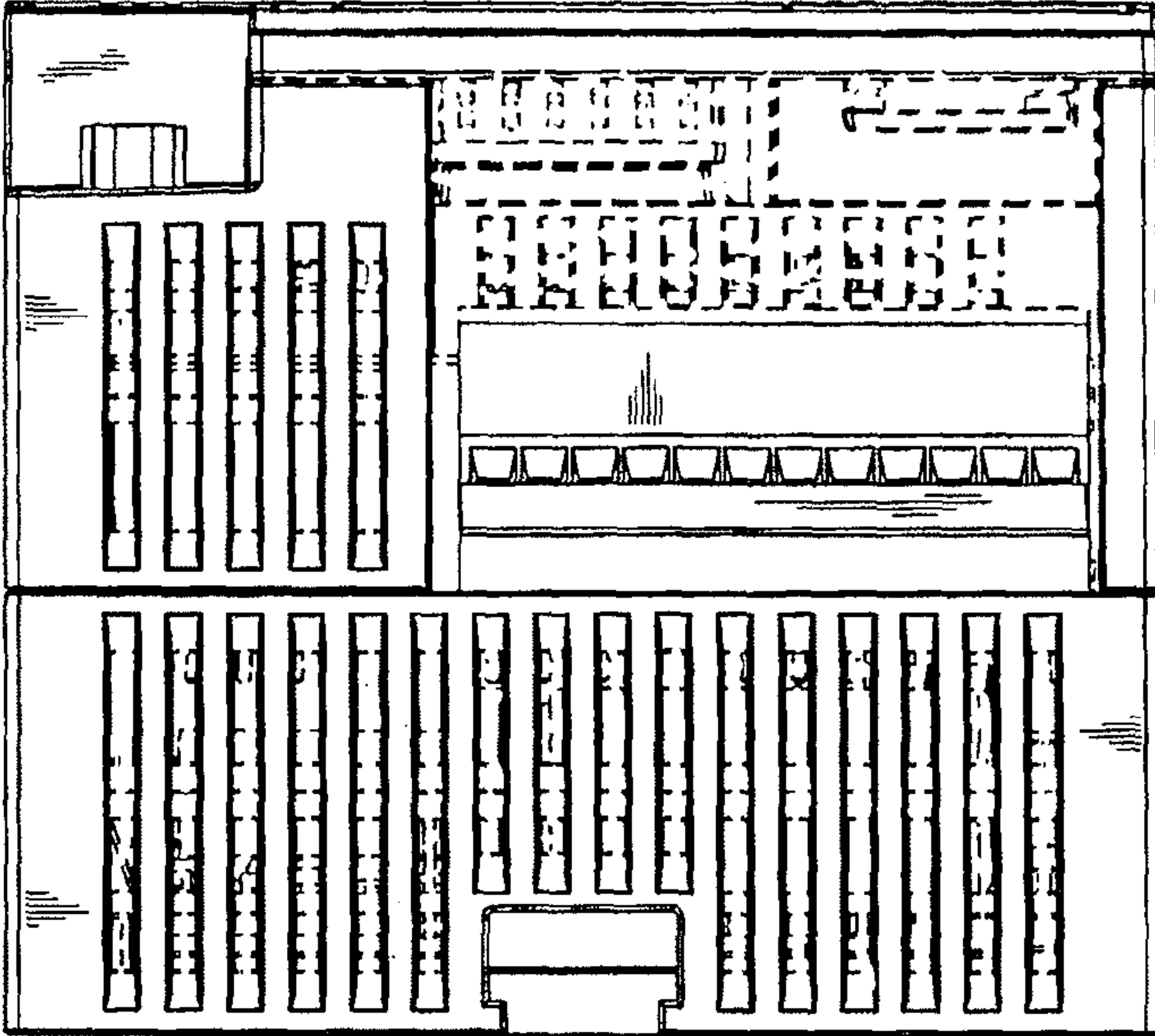


FIG 5

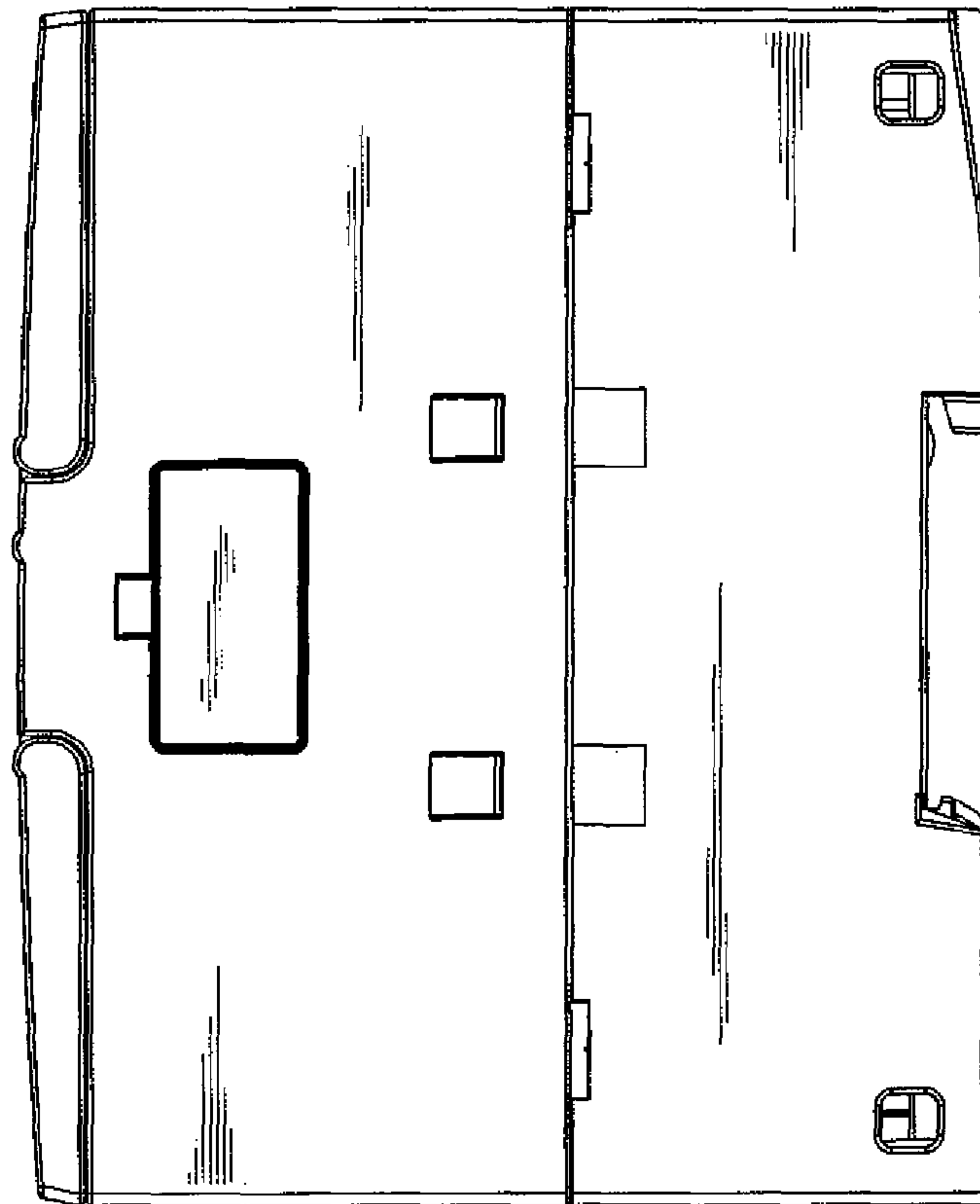


FIG 6

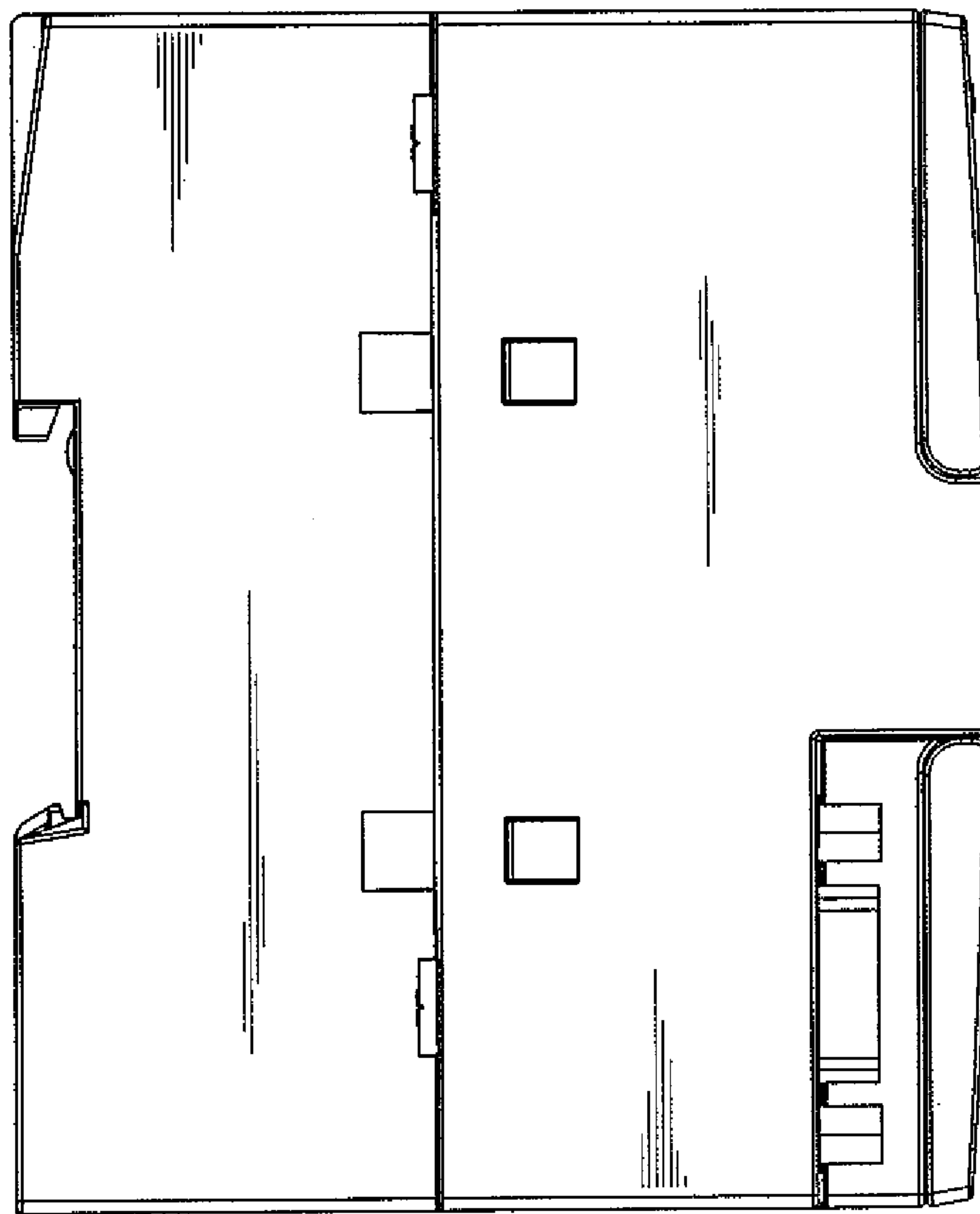


FIG 7

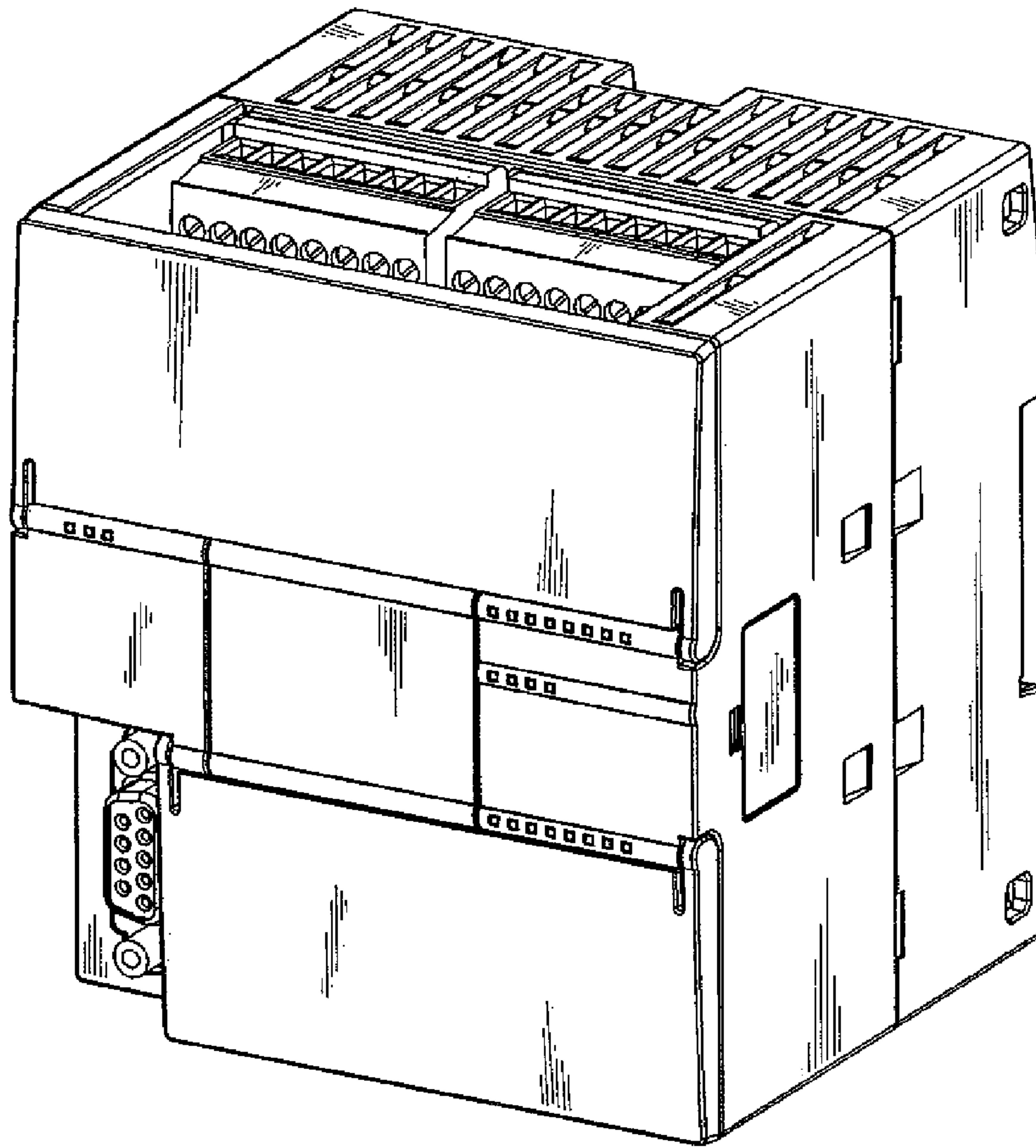


FIG 8

