



US00D696633S

(12) **United States Design Patent**
Katchatag

(10) **Patent No.:** **US D696,633 S**

(45) **Date of Patent:** **** Dec. 31, 2013**

(54) **OUTDOOR SATELLITE DISH DISTRIBUTION CENTER COVER**

(76) **Inventor:** **Timothy Katchatag**, Shaktoolik, AK (US)

(**) **Term:** **14 Years**

(21) **Appl. No.:** **29/398,037**

(22) **Filed:** **Jul. 26, 2011**

(51) **LOC (9) Cl.** **13-03**

(52) **U.S. Cl.**
USPC **D13/156**

(58) **Field of Classification Search**
USPC D13/156, 184; D8/83, 94, 97, 107, 300, D8/303, 307, 310, 319, 320, 322; 343/873, 343/874, 878, 880, 888; D21/682, 694; D16/133; D9/500, 519, 575, 711, 767, D9/772; 428/36.5, 36.9, 36.91, 66.4, 66.6; D25/31, 48.1, 117, 122; 206/385

See application file for complete search history.

(56) **References Cited**

U.S. PATENT DOCUMENTS

2,692,335	A *	10/1954	Alford	343/821
2,860,382	A *	11/1958	Garrett	524/132
2,948,871	A *	8/1960	Craige	336/83
3,041,719	A *	7/1962	Haseltine	29/517
4,579,134	A *	4/1986	Moore	132/320
5,025,244	A *	6/1991	Huang	340/442
5,378,530	A *	1/1995	Metivaud et al.	442/43
5,528,253	A	6/1996	Franklin		
5,619,210	A *	4/1997	Dent	342/352
D384,710	S *	10/1997	Pahel	D21/694
5,844,526	A *	12/1998	Jones	343/704

5,940,047	A	8/1999	Pfnister		
6,149,252	A *	11/2000	Browning	312/1
6,152,751	A *	11/2000	Hanson et al.	439/263
6,933,908	B1	8/2005	Mirabueno		
6,960,268	B2 *	11/2005	Mendenhall et al.	149/19.2
7,215,300	B1	5/2007	Reid, Jr.		
7,388,558	B1	6/2008	Jacoletti et al.		
D616,950	S *	6/2010	Hersee et al.	D21/682
2002/0106392	A1 *	8/2002	Ichino	424/409
2004/0081782	A1 *	4/2004	Stavnes et al.	428/36.3
2008/0229569	A1 *	9/2008	Romao de Sousa	29/525
2010/0124625	A1 *	5/2010	Blair	428/36.5
2010/0280559	A1 *	11/2010	Montes De Oca Balderas et al.	606/327

* cited by examiner

Primary Examiner — Derrick Holland

Assistant Examiner — Lauren Calve

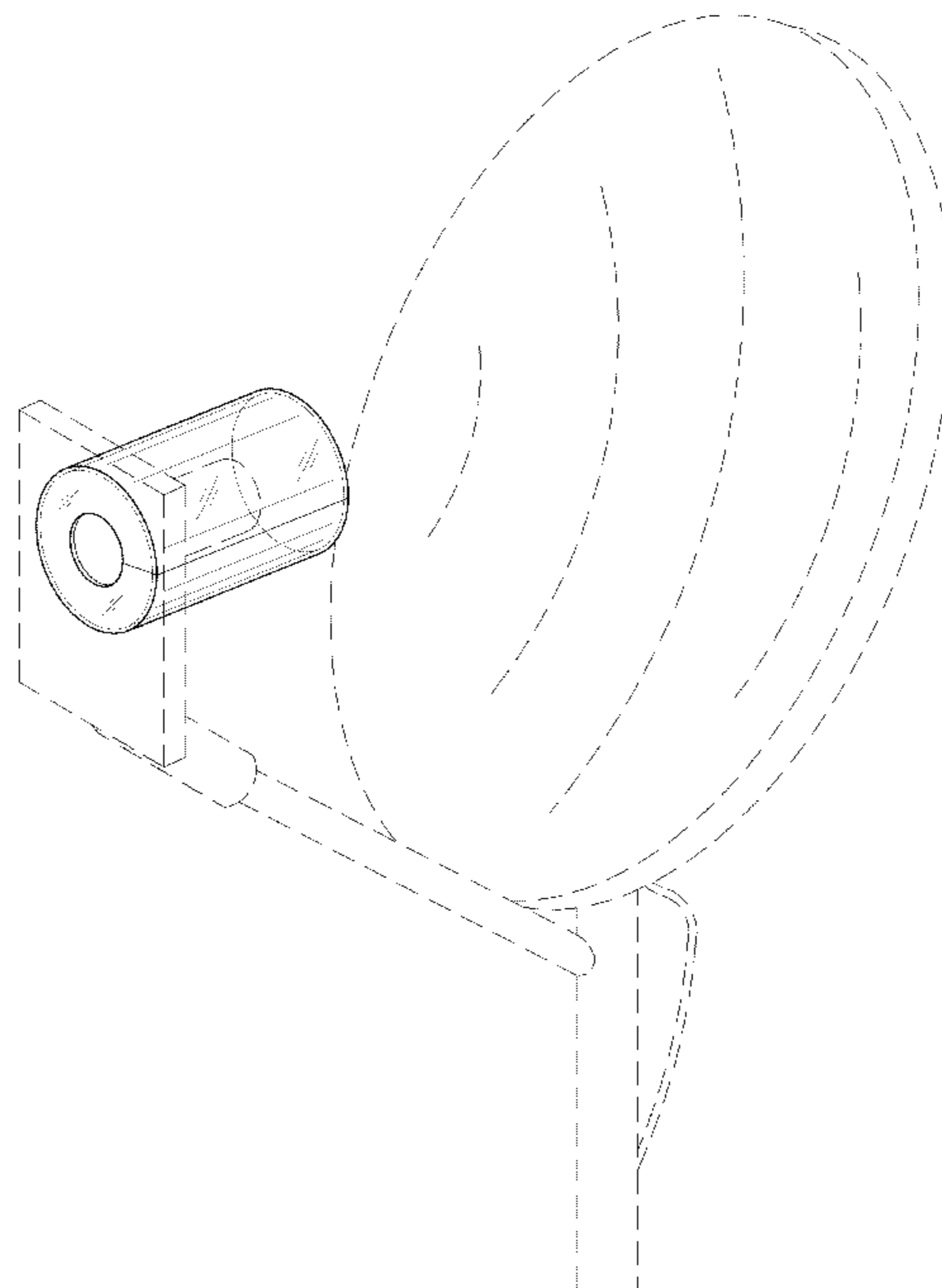
(57) **CLAIM**

The ornamental design for a outdoor satellite dish distribution center cover, as shown and described.

DESCRIPTION

FIG. 1 is a front elevation view of a outdoor satellite dish distribution center cover showing my new design; FIG. 2 is a rear elevation view thereof; FIG. 3 is a right elevation view thereof; FIG. 4 is a left elevation view thereof; FIG. 5 is a top plan view thereof, the opposite side being a mirror image of the shown; and, FIG. 6 is an isometric view thereof. The broken lines in FIG. 6 depict a satellite dish with a distribution center as environmental subject matter only and form no part of the claimed design.

1 Claim, 3 Drawing Sheets



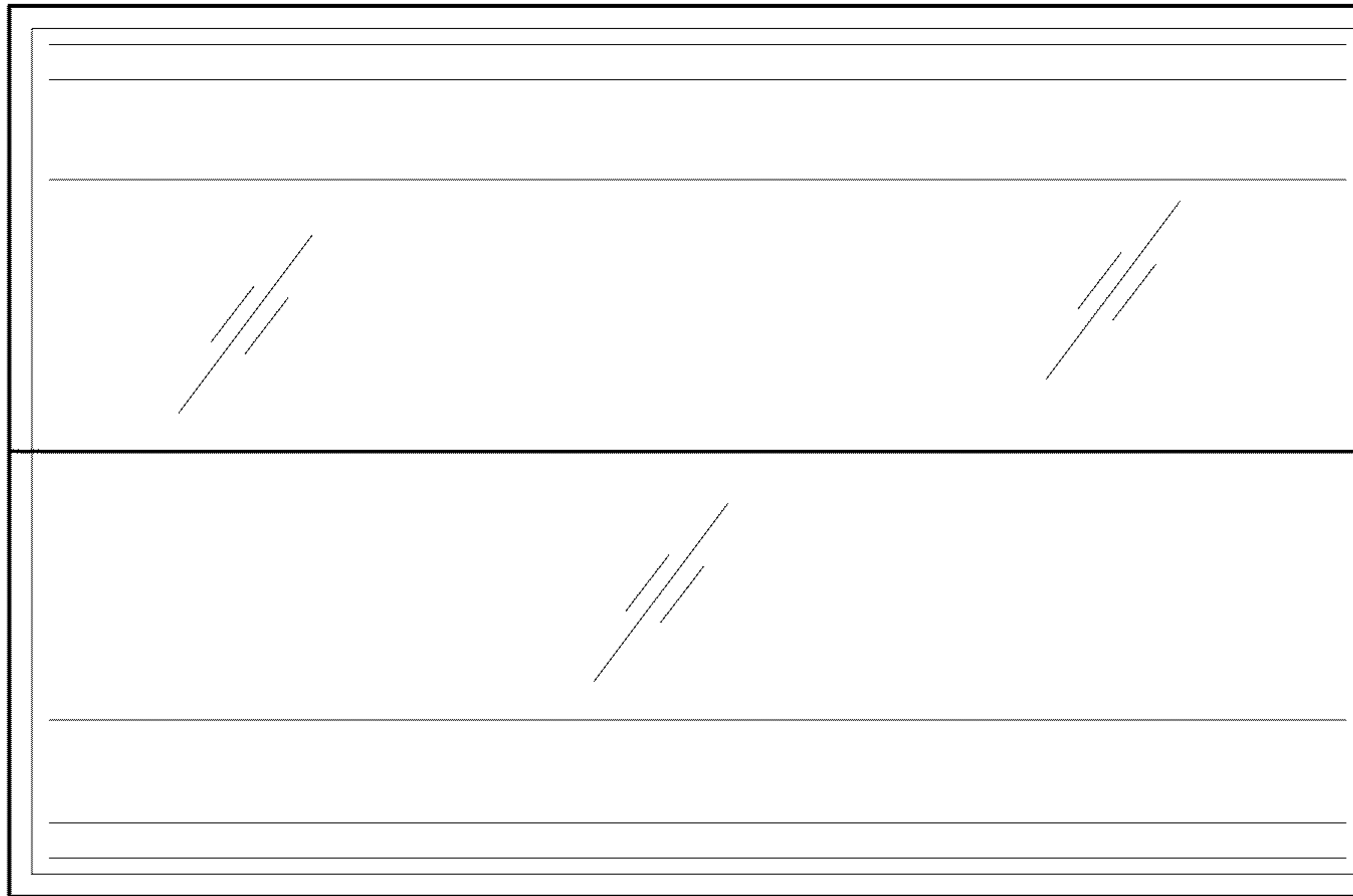


FIG. 1

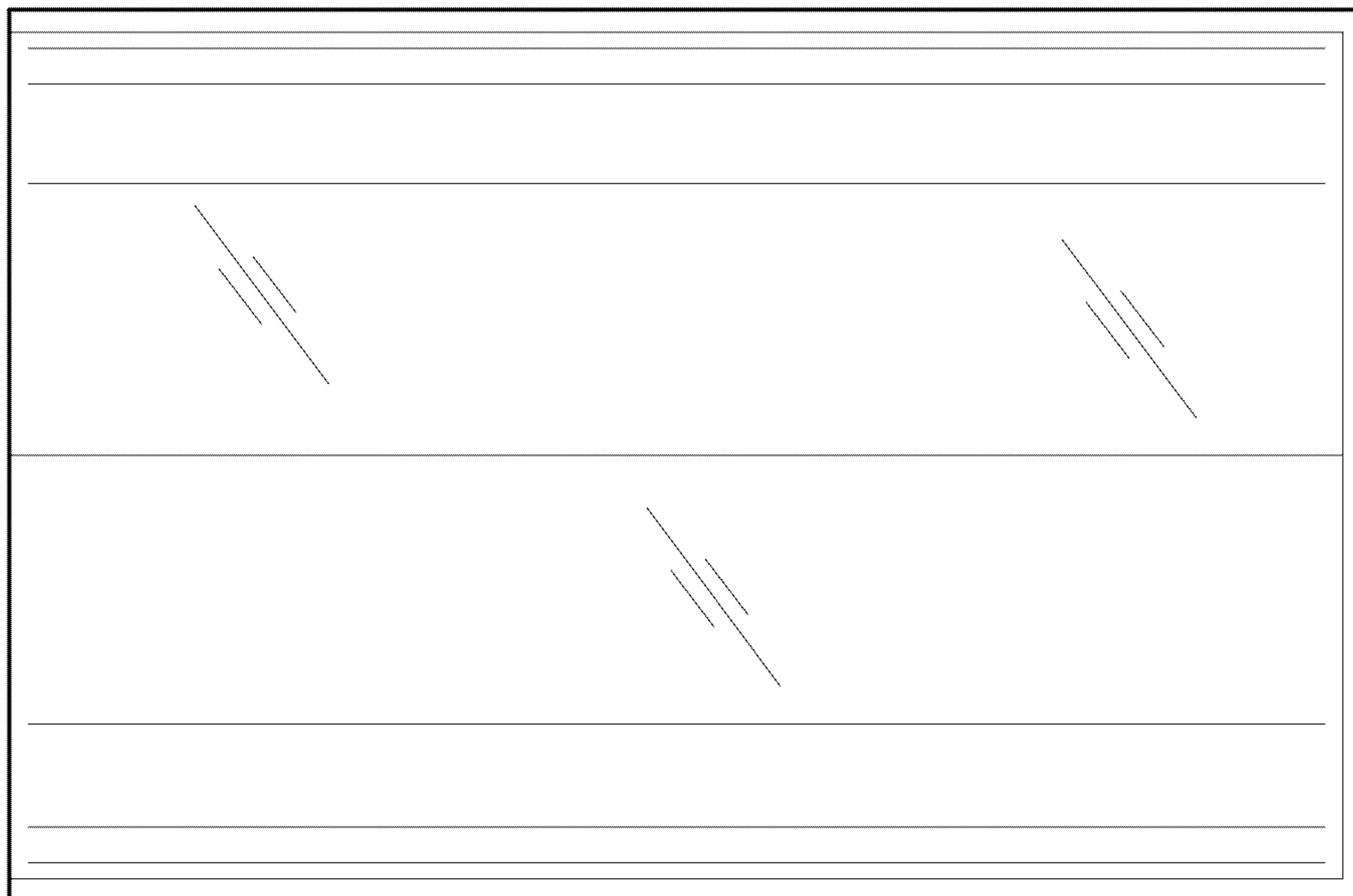


FIG. 2

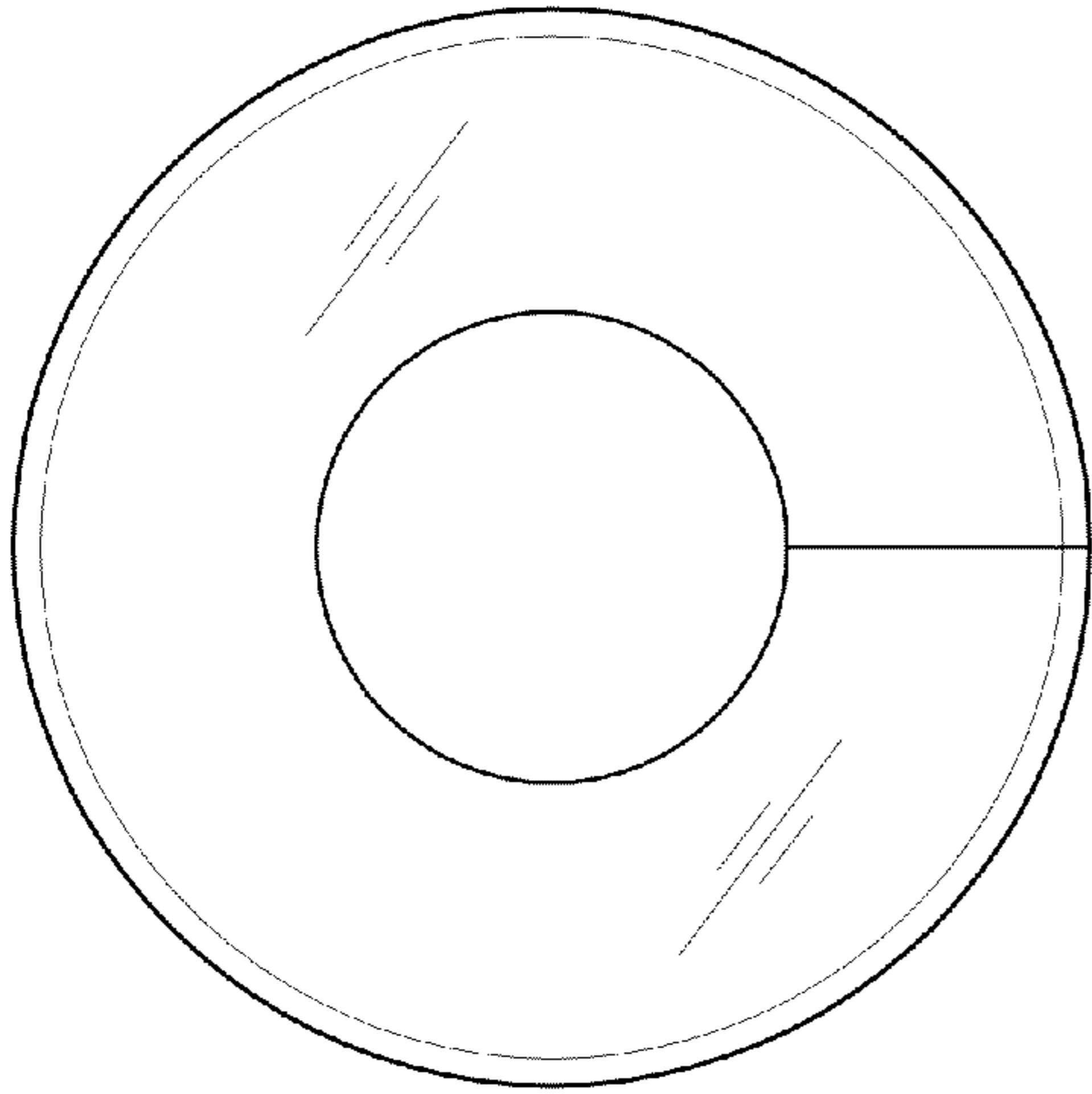


FIG. 3

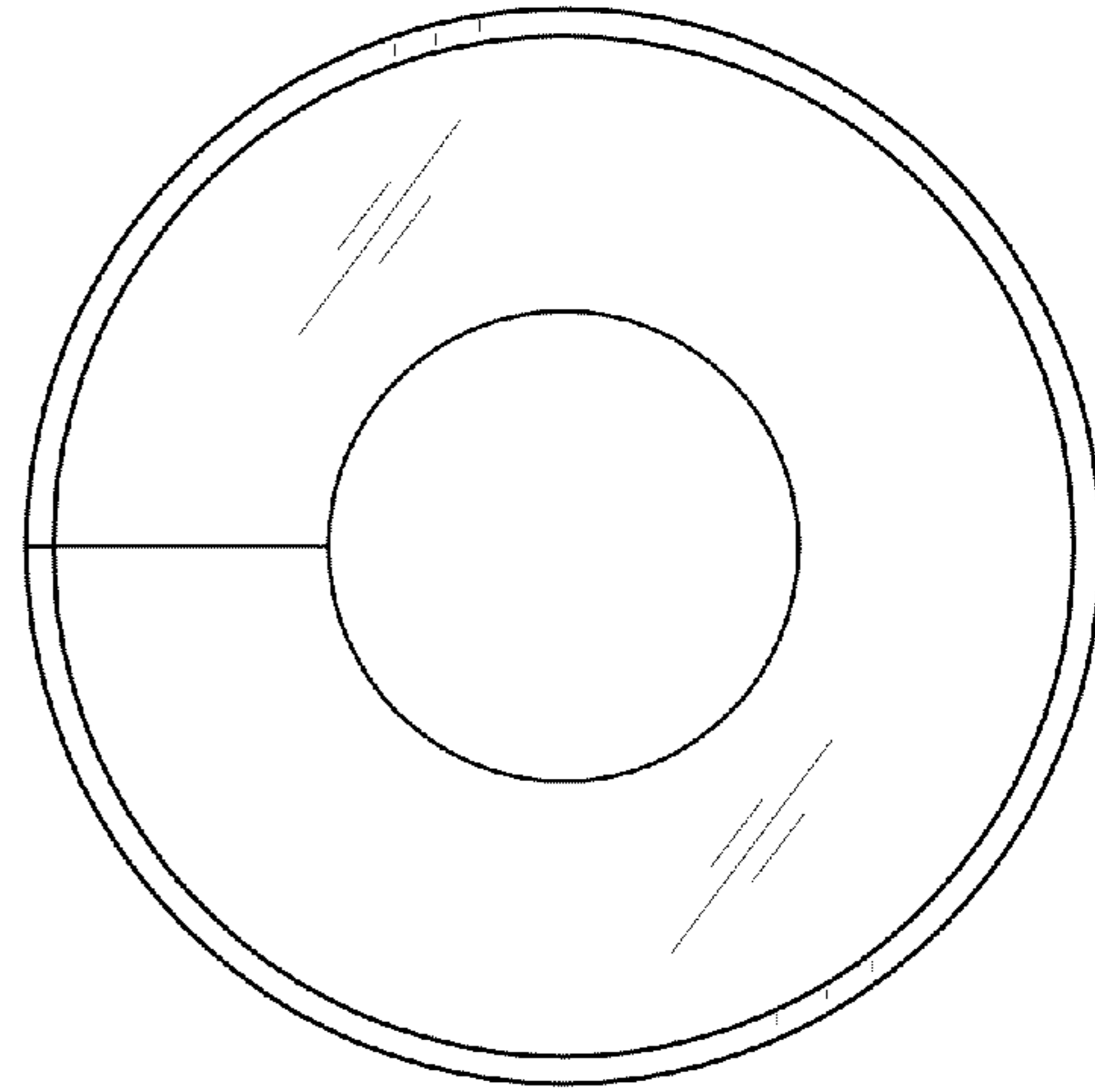


FIG. 4

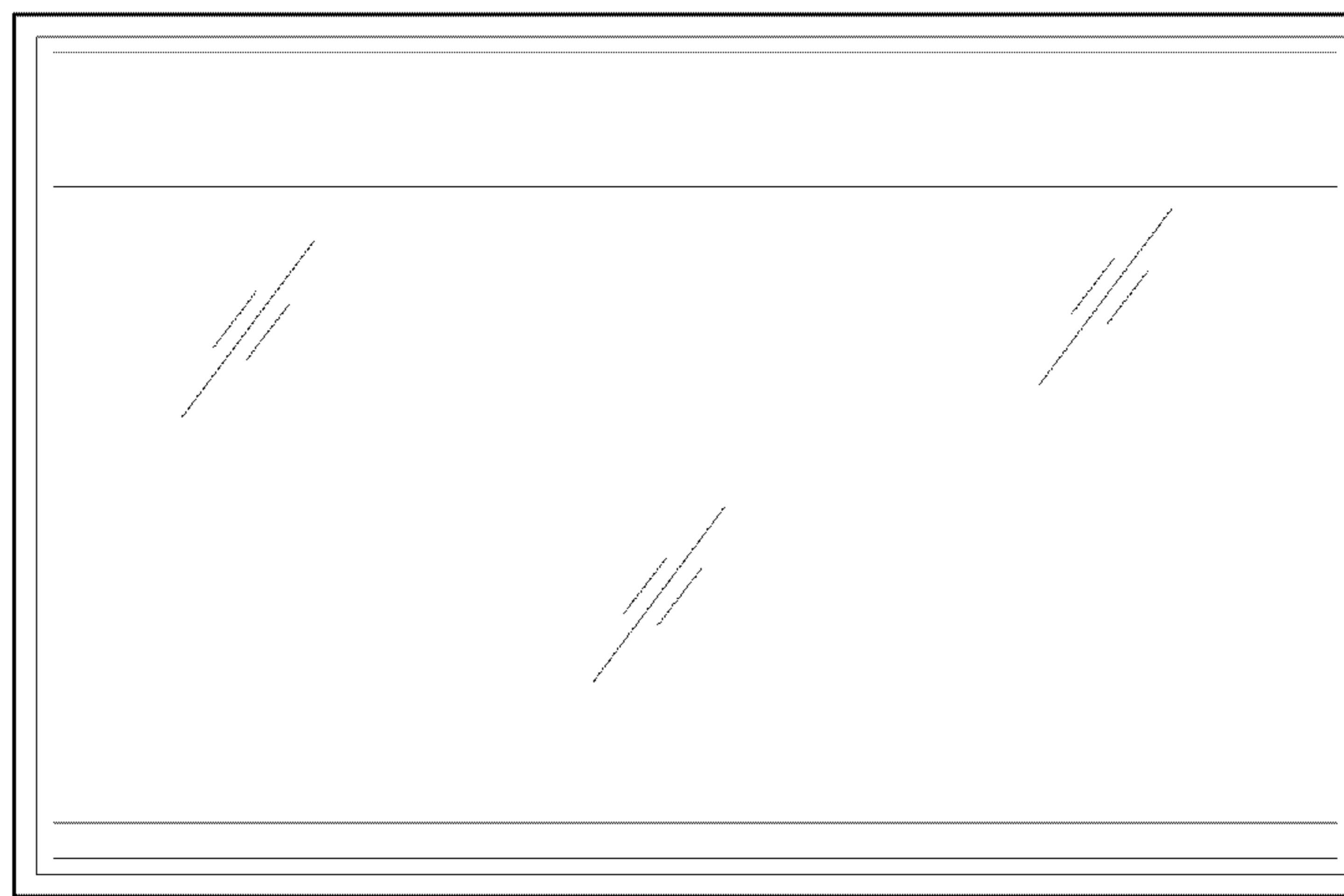


FIG. 5

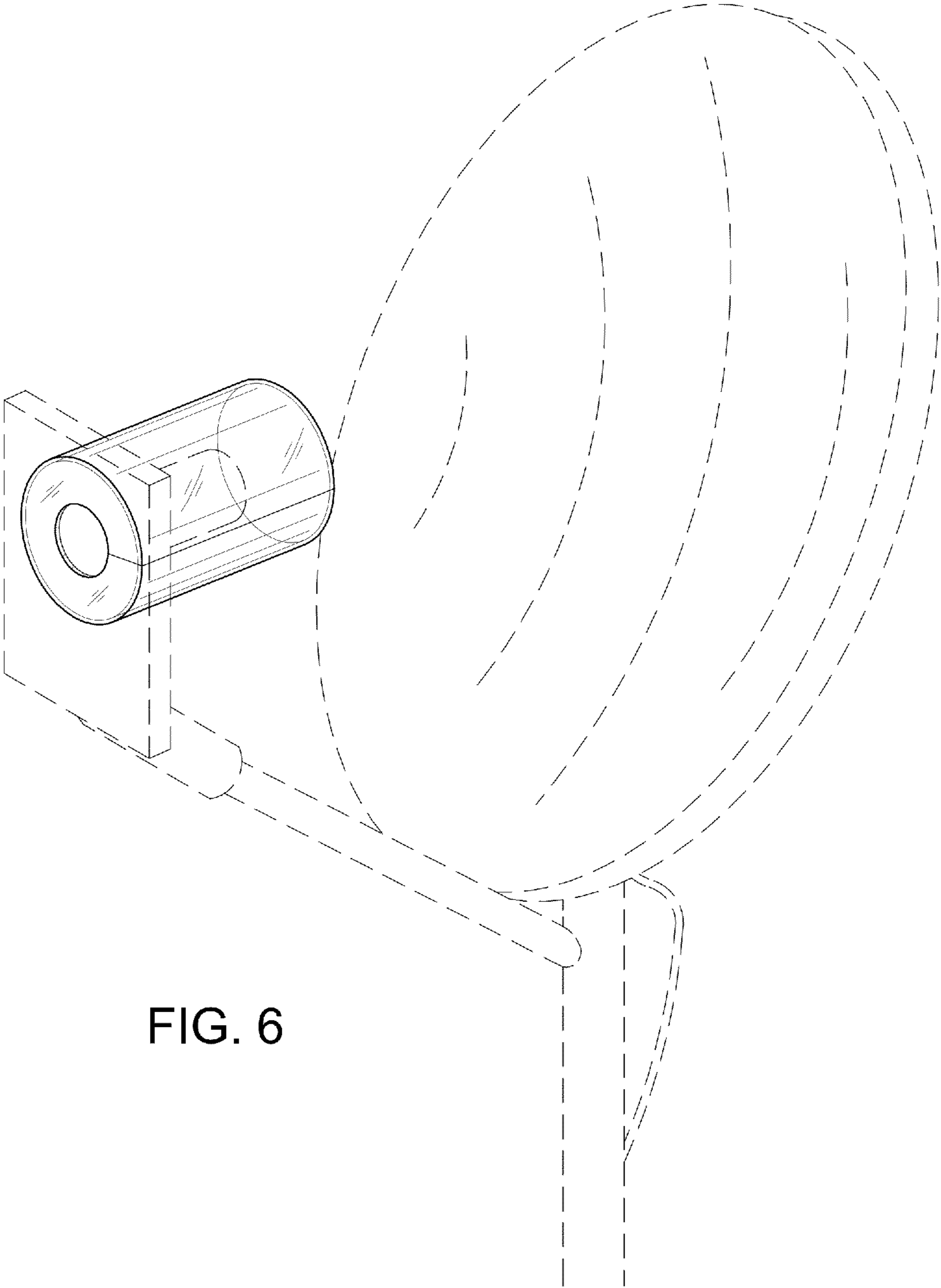


FIG. 6