



US00D696630S

(12) **United States Design Patent**
Zhang

(10) **Patent No.:** **US D696,630 S**

(45) **Date of Patent:** **** Dec. 31, 2013**

(54) **AUDIO JACK CONNECTOR**

(75) Inventor: **Wei-De Zhang**, Shenzhen (CN)

(73) Assignee: **Hon Hai Precision Industry Co., Ltd.**,
New Taipei (TW)

(**) Term: **14 Years**

(21) Appl. No.: **29/427,624**

(22) Filed: **Jul. 20, 2012**

(30) **Foreign Application Priority Data**

Mar. 16, 2012 (CN) 2012 3 0063135

(51) **LOC (9) Cl.** **13-03**

(52) **U.S. Cl.**

USPC **D13/133**

(58) **Field of Classification Search**

USPC D13/133, 146, 147, 154, 184, 199;
439/660, 668, 892, 894

See application file for complete search history.

(56) **References Cited**

U.S. PATENT DOCUMENTS

D555,098 S *	11/2007	Wu et al.	D13/133
D632,251 S *	2/2011	Chen	D13/147
D664,924 S *	8/2012	Zhang et al.	D13/133
D672,716 S *	12/2012	Nagata	D13/133

* cited by examiner

Primary Examiner — Thomas Johannes

(74) *Attorney, Agent, or Firm* — Ming Chieh Chang; Wei Te Chung

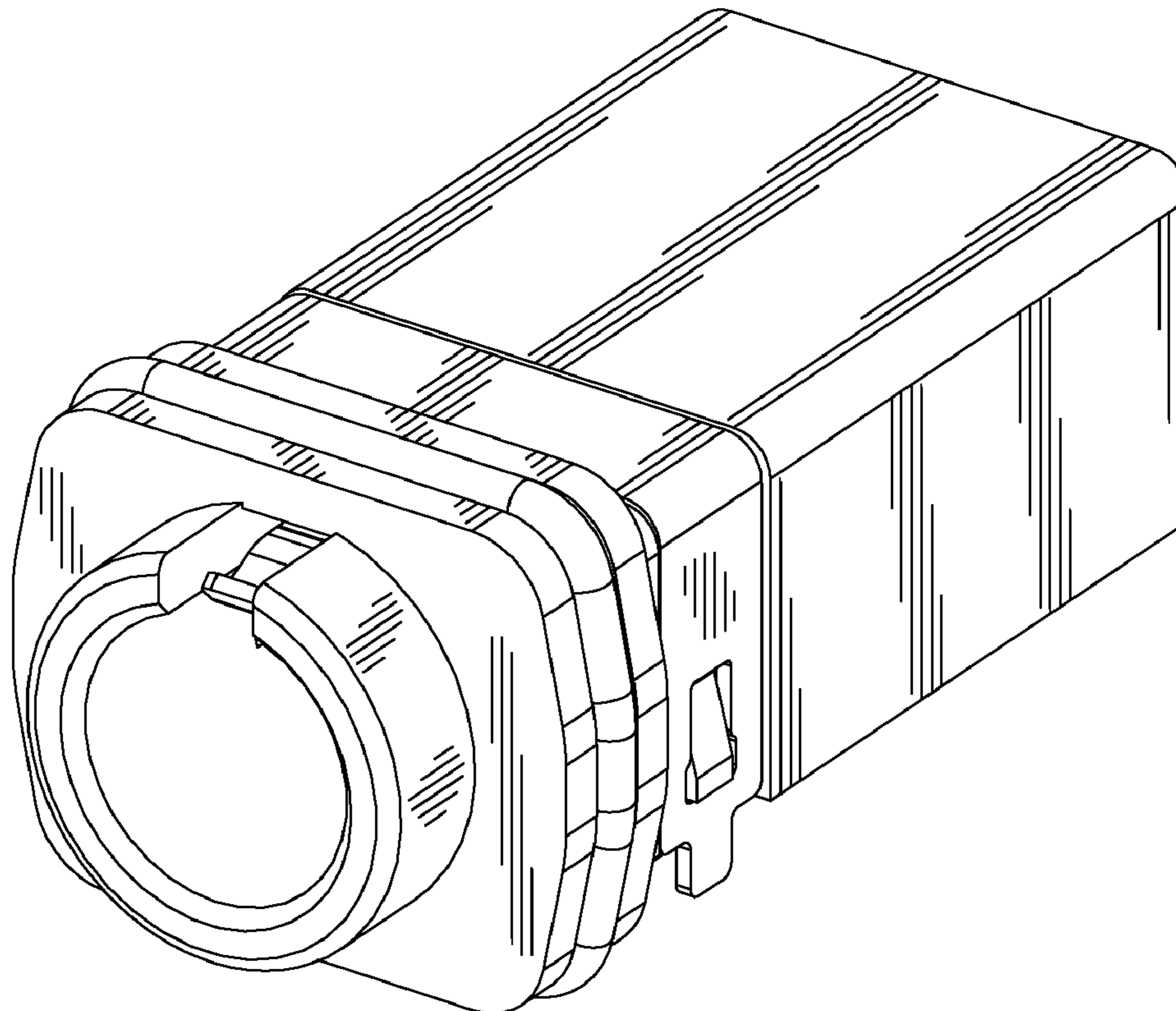
(57) **CLAIM**

The ornamental design for an audio jack connector, as shown and described.

DESCRIPTION

FIG. 1 is a front, top, and right side perspective view of an audio jack connector showing my new design; FIG. 2 is a front elevational view thereof; FIG. 3 is a rear elevational view thereof; FIG. 4 is a left side elevational view thereof; FIG. 5 is a right side elevational view thereof; FIG. 6 is a top plan view thereof; and, FIG. 7 is a bottom plan view thereof. The broken lines in the drawing figures are used to define unclaimed subject matter and form no part of the claimed design.

1 Claim, 7 Drawing Sheets



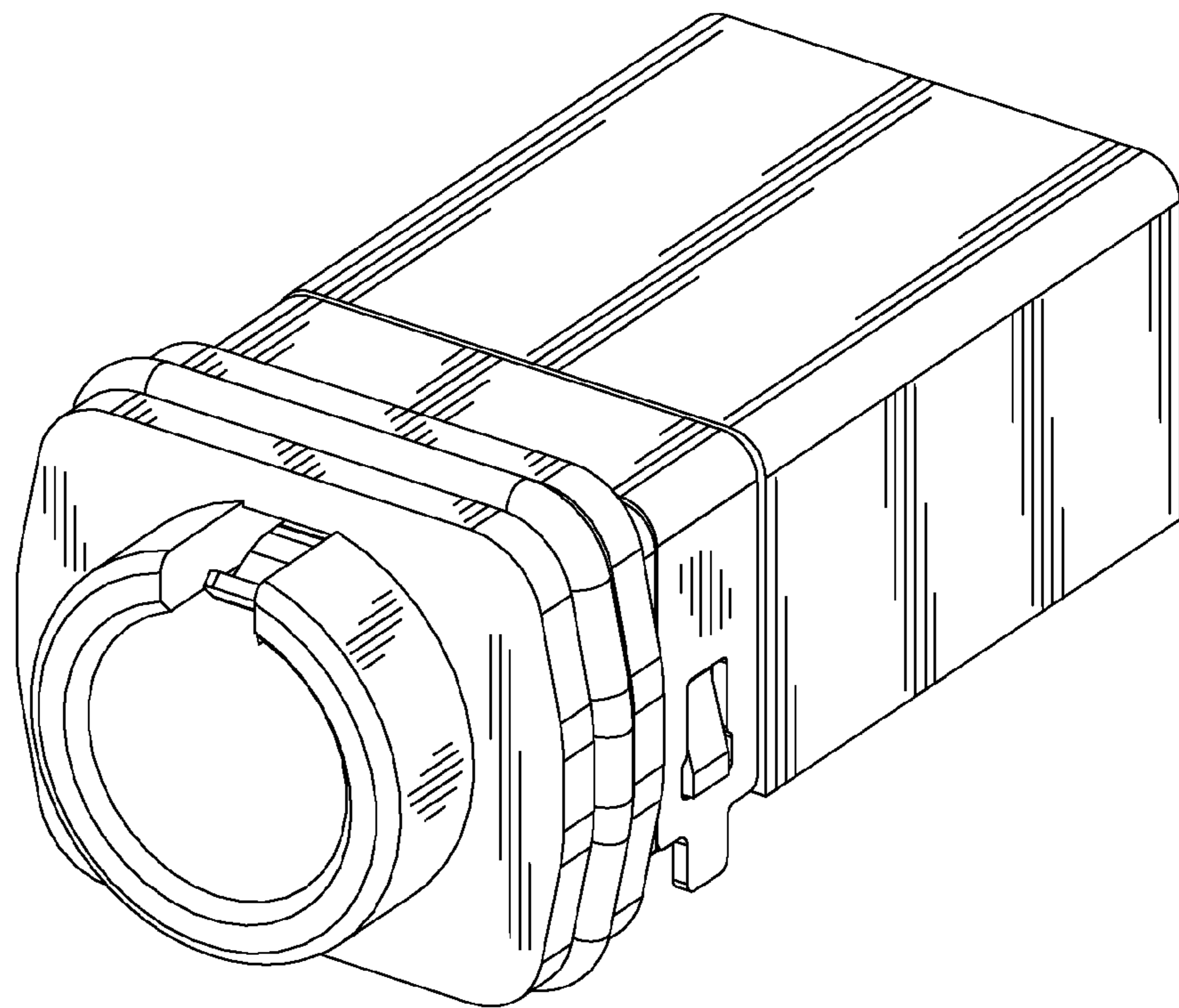


FIG. 1

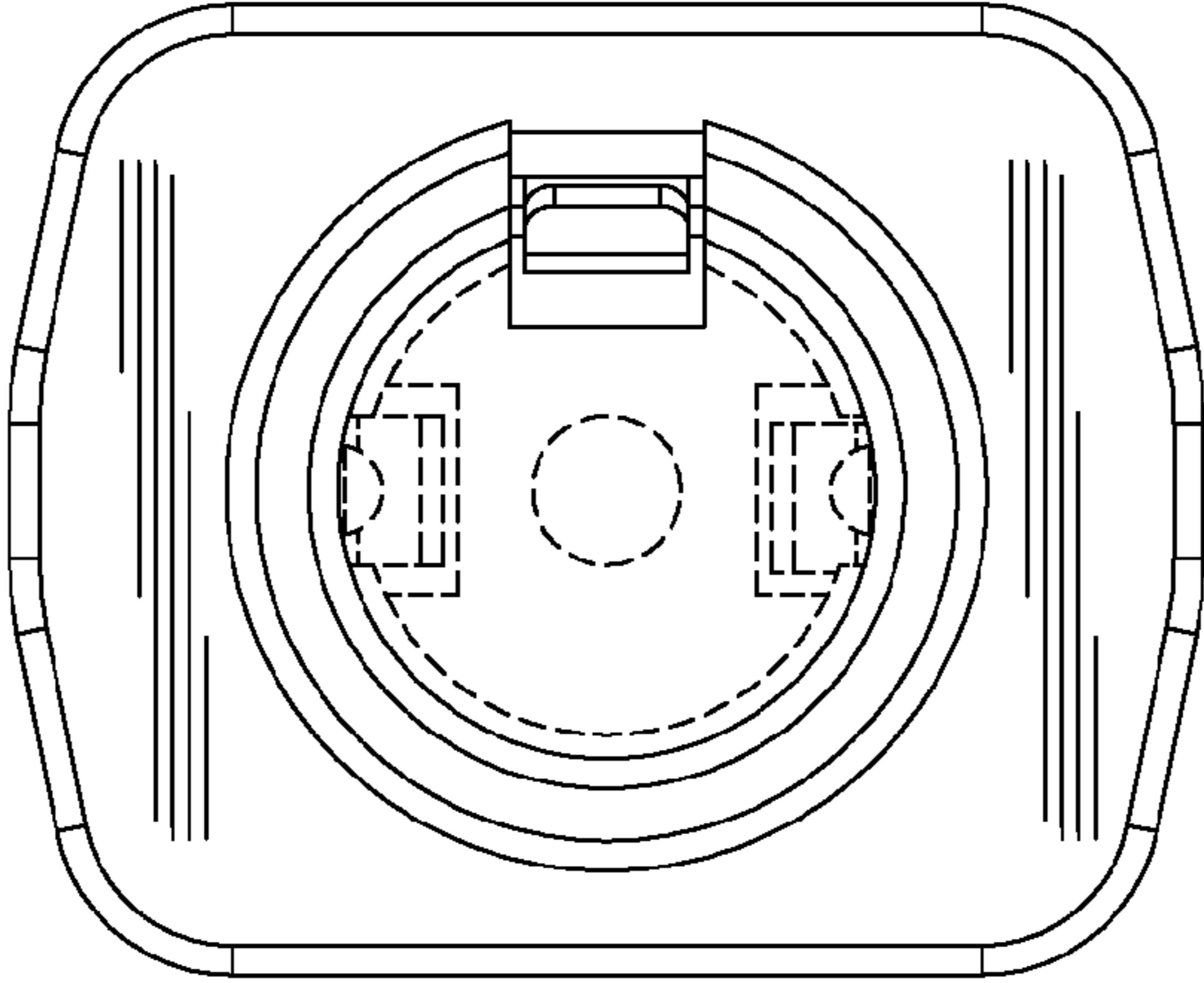


FIG. 2

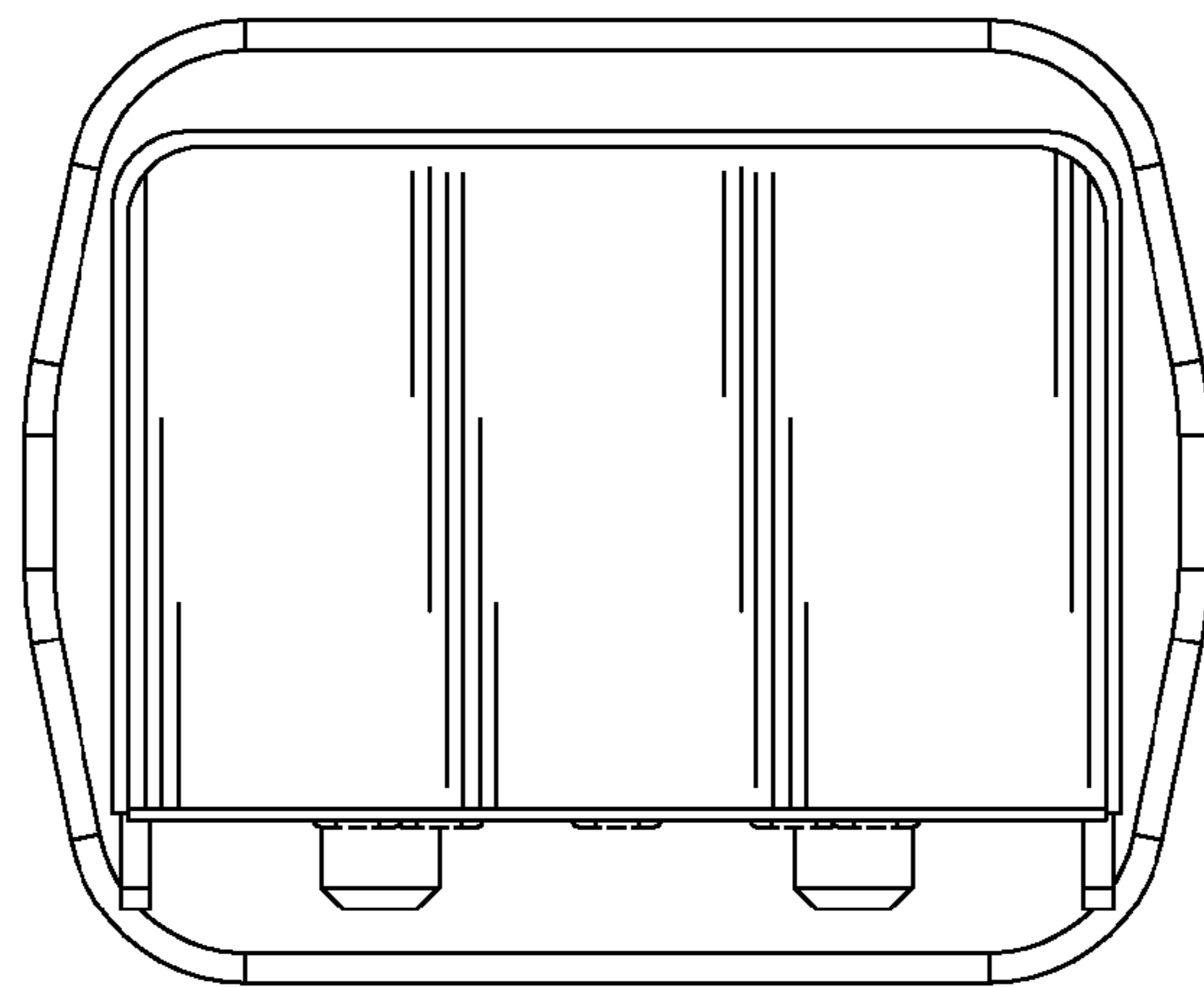


FIG. 3

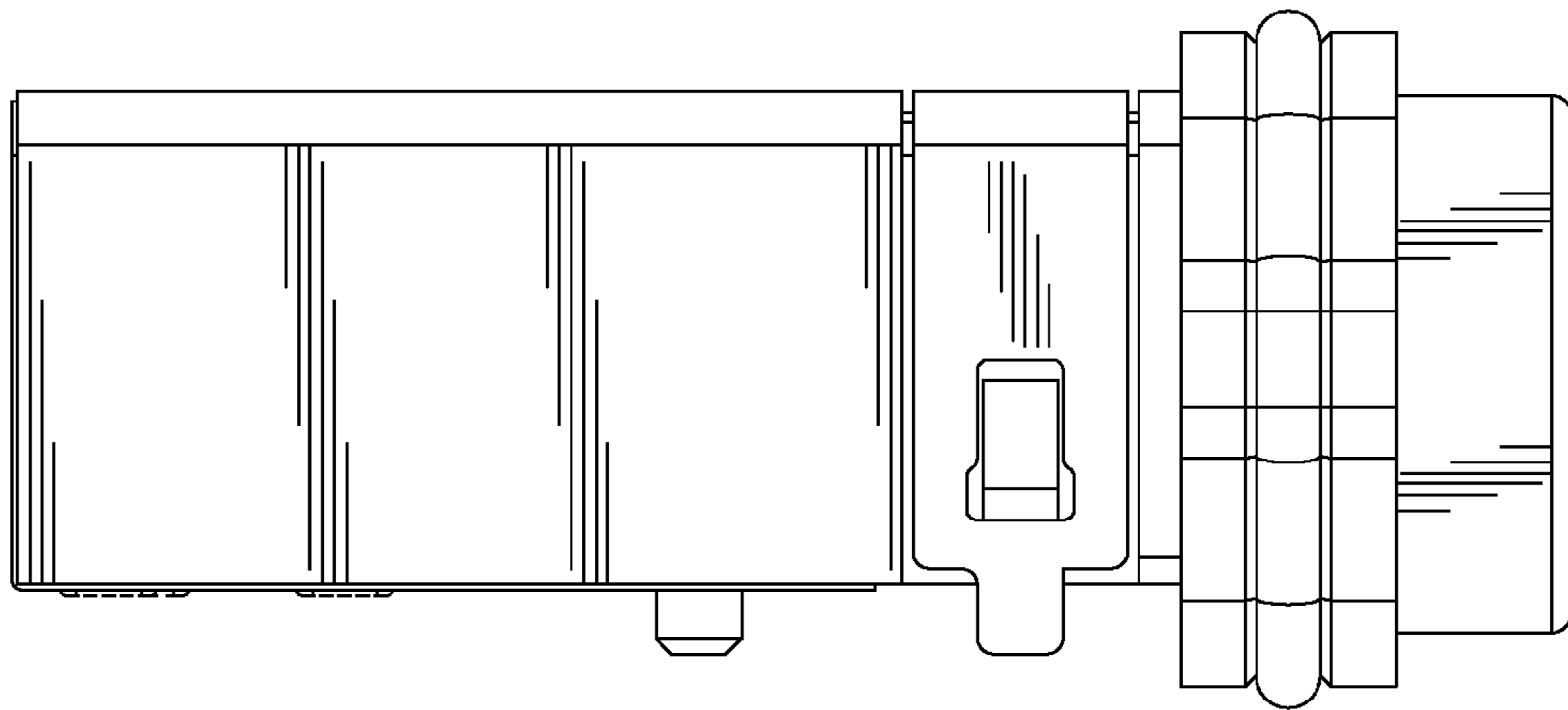


FIG. 4

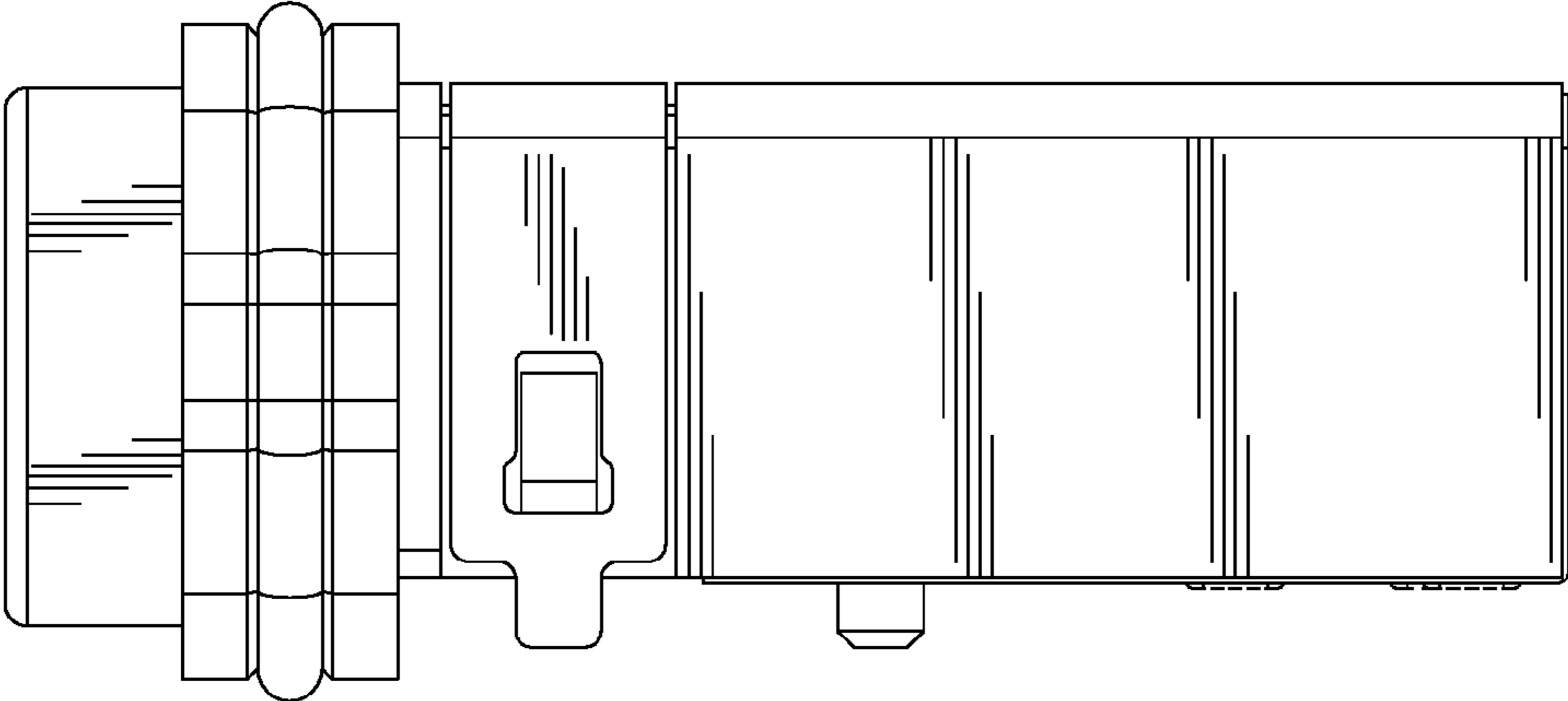


FIG. 5

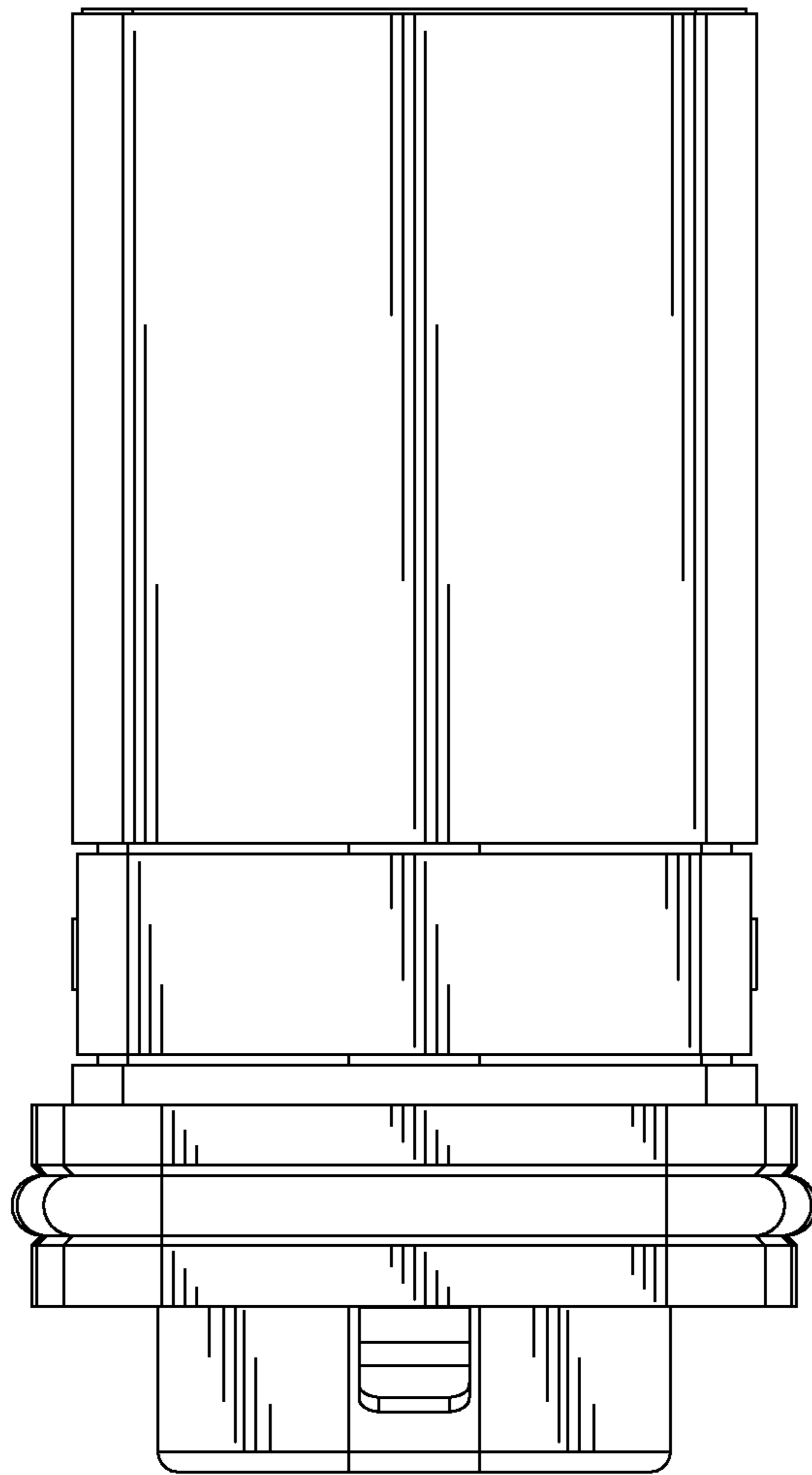


FIG. 6

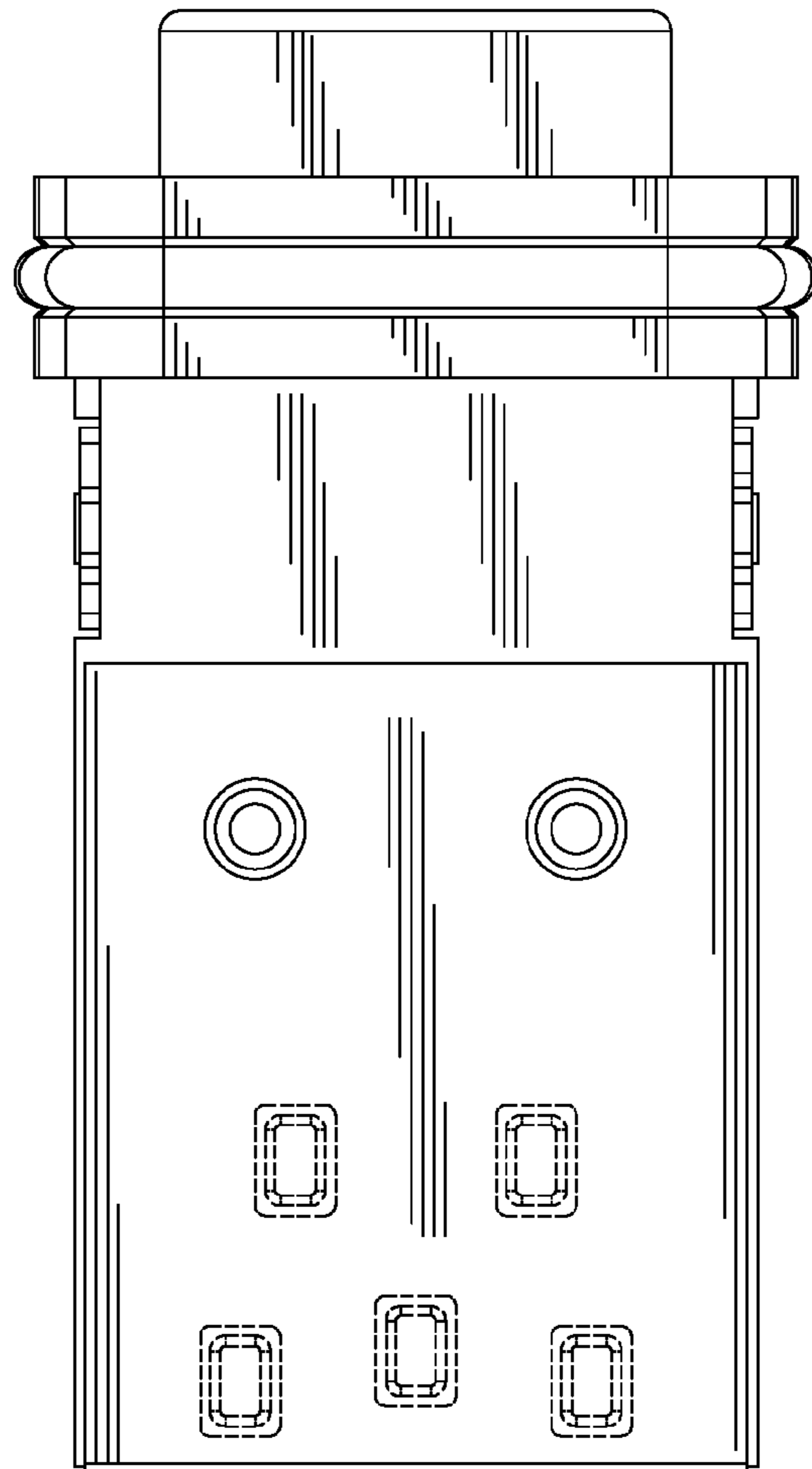


FIG. 7