

US00D696629S

(12) **United States Design Patent**  
**Abel et al.**

(10) **Patent No.:** **US D696,629 S**

(45) **Date of Patent:** **\*\* \*Dec. 31, 2013**

(54) **LARGE BATTERY PACK FOR POWERED AIR PURIFYING RESPIRATOR (PAPR)**

(75) Inventors: **Nathan A. Abel**, Minneapolis, MN (US);  
**David M. Blomberg**, Lino Lakes, MN (US)

(73) Assignee: **3M Innovative Properties Company**,  
St. Paul, MN (US)

(\* ) Notice: This patent is subject to a terminal disclaimer.

(\*\*) Term: **14 Years**

(21) Appl. No.: **29/413,419**

(22) Filed: **Feb. 15, 2012**

(51) **LOC (9) Cl.** ..... **13-02**

(52) **U.S. Cl.**  
USPC ..... **D13/119**

(58) **Field of Classification Search**  
USPC ..... D13/102–108, 110, 118–121, 184, 199;  
429/96–100, 163, 176  
See application file for complete search history.

(56) **References Cited**

**U.S. PATENT DOCUMENTS**

4,899,740	A	2/1990	Napolitano	
D481,007	S	* 10/2003	Takahashi	D13/103
D483,725	S	* 12/2003	Thompson et al.	D13/184
D494,541	S	* 8/2004	Hriscu et al.	D13/110
D543,955	S	* 6/2007	Hayes et al.	D13/184
D581,866	S	* 12/2008	Choi et al.	D13/103
D600,640	S	* 9/2009	Stein et al.	D13/103
D632,375	S	2/2011	Curran	

D640,699	S	* 6/2011	McParland	D14/434
D646,379	S	10/2011	Huh	
2009/0314295	A1	12/2009	Hatmaker	
2011/0126713	A1	6/2011	Legare	

**OTHER PUBLICATIONS**

U.S. Appl. No. 29/413,410 to Abel et al., filed Feb. 15, 2012, entitled *Small Battery Pack for Powered Air Purifying Respirator (PAPR)*.  
U.S. Appl. No. 29/413,413 to Blomberg et al., filed Feb. 15, 2012, entitled *Battery Pack for Powered Air Purifying Respirator (PAPR) Having Upper Surface*.

\* cited by examiner

*Primary Examiner* — Rosemary K Tarcza

(74) *Attorney, Agent, or Firm* — Melanie G. Gover

(57) **CLAIM**

The ornamental design for a large battery pack for powered air purifying respirator (PAPR), as shown and described.

**DESCRIPTION**

FIG. 1 is a front perspective view showing the new design for a large battery pack for powered air purifying respirator (PAPR);

FIG. 2 is a front view thereof;

FIG. 3 is a back view thereof;

FIG. 4 is a top view thereof;

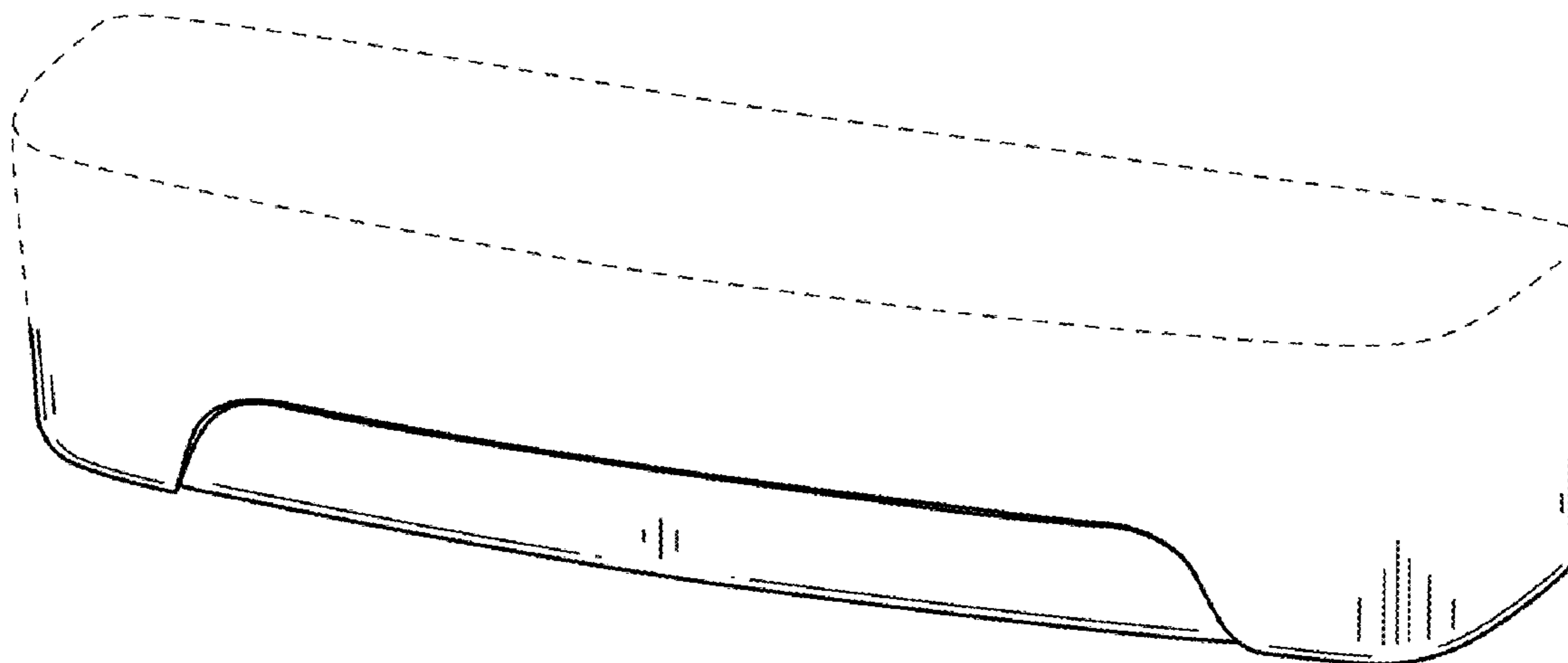
FIG. 5 is a bottom view thereof;

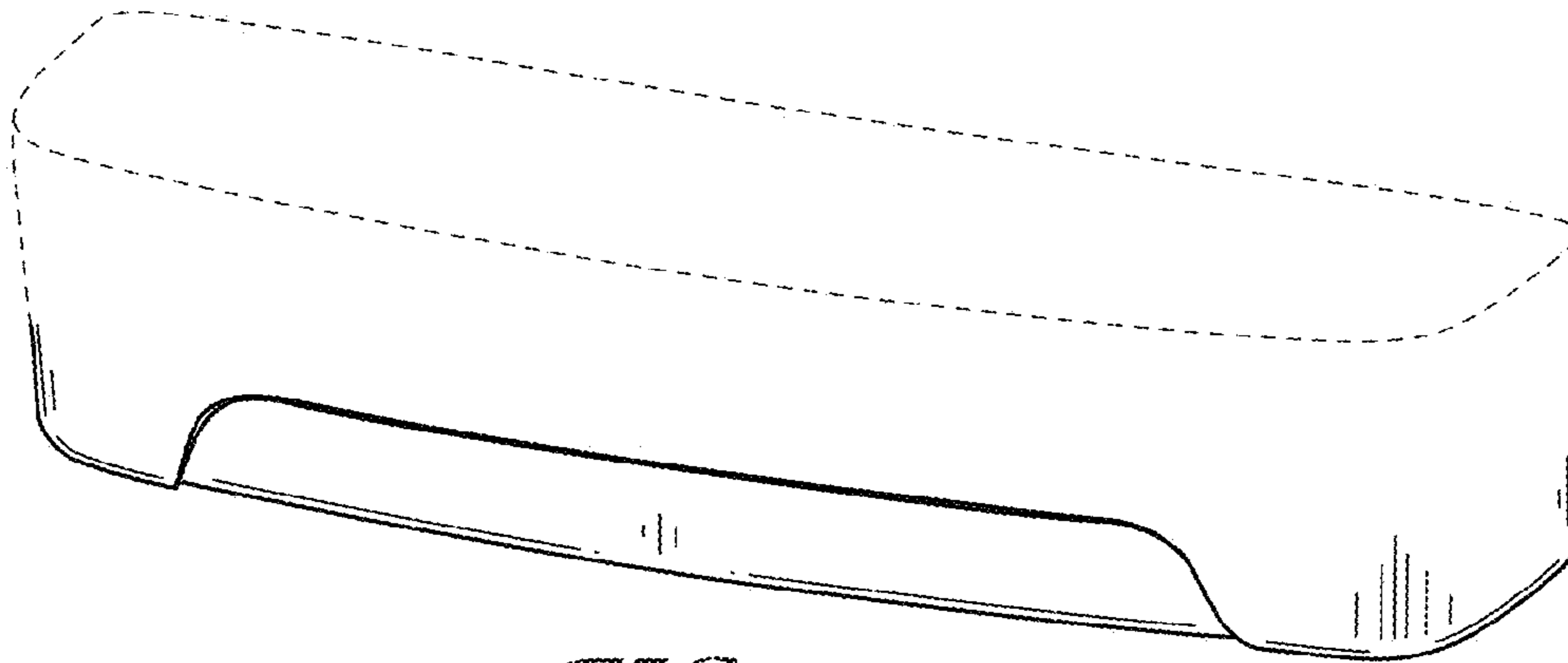
FIG. 6 is a left view thereof; and,

FIG. 7 is a right view thereof.

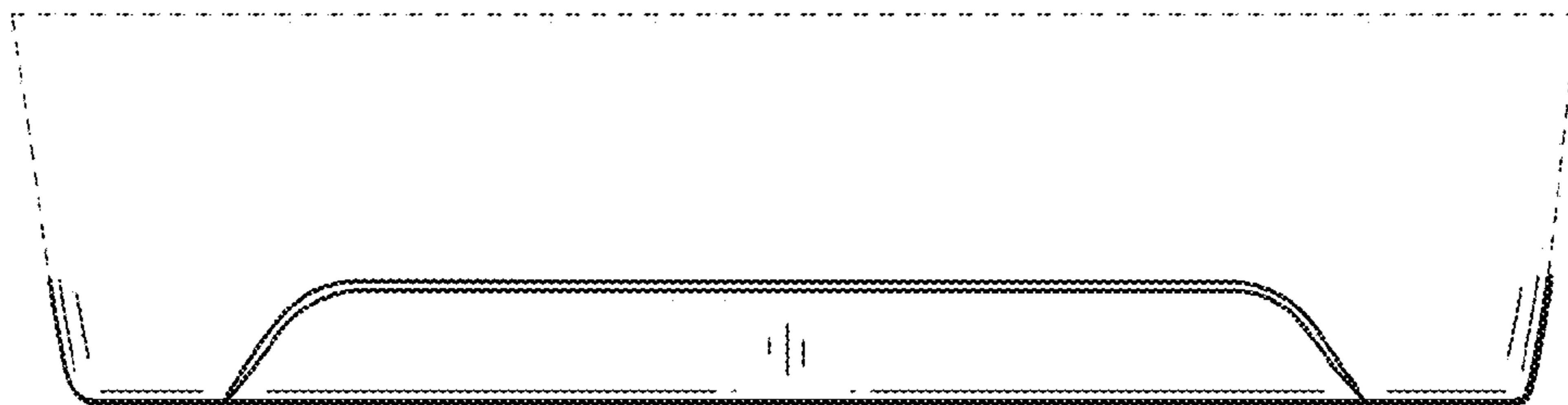
The broken line showing forms no part of the claimed design, and the shading is provided to illustrate contour only and is not an indication of texture, gloss, etc.

**1 Claim, 2 Drawing Sheets**

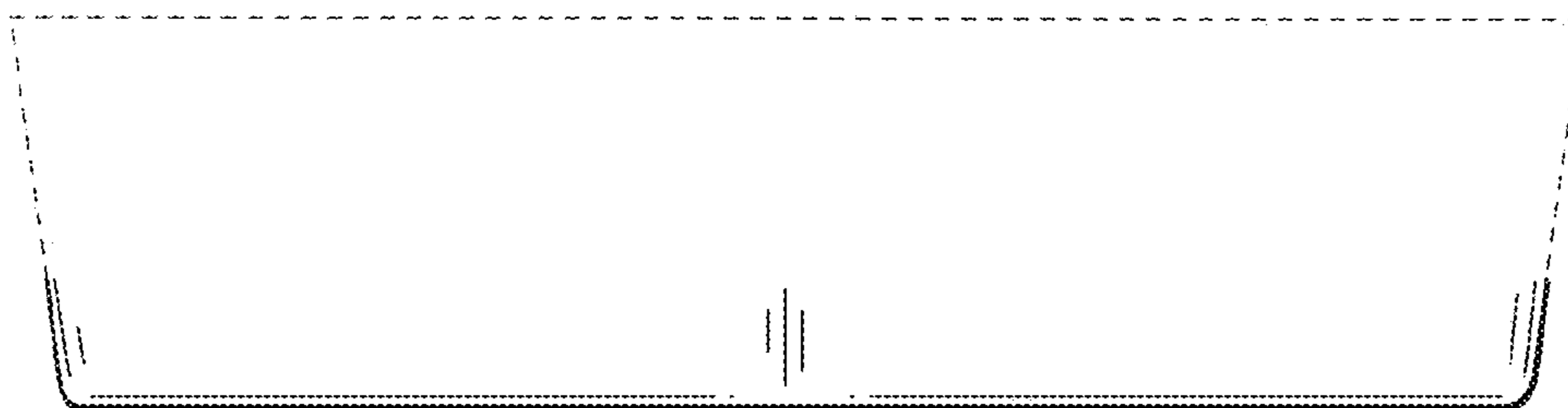




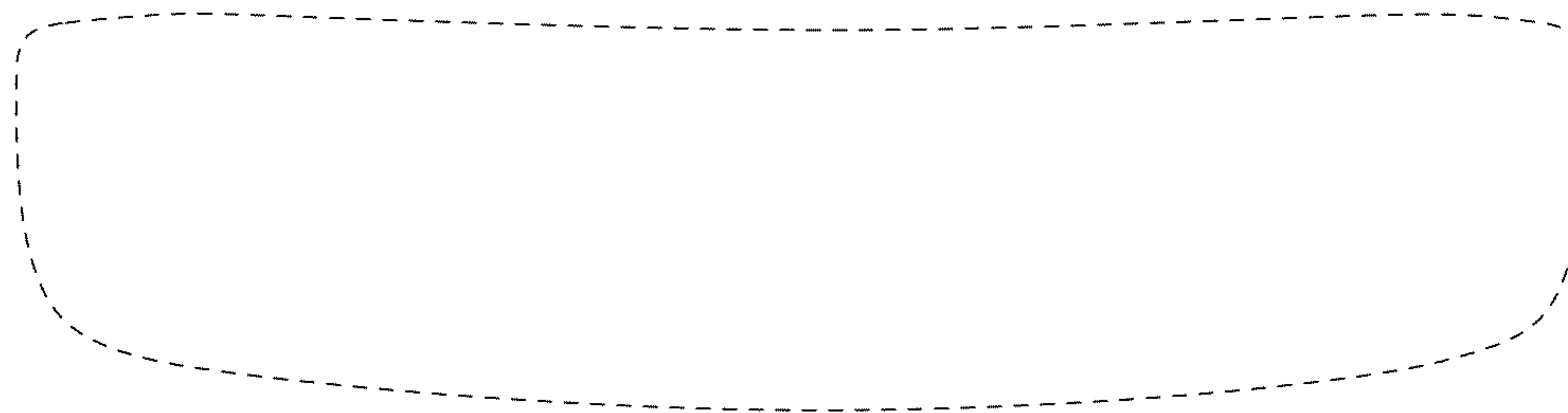
*FIG. 1*



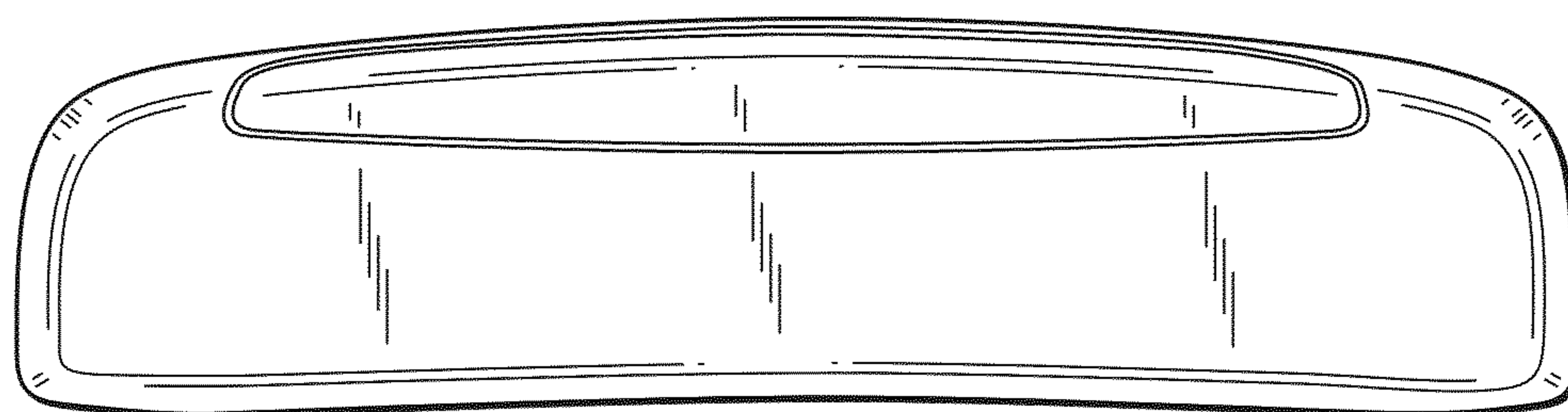
*FIG. 2*



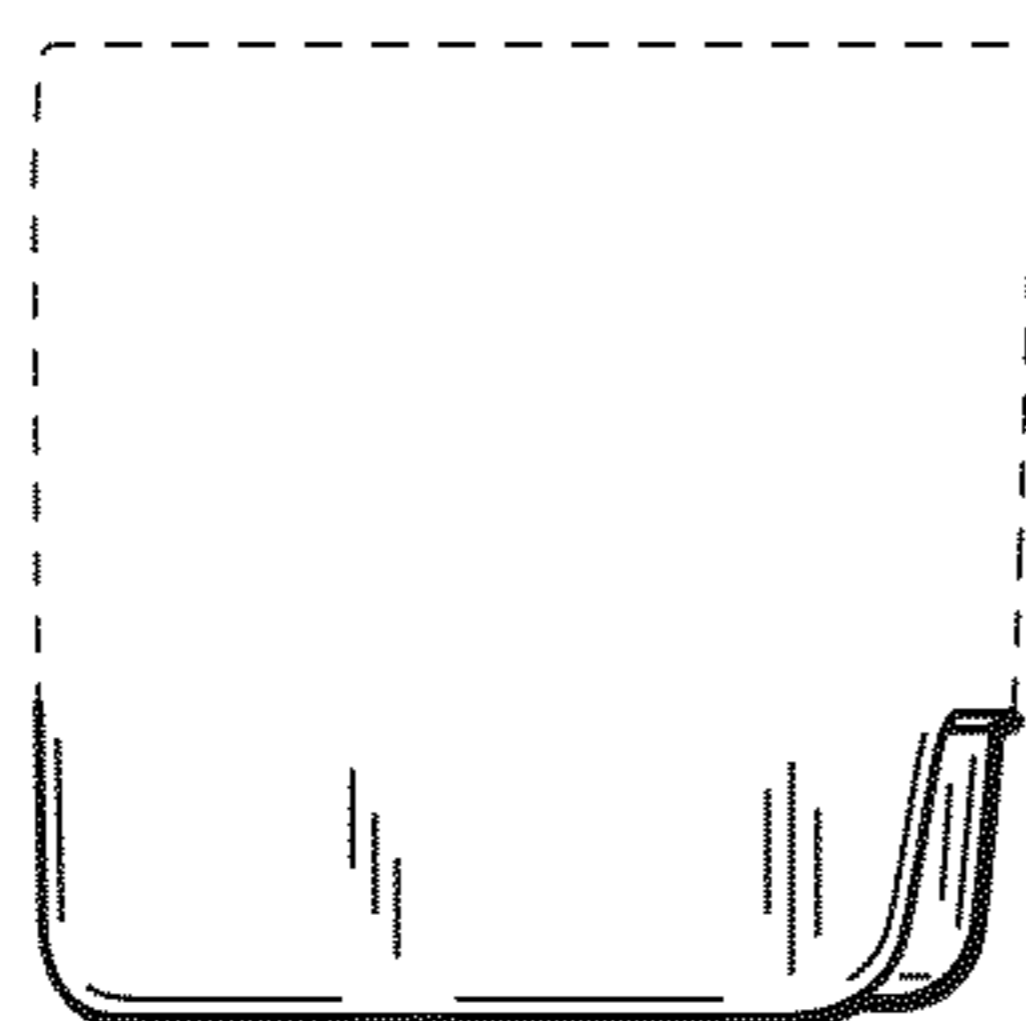
*FIG. 3*



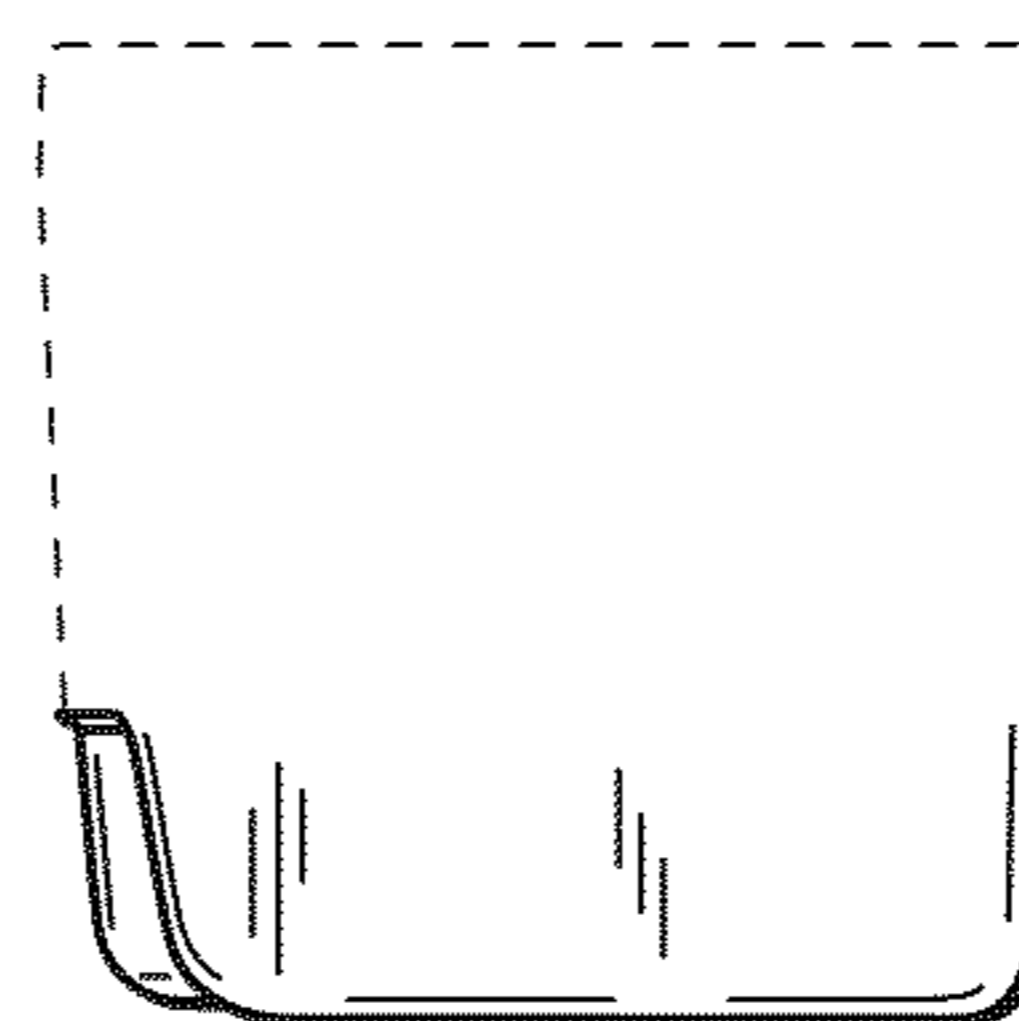
*FIG. 4*



*FIG. 5*



*FIG. 6*



*FIG. 7*