



US00D696622S

(12) **United States Design Patent**
Buresh et al.

(10) **Patent No.:** **US D696,622 S**
(45) **Date of Patent:** **** Dec. 31, 2013**

(54) **TIRE TREAD**

(75) Inventors: **Patrick Jon Buresh**, Bend, OR (US);
Derick Lonell Harris, Charlotte, NC
(US); **Matthew D. Beres, Jr.**, Greer, SC
(US)

(73) Assignees: **Compagnie Generale des
Etablissements Michelin**,
Clermont-Ferrand (FR); **Michelin
Recherche et Technique S.A.**,
Granges-Paccot (CH)

(**) Term: **14 Years**

(21) Appl. No.: **29/412,174**

(22) Filed: **Jan. 31, 2012**

(51) **LOC (9) Cl.** **12-15**

(52) **U.S. Cl.**
USPC **D12/523**

(58) **Field of Classification Search**
USPC D12/500–532, 900–901;
152/209.1–209.9, 209.11–209.19,
152/209.21–209.28, 455
See application file for complete search history.

(56) **References Cited**

U.S. PATENT DOCUMENTS

D390,518 S	2/1998	White et al.	
D390,519 S	2/1998	White	
D402,938 S *	12/1998	Villamizar	D12/523
D559,767 S *	1/2008	Graas et al.	D12/521
D560,595 S *	1/2008	Bindner et al.	D12/521
D586,724 S *	2/2009	Seibert et al.	D12/519
D593,931 S *	6/2009	Fontaine et al.	D12/523
D597,474 S *	8/2009	Yamakawa et al.	D12/523
D609,627 S *	2/2010	Frappart et al.	D12/523

D644,593 S *	9/2011	Fontaine et al.	D12/523
D666,551 S *	9/2012	Schmidt-Zum Berge et al.	D12/523
D677,215 S *	3/2013	Nakamura	D12/523

OTHER PUBLICATIONS

Michelin Pilot Alpin PA2 tire, www.michelinman.com, at least as early as Jan. 27, 2012, 4 pages.
Michelin Pilot Exalto PE2 tire, www.michelinman.com, at least as early as Jan. 27, 2012, 3 pages.
Michelin Pilot Sport PS2 tire, www.michelinman.com, at least as early as Jan. 27, 2012, 4 pages.
Michelin Pilot Super Sport tire, www.michelinman.com, at least as early as Jan. 27, 2012, 4 pages.

* cited by examiner

Primary Examiner — Stacia Cadmus

(74) *Attorney, Agent, or Firm* — Dority & Manning PA

(57) **CLAIM**

The ornamental design for a tire tread, as shown and described.

DESCRIPTION

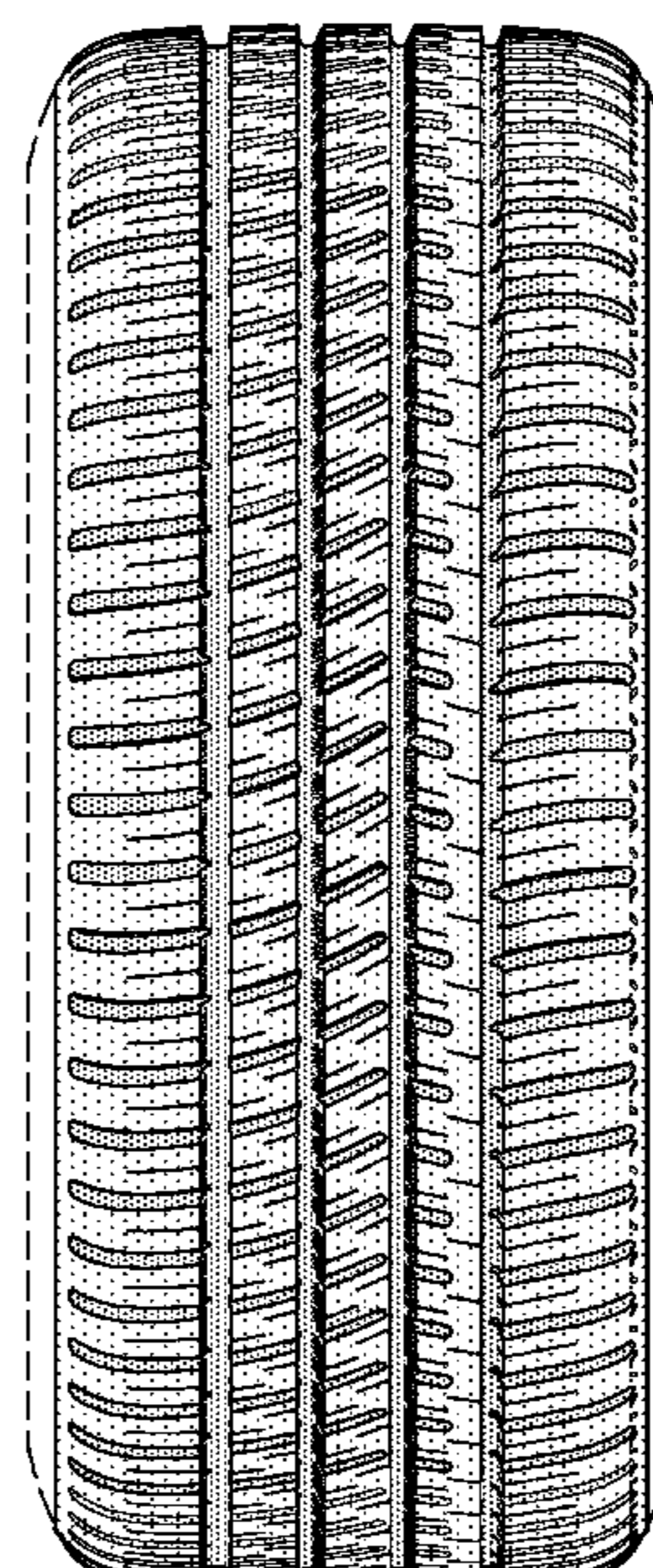
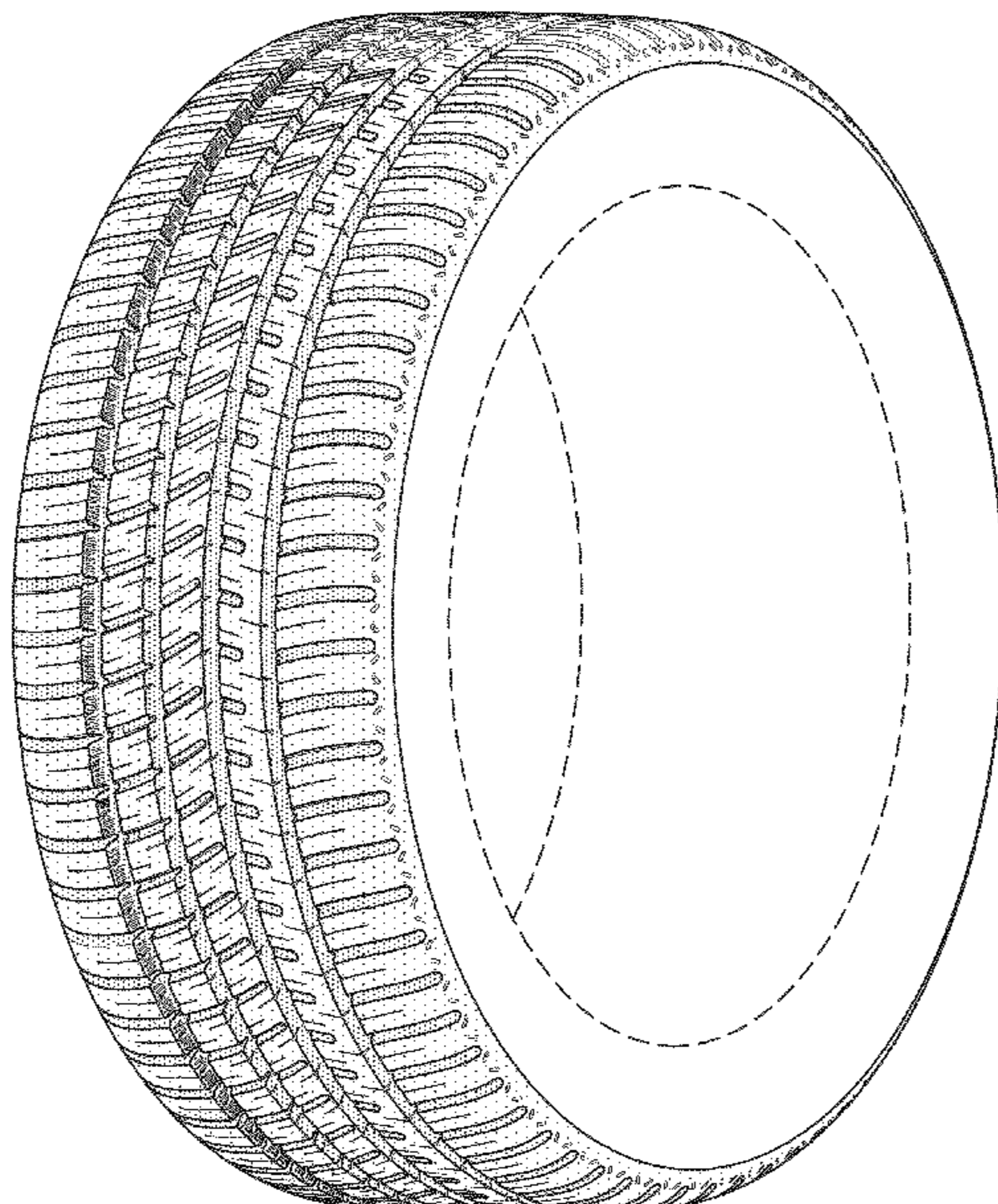
FIG. 1 is a perspective view of a tire tread showing our new design, it being understood that the tread pattern repeats circumferentially throughout the outer circumference and shoulder of the tire, the opposite side perspective being identical thereto;

FIG. 2 is a front elevation view thereof;

FIG. 3 is a side elevation view of the right side thereof; and, FIG. 4 is a side elevation view of the left side thereof.

In the drawings, the dark stippled surface shading represents the recessed groove portions of the tire tread having a depth as best illustrated along the top and bottom edges of FIG. 2. In the drawings, the broken line disclosure of the tire sidewall and inner bead depicts environmental structure and forms no part of the claimed design.

1 Claim, 4 Drawing Sheets



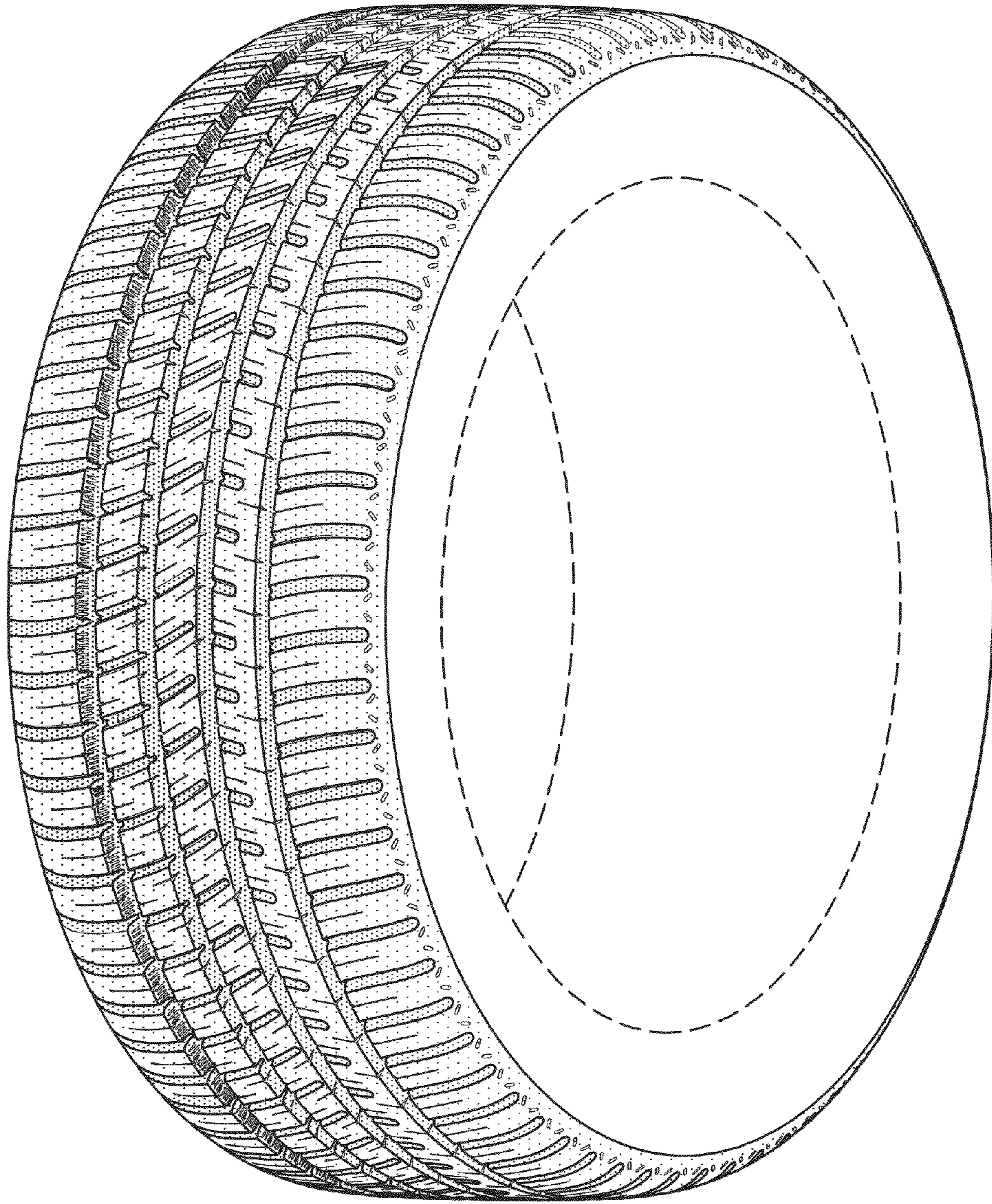


FIG. -1-

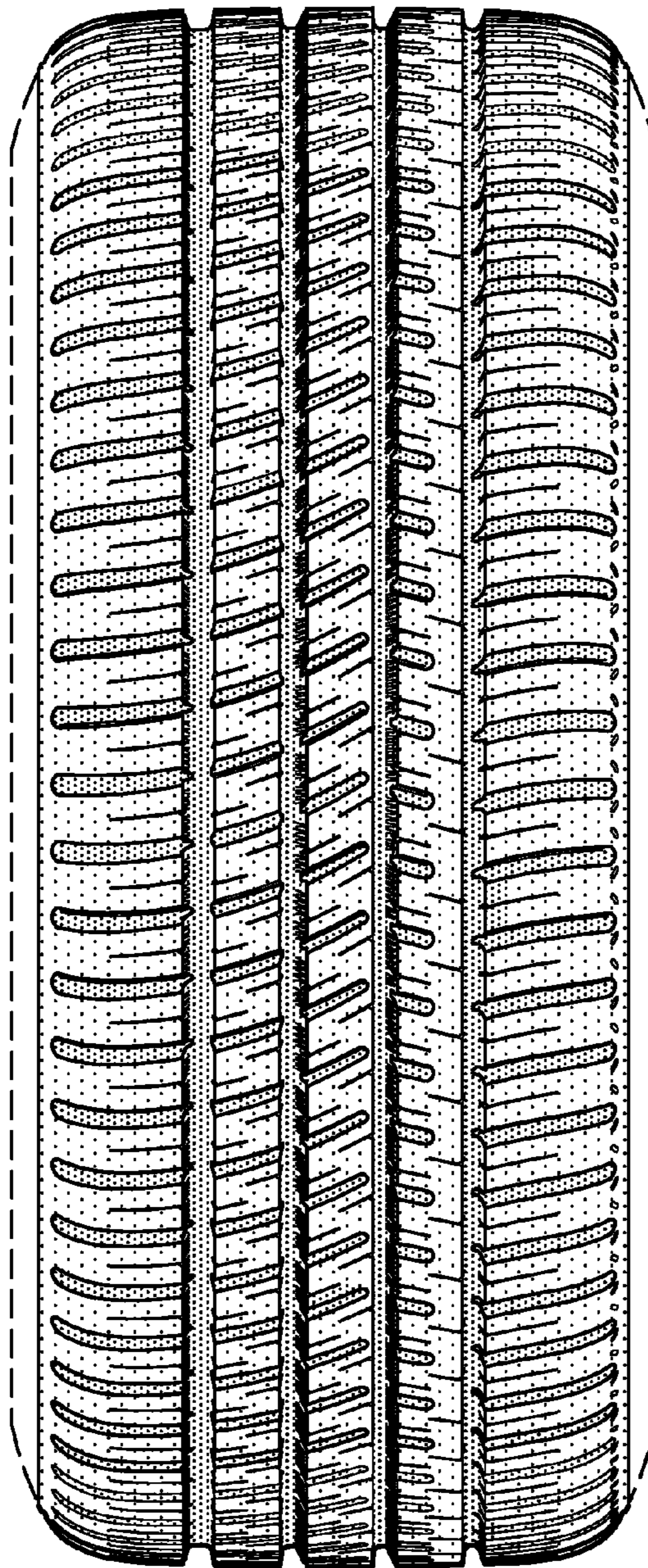


FIG. -2-

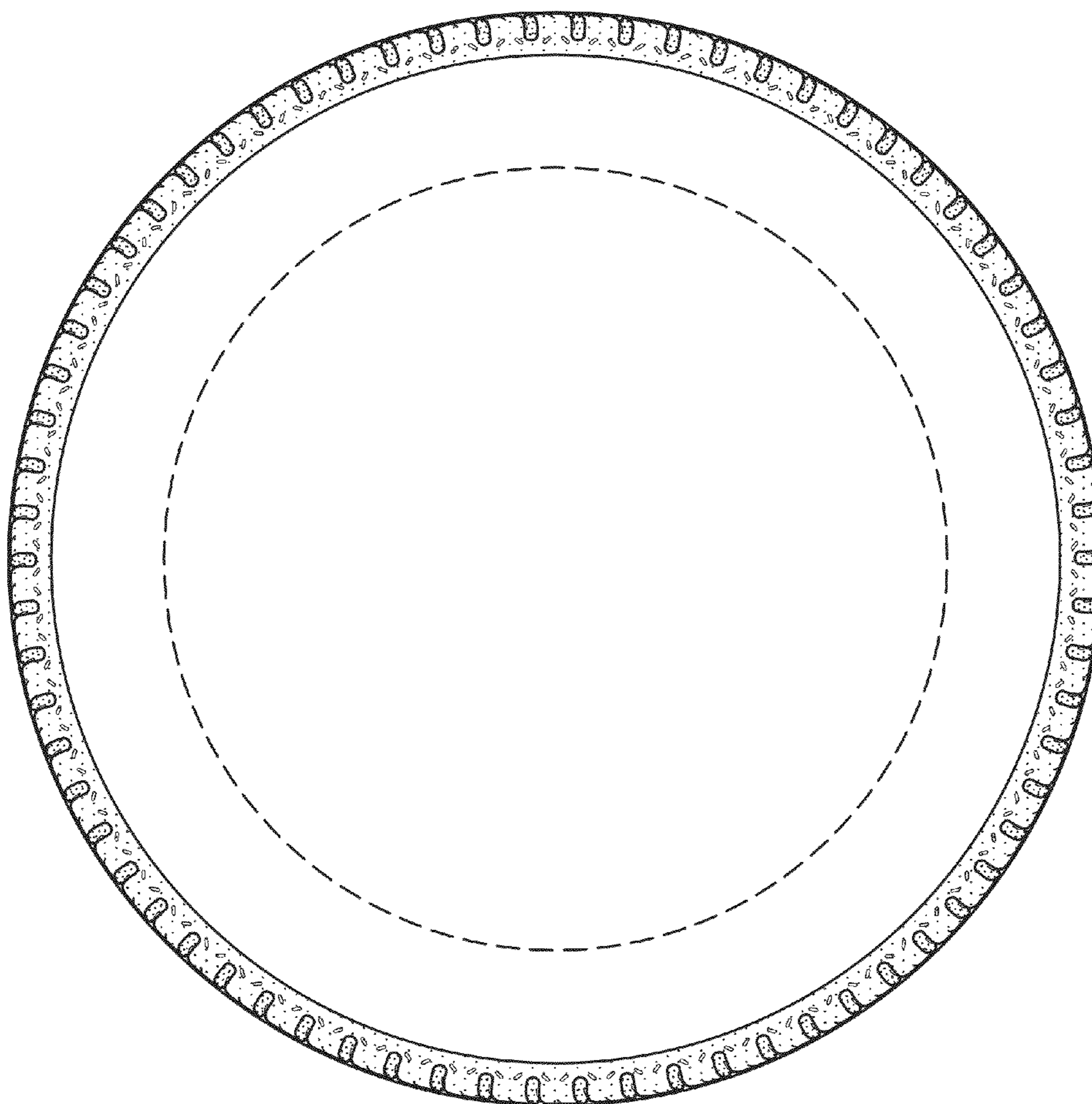


FIG. -3-

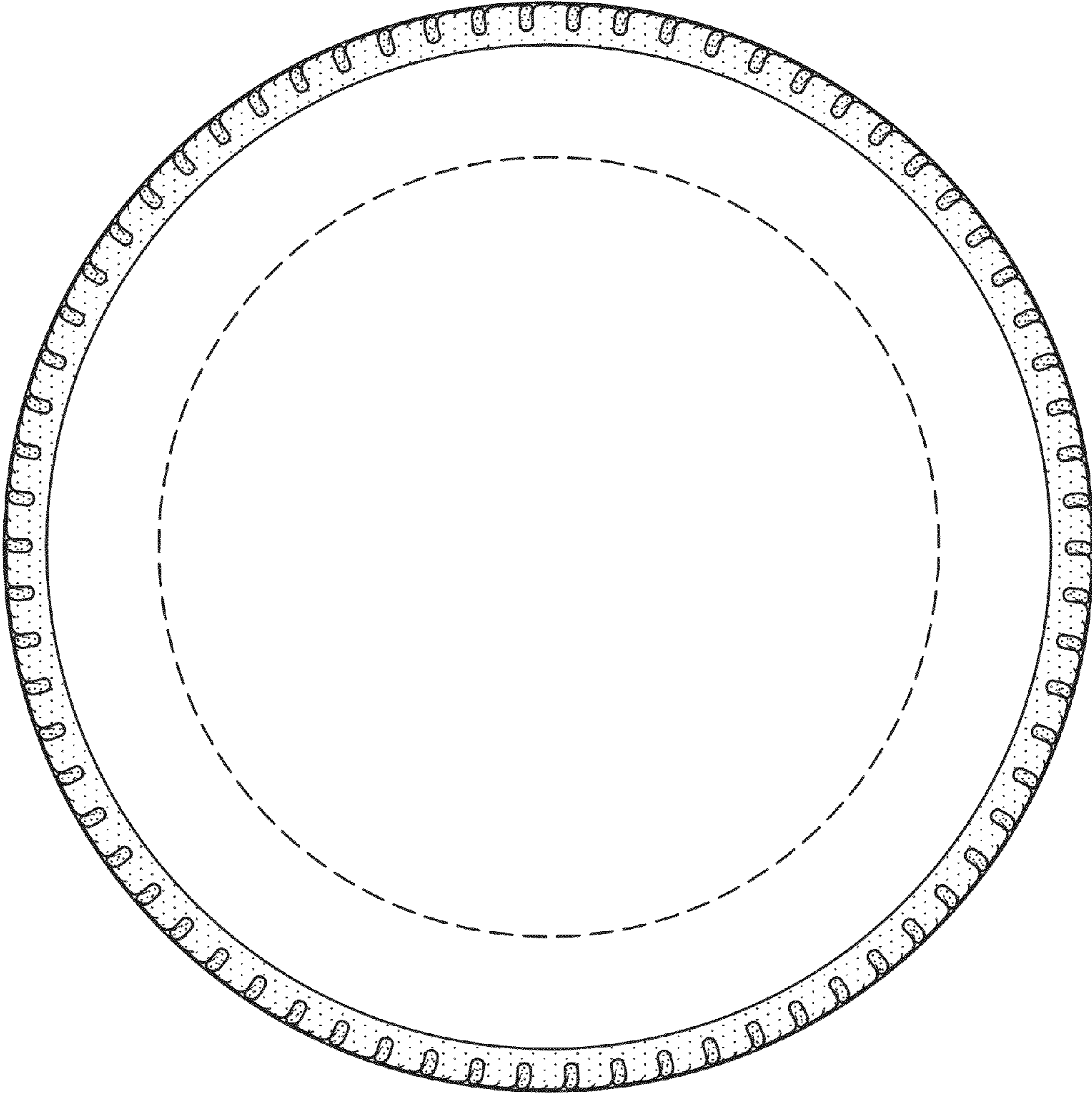


FIG. -4-