



US00D696618S

(12) **United States Design Patent**
Wang

(10) **Patent No.:** **US D696,618 S**

(45) **Date of Patent:** **** Dec. 31, 2013**

(54) **TILT-ROTOR**

(75) Inventor: **James Wang**, Samarate (IT)

(73) Assignee: **Agustawestland S.p.A.**, Samarate (IL)

(**) Term: **14 Years**

(21) Appl. No.: **29/412,072**

(22) Filed: **Jan. 30, 2012**

(30) **Foreign Application Priority Data**

Jul. 29, 2011 (EM) 1287205

(51) **LOC (9) Cl.** **12-07**

(52) **U.S. Cl.**
USPC **D12/326; D12/330**

(58) **Field of Classification Search**
USPC D12/319, 326, 327, 328, 329, 331-334,
D12/337, 338, 339, 344, 345, 330; 244/2, 5,
244/6, 7 A, 7 C, 8, 12.1, 12.3, 12.4, 17.11,
244/17.19, 17.23, 17.25, 17.27, 99.1, 99.11,
244/119, 117 R, 118.5, 60; D21/430, 442,
D21/447, 449, 450, 451; 446/230, 231, 232
See application file for complete search history.

(56) **References Cited**

U.S. PATENT DOCUMENTS

D162,517 S * 3/1951 Burnelli D12/335
D190,534 S * 6/1961 Smolinski D12/330

(Continued)

Primary Examiner — Caron D Veynar

Assistant Examiner — Martie K Holtje

(74) *Attorney, Agent, or Firm* — Ohlandt Greeley Ruggiero
& Perle L.L.P.

(57) **CLAIM**

The ornamental design for a tilt-rotor, as shown and described.

DESCRIPTION

FIG. 1 is a front, perspective view of the tilt-rotor according to a first embodiment of the present design being used in a first mode;

FIG. 2 is a front view of the tilt-rotor of FIG. 1;

FIG. 3 is a left side view of the tilt-rotor of FIG. 1, the right side being a mirror image thereof;

FIG. 4 is a rear view of the tilt-rotor of FIG. 1; and

FIG. 5 is a top view of the tilt-rotor of FIG. 1.

FIG. 6 is a front, perspective view of the tilt-rotor according to the first embodiment of the present design being used in a second mode;

FIG. 7 shows a front view of the tilt-rotor of FIG. 6;

FIG. 8 shows a left side view of the tilt-rotor of FIG. 6, the right side being a mirror image thereof;

FIG. 9 shows a rear view of the tilt-rotor of FIG. 6; and

FIG. 10 shows a top view of the tilt-rotor of FIG. 6.

FIG. 11 is a front, perspective view of the tilt-rotor according to a second embodiment of the present design being used in first mode;

FIG. 12 shows a front view of the tilt-rotor of FIG. 11;

FIG. 13 shows a left side view of the tilt-rotor of FIG. 11, the right side being a mirror image thereof;

FIG. 14 shows a rear view of the tilt-rotor of FIG. 11; and

FIG. 15 shows a top view of the tilt-rotor of FIG. 11.

FIG. 16 is a front, perspective view of the tilt-rotor according to the second embodiment of the present design being used in a second mode;

FIG. 17 shows a front view of the tilt-rotor of FIG. 16;

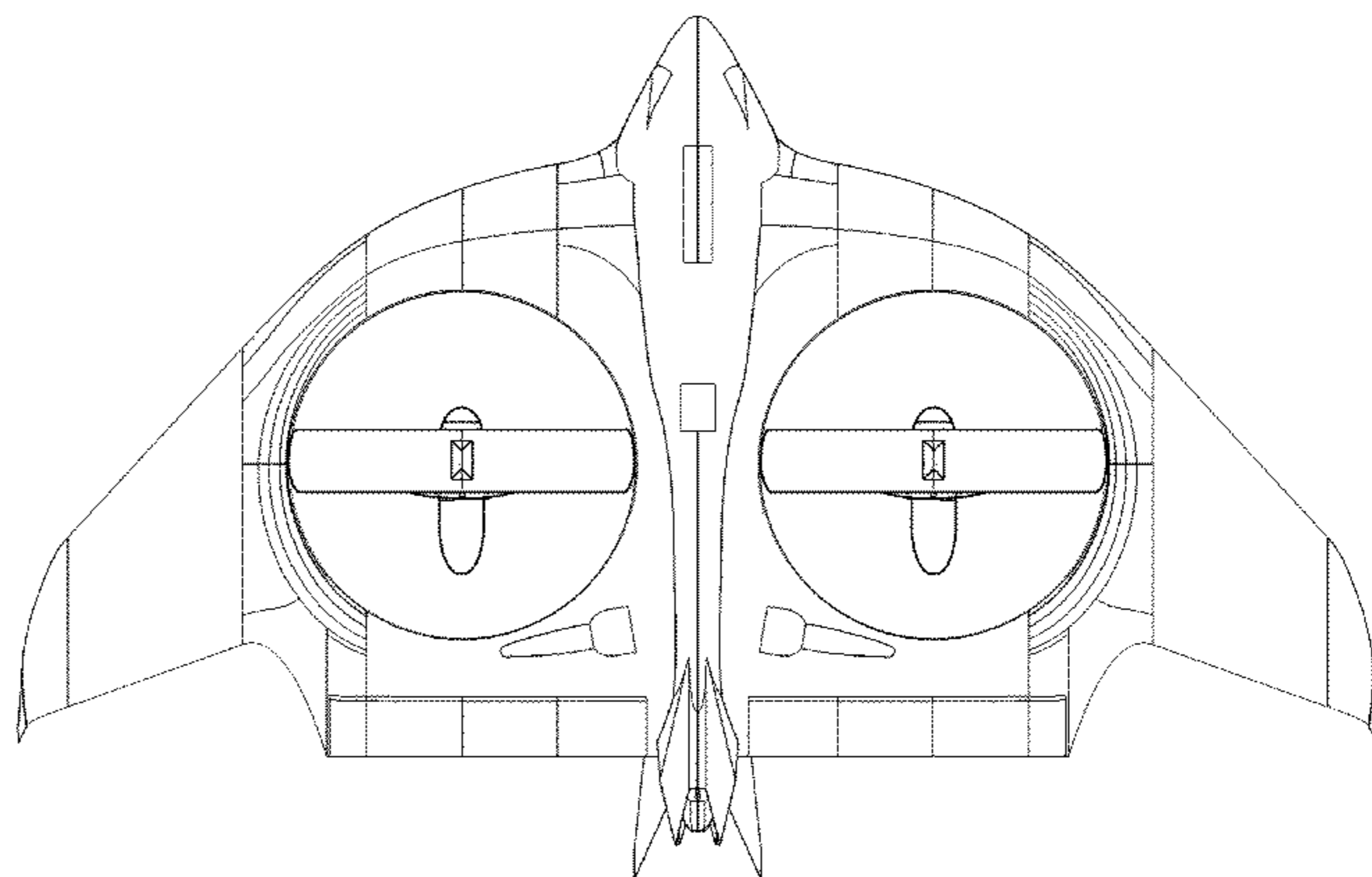
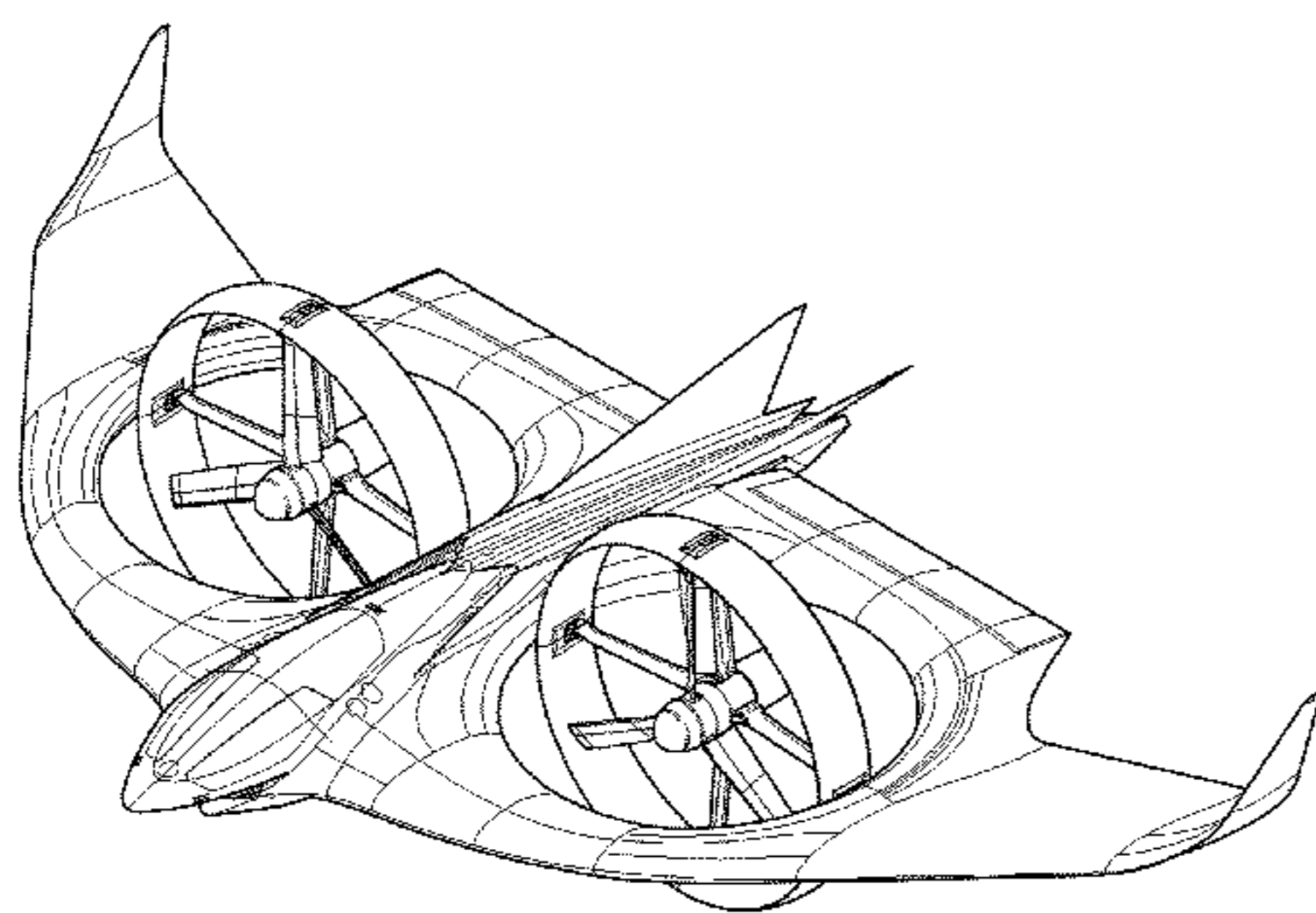
FIG. 18 shows a left side view of the tilt-rotor of FIG. 16, the right side being a mirror image thereof;

FIG. 19 shows a rear view of the tilt-rotor of FIG. 16; and,

FIG. 20 shows a top view of the tilt-rotor of FIG. 16.

The portions of the bottom of the tilt-rotor not shown in the drawings form no part of the claimed design.

1 Claim, 20 Drawing Sheets



(56)

References Cited

U.S. PATENT DOCUMENTS

D192,195 S * 2/1962 Stepniewski D12/330
3,335,977 A * 8/1967 Meditz 244/12.4
D231,976 S * 7/1974 Torelli D12/330
D274,512 S * 7/1984 Clifton D12/330
4,469,294 A * 9/1984 Clifton 244/12.3
4,828,203 A * 5/1989 Clifton et al. 244/12.3

D302,676 S * 8/1989 Clifton D12/326
5,141,176 A * 8/1992 Kress et al. 244/7 C
6,561,456 B1 * 5/2003 Devine 244/12.1
D489,315 S * 5/2004 Dauvergne D12/319
6,843,447 B2 * 1/2005 Morgan 244/12.3
D543,928 S * 6/2007 Sanders et al. D12/319
D592,582 S * 5/2009 Tamm et al. D12/319
D665,333 S * 8/2012 Oliver D12/326

* cited by examiner



FIG. 1

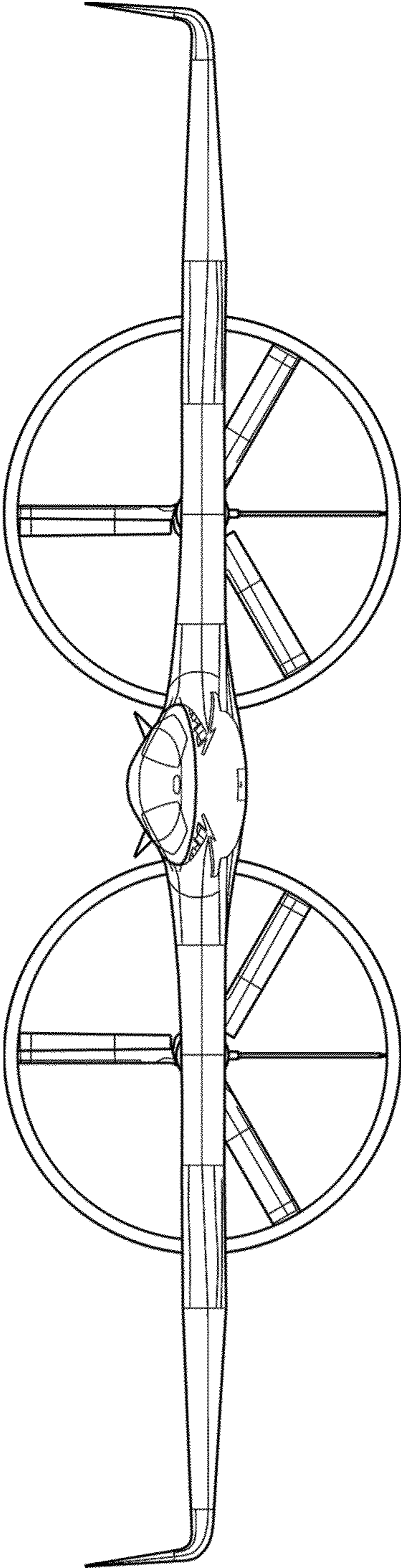


FIG. 2

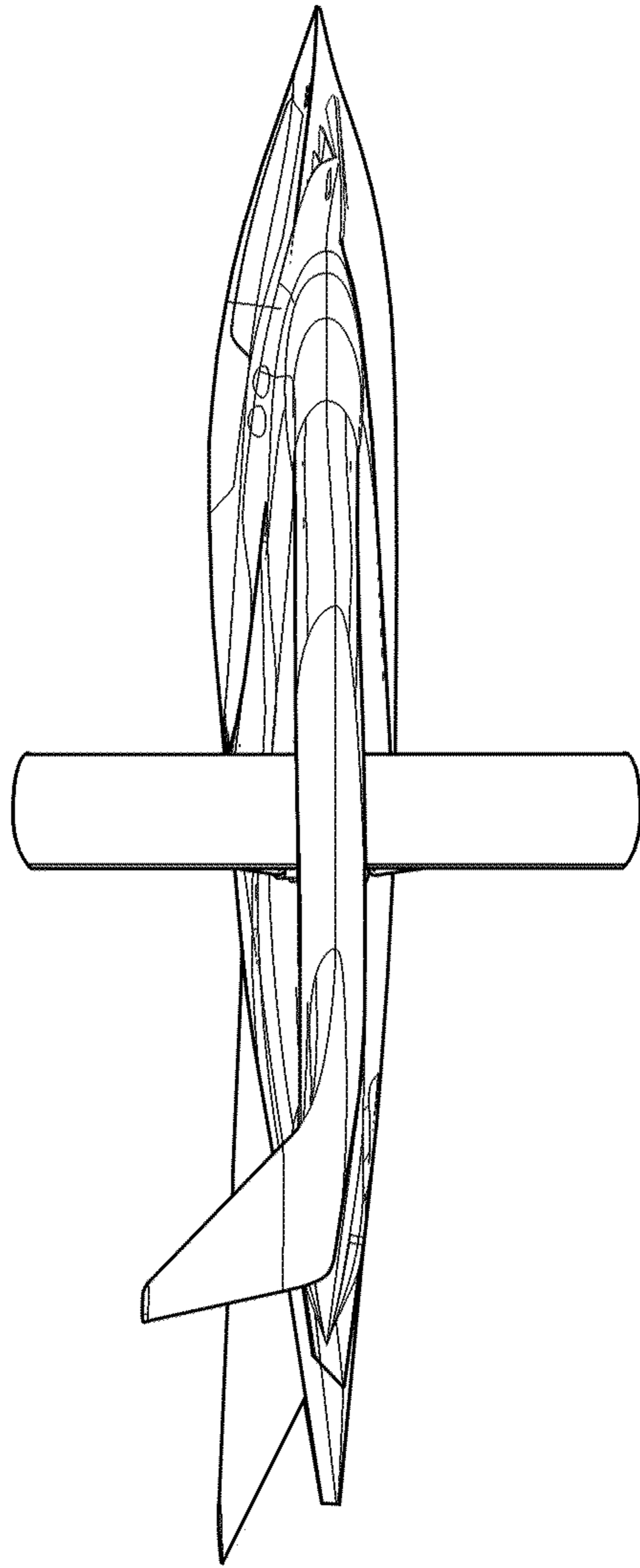


FIG. 3

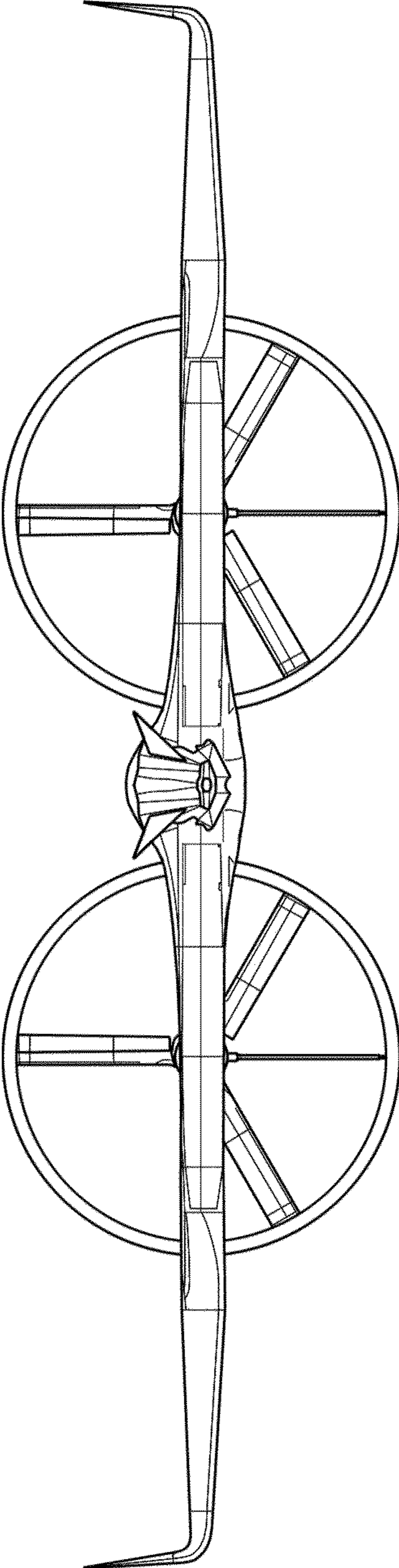


FIG. 4

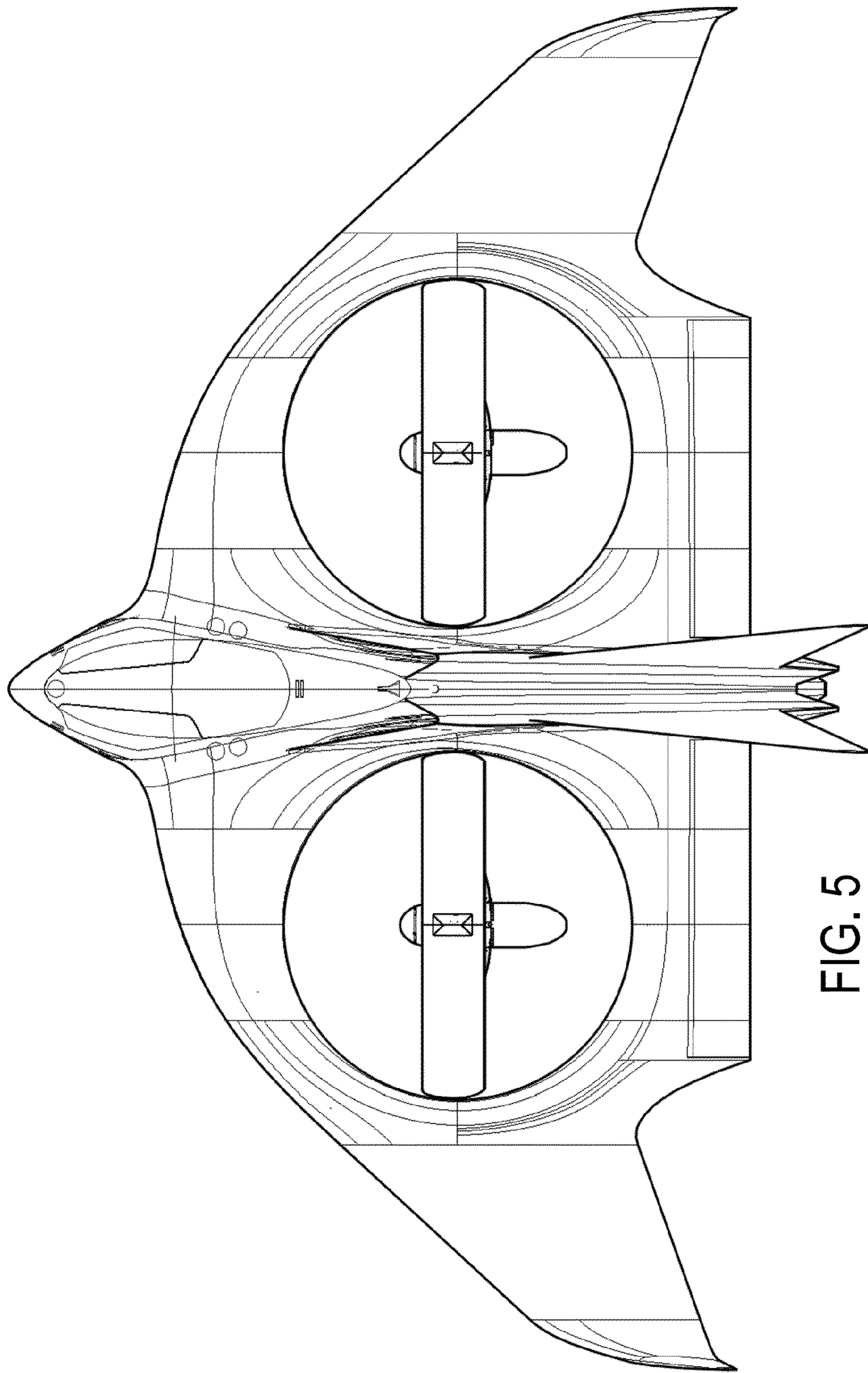


FIG. 5

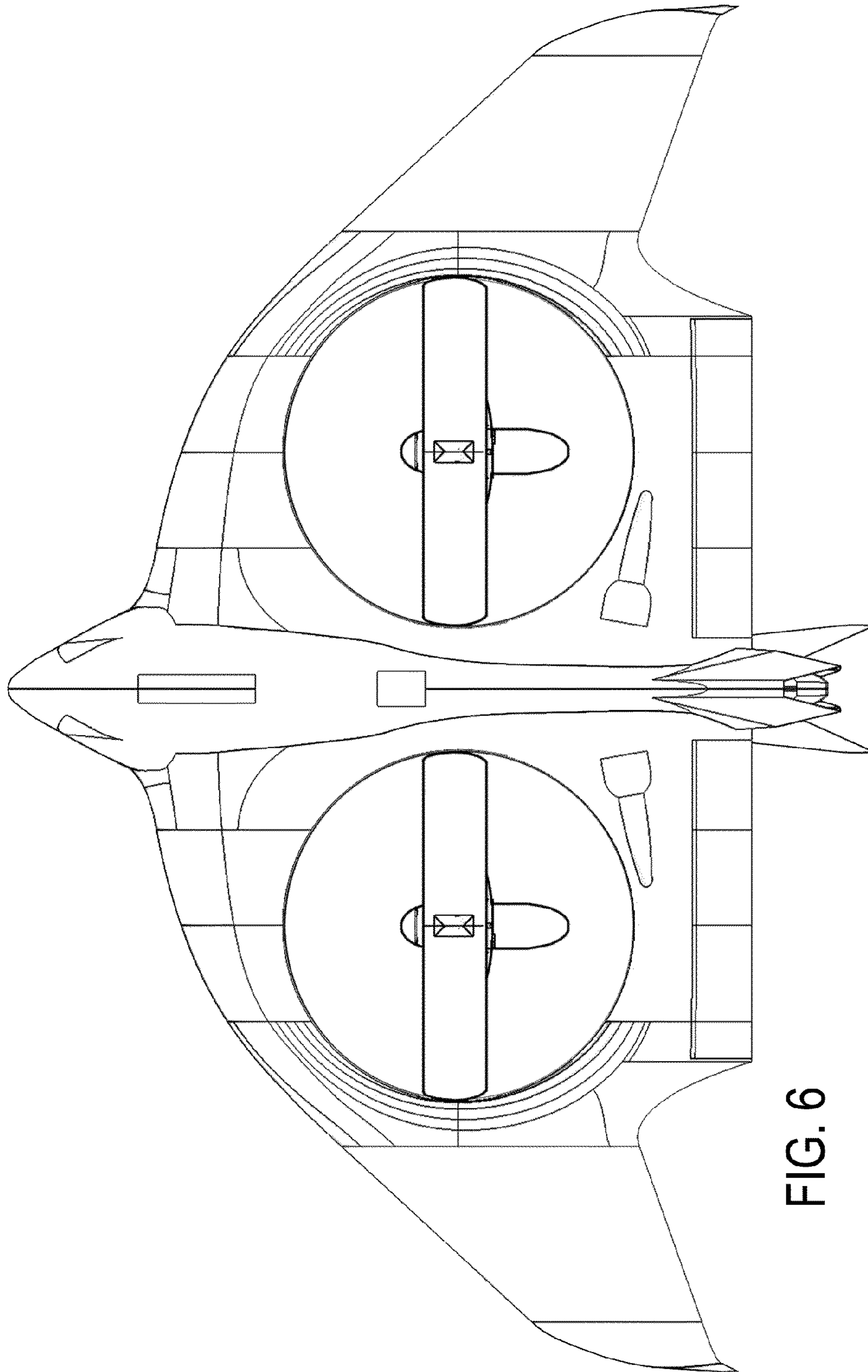


FIG. 6



FIG. 7

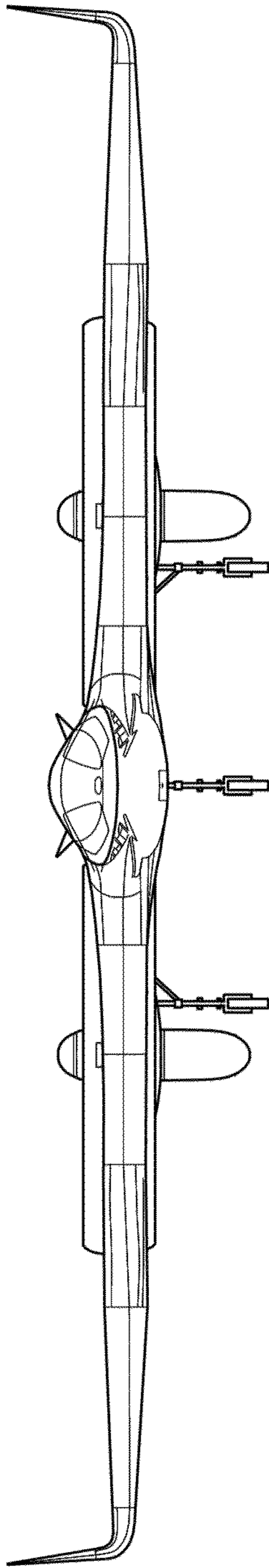


FIG. 8

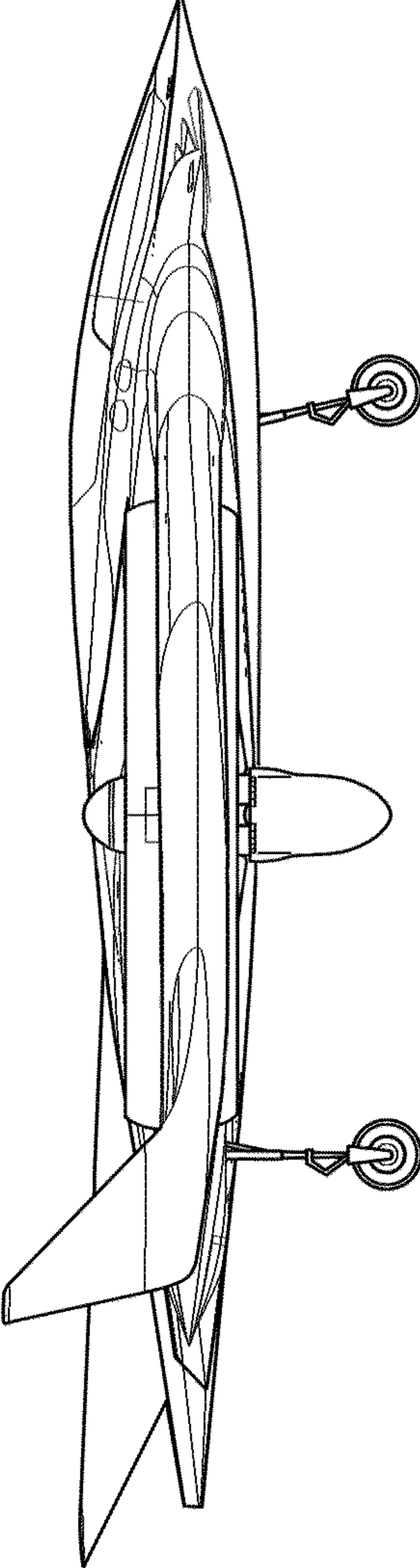


FIG. 9

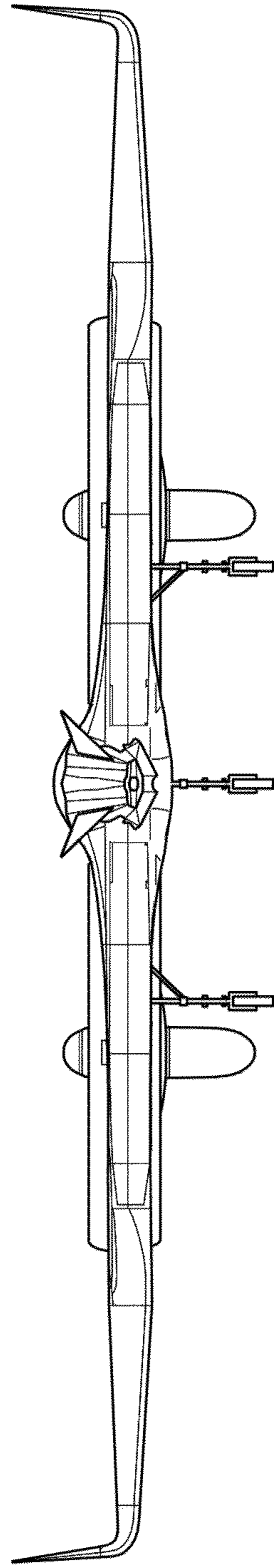


FIG. 10

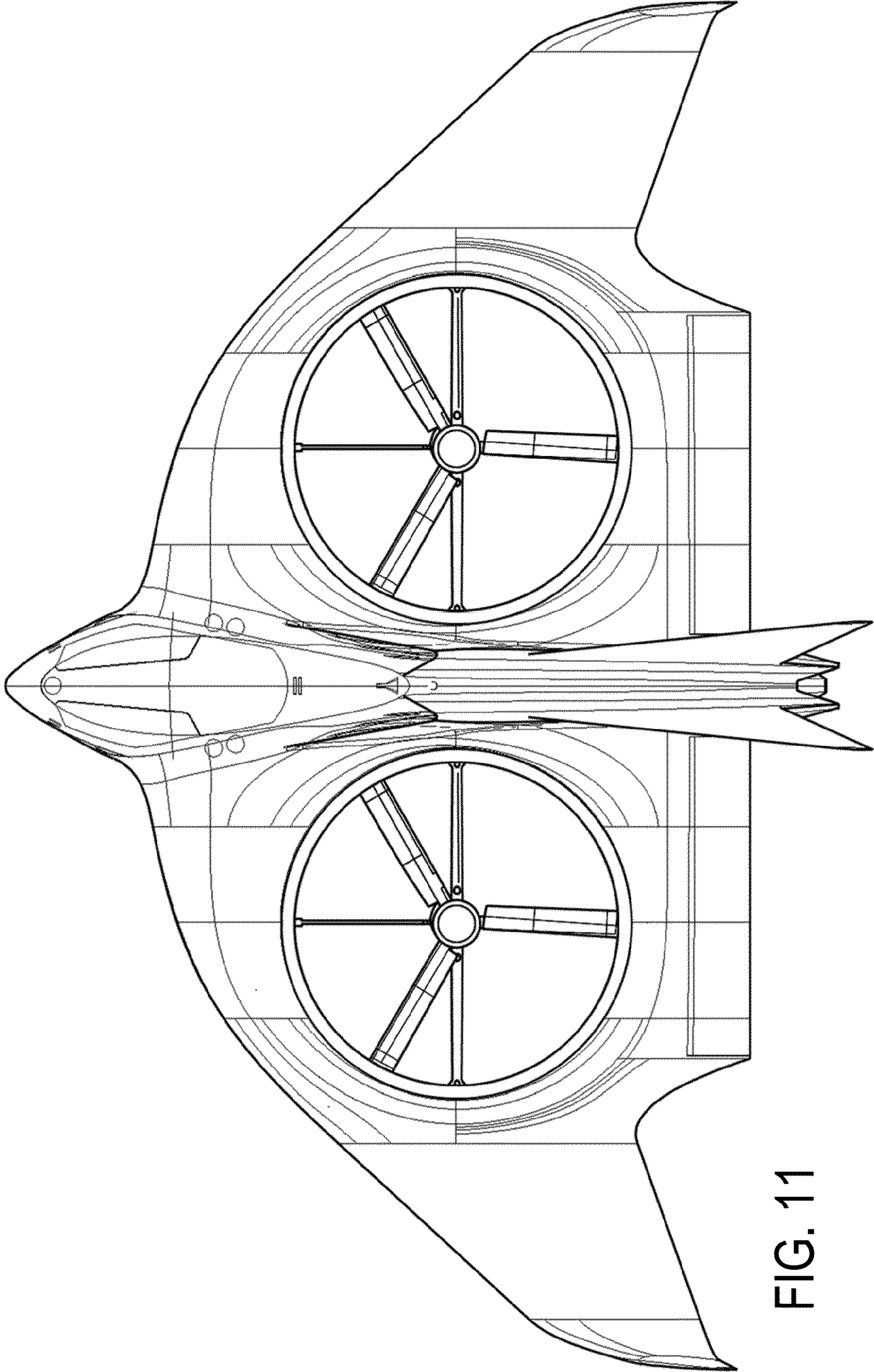


FIG. 11

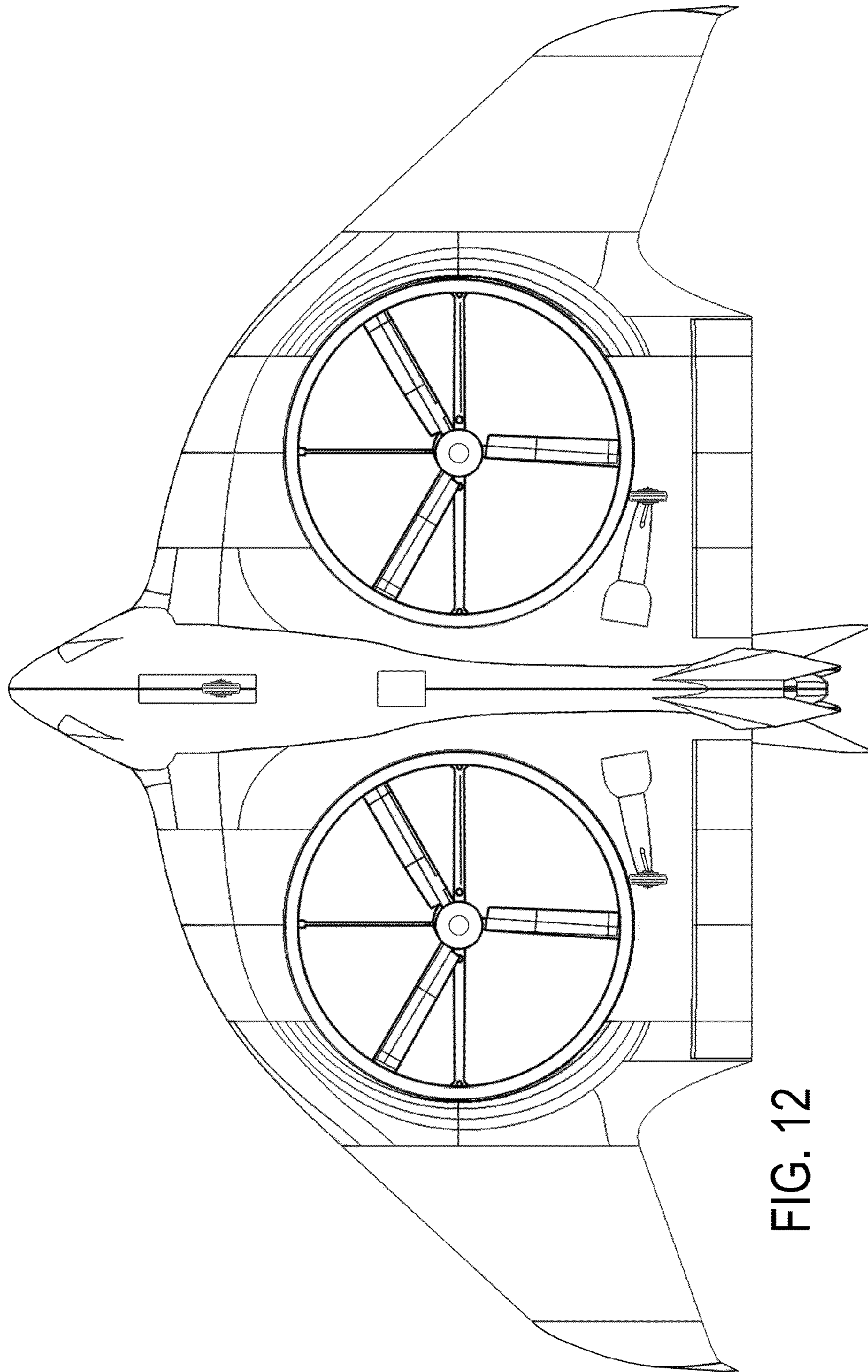


FIG. 12



FIG. 13

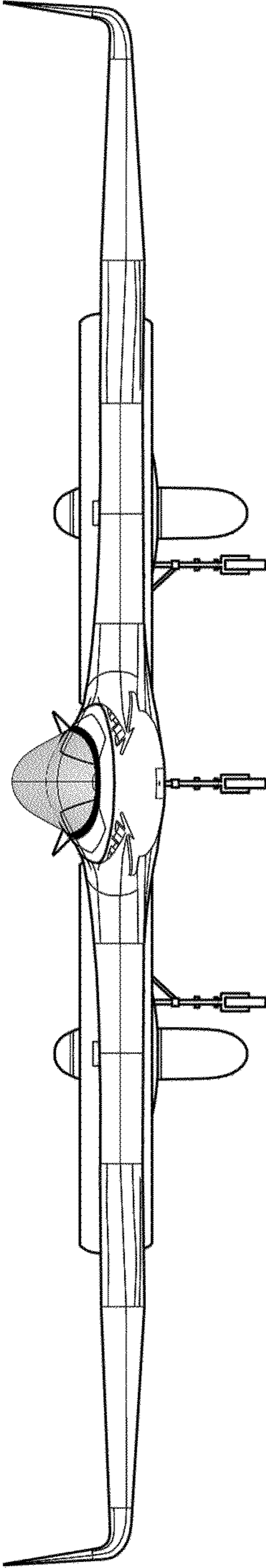


FIG. 14

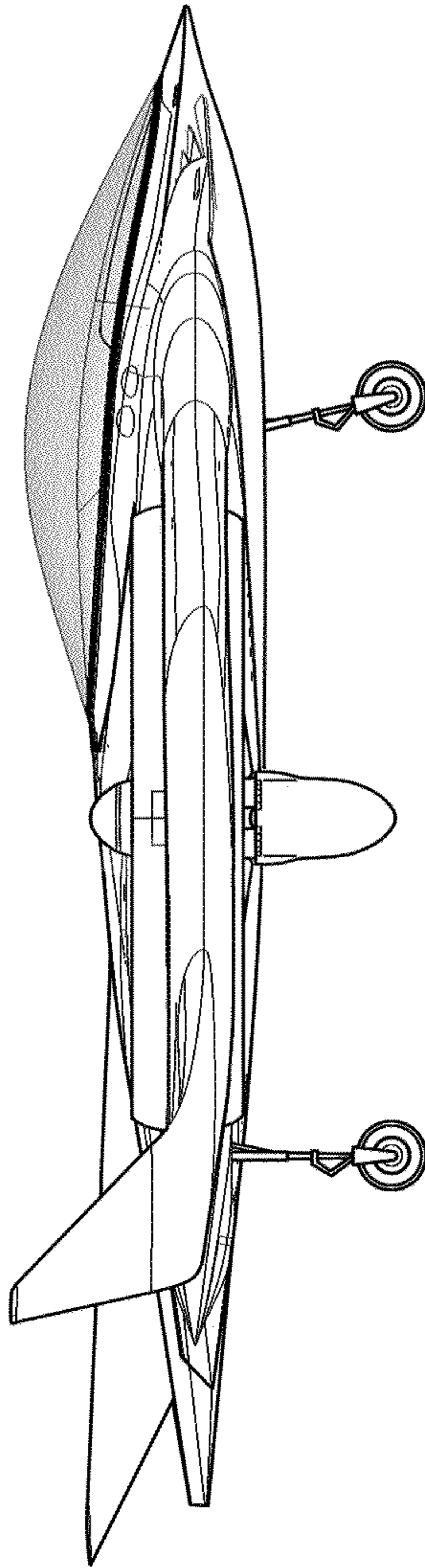


FIG. 15

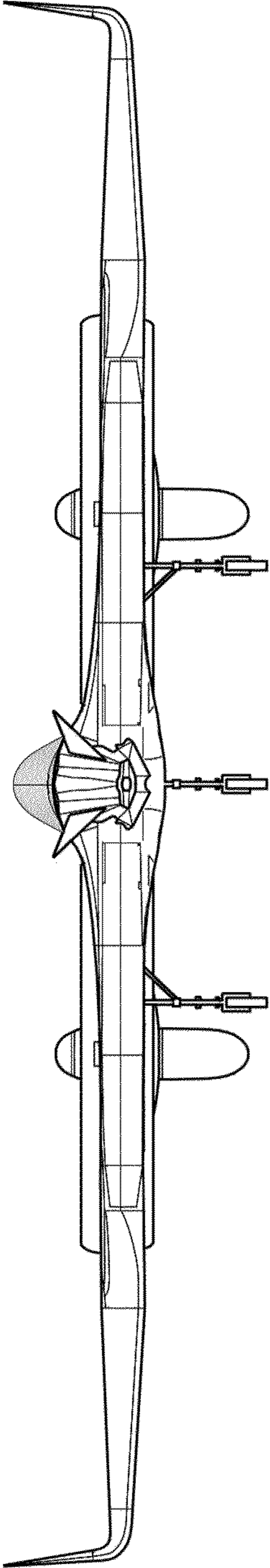


FIG. 16

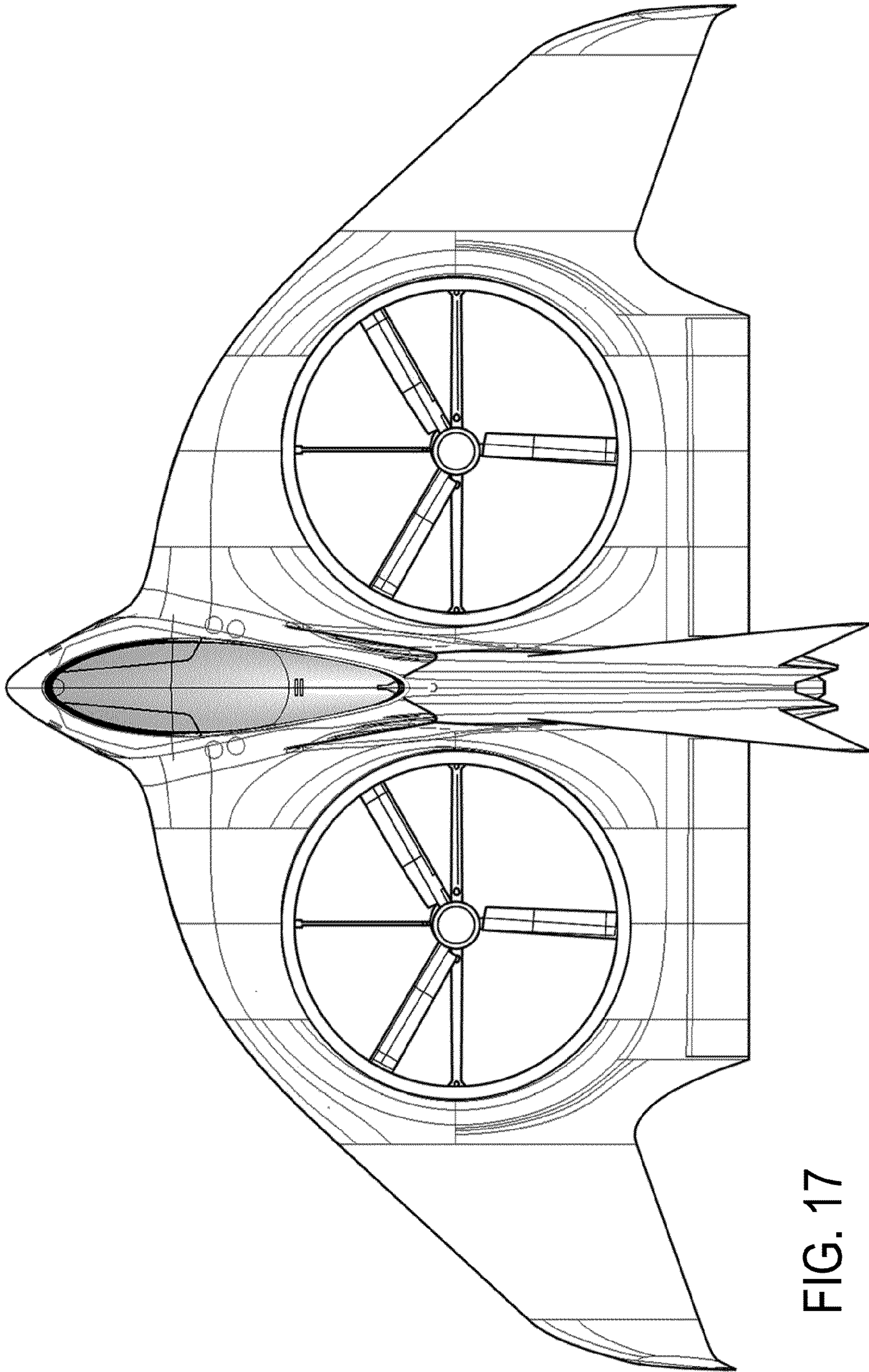


FIG. 17

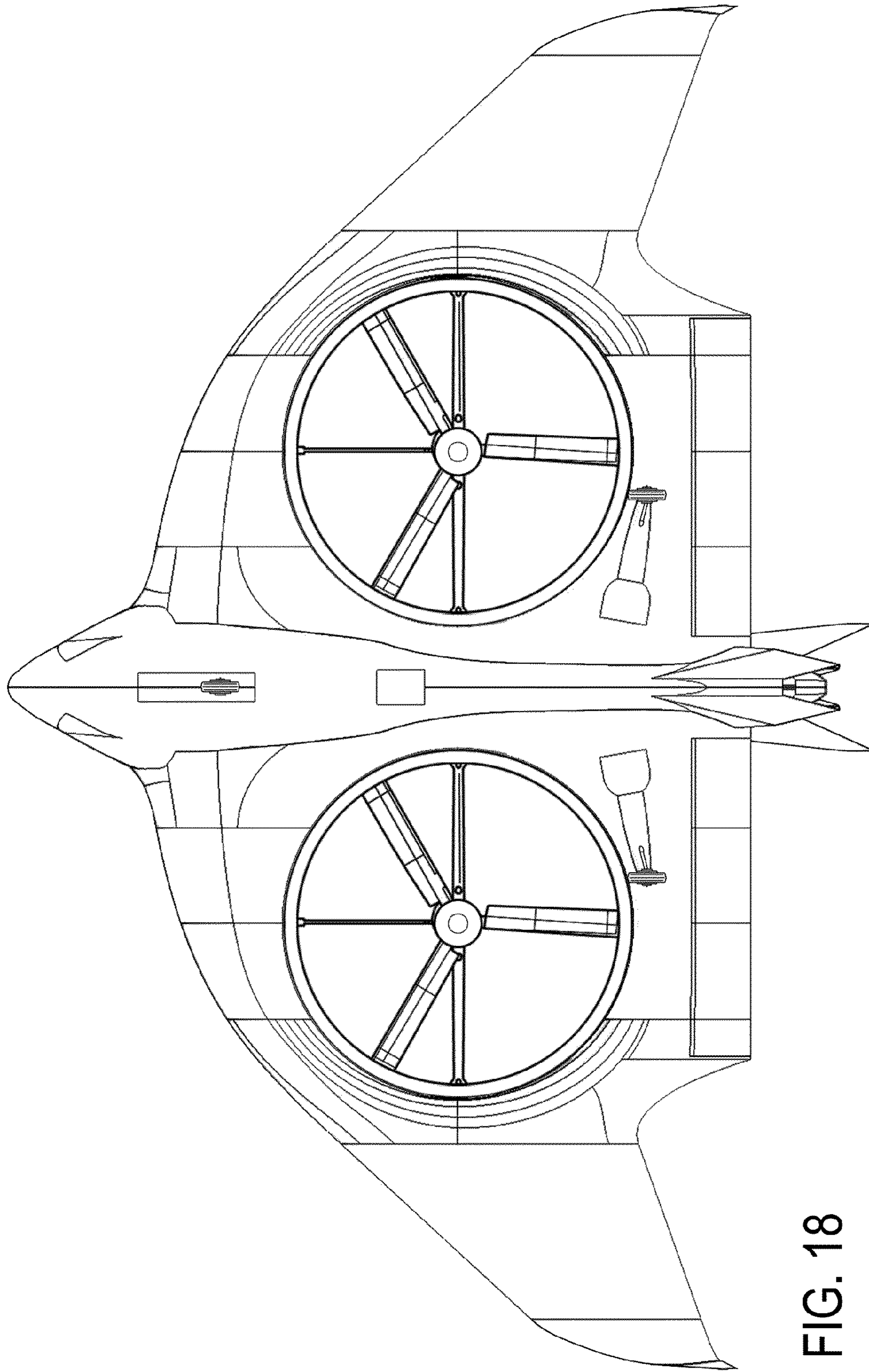


FIG. 18



FIG. 19

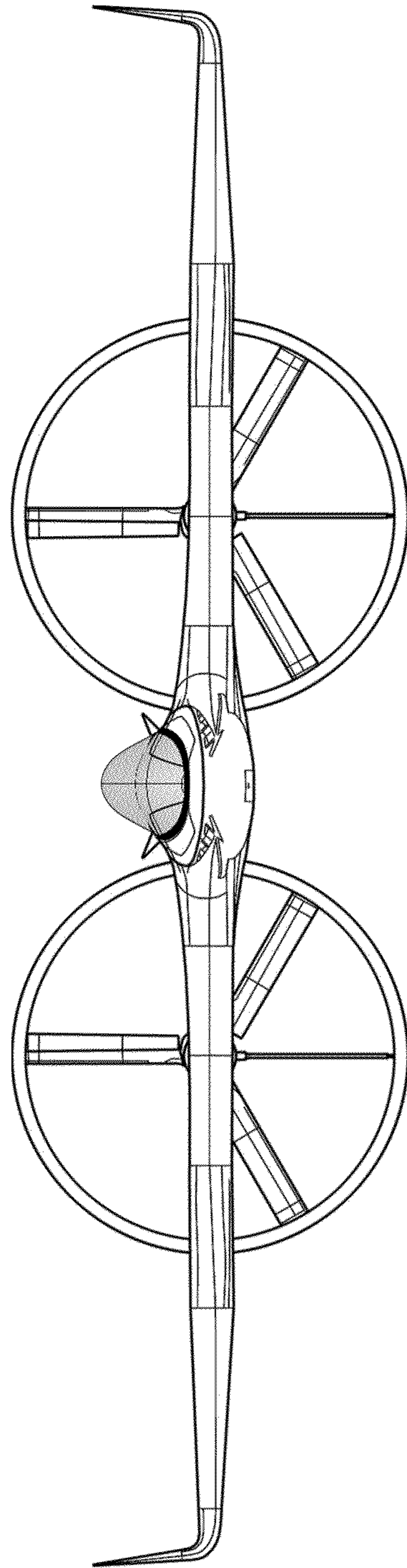


FIG. 20

UNITED STATES PATENT AND TRADEMARK OFFICE
CERTIFICATE OF CORRECTION

PATENT NO. : D696,618 S
APPLICATION NO. : 29/412072
DATED : December 31, 2013
INVENTOR(S) : James Wang

Page 1 of 1

It is certified that error appears in the above-identified patent and that said Letters Patent is hereby corrected as shown below:

On the title page item (73) – please correct: “Agustawestland S.p.A., Samarate (IL)” to
--Agustawestland S.p.A., Samarate (IT)--

Signed and Sealed this
Fourth Day of November, 2014



Michelle K. Lee
Deputy Director of the United States Patent and Trademark Office

UNITED STATES PATENT AND TRADEMARK OFFICE
CERTIFICATE OF CORRECTION

PATENT NO. : D696,618 S
APPLICATION NO. : 29/412072
DATED : December 31, 2013
INVENTOR(S) : James Wang

Page 1 of 22

It is certified that error appears in the above-identified patent and that said Letters Patent is hereby corrected as shown below:

On the title page

Delete the title page and substitute the attached title page therefor.

In the drawings

Delete the drawings sheets 1-20 and substitute the attached drawing sheets 1-20 therefor.

Signed and Sealed this
Twenty-ninth Day of September, 2015



Michelle K. Lee
Director of the United States Patent and Trademark Office

(12) **United States Design Patent**
Wang

(10) Patent No.: **US D696,618 S**
 (45) Date of Patent: **** Dec. 31, 2013**

(54) **TILT-ROTOR**

(75) Inventor: **James Wang, Samarate (IT)**

(73) Assignee: **Agustawestland S.p.A., Samarate (IL)**

(**) Term: **14 Years**

(21) Appl. No.: **29/412,072**

(22) Filed: **Jan. 30, 2012**

(30) **Foreign Application Priority Data**

Jul. 29, 2011 (EM) 1287205
 (51) LOC (9) Cl. 12-07
 (52) U.S. Cl.
 USPC D12/326; D12/330
 (58) Field of Classification Search
 USPC D12/319, 326, 327, 328, 329, 331-334,
 D12/337, 338, 339, 344, 345, 330; 244/2, 5,
 244/6, 7 A, 7 C, 8, 12.1, 12.3, 12.4, 17.11,
 244/17.19, 17.23, 17.25, 17.27, 99.1, 99.11,
 244/119, 117 R, 118.5, 60; D21/430, 442,
 D21/447, 449, 450, 451; 446/230, 231, 232
 See application file for complete search history.

(56) **References Cited**

U.S. PATENT DOCUMENTS

D162,517 S * 3/1951 Burnelli D12/335
 D190,534 S * 6/1961 Smolinski D12/330
 (Continued)

Primary Examiner — Caron D Veynar
Assistant Examiner — Martie K Holtje
 (74) *Attorney, Agent, or Firm* — Ohlandt Greeley Ruggiero
 & Perle L.L.P.

(57) **CLAIM**

The ornamental design for a tilt-rotor, as shown and described.

DESCRIPTION

FIG. 1 is a front, perspective view of the tilt-rotor according to a first embodiment of the present design being used in a first mode;
 FIG. 2 is a front view of the tilt-rotor of FIG. 1;
 FIG. 3 is a left side view of the tilt-rotor of FIG. 1, the right side being a mirror image thereof;
 FIG. 4 is a rear view of the tilt-rotor of FIG. 1; and
 FIG. 5 is a top view of the tilt-rotor of FIG. 1.
 FIG. 6 is a front, perspective view of the tilt-rotor according to the first embodiment of the present design being used in a second mode;
 FIG. 7 shows a front view of the tilt-rotor of FIG. 6;
 FIG. 8 shows a left side view of the tilt-rotor of FIG. 6, the right side being a mirror image thereof;
 FIG. 9 shows a rear view of the tilt-rotor of FIG. 6; and
 FIG. 10 shows a top view of the tilt-rotor of FIG. 6.
 FIG. 11 is a front, perspective view of the tilt-rotor according to a second embodiment of the present design being used in first mode;
 FIG. 12 shows a front view of the tilt-rotor of FIG. 11;
 FIG. 13 shows a left side view of the tilt-rotor of FIG. 11, the right side being a mirror image thereof;
 FIG. 14 shows a rear view of the tilt-rotor of FIG. 11; and
 FIG. 15 shows a top view of the tilt-rotor of FIG. 11.
 FIG. 16 is a front, perspective view of the tilt-rotor according to the second embodiment of the present design being used in a second mode;
 FIG. 17 shows a front view of the tilt-rotor of FIG. 16;
 FIG. 18 shows a left side view of the tilt-rotor of FIG. 16, the right side being a mirror image thereof;
 FIG. 19 shows a rear view of the tilt-rotor of FIG. 16; and,
 FIG. 20 shows a top view of the tilt-rotor of FIG. 16.
 The portions of the bottom of the tilt-rotor not shown in the drawings form no part of the claimed design.

1 Claim, 20 Drawing Sheets

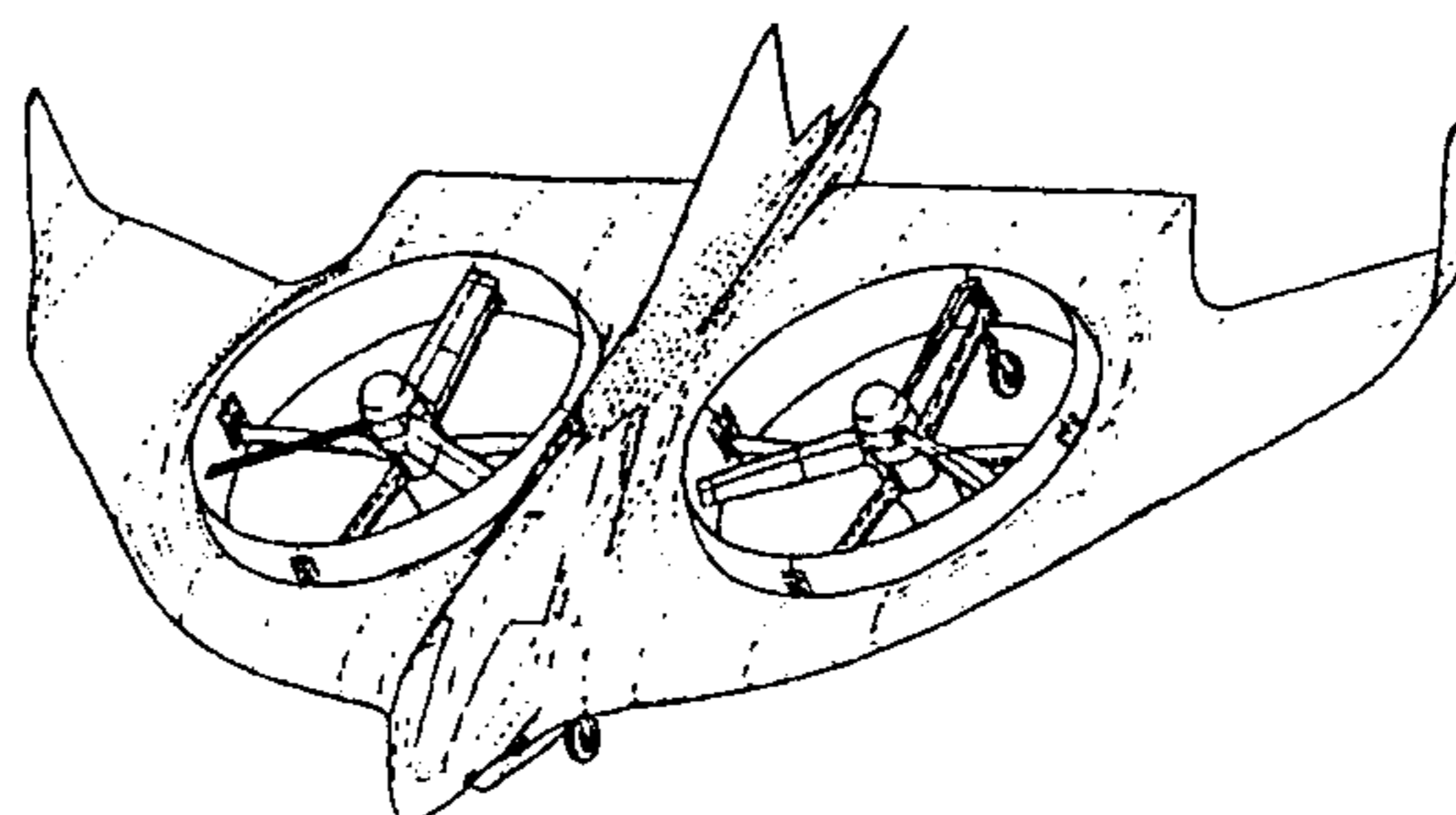
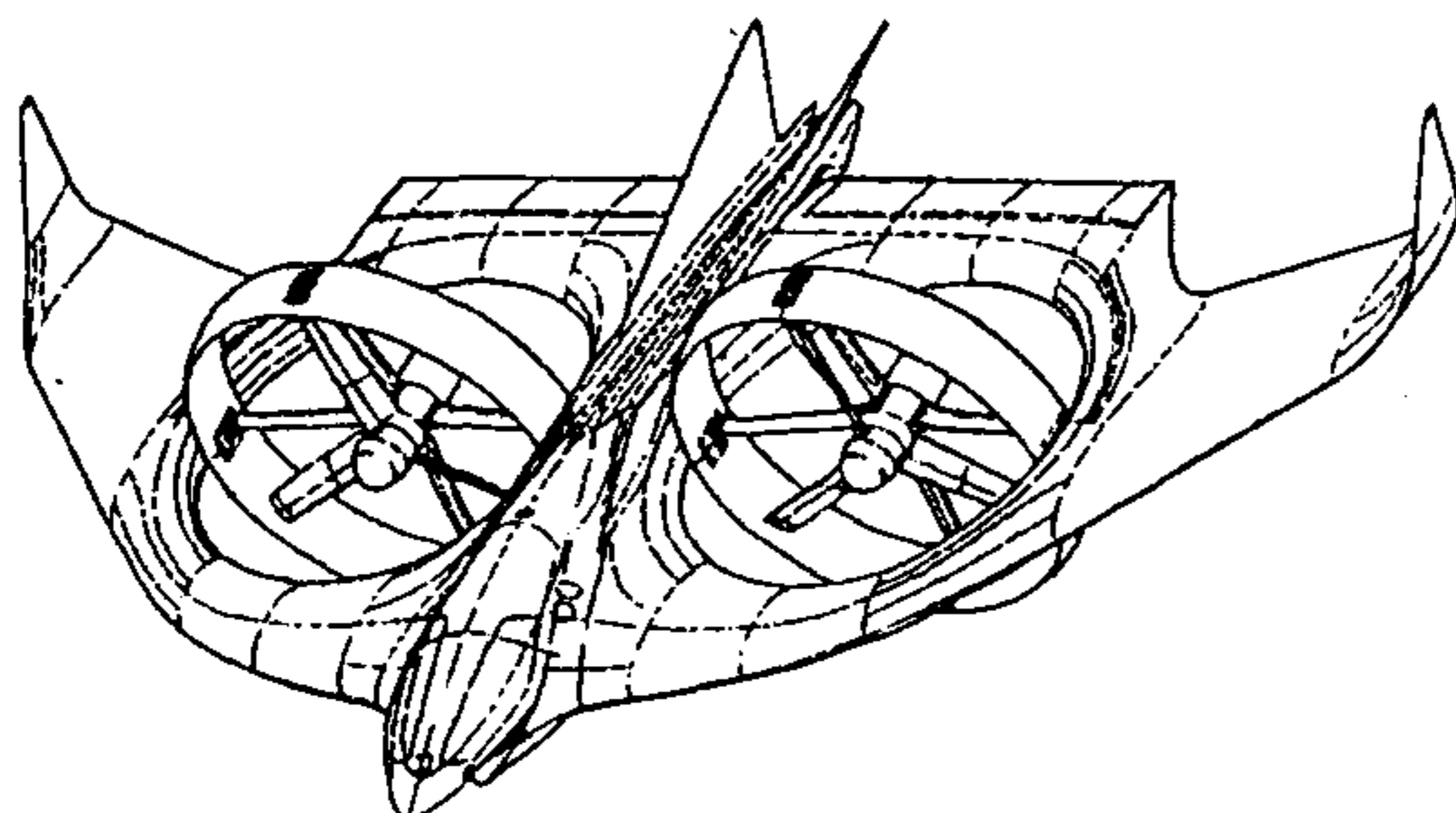




FIG. 1

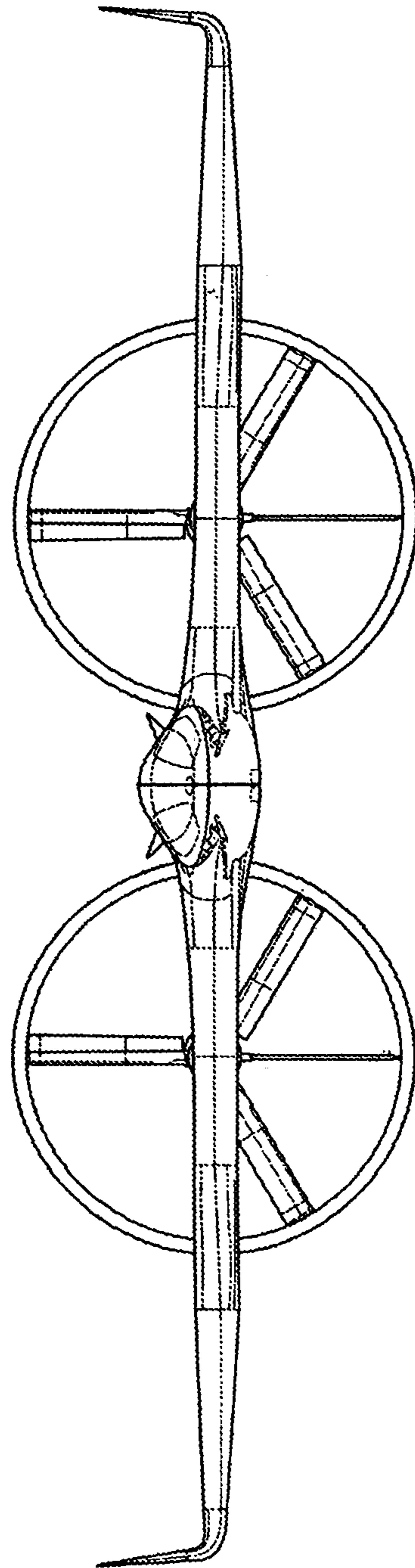


FIG. 2

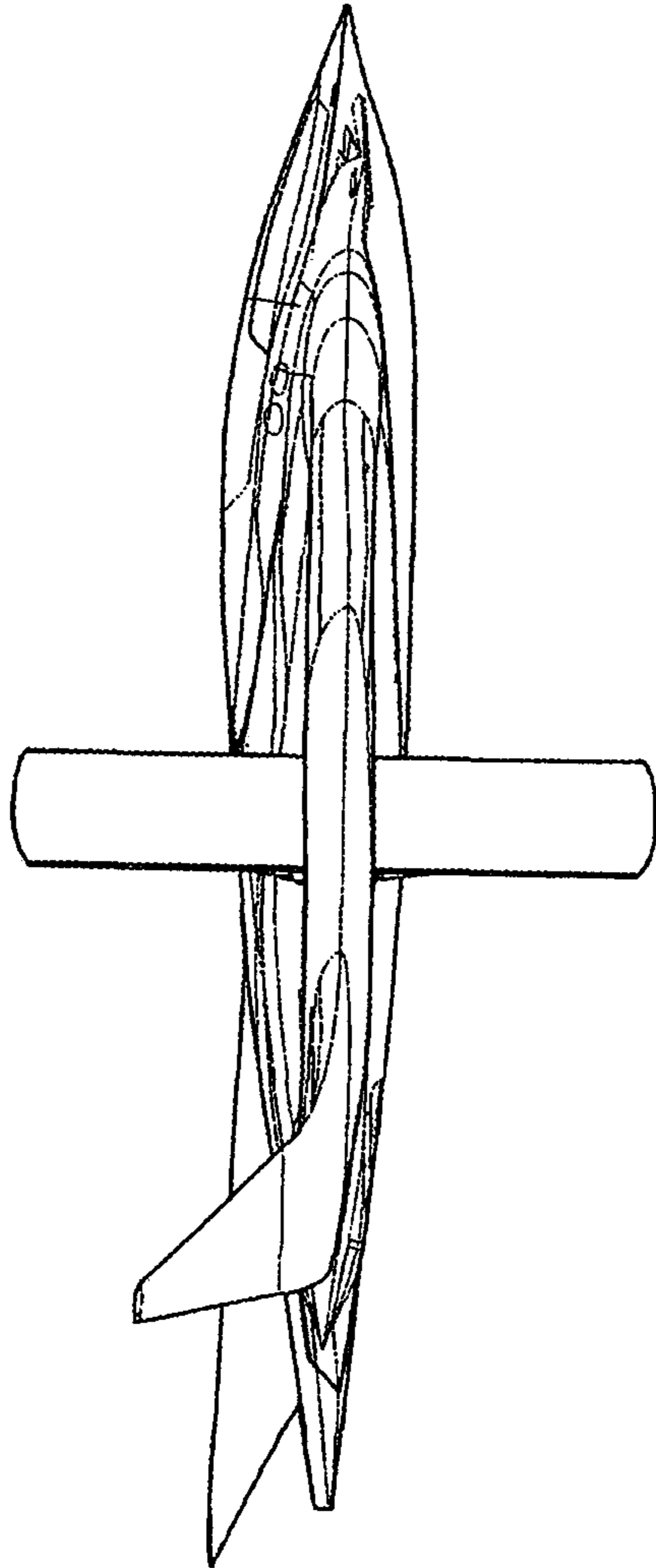


FIG. 3

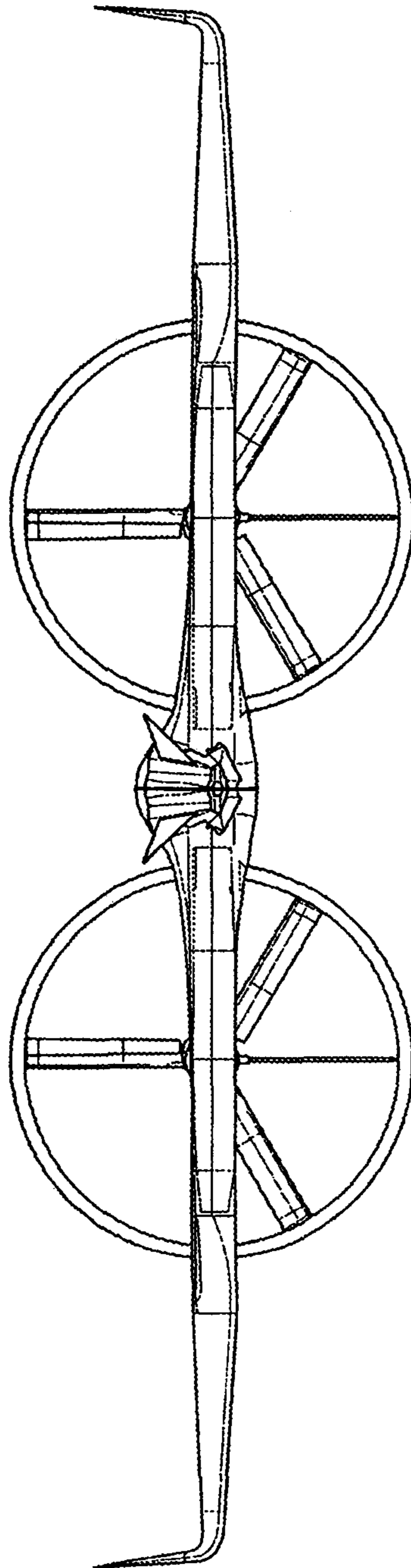


FIG. 4

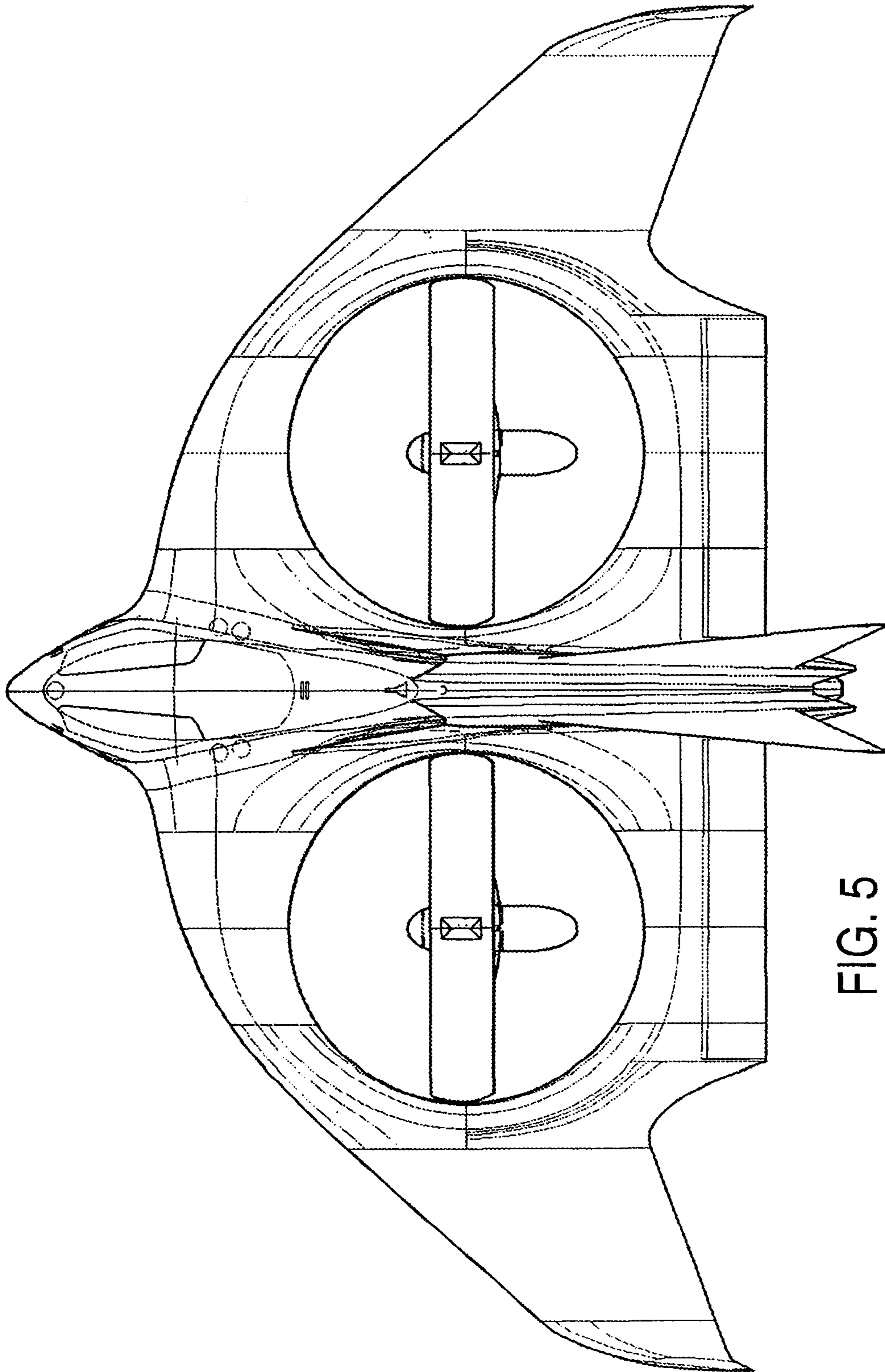


FIG. 5

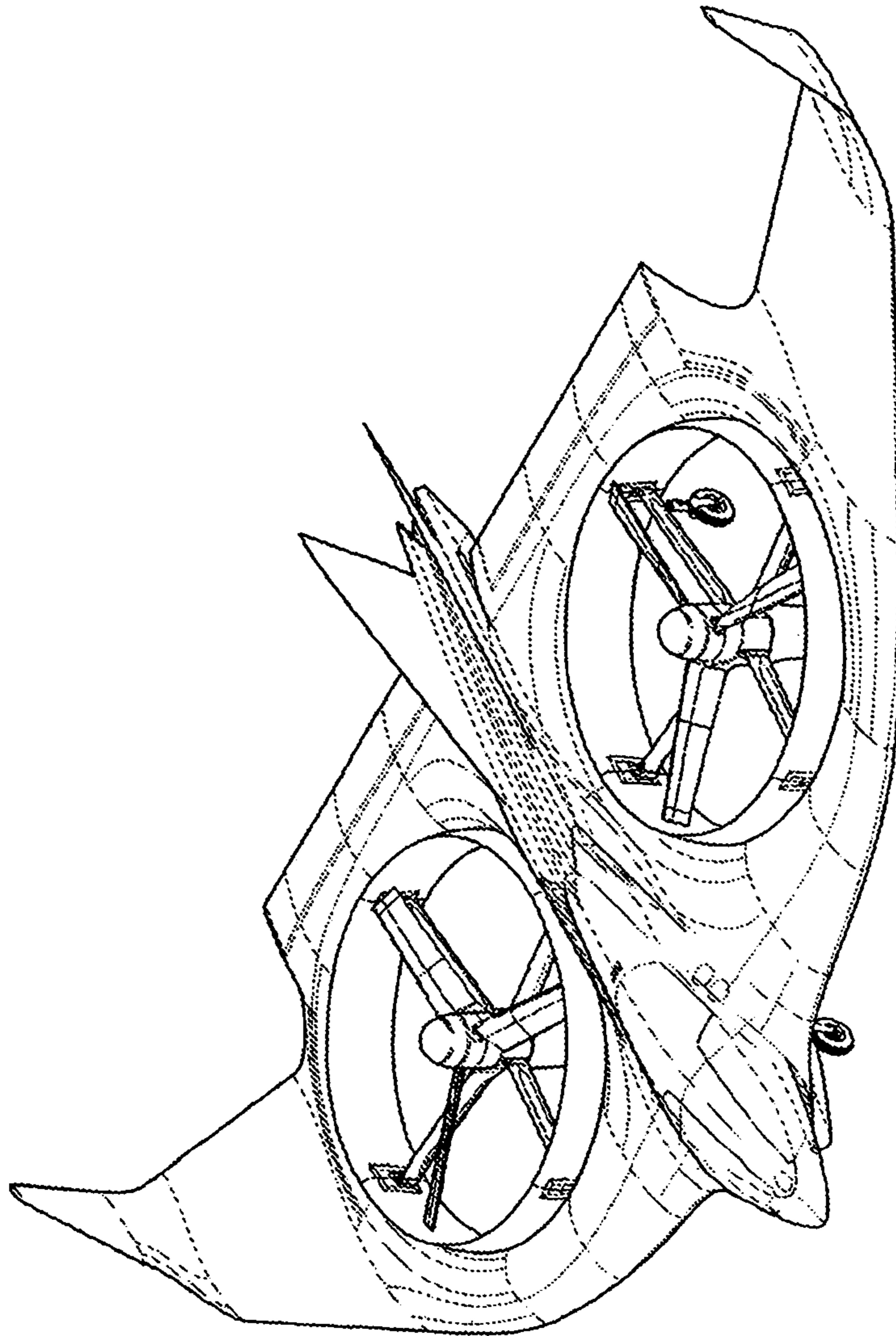


FIG. 6

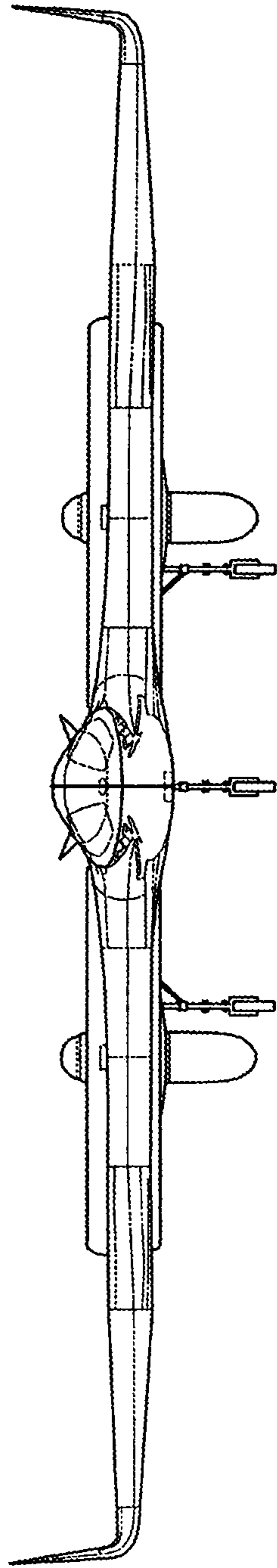


FIG. 7

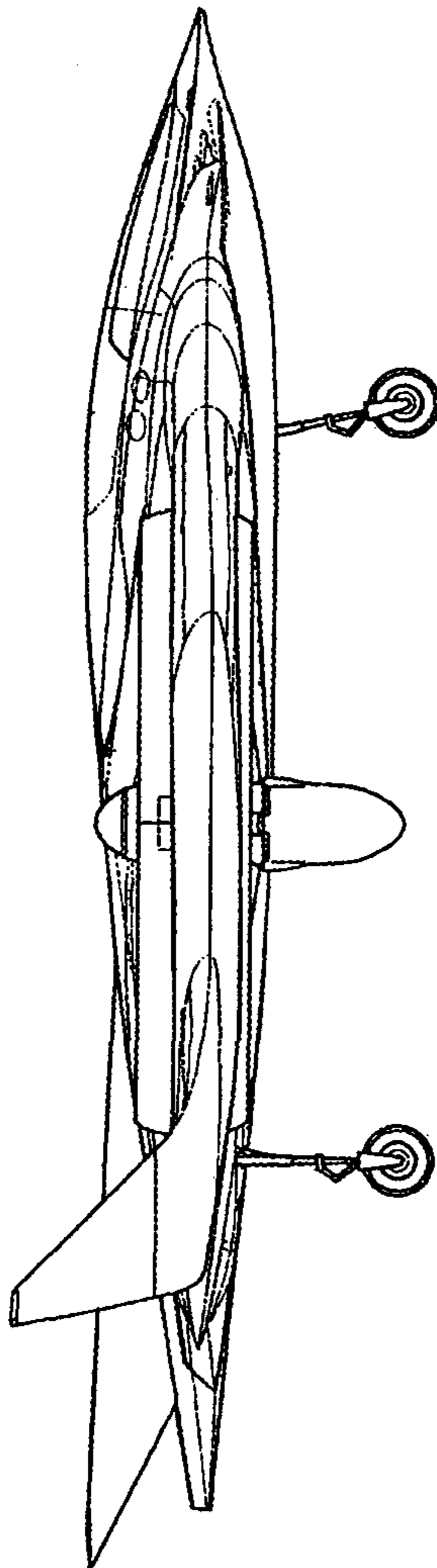


FIG. 8

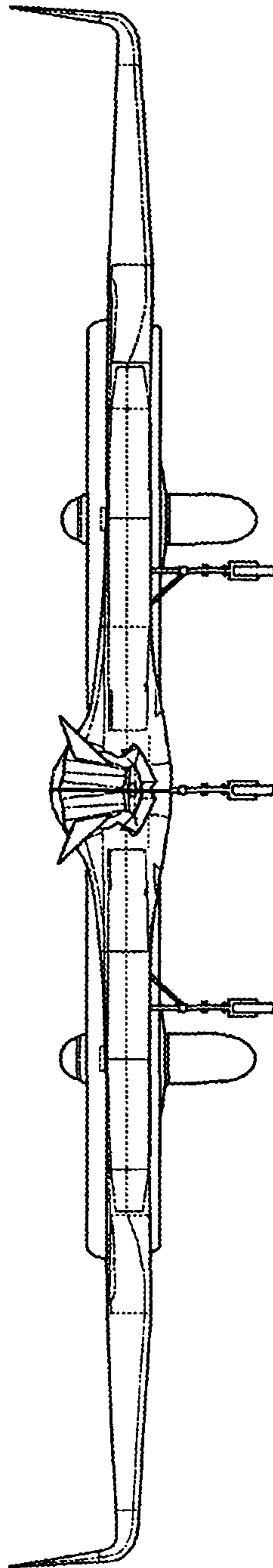


FIG. 9

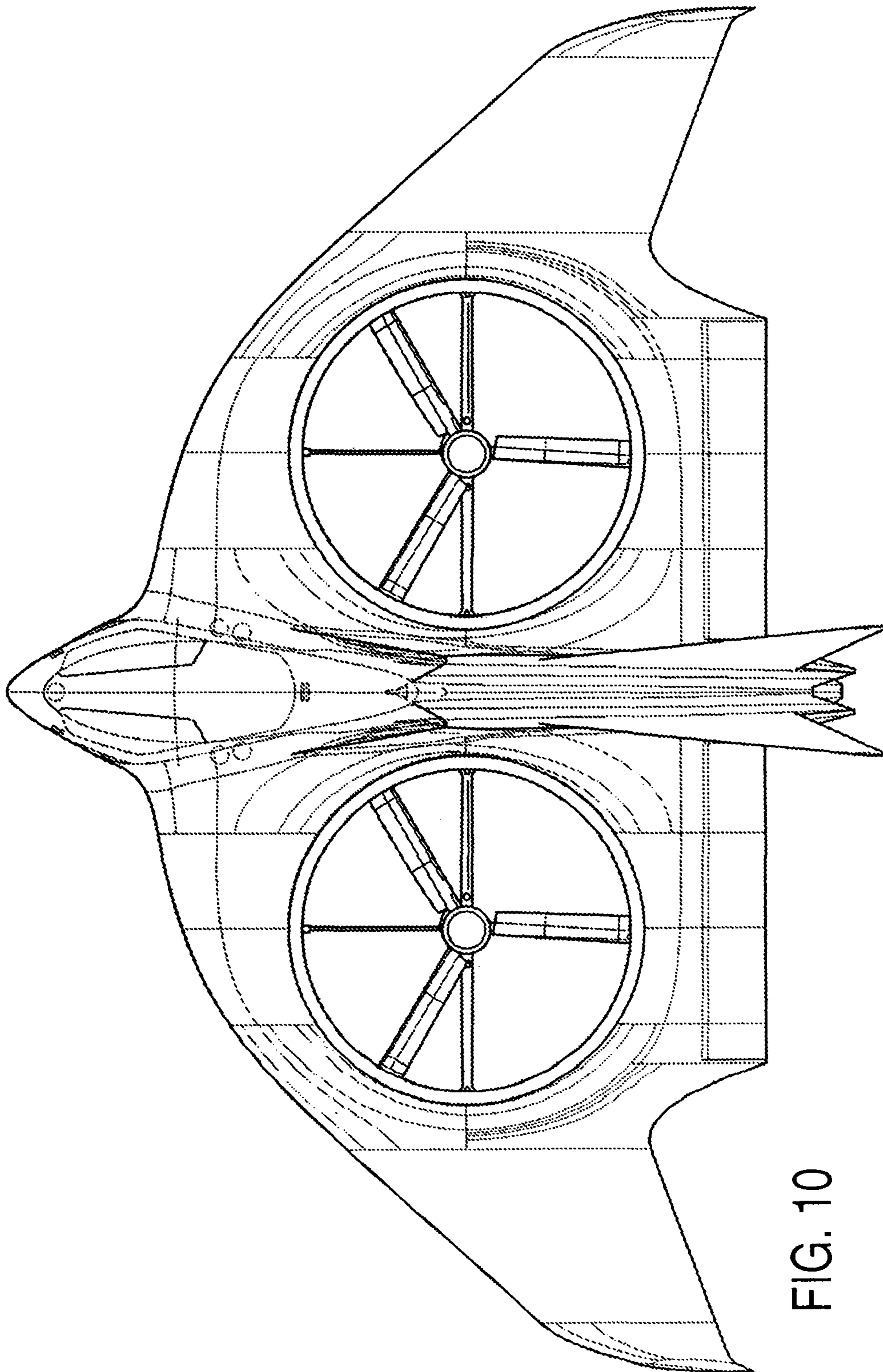


FIG. 10

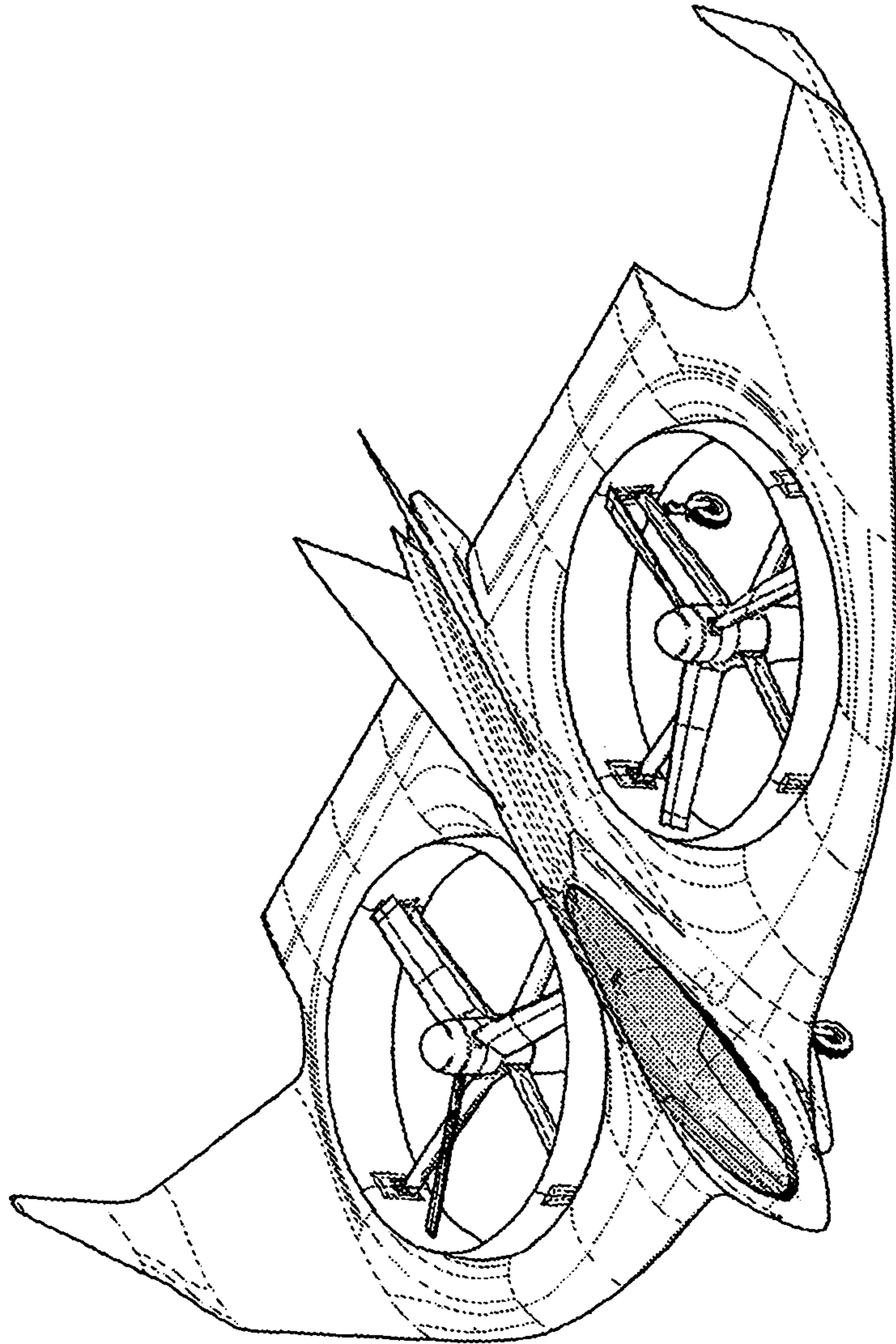


FIG. 11

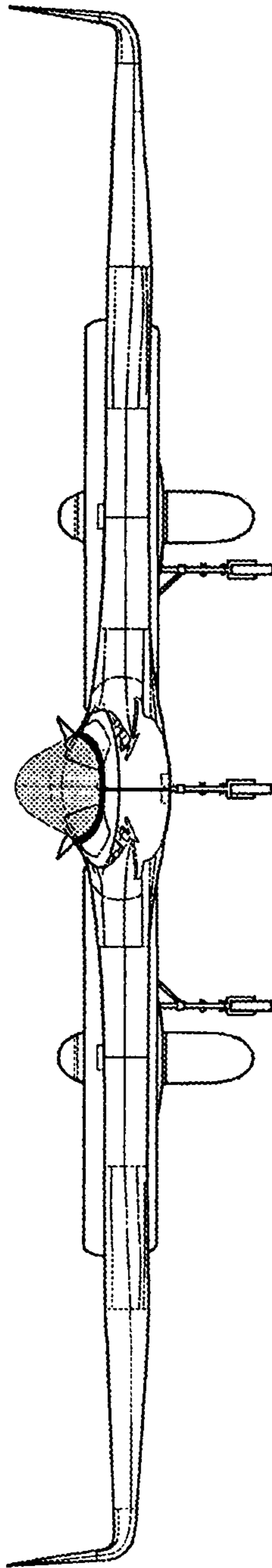


FIG. 12

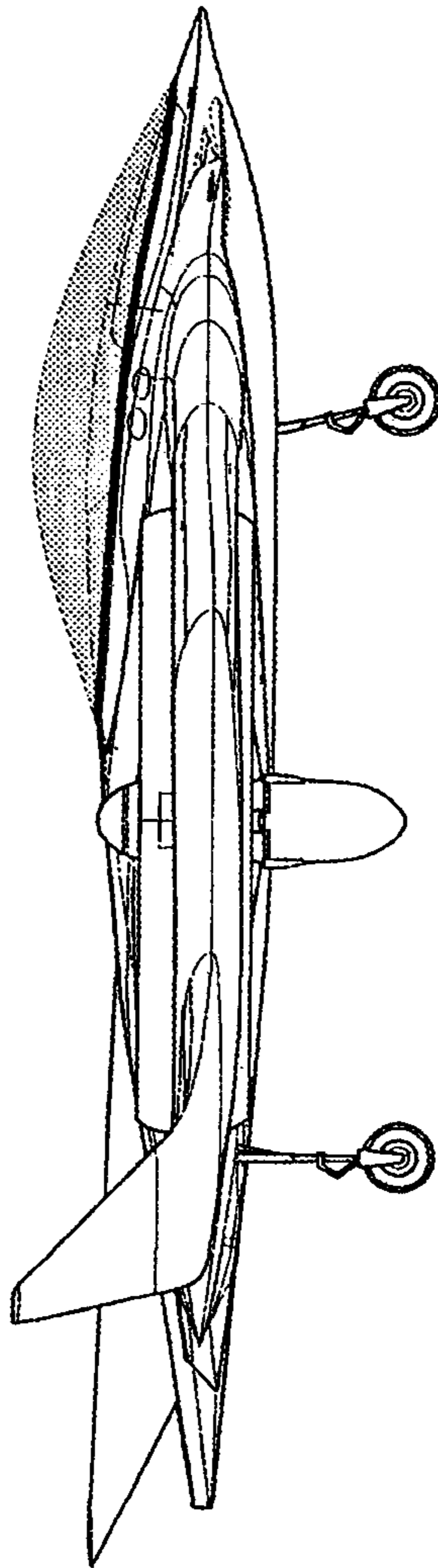


FIG. 13

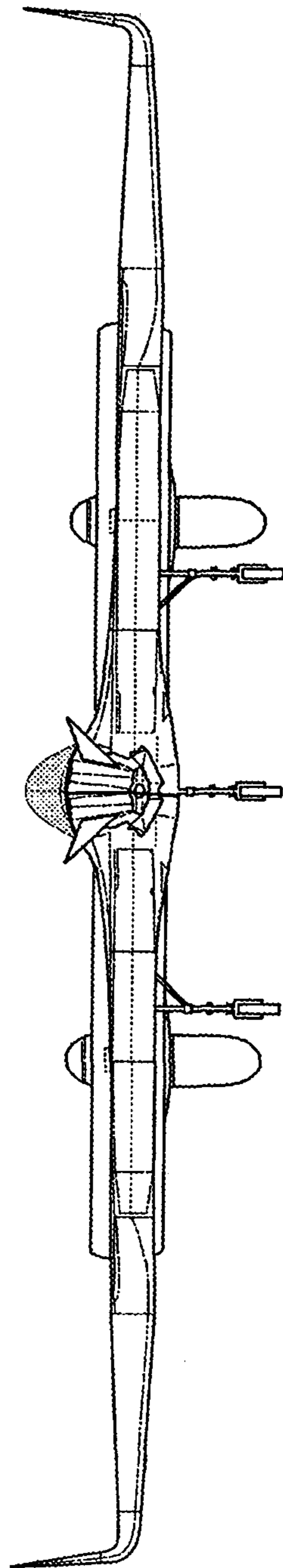


FIG. 14

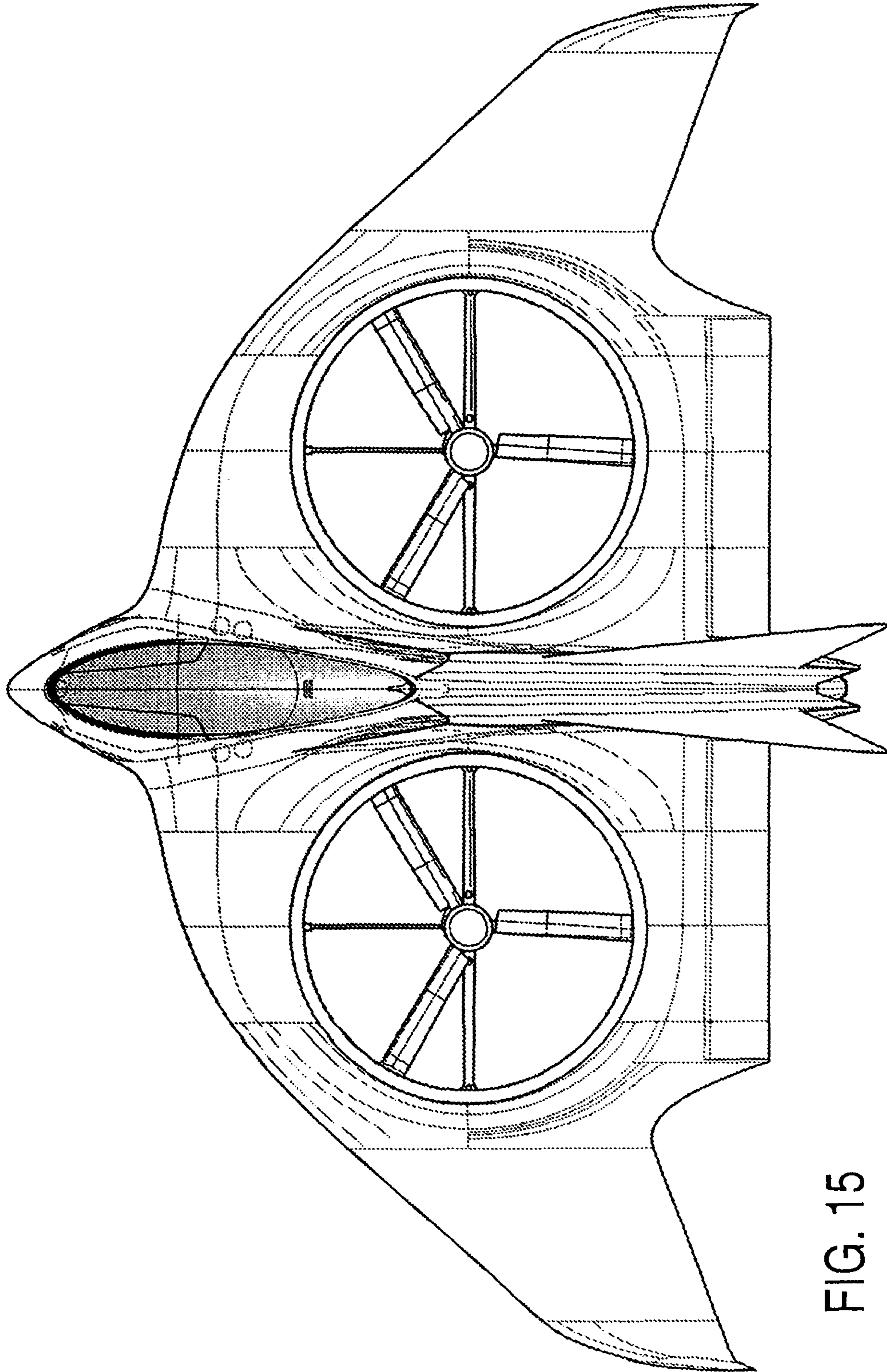


FIG. 15

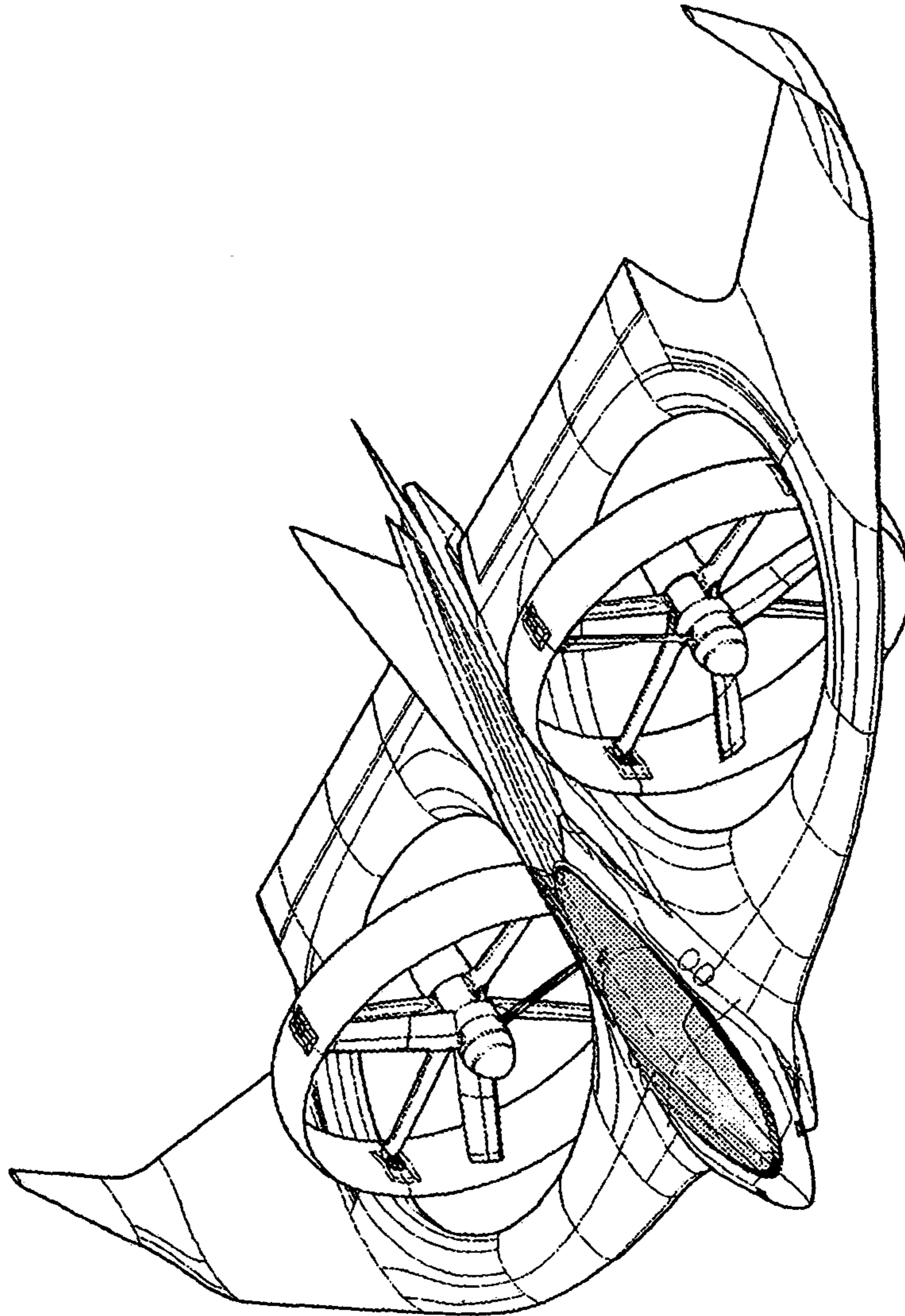


FIG. 16

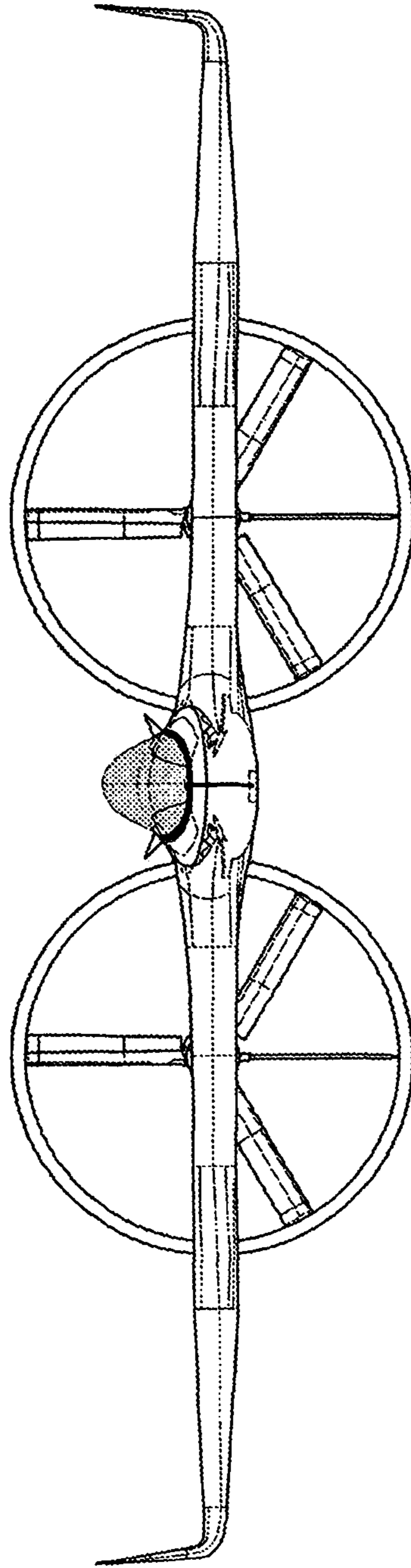


FIG. 17

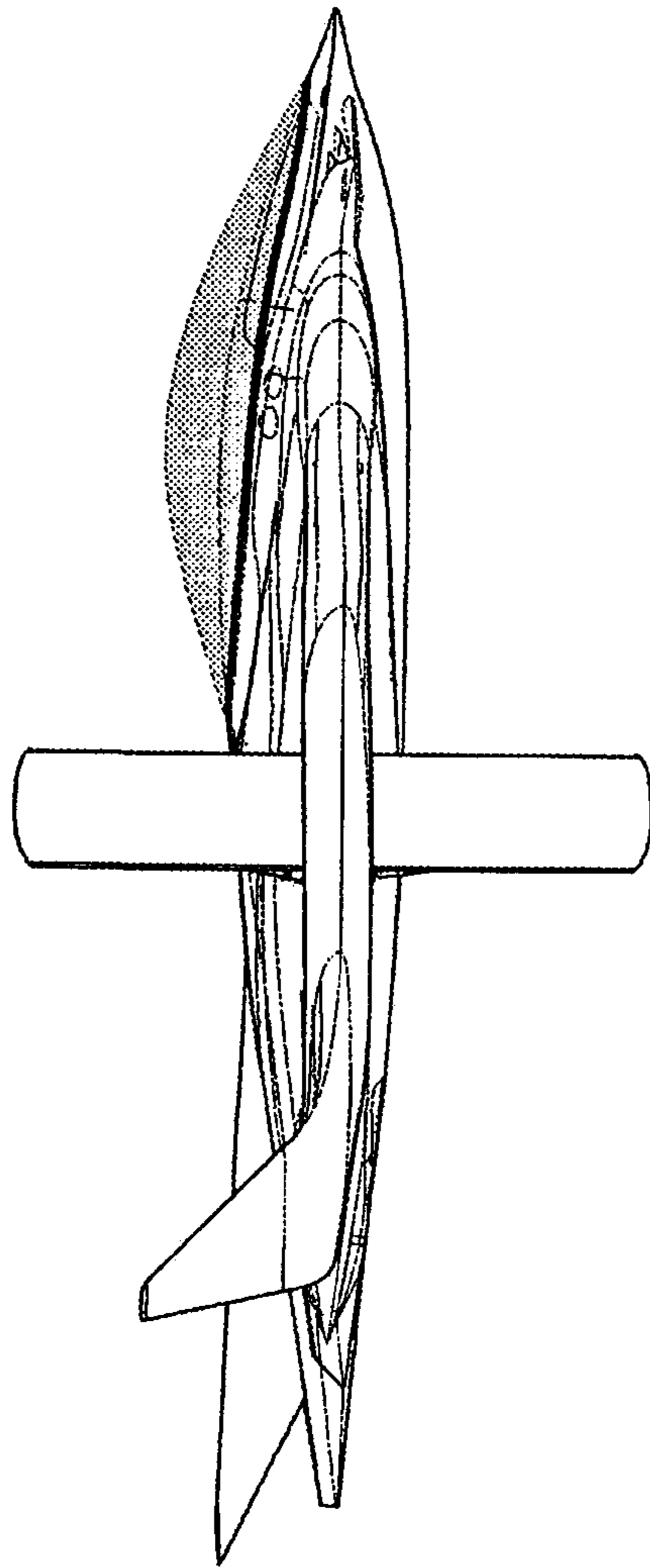


FIG. 18

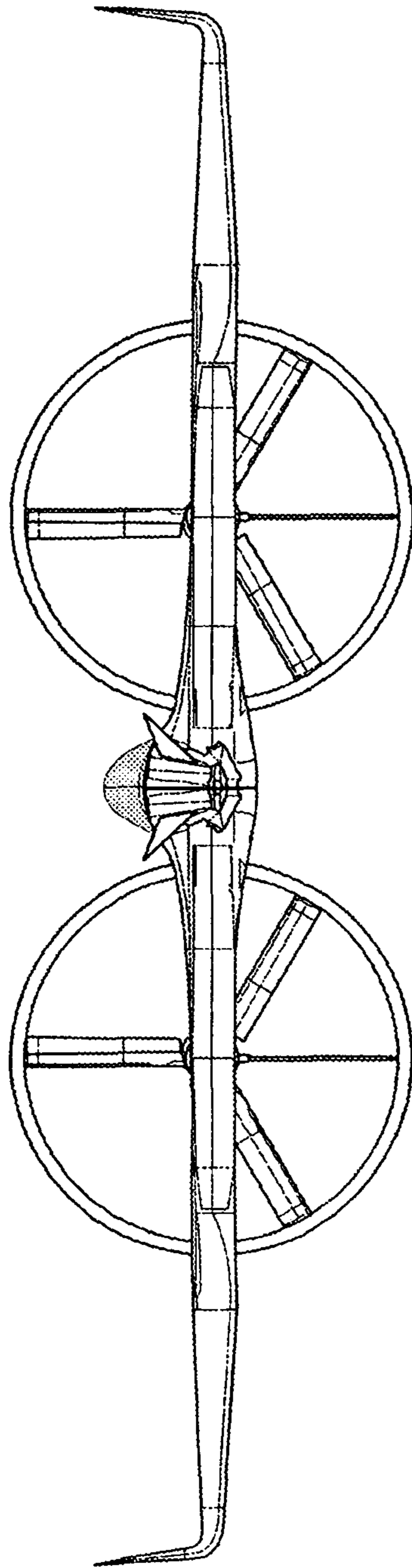


FIG. 19

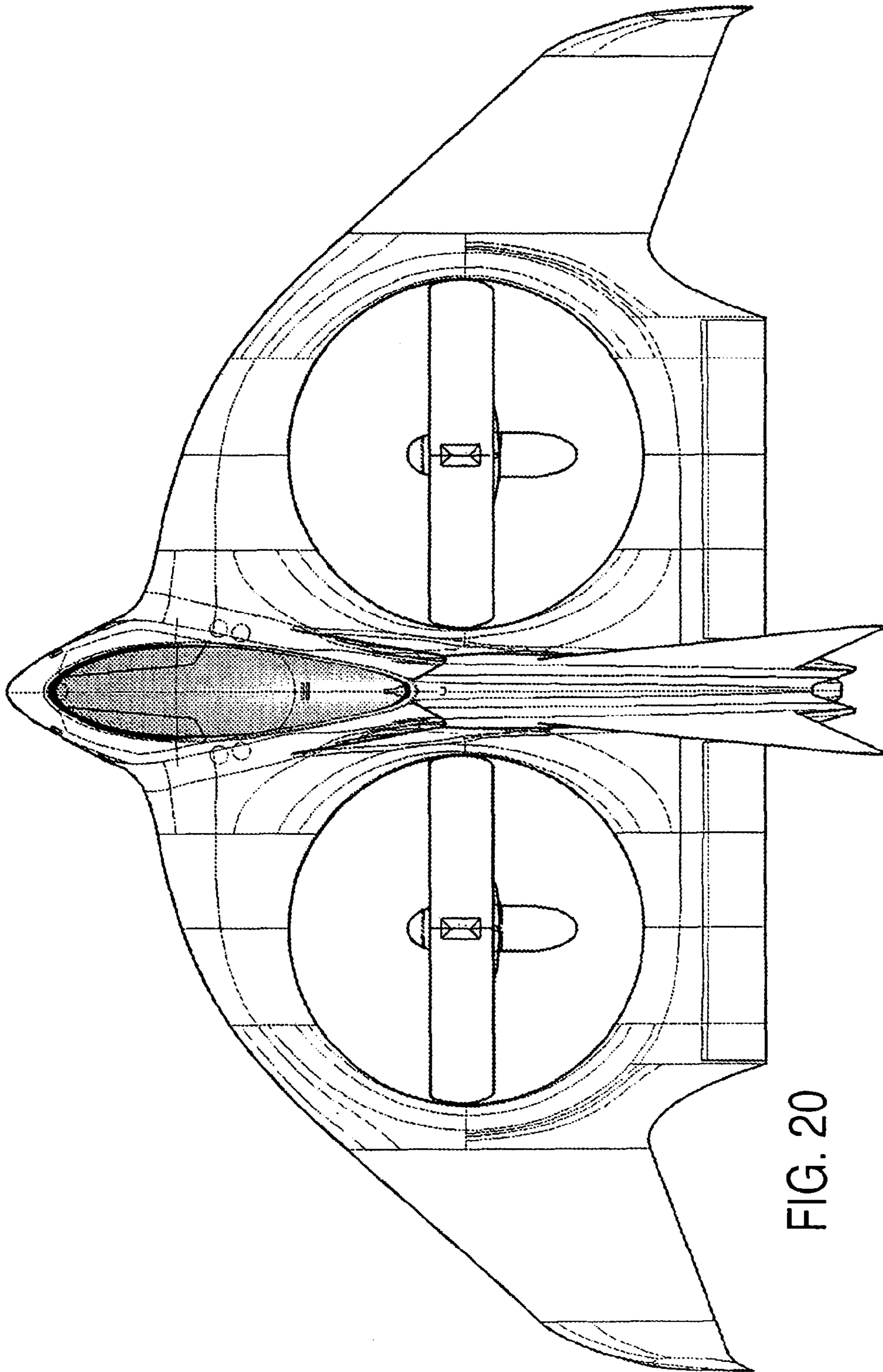


FIG. 20

UNITED STATES PATENT AND TRADEMARK OFFICE
CERTIFICATE OF CORRECTION

PATENT NO. : D696,618 S
APPLICATION NO. : 29/412072
DATED : December 31, 2013
INVENTOR(S) : James Wang

Page 1 of 1

It is certified that error appears in the above-identified patent and that said Letters Patent is hereby corrected as shown below:

TITLE PAGE

Item (73) – please correct: “Agustawestland S.p.A., Samarate (IL)” to
-- Agustawestland S.p.A., Samarate (IT)

Signed and Sealed this
Sixth Day of September, 2016



Michelle K. Lee
Director of the United States Patent and Trademark Office