



US00D696616S

(12) **United States Design Patent**  
**Gueler et al.**

(10) **Patent No.:** **US D696,616 S**

(45) **Date of Patent:** **\*\* Dec. 31, 2013**

(54) **VEHICLE WHEEL COVER**

(71) Applicant: **Ford Motor Company**, Dearborn, MI (US)

(72) Inventors: **Murat Gueler**, West Bloomfield, MI (US); **Darrell Paul Behmer**, Novi, MI (US); **Dillon Blanski**, Ferndale, MI (US); **Sang D Kim**, Canton, MI (US)

(73) Assignee: **Ford Motor Company**, Dearborn, MI (US)

(\*\*) Term: **14 Years**

(21) Appl. No.: **29/440,383**

(22) Filed: **Dec. 20, 2012**

(51) **LOC (9) Cl.** ..... **12-16**

(52) **U.S. Cl.**  
USPC ..... **D12/209**

(58) **Field of Classification Search**  
USPC ..... D12/204-213; 301/37.101, 64.101, 65, 301/64.201

See application file for complete search history.

(56) **References Cited**

**U.S. PATENT DOCUMENTS**

D407,681 S *	4/1999	Sacco et al.	.....	D12/209
D450,289 S *	11/2001	Chung	.....	D12/211
D454,107 S *	3/2002	Chung	.....	D12/211
D479,177 S *	9/2003	Nordmann	.....	D12/211
D504,102 S *	4/2005	Cheng	.....	D12/211
D513,726 S *	1/2006	Kamimura	.....	D12/211
D515,494 S *	2/2006	Laengerer	.....	D12/211

D516,490 S *	3/2006	Baer	.....	D12/211
D523,386 S *	6/2006	Khan	.....	D12/209
D527,328 S *	8/2006	Pfeiffer	.....	D12/211
D591,663 S *	5/2009	Chung	.....	D12/211
D617,248 S *	6/2010	Zhao	.....	D12/209
D618,605 S *	6/2010	Zhao	.....	D12/209
D639,221 S *	6/2011	Johnson	.....	D12/209
D641,677 S *	7/2011	Weil	.....	D12/209
D641,680 S *	7/2011	Laengerer	.....	D12/211
D644,586 S *	9/2011	Baum	.....	D12/209
D653,598 S *	2/2012	Zhao	.....	D12/211
D659,065 S *	5/2012	Johnson	.....	D12/209
D667,341 S	9/2012	Verhee et al.		

**OTHER PUBLICATIONS**

Jung, Carter, <http://www.roadandtrack.com/car.shows/2011-detroit-auto-show/ford-vertrek-concept>, Ford Vertrek Concept—2011 Detroit Auto Show, Jan. 10, 2011, pp. 1-2.

\* cited by examiner

*Primary Examiner* — Stacia Cadmus

(74) *Attorney, Agent, or Firm* — Damian Porcari; Brooks Kushman P.C.

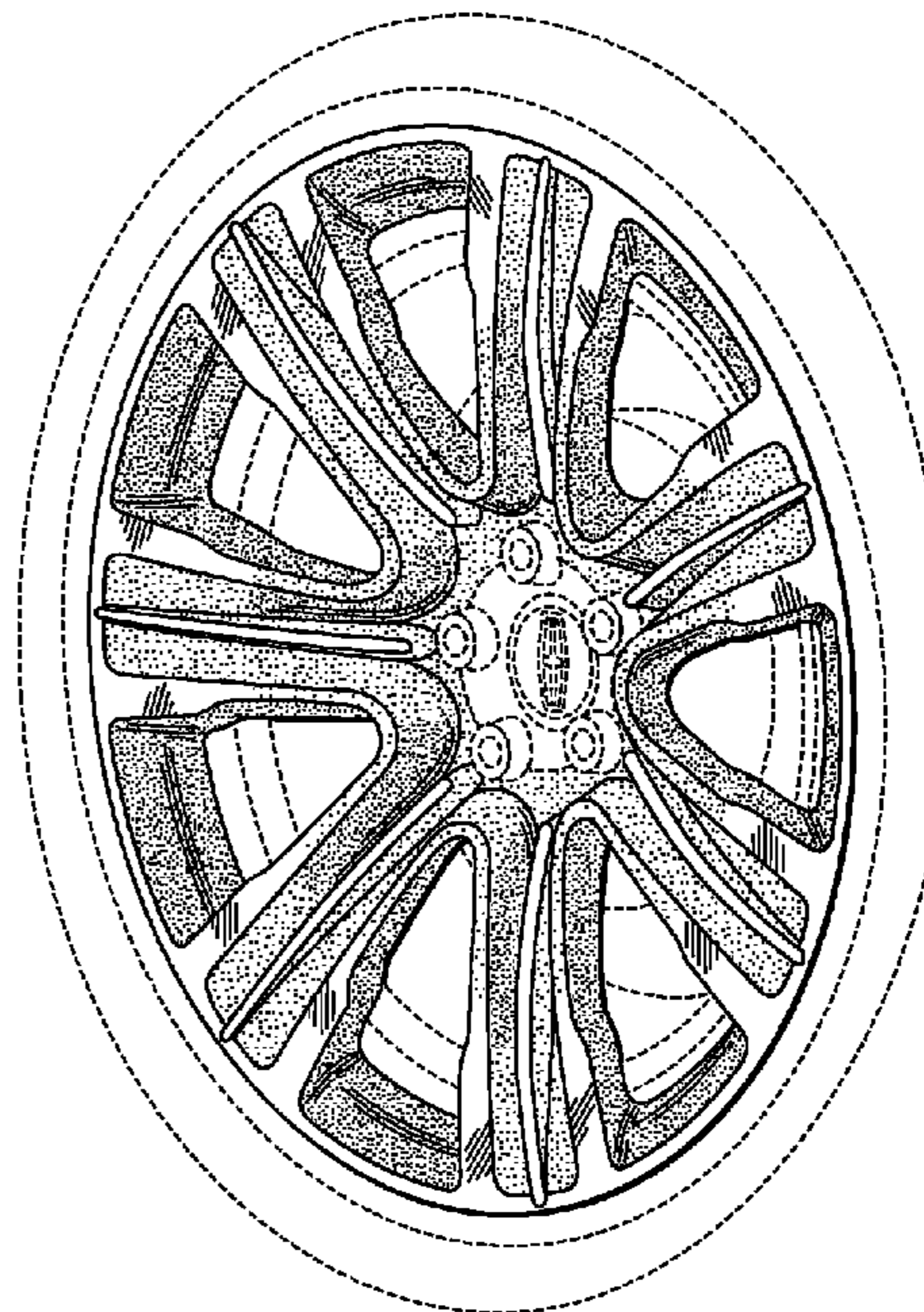
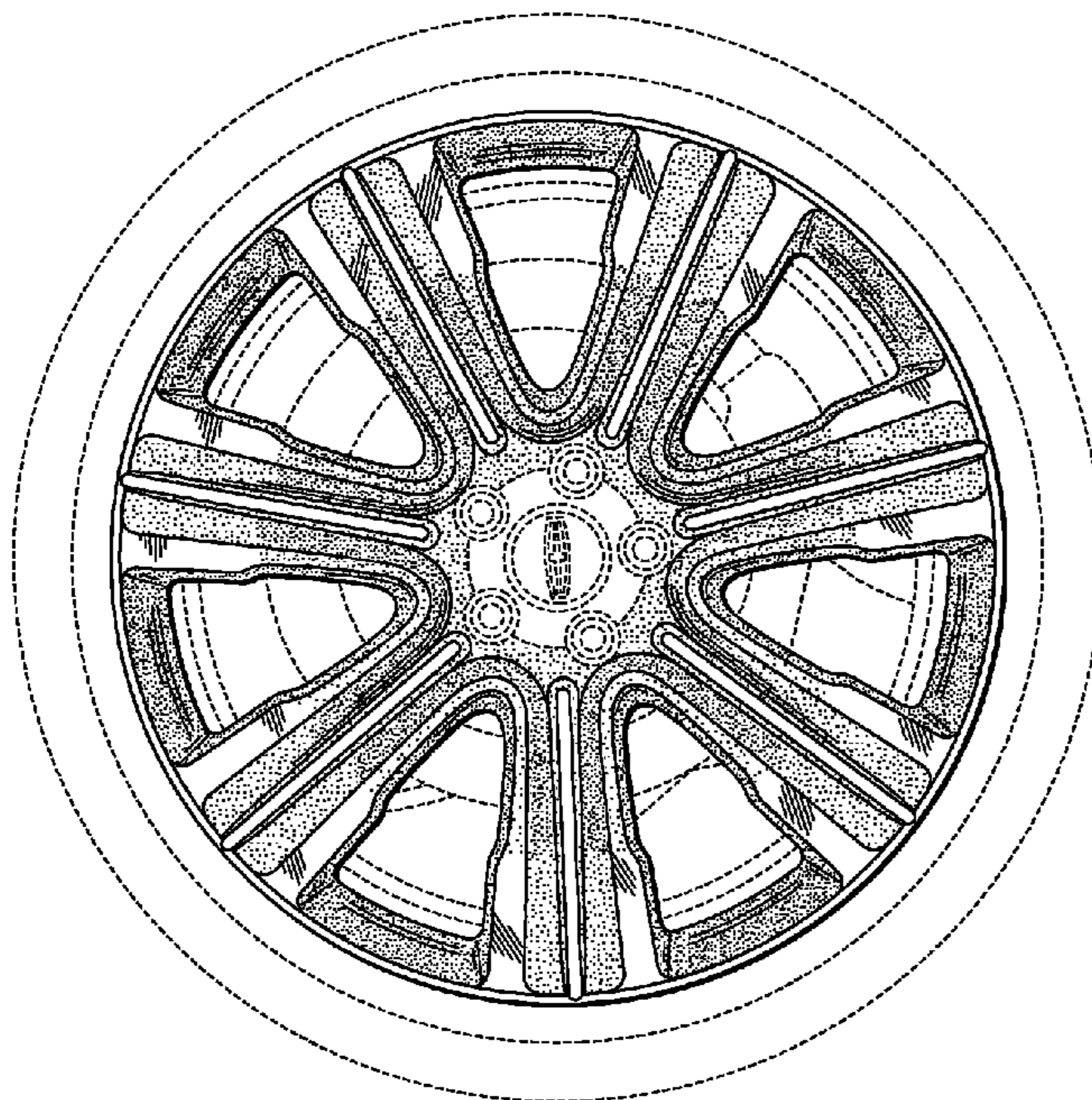
(57) **CLAIM**

The ornamental design for a vehicle wheel cover, as shown and described.

**DESCRIPTION**

FIG. 1 is a front view of a vehicle wheel cover, showing our new design; and, FIG. 2 is a perspective view thereof. The broken lines are for illustrative purposes only and form no part of the claimed design.

**1 Claim, 2 Drawing Sheets**



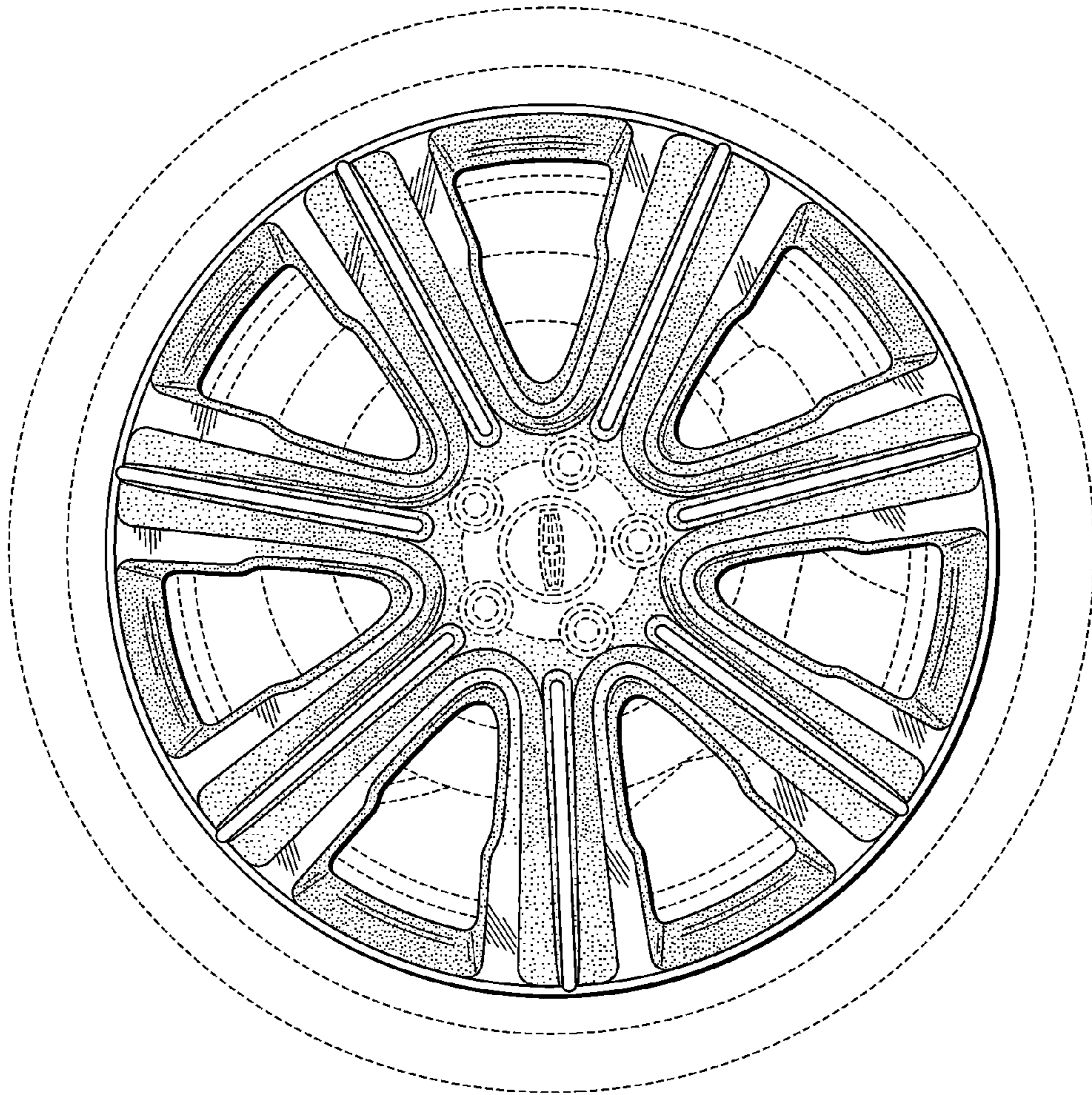


FIG. 1

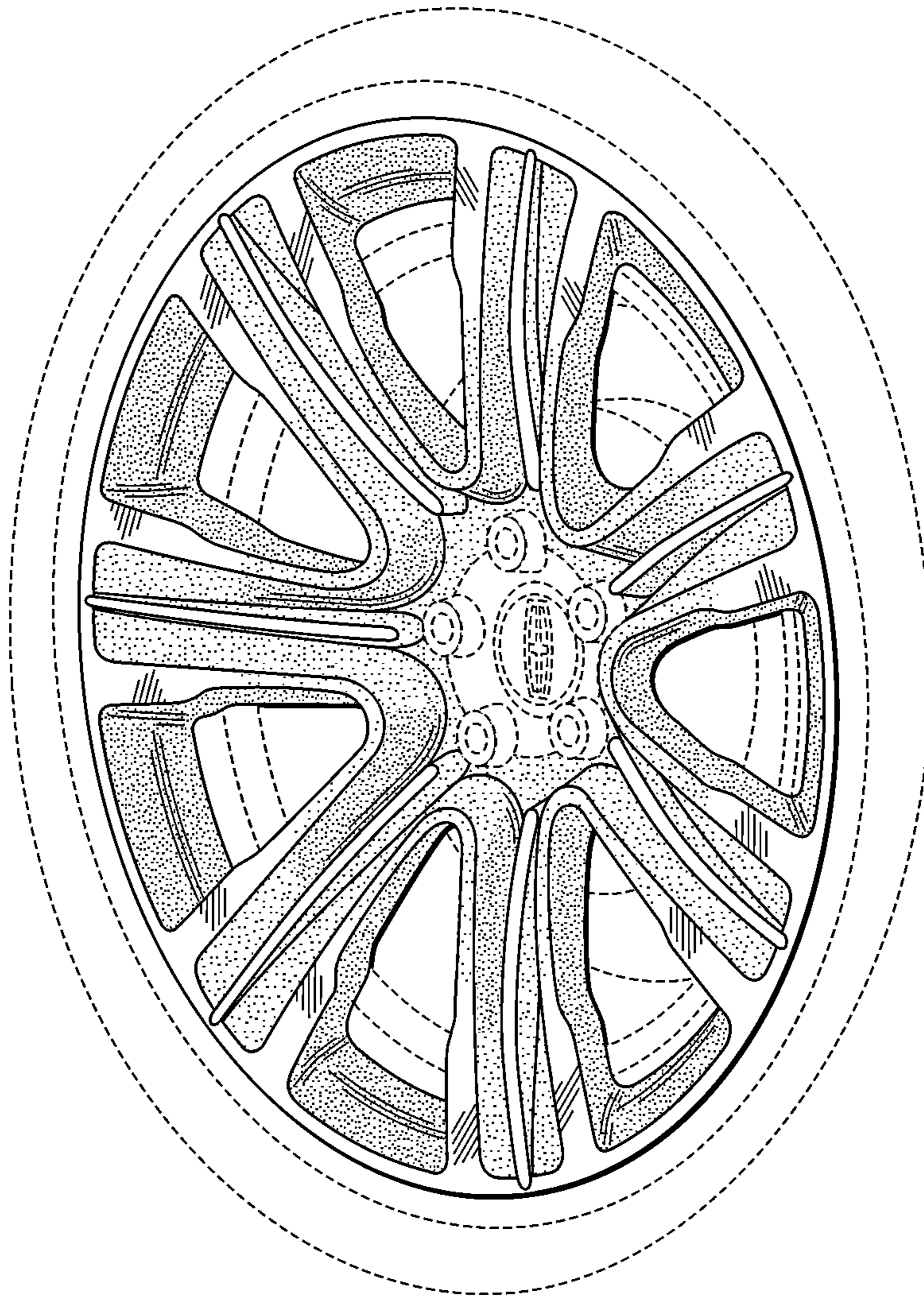


FIG. 2