



US00D696613S

(12) **United States Design Patent**
Okita et al.

(10) **Patent No.:** **US D696,613 S**

(45) **Date of Patent:** **** Dec. 31, 2013**

(54) **INSTRUMENT PANEL FOR AUTOMOBILES**

(75) Inventors: **Takuya Okita**, Wako (JP); **Toshinori Tsukagoshi**, Wako (JP)

(73) Assignee: **Honda Motor Co., Ltd.**, Tokyo (JP)

(**) Term: **14 Years**

(21) Appl. No.: **29/412,764**

(22) Filed: **Feb. 7, 2012**

(30) **Foreign Application Priority Data**

Aug. 8, 2011 (JP) 2011-018174

(51) **LOC (9) Cl.** **12-16**

(52) **U.S. Cl.**
USPC **D12/192**

(58) **Field of Classification Search**
USPC D12/192, 415, 110, 114; 180/90;
280/750-752; 296/190.01-190.09,
296/191, 70; D15/17, 28; D10/46, 98,
D10/102-103, 122-127
See application file for complete search history.

(56) **References Cited**

U.S. PATENT DOCUMENTS

D413,095 S * 8/1999 Abalos et al. D12/192
D470,807 S * 2/2003 Wyszogrod et al. D12/192

D519,893 S * 5/2006 Kabayama et al. D12/192
D549,628 S * 8/2007 Esaki et al. D12/192
D567,162 S * 4/2008 Motozaki et al. D12/192
D567,727 S * 4/2008 Kawaguchi et al. D12/192
D577,640 S * 9/2008 Wyszogrod et al. D12/192
D604,217 S * 11/2009 Kabayama D12/192
D653,185 S * 1/2012 Senda et al. D12/192
D656,074 S * 3/2012 Ohmori et al. D12/192

* cited by examiner

Primary Examiner — Katrina A Betton

(74) *Attorney, Agent, or Firm* — Plumsea Law Group, LLC

(57) **CLAIM**

The ornamental design for an instrument panel for automobiles, as shown and described.

DESCRIPTION

FIG. 1 is an elevational view of an instrument panel for automobiles showing our new design;
FIG. 2 is a top plan view thereof;
FIG. 3 is a side elevational view as viewed from the right side of FIG. 1;
FIG. 4 is a side elevational view as viewed from the left side of FIG. 1;
FIG. 5 is a perspective view thereof; and,
FIG. 6 is another perspective view thereof.
The broken line showings form no part of the claimed design.

1 Claim, 3 Drawing Sheets

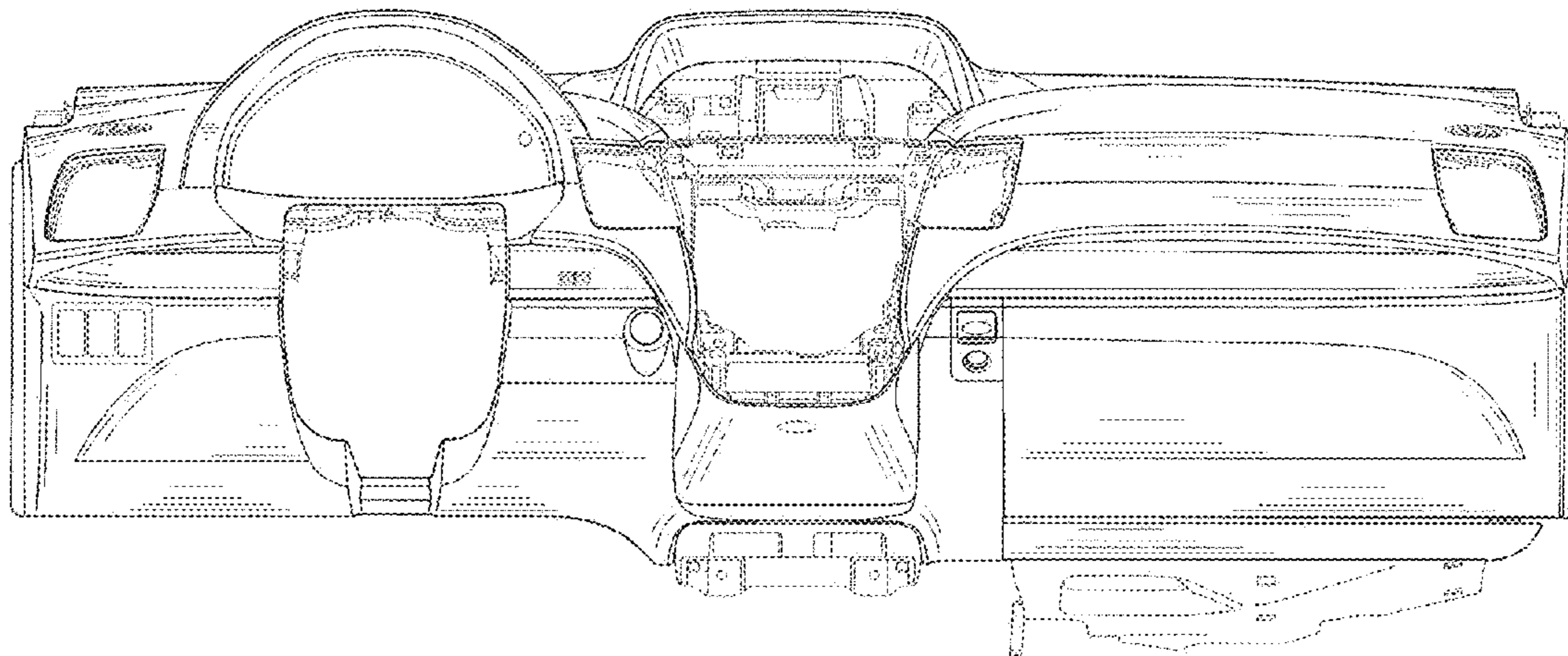


FIG.1

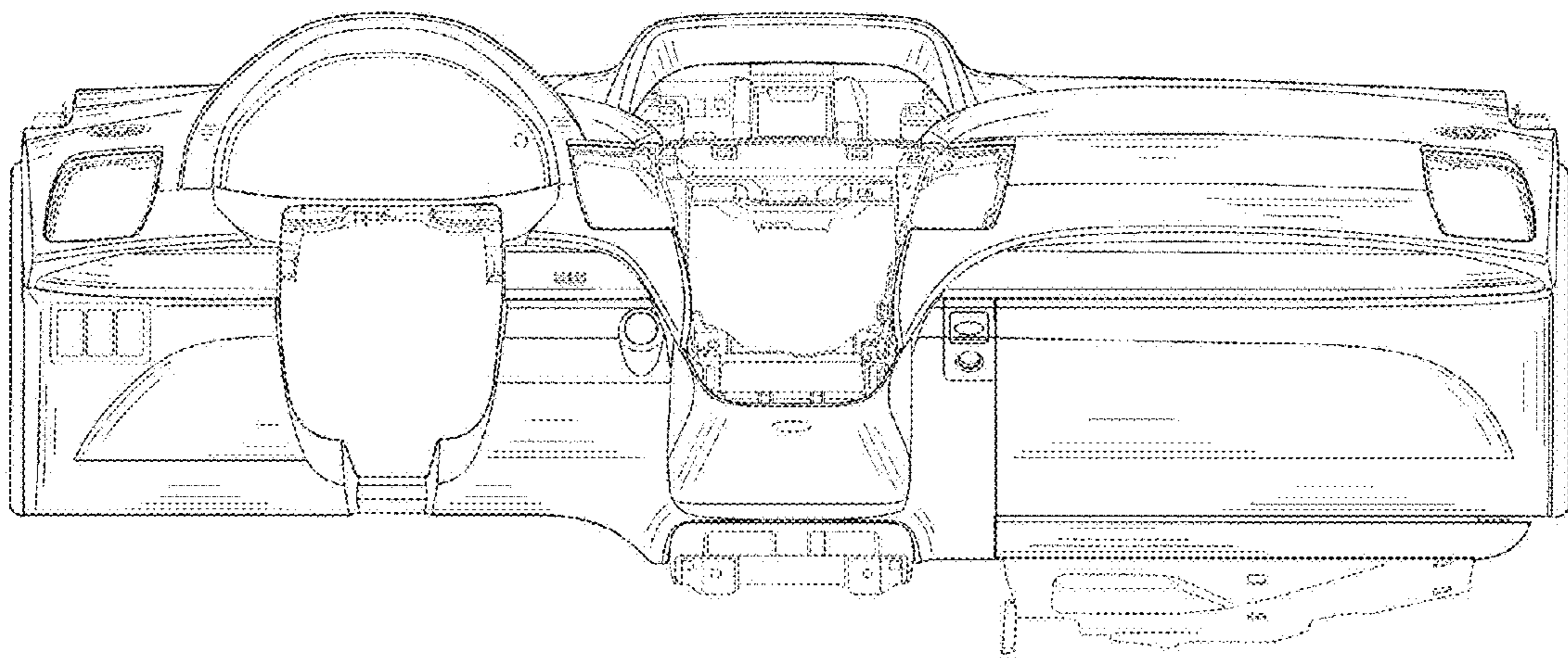


FIG.2

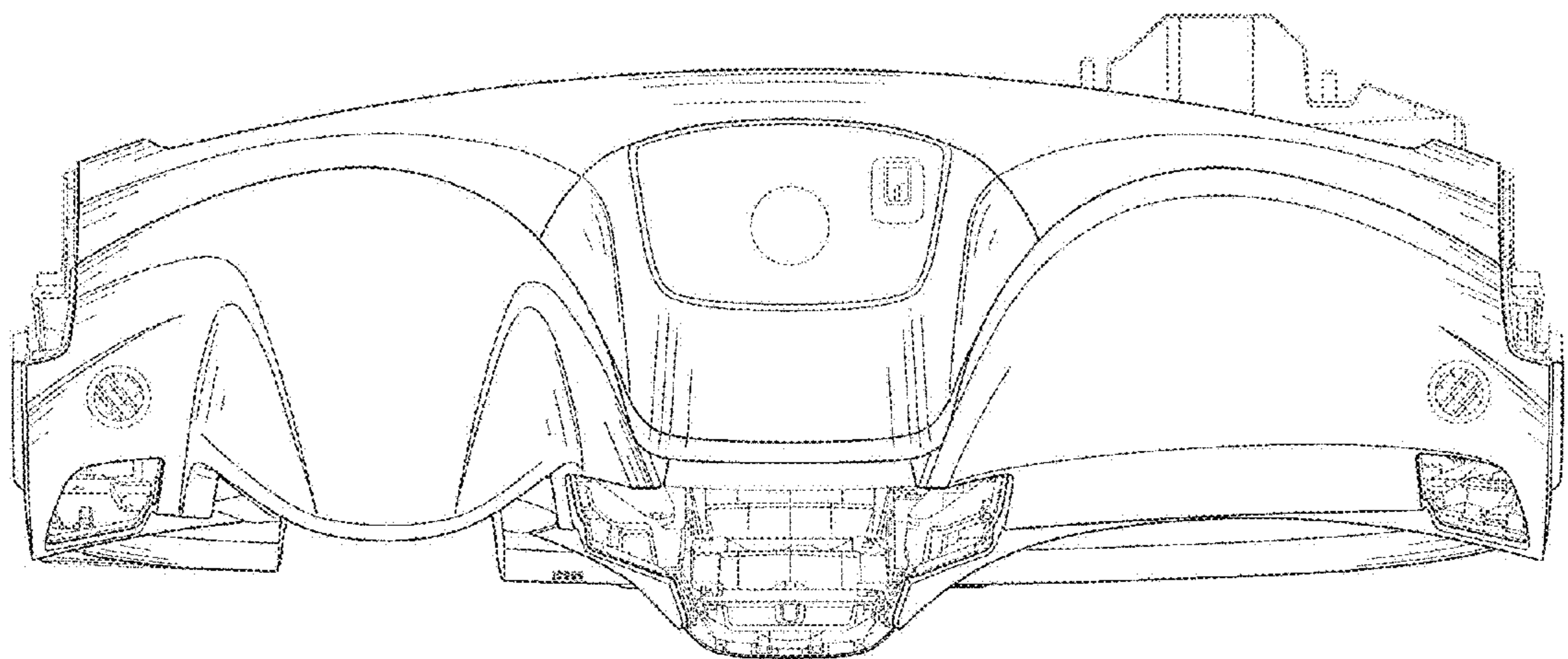


FIG.3

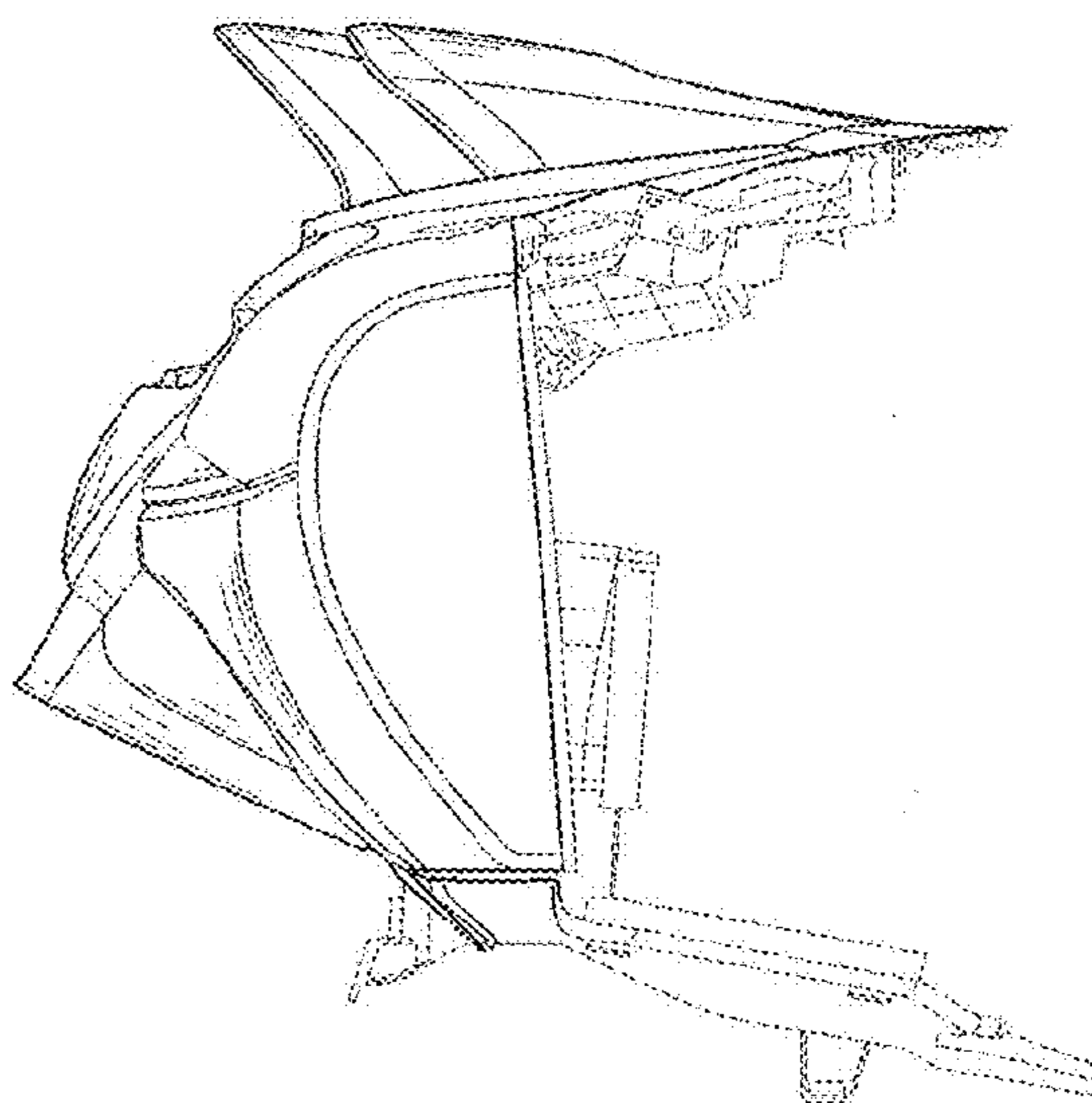


FIG.4

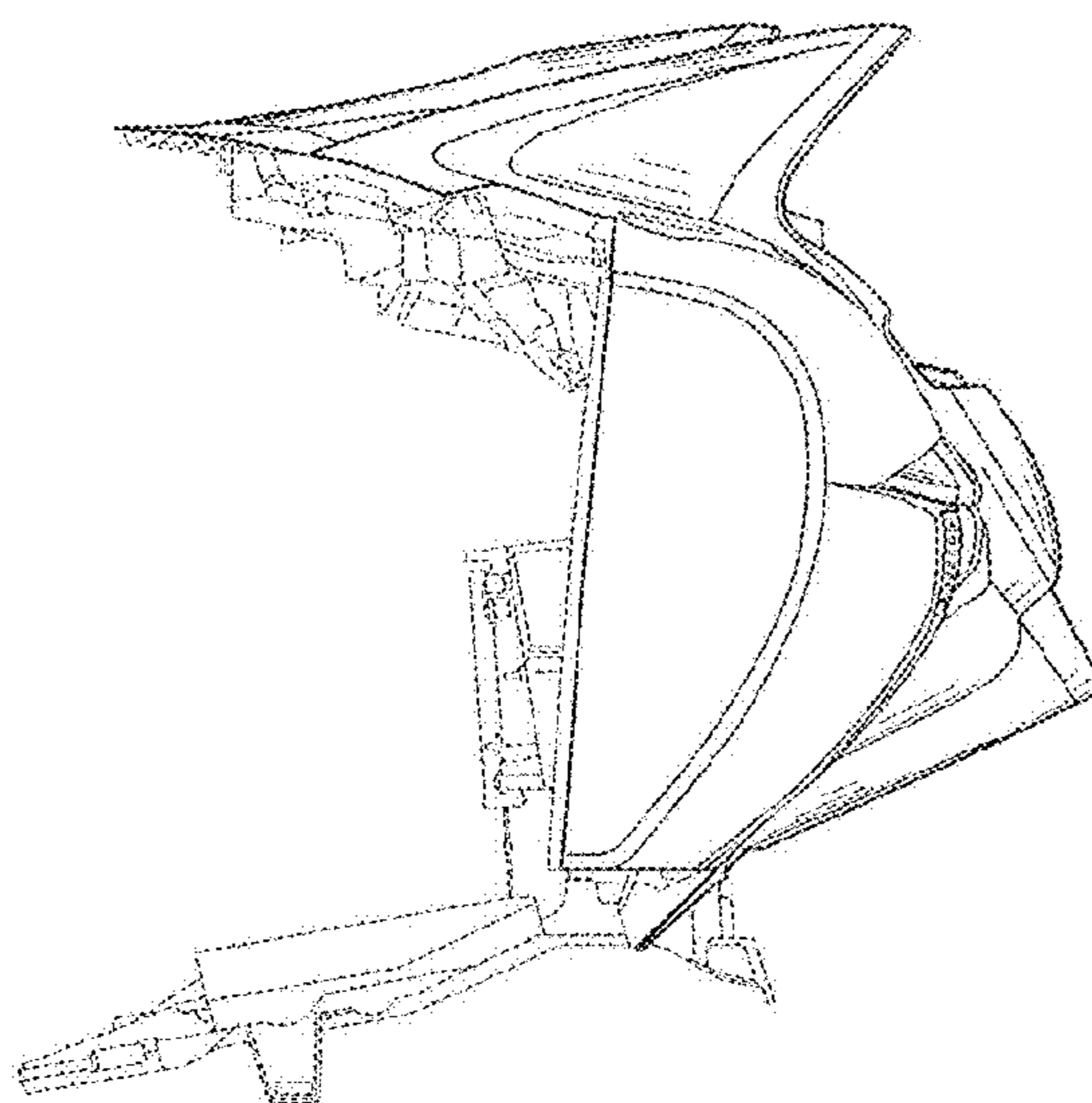


FIG.5

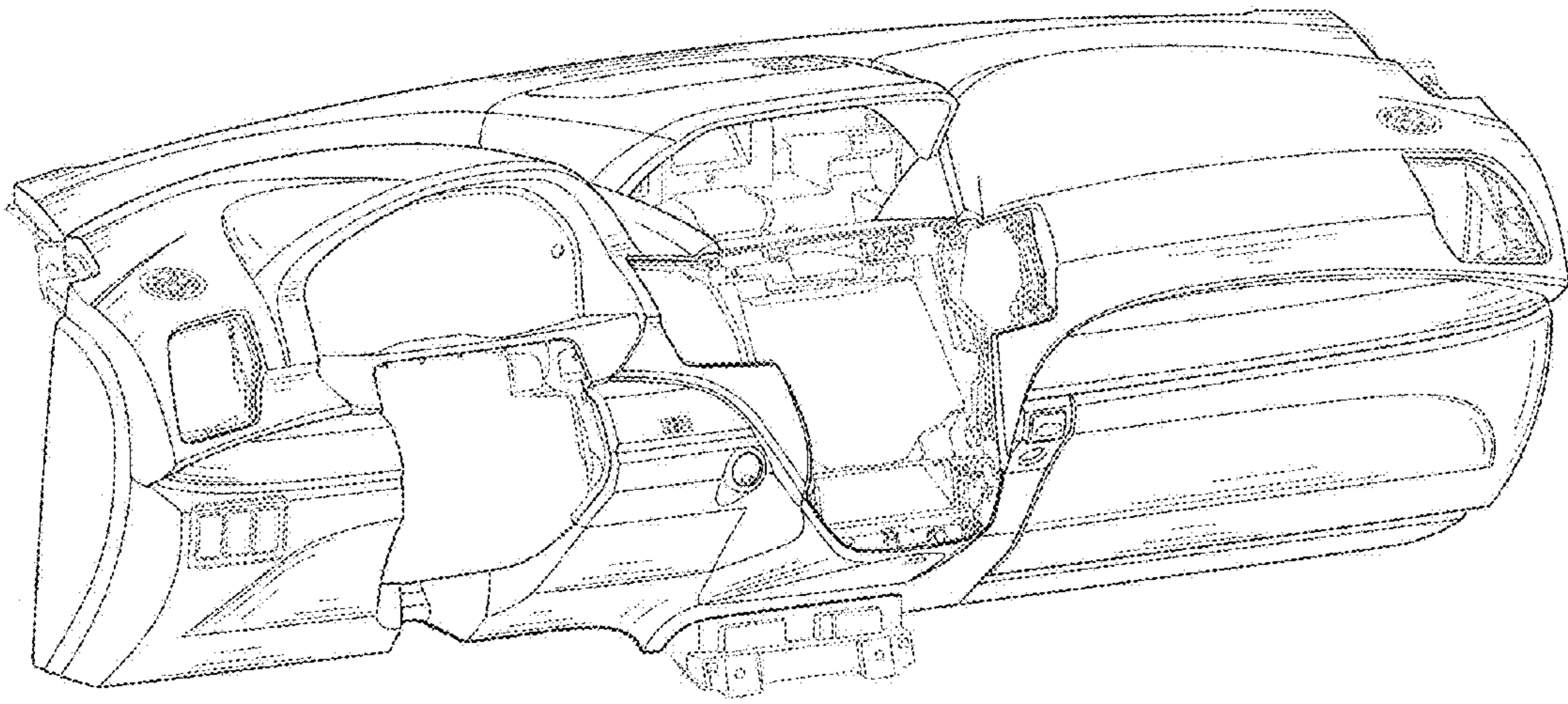


FIG.6

