

US00D696612S

(12) **United States Design Patent**  
**Tada**

(10) **Patent No.:** **US D696,612 S**

(45) **Date of Patent:** **\*\* Dec. 31, 2013**

(54) **FRONT FENDER FOR AN AUTOMOBILE**

(75) Inventor: **Hiroyuki Tada**, Nagoya (JP)

(73) Assignee: **Toyota Jidosha Kabushiki Kaisha**,  
Toyota-shi, Aichi-ken (JP)

(\*\*) Term: **14 Years**

(21) Appl. No.: **29/424,140**

(22) Filed: **Jun. 7, 2012**

(30) **Foreign Application Priority Data**

Mar. 9, 2012 (JP) ..... 2012-005419

(51) **LOC (9) Cl.** ..... **12-16**

(52) **U.S. Cl.**  
USPC ..... **D12/184**

(58) **Field of Classification Search**  
USPC ..... D12/184, 196, 90-92, 181; 280/152.1,  
280/847-849, 851; 296/181.1, 181.5  
See application file for complete search history.

(56) **References Cited**

**U.S. PATENT DOCUMENTS**

D570,752 S	6/2008	Hirose et al.	
D599,722 S	9/2009	Kimura et al.	
D602,821 S	10/2009	Tada et al.	
D642,501 S	8/2011	Yokoi et al.	
D647,835 S	11/2011	Sowa	
D649,093 S	11/2011	Yokoi et al.	
D655,650 S	3/2012	Yokoi	
D655,651 S	3/2012	Koide	
D656,870 S	4/2012	Hakamata	
D658,100 S	4/2012	Kubo	
D660,204 S	5/2012	Kodie et al.	
D660,214 S *	5/2012	Cartabiano et al.	..... D12/184

D672,295 S *	12/2012	Yamada et al.	..... D12/184
D679,230 S *	4/2013	Aikawa et al.	..... D12/184
D681,523 S *	5/2013	Messale	..... D12/184
D682,171 S *	5/2013	Fuchigami et al.	..... D12/184

**OTHER PUBLICATIONS**

Catalogue of Toyota Voxy; Voxy; Mfg.: Toyota; Publisher: Toyota Jidosha Kabushiki Kaisha (2001).

Catalogue of Toyota dB; dB; Mfg.: Toyota; Publisher: Toyota Jidosha Kabushiki Kaisha (2010).

Netcarshow.com; Chevrolet Astro (1999); Mfg.: Chevrolet; http://www.netcarshow.com/chevrolet/1999-astro/ (1999).

\* cited by examiner

*Primary Examiner* — Melody Brown

(74) *Attorney, Agent, or Firm* — Finnegan, Henderson, Farabow, Garrett & Dunner, LLP

(57) **CLAIM**

The ornamental design for a front fender for an automobile, as shown and described.

**DESCRIPTION**

FIG. 1 is a perspective view of a front fender for an automobile showing my new design;

FIG. 2 is a front view thereof;

FIG. 3 is rear view thereof;

FIG. 4 is a left side view thereof;

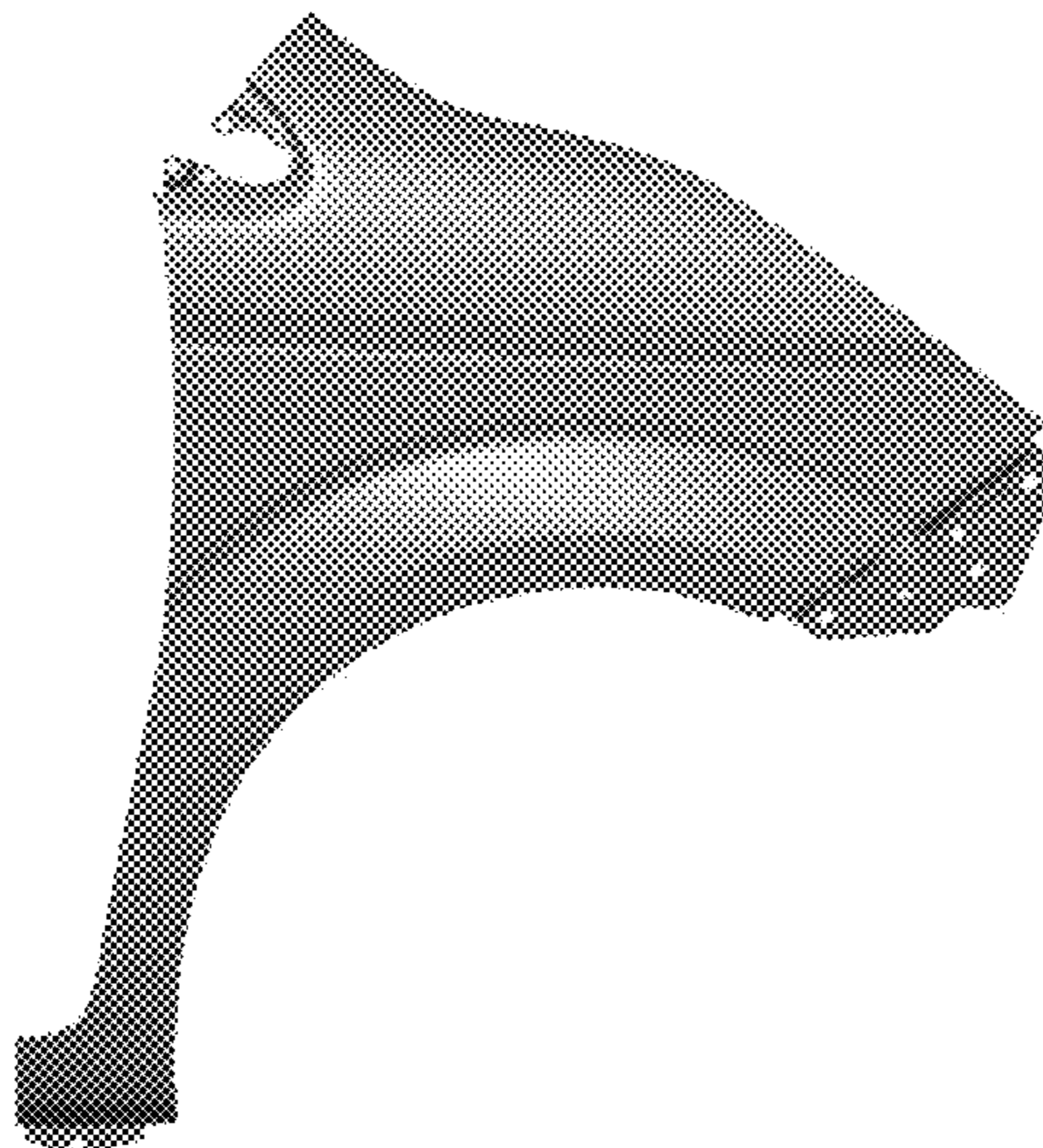
FIG. 5 is a right side view thereof;

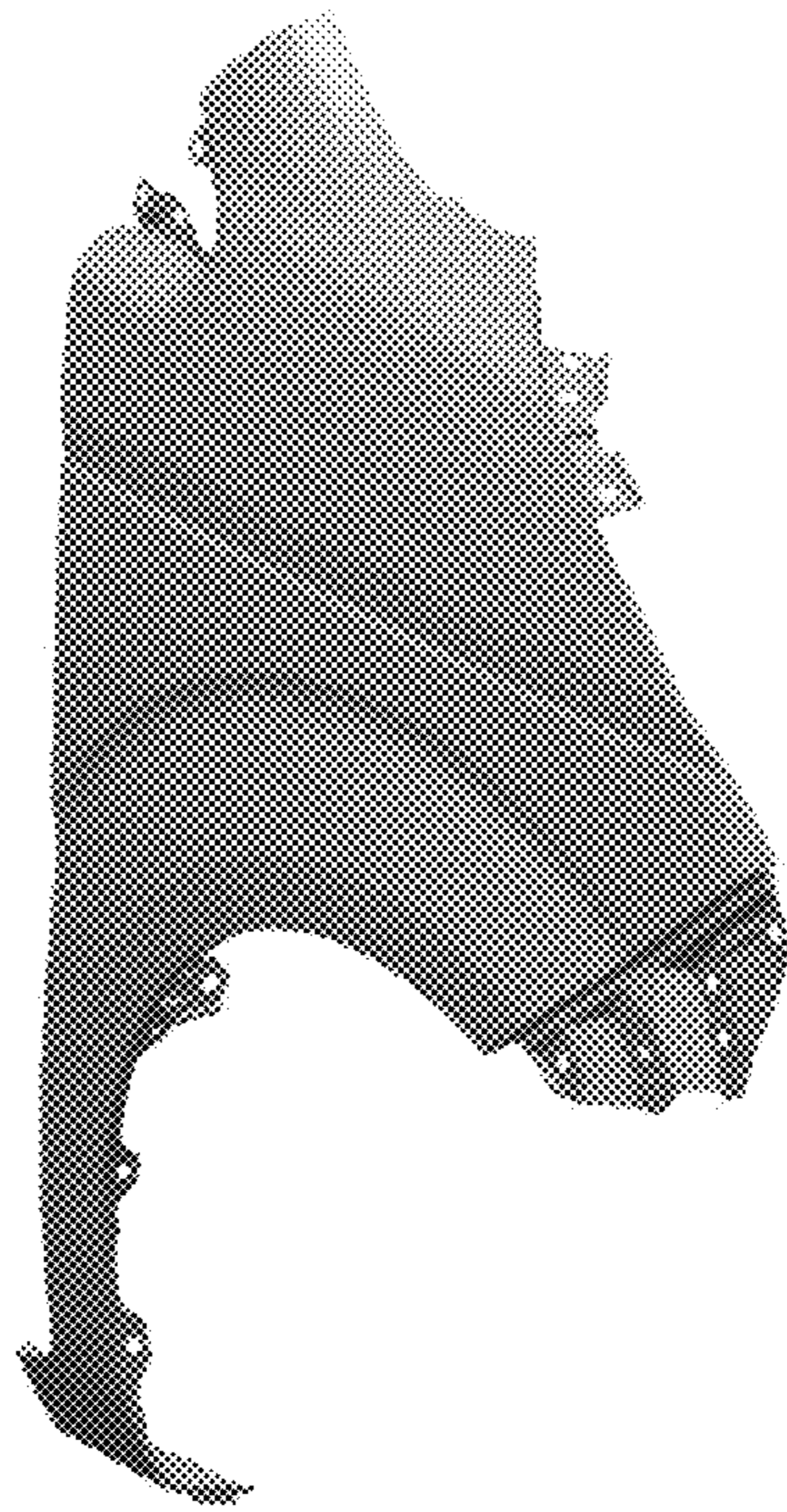
FIG. 6 is a top plan view thereof; and,

FIG. 7 is a bottom view.

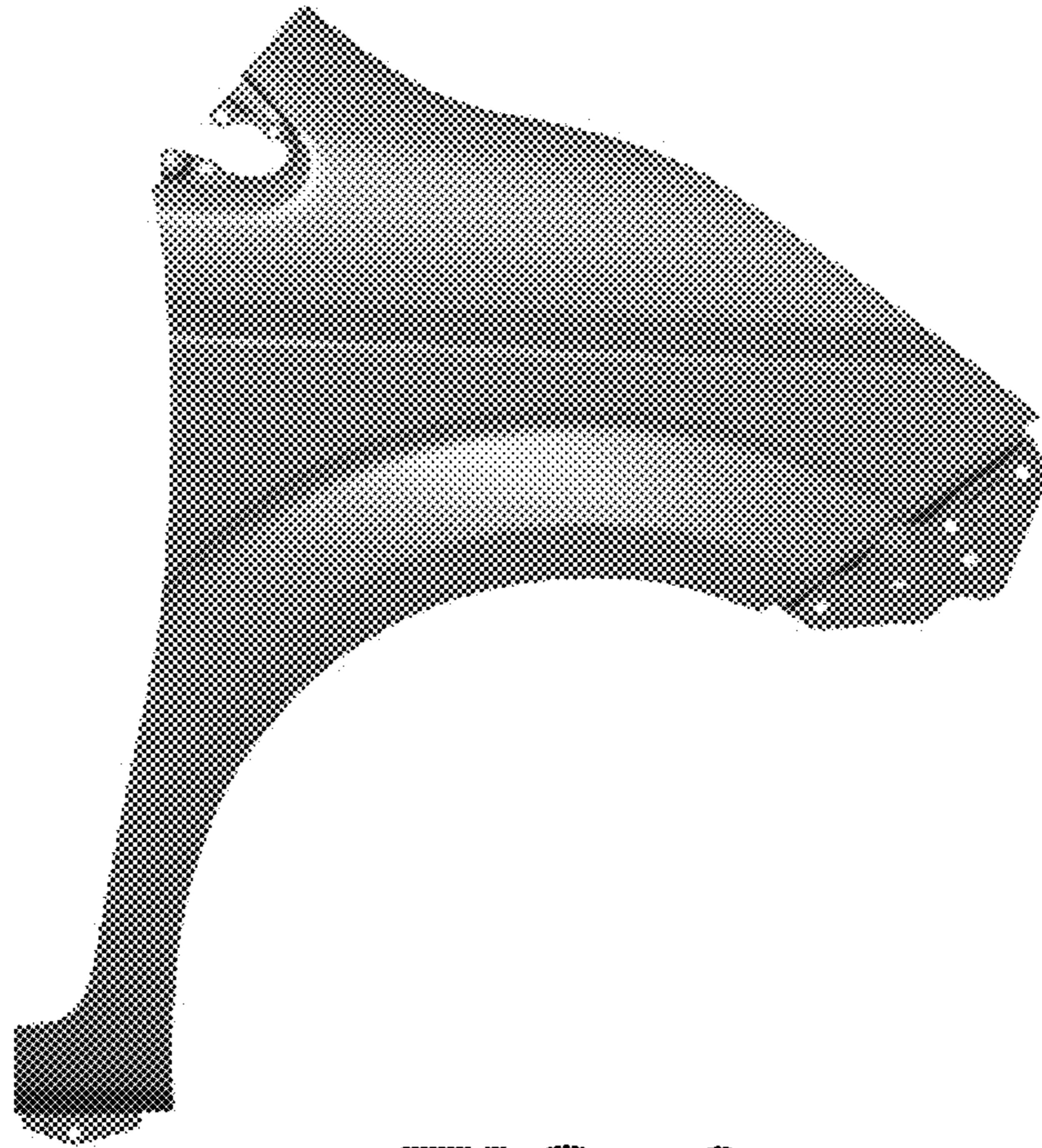
My design includes the mirror image of the embodiment depicted.

**1 Claim, 4 Drawing Sheets**

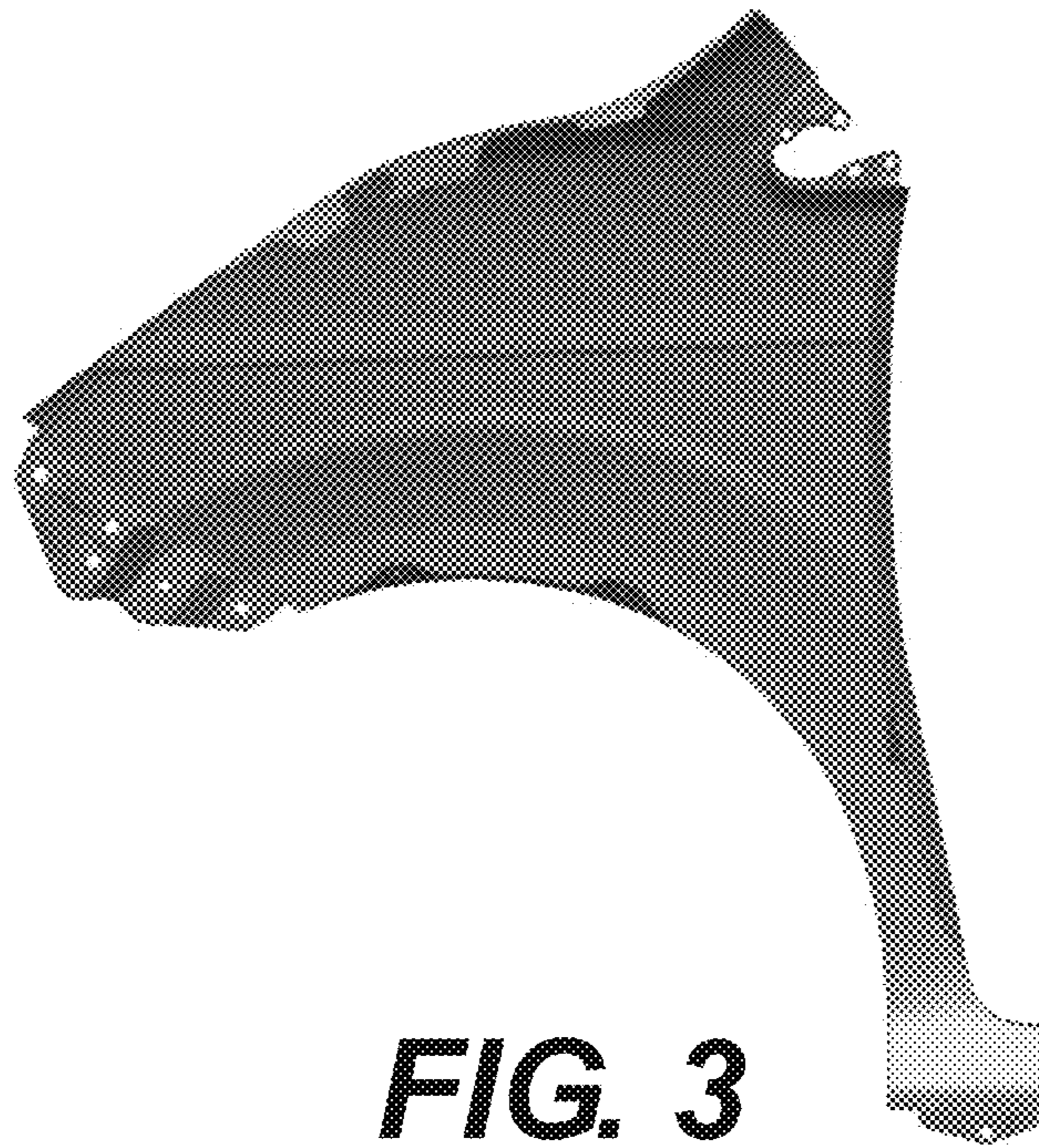




***FIG. 1***



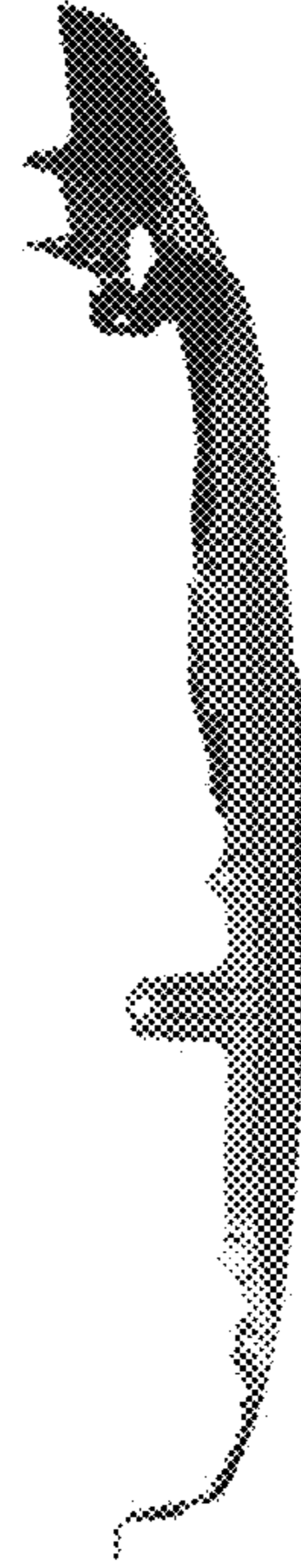
**FIG. 2**



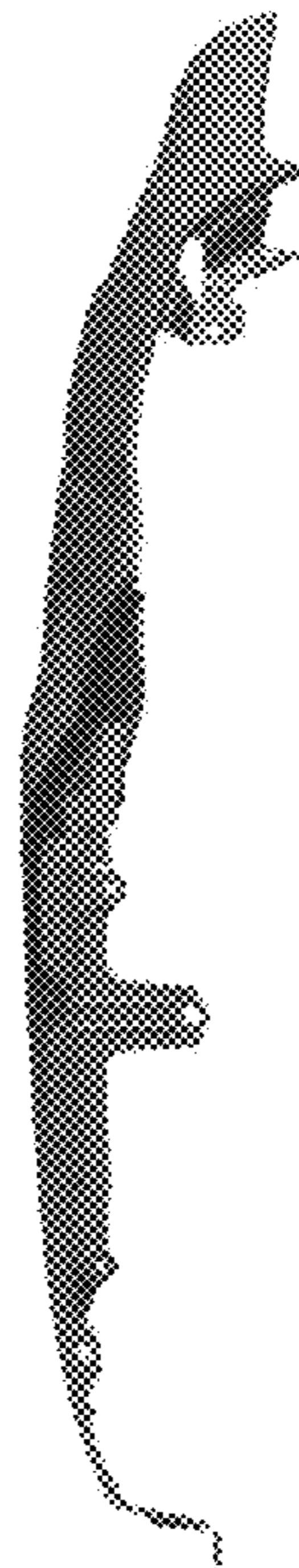
**FIG. 3**

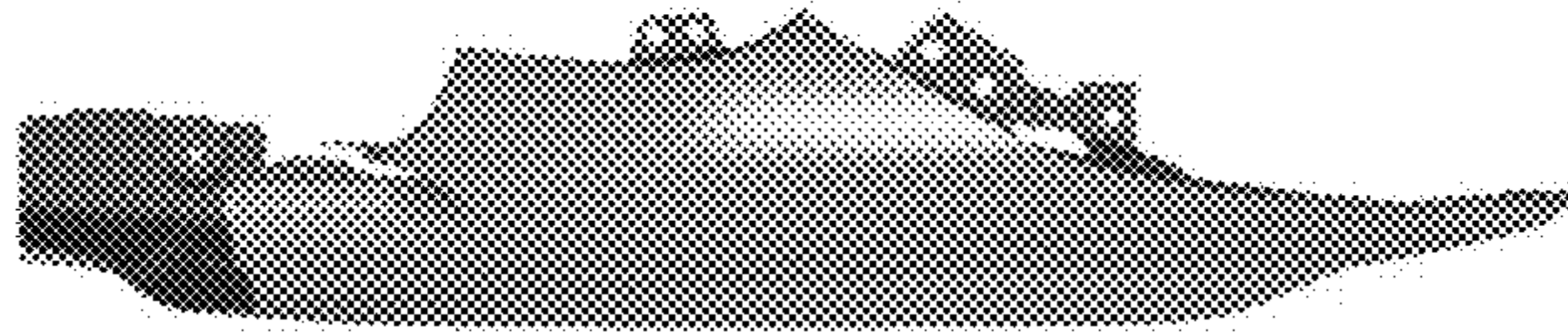


**FIG. 4**

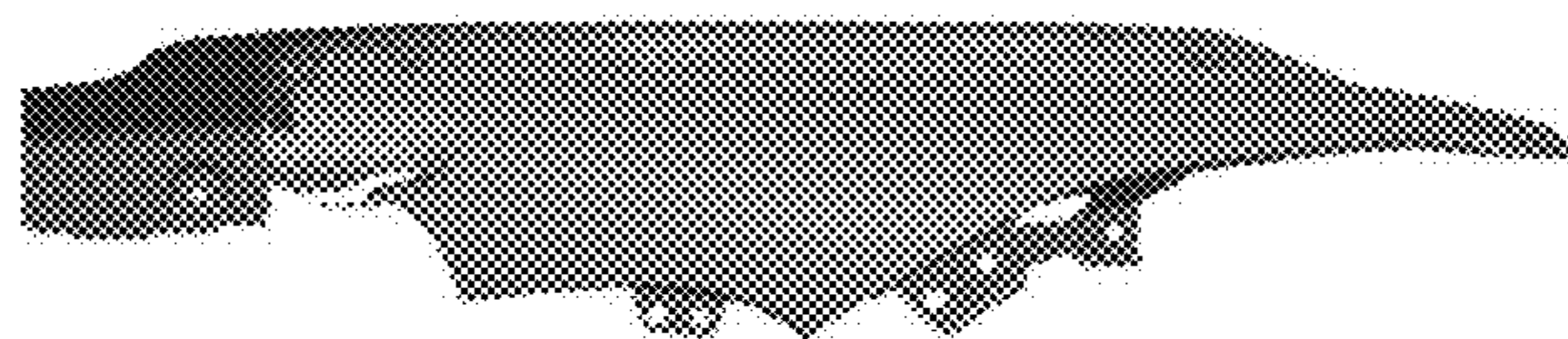


**FIG. 5**





***FIG. 6***



***FIG. 7***