



US00D696611S

(12) **United States Design Patent**  
**Kwon et al.**

(10) **Patent No.:** **US D696,611 S**  
(45) **Date of Patent:** **\*\* Dec. 31, 2013**

(54) **FRONT BUMPER FOR AN AUTOMOBILE**

FOREIGN PATENT DOCUMENTS

(75) Inventors: **Pansoo Kwon**, Okazaki (JP); **Yuji Fujiwara**, Toyokawa (JP)

JP D1422681 8/2011

(73) Assignee: **Toyota Jidosha Kabushiki Kaisha**, Toyota-shi, Aichi-ken (JP)

OTHER PUBLICATIONS

(\*\*) Term: **14 Years**

Netcarshow.com, Honda CR-Z, Mfg. Honda; [http://www.netcarshow.com/honda/2011-cr-z/800x600/wallpaper\\_21.htm](http://www.netcarshow.com/honda/2011-cr-z/800x600/wallpaper_21.htm), Jun. 2011.

(21) Appl. No.: **29/425,123**

Netcarshow.com, Lexus LF-A, Mfg. Toyota; [http://www.netcarshow.com/lexus/2011-1fa/800x600/wallpaper\\_43.htm](http://www.netcarshow.com/lexus/2011-1fa/800x600/wallpaper_43.htm), Jun. 2011.

(22) Filed: **Jun. 20, 2012**

Newcarshow.com, Audi A4, Mfg. Audi; [http://netcarshow.com/sudi/2009-a4/1024x768/wallpaper\\_03.htm](http://netcarshow.com/sudi/2009-a4/1024x768/wallpaper_03.htm); Mar. 2011.

(30) **Foreign Application Priority Data**

Netcarshow.com, Lexus CT200h, Mfg. Toyota; [http://www.netcarshow.com/lexus/2011-ct\\_200h/800x600/wallpaper\\_45.htm](http://www.netcarshow.com/lexus/2011-ct_200h/800x600/wallpaper_45.htm); Mar. 2011.

Dec. 27, 2011 (JP) ..... 2011-030126

\* cited by examiner

(51) **LOC (9) Cl.** ..... **12-16**

*Primary Examiner* — Melody Brown

(52) **U.S. Cl.**

(74) *Attorney, Agent, or Firm* — Finnegan, Henderson, Farabow, Garrett & Dunner, LLP

USPC ..... **D12/169**

(58) **Field of Classification Search**

(57) **CLAIM**

USPC ..... D12/169, 196, 171, 216, 163, 86,  
D12/90–92; 293/102, 113, 115, 117, 120;  
296/180.1, 180.2

The ornamental design for the front bumper for an automobile, as shown and described.

See application file for complete search history.

**DESCRIPTION**

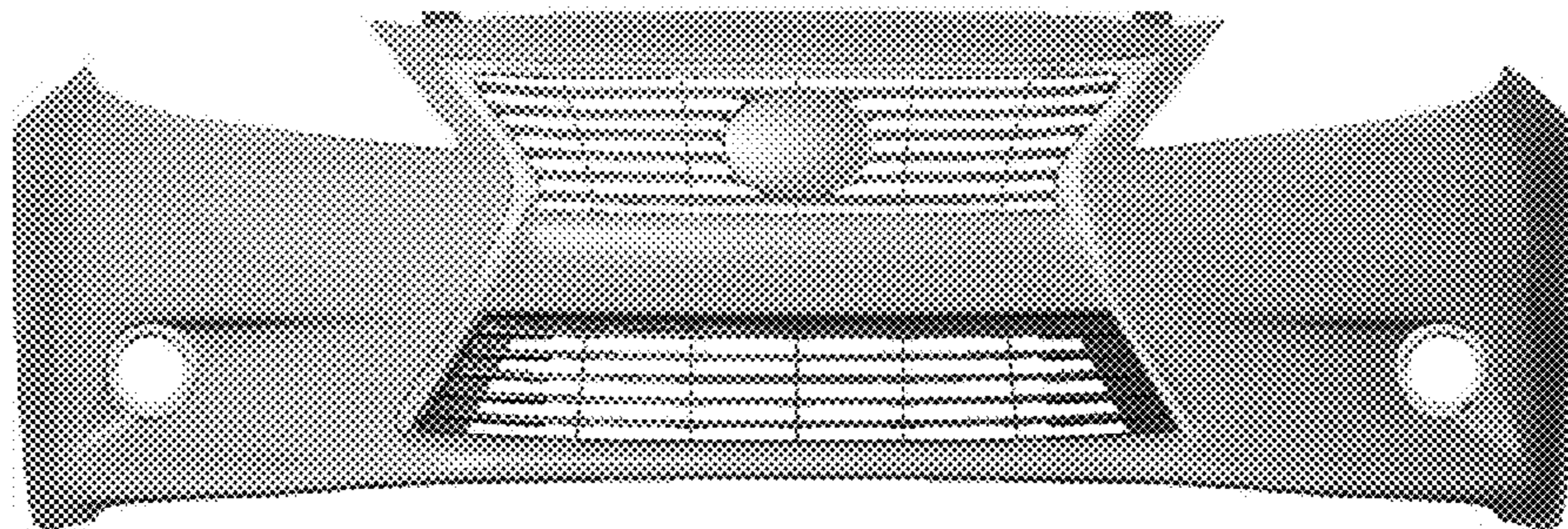
(56) **References Cited**

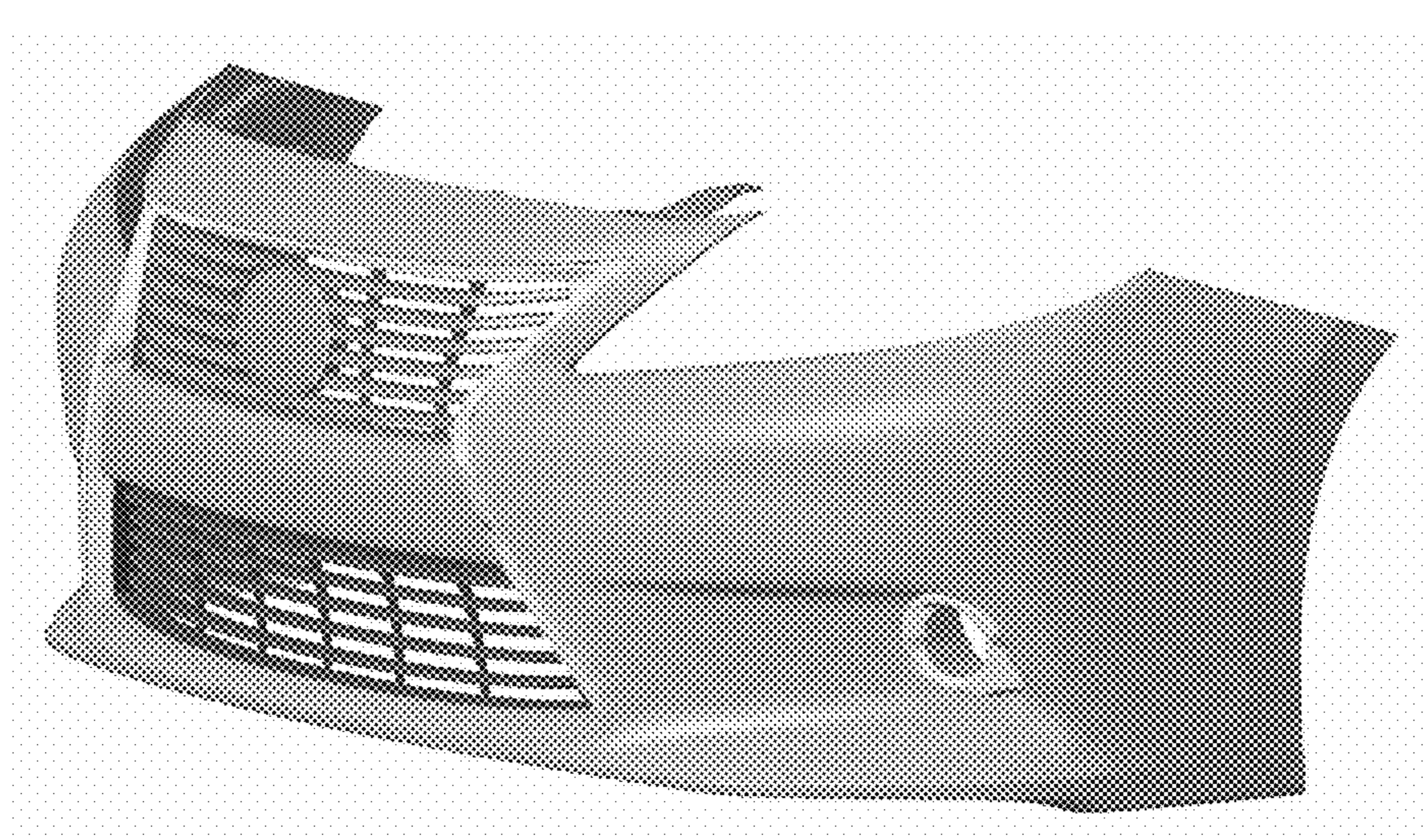
FIG. 1 is a perspective view of a front bumper for an automobile showing our new design;  
FIG. 2 is a front view thereof;  
FIG. 3 is a rear view thereof;  
FIG. 4 is a right side elevation view thereof;  
FIG. 5 is a left side elevation view thereof;  
FIG. 6 is a top plan view thereof; and,  
FIG. 7 is a bottom view thereof.

**U.S. PATENT DOCUMENTS**

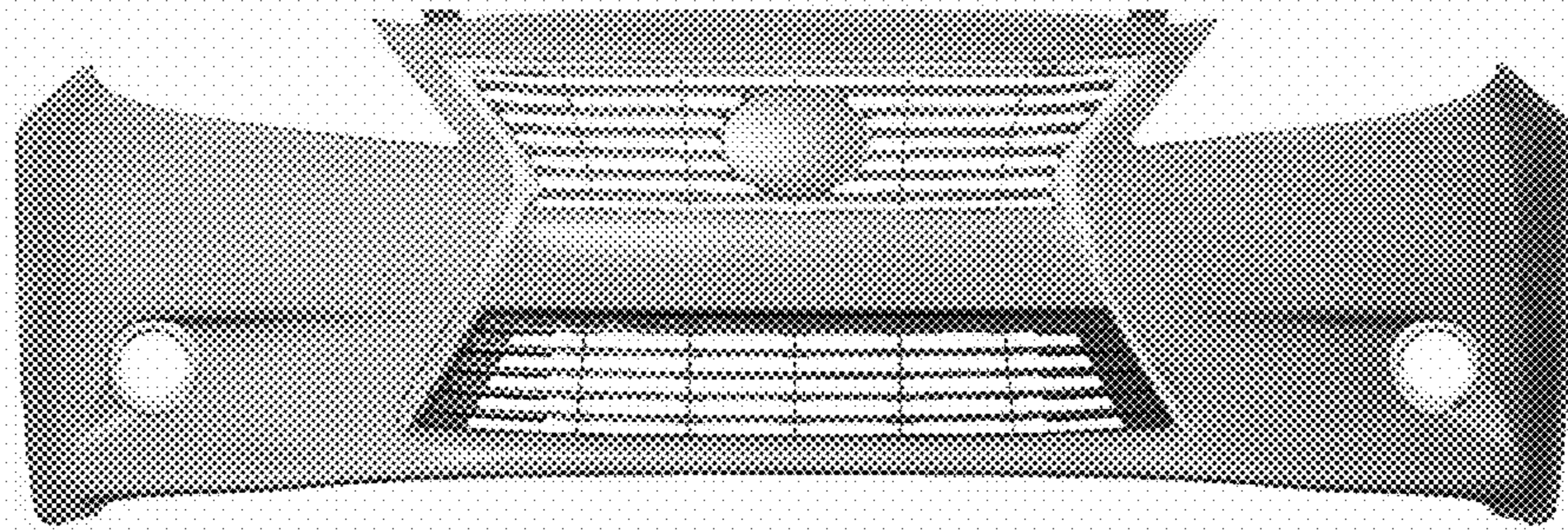
D619,503 S	7/2010	Ishibashi et al.	
D619,514 S	7/2010	Syouji et al.	
D655,651 S *	3/2012	Koide et al.	D12/164
D660,205 S *	5/2012	Hotta et al.	D12/169
D674,731 S *	1/2013	Nagafuchi et al.	D12/169
D680,478 S *	4/2013	Munakata et al.	D12/169
D683,284 S *	5/2013	Yoshida et al.	D12/169

**1 Claim, 4 Drawing Sheets**

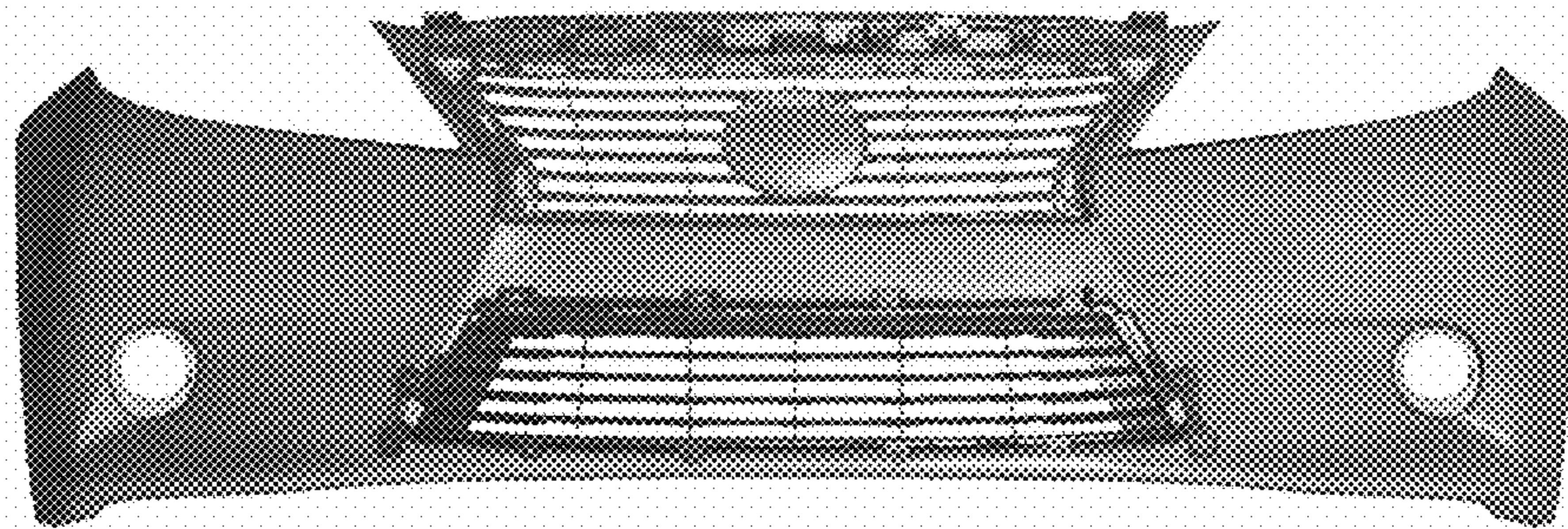




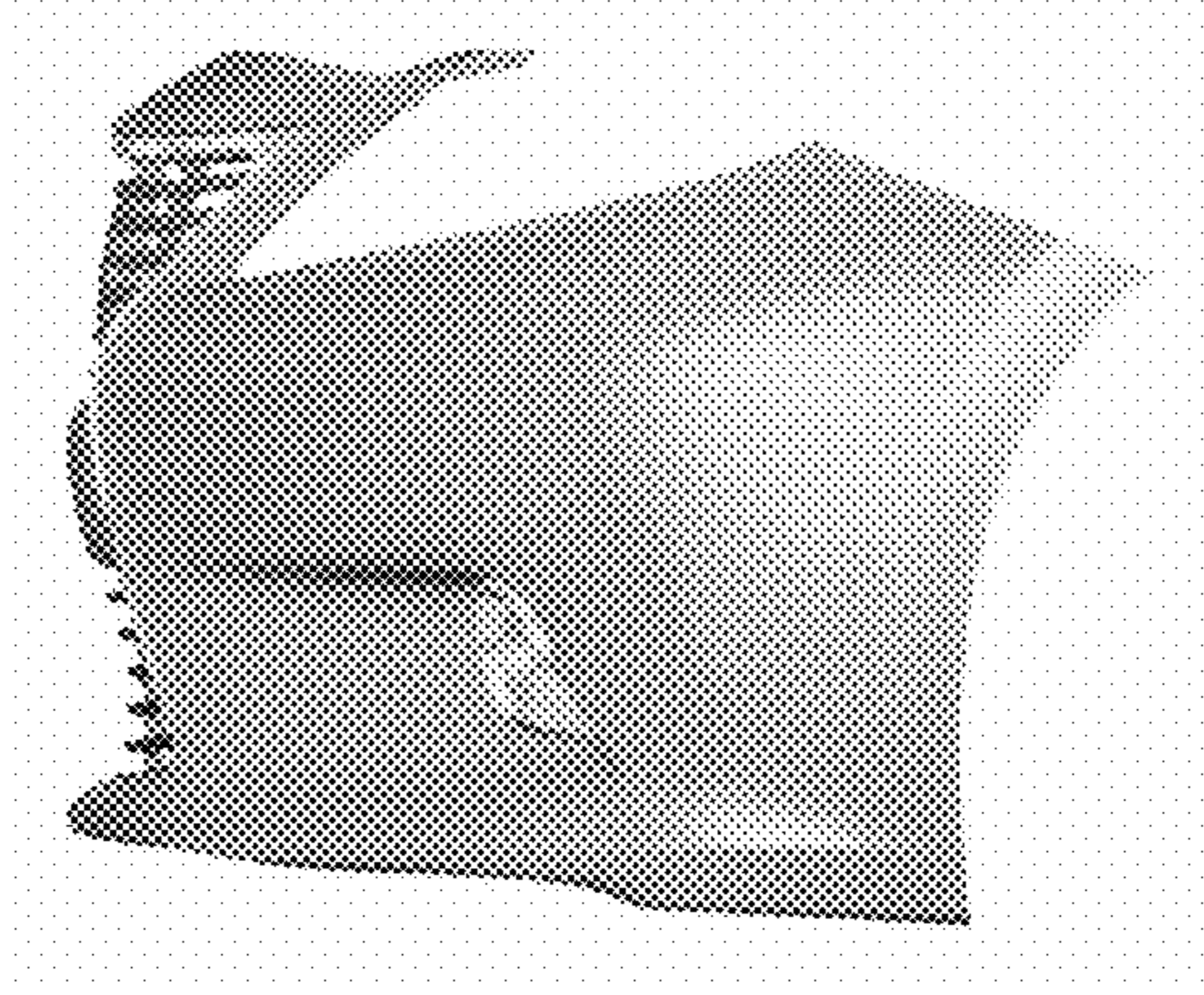
**FIG. 1**



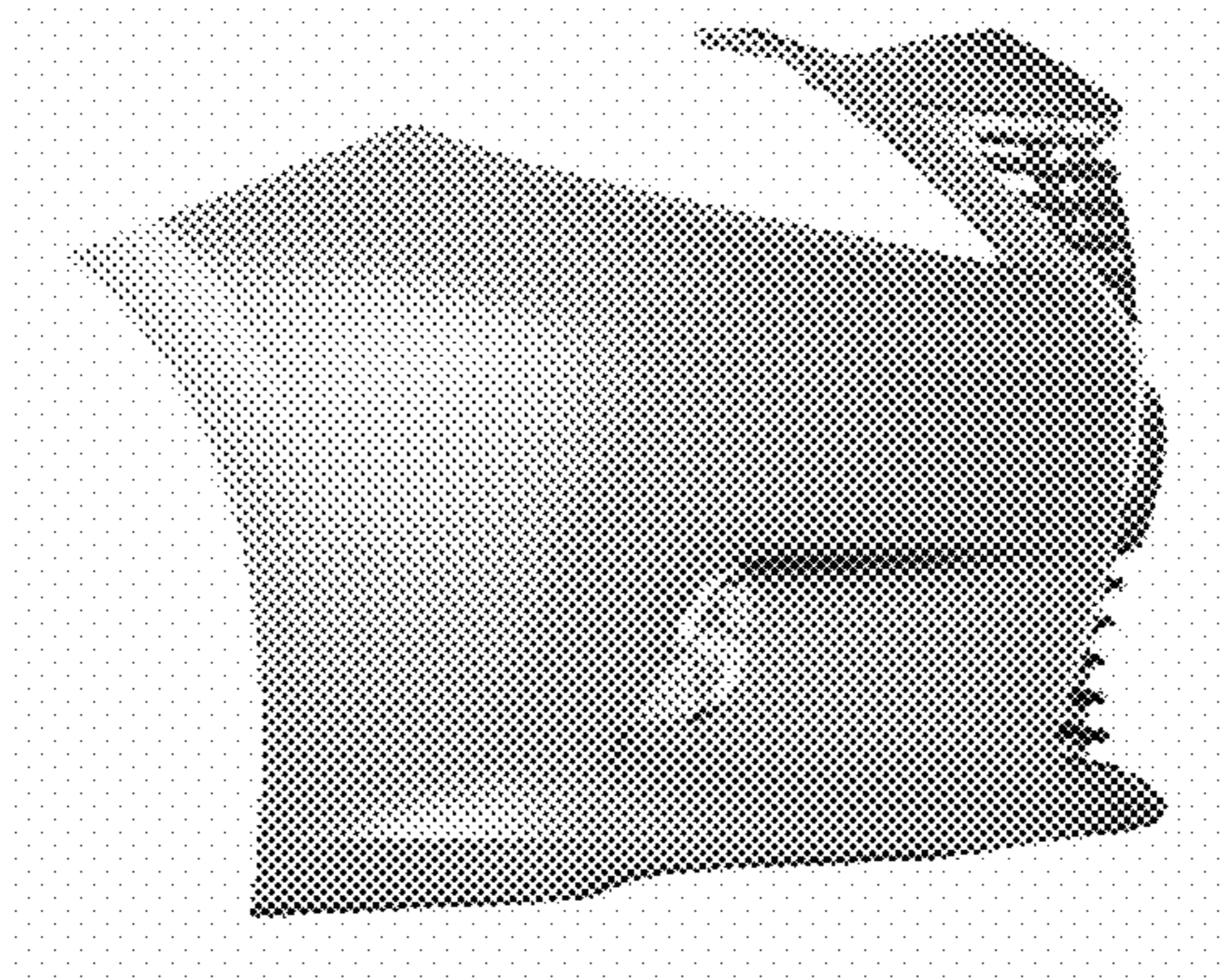
**FIG. 2**



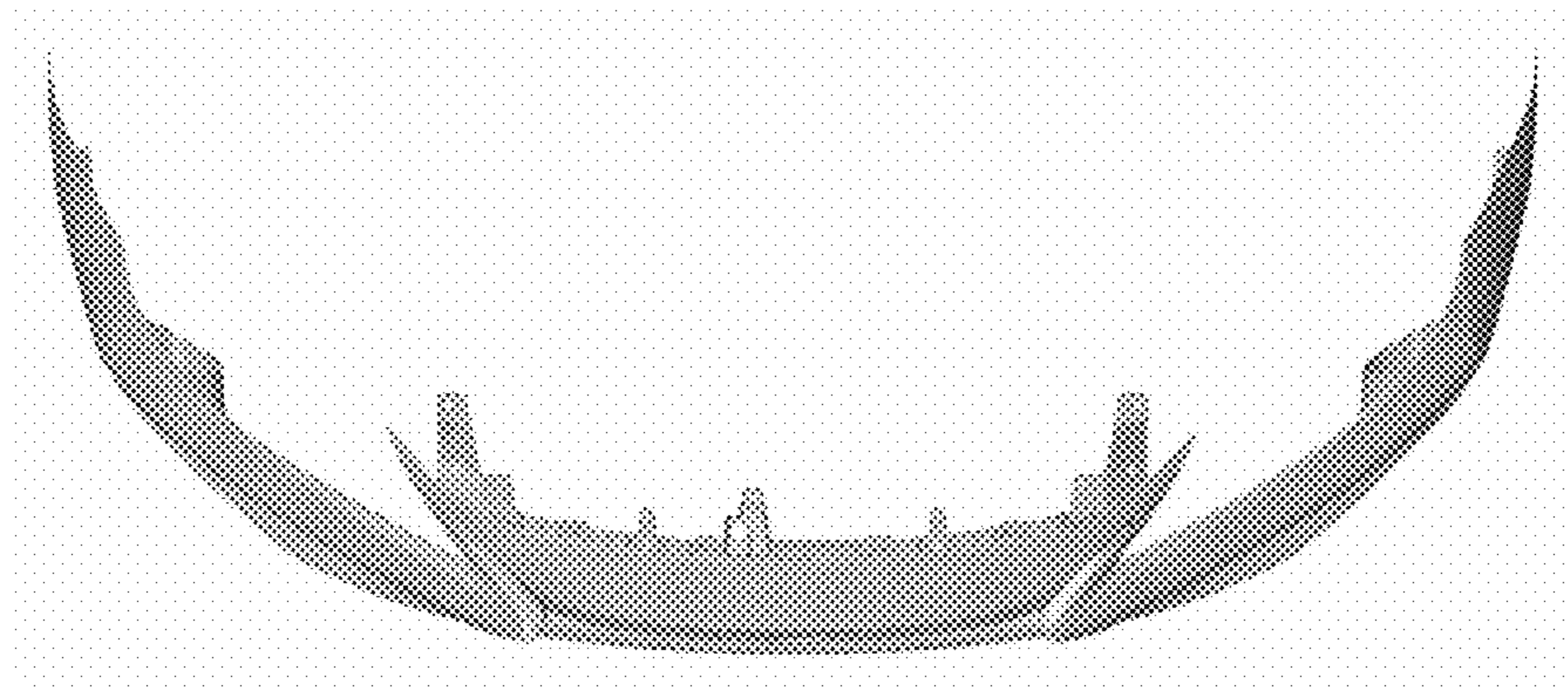
**FIG. 3**



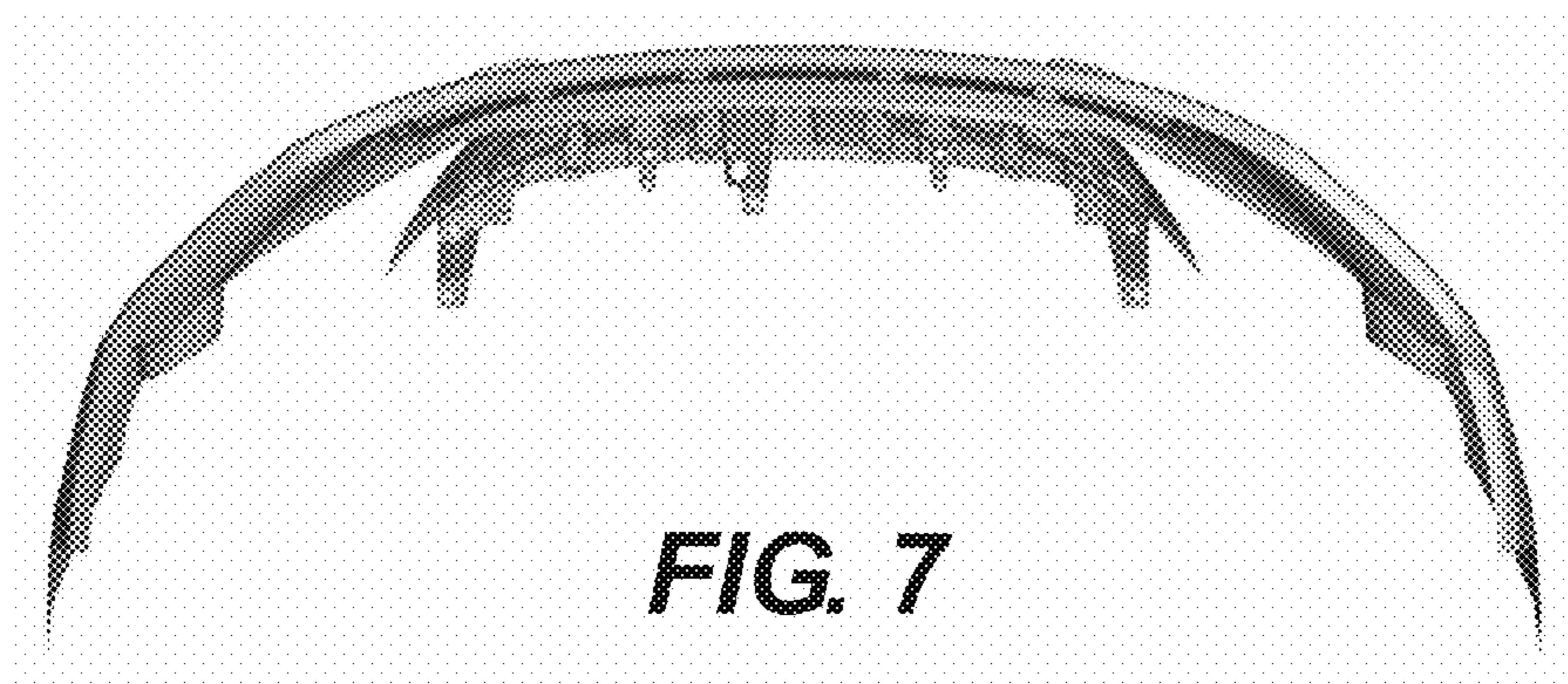
**FIG. 4**



**FIG. 5**



**FIG. 6**



**FIG. 7**