



(12) **United States Design Patent**
Luo et al.

(10) **Patent No.:** **US D696,599 S**
(45) **Date of Patent:** **** Dec. 31, 2013**

(54) **SECURITY TAG**

- (71) Applicants: **Danhui Luo**, Lake Worth, FL (US);
Sergio M. Perez, Lake Worth, FL (US)
- (72) Inventors: **Danhui Luo**, Lake Worth, FL (US);
Sergio M. Perez, Lake Worth, FL (US)
- (73) Assignee: **Tyco Fire & Security GmbH**,
Neuhausen am Rheinfall (CH)
- (**) Term: **14 Years**
- (21) Appl. No.: **29/455,679**
- (22) Filed: **May 23, 2013**
- (51) **LOC (9) Cl.** **10-05**
- (52) **U.S. Cl.**
USPC **D10/106.9**
- (58) **Field of Classification Search**
USPC D10/106.9–10.94; 70/57.1; 340/572.9
See application file for complete search history.

(56) **References Cited**

U.S. PATENT DOCUMENTS

- D609,125 S * 2/2010 Perez D10/106.9
- D611,862 S * 3/2010 Perez D10/106.91
- 2010/0287998 A1 * 11/2010 Anderson et al. 70/57.1

* cited by examiner

Primary Examiner — George D Kirschbaum

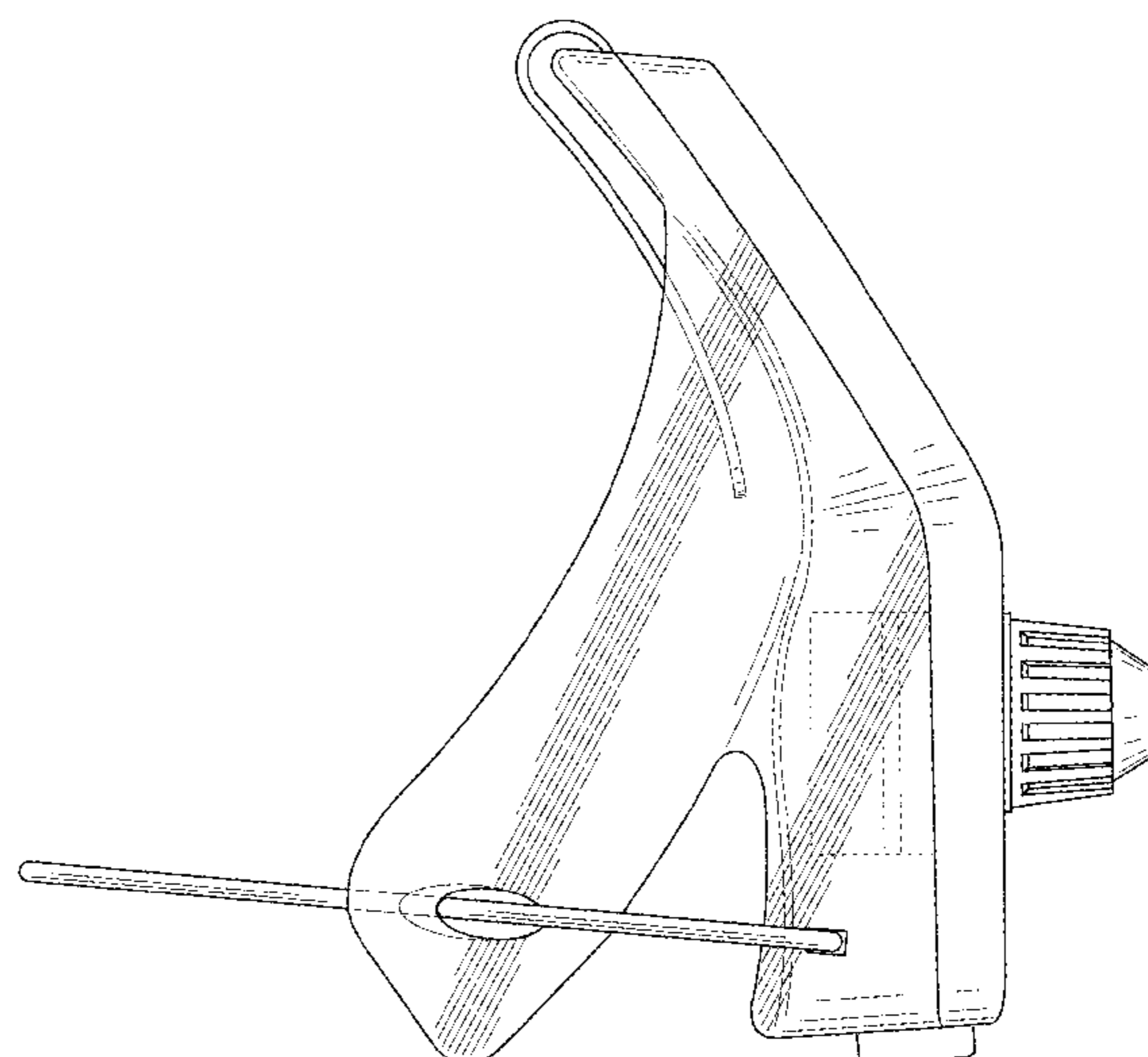
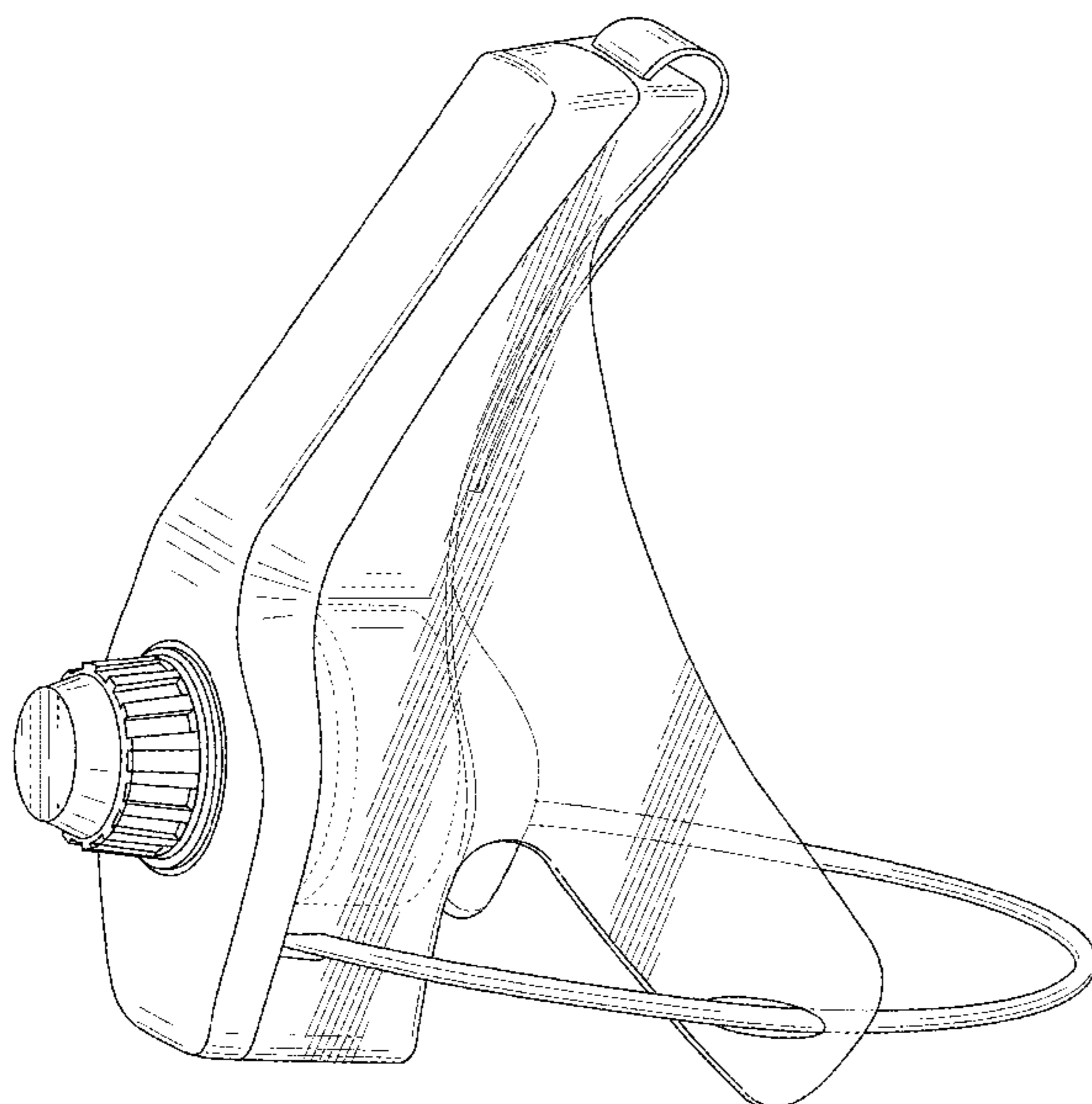
(57) **CLAIM**

The ornamental design for a security tag, as shown and described.

DESCRIPTION

FIG. 1 is a front perspective view showing one embodiment of the new design;
 FIG. 2 is a right side elevational view of the embodiment shown in FIG. 1;
 FIG. 3 is a left side elevational view of the embodiment shown in FIG. 1;
 FIG. 4 is a front elevational view of the embodiment shown in FIG. 1;
 FIG. 5 is a rear elevational view of the embodiment shown in FIG. 1;
 FIG. 6 is a top plan view of the embodiment shown in FIG. 1;
 FIG. 7 is a bottom plan view of the embodiment shown in FIG. 1;
 FIG. 8 is a front perspective view showing another embodiment of the new design;
 FIG. 9 is a right side elevational view of the embodiment shown in FIG. 8;
 FIG. 10 is a left side elevational view of the embodiment shown in FIG. 8;
 FIG. 11 is a front elevational view of the embodiment shown in FIG. 8;
 FIG. 12 is a rear elevational view of the embodiment shown in FIG. 8;
 FIG. 13 is a top plan view of the embodiment shown in FIG. 8;
 FIG. 14 is a bottom plan view of the embodiment shown in FIG. 8; and,
 FIG. 15 is a perspective view of the embodiment shown in FIG. 1 shown attached to a shoe, with the shoe shown in phantom.
 In the drawings, the broken lines showing internal components, and in FIG. 15 a shoe, depict environmental subject matter and form no part of the claimed design.

1 Claim, 15 Drawing Sheets



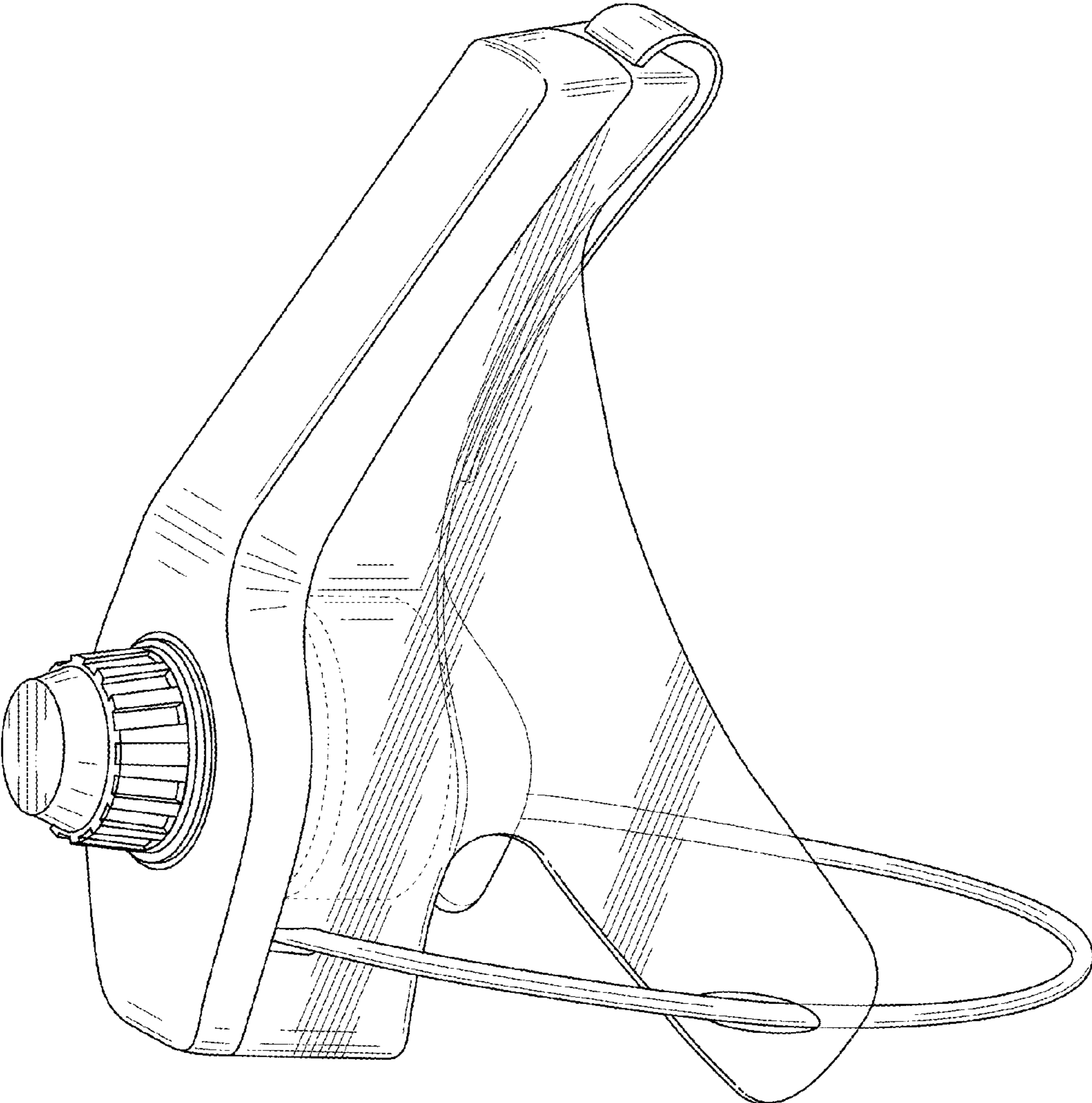


FIG. 1

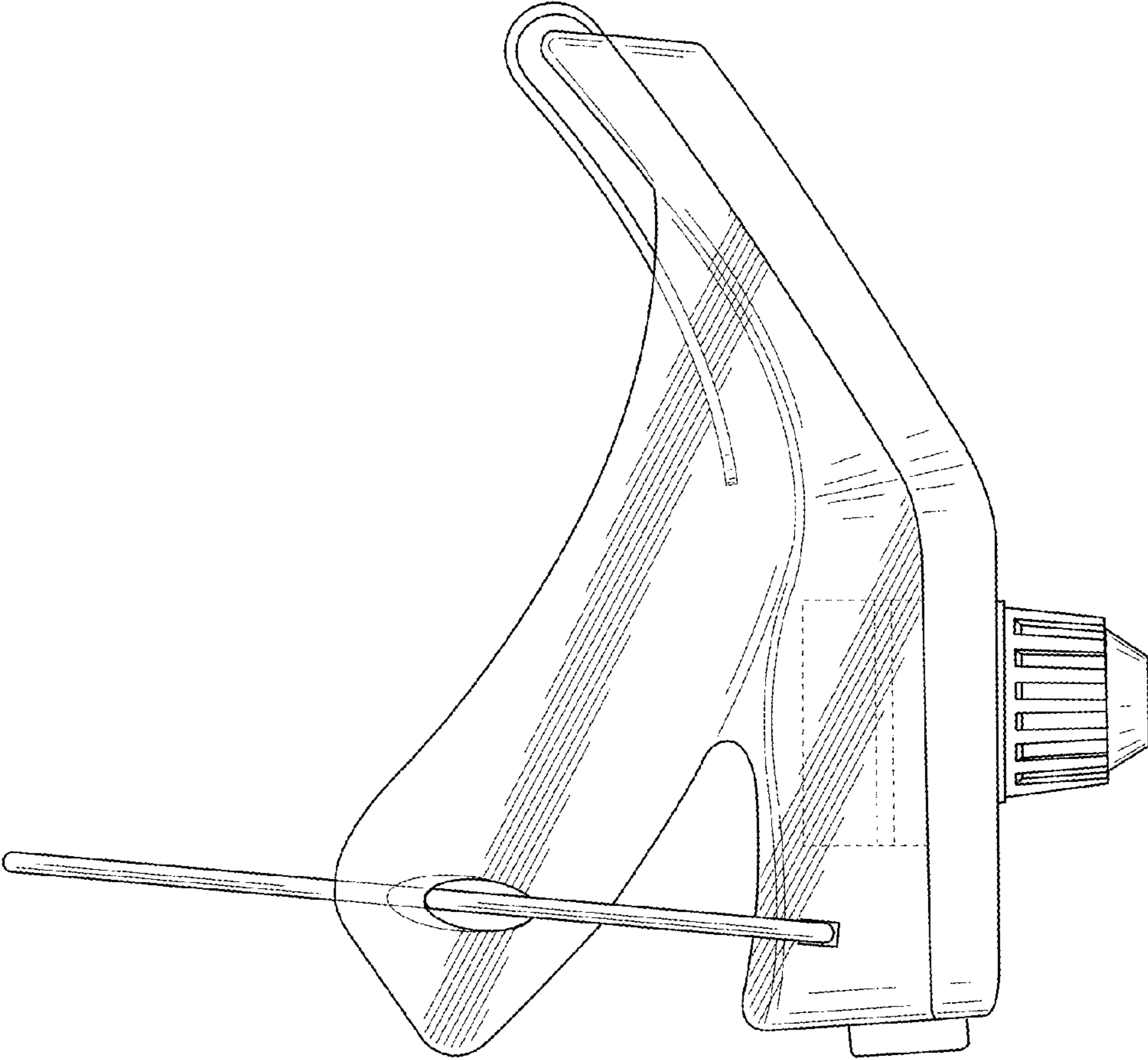


FIG. 2

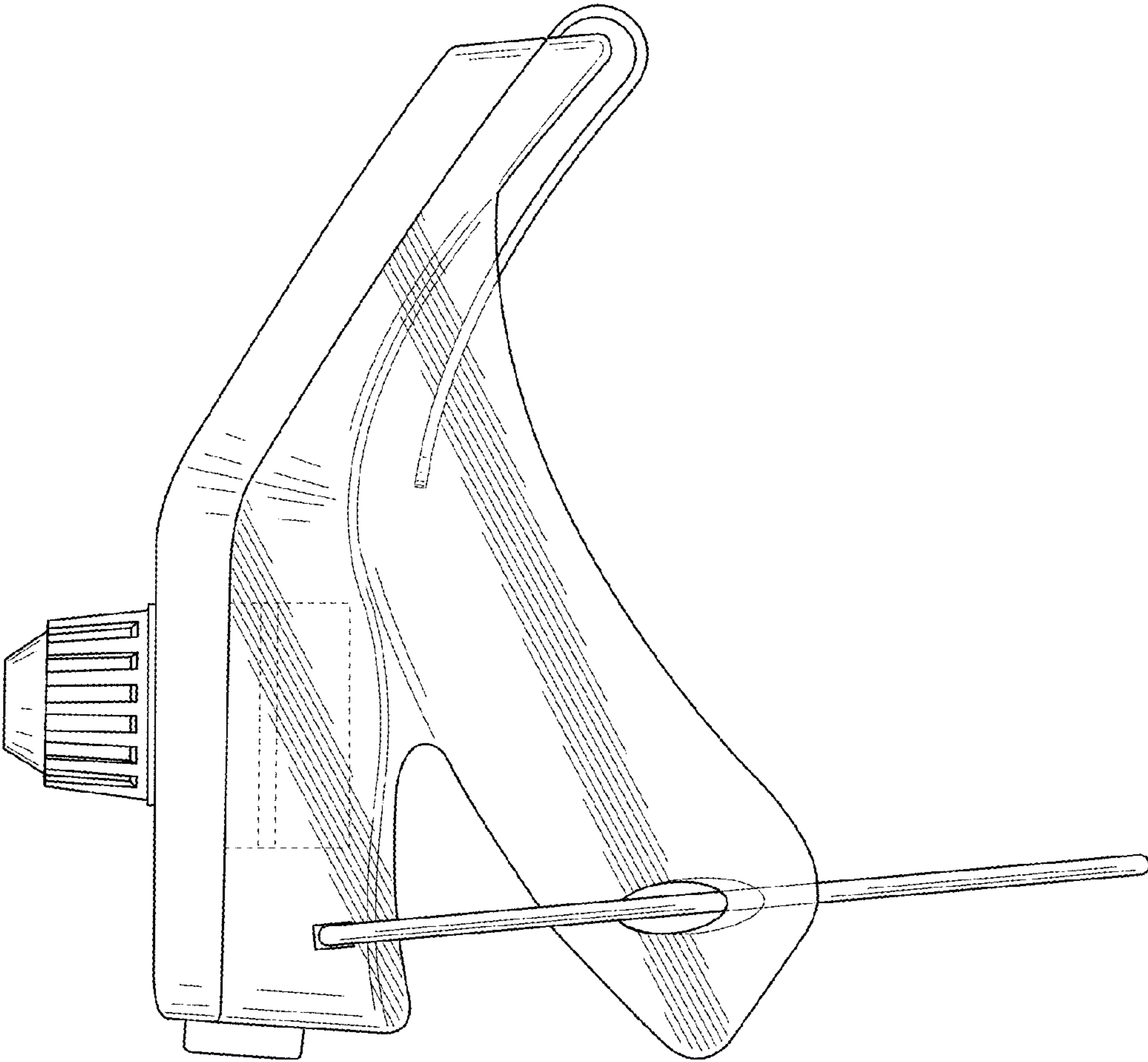


FIG. 3

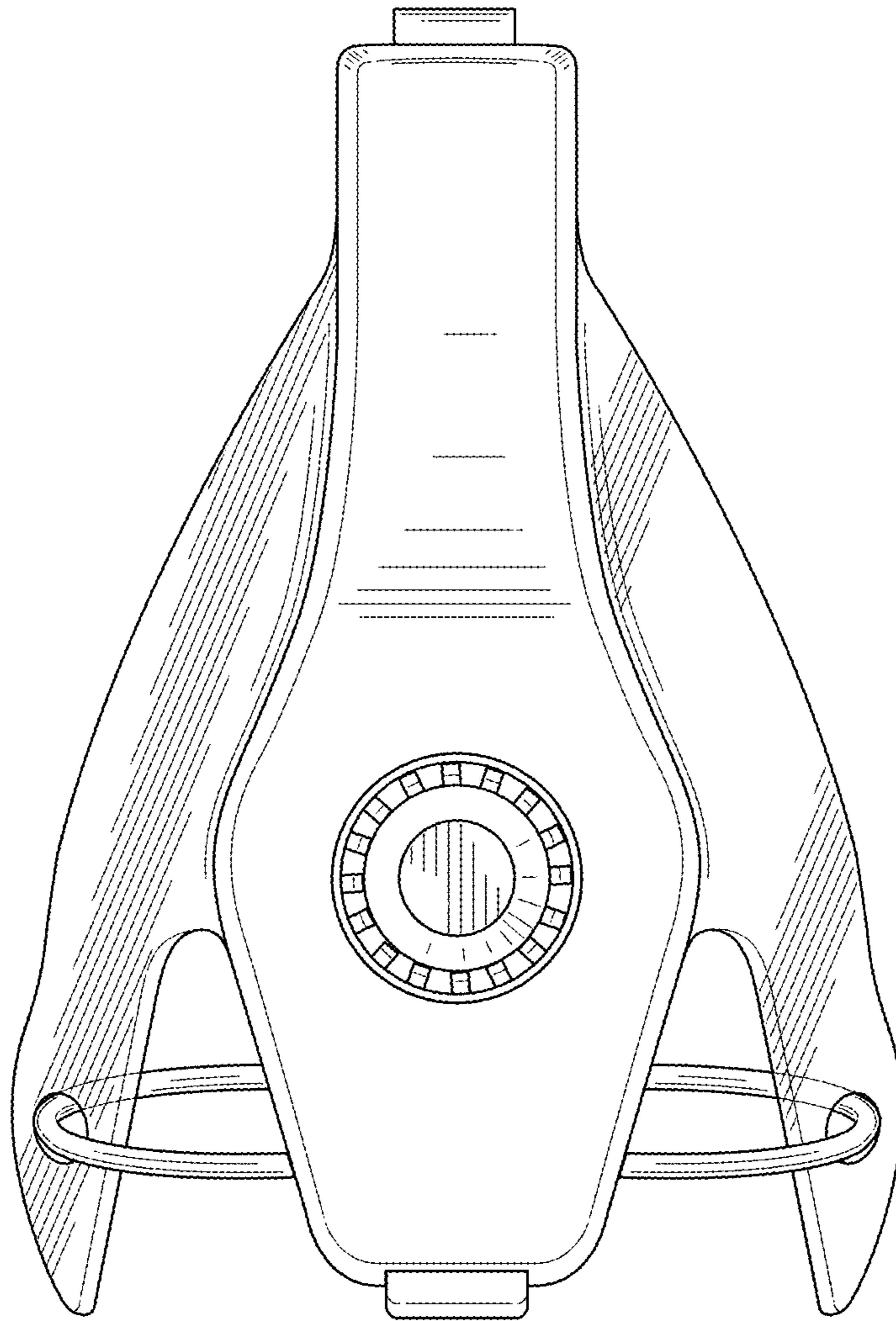


FIG. 4

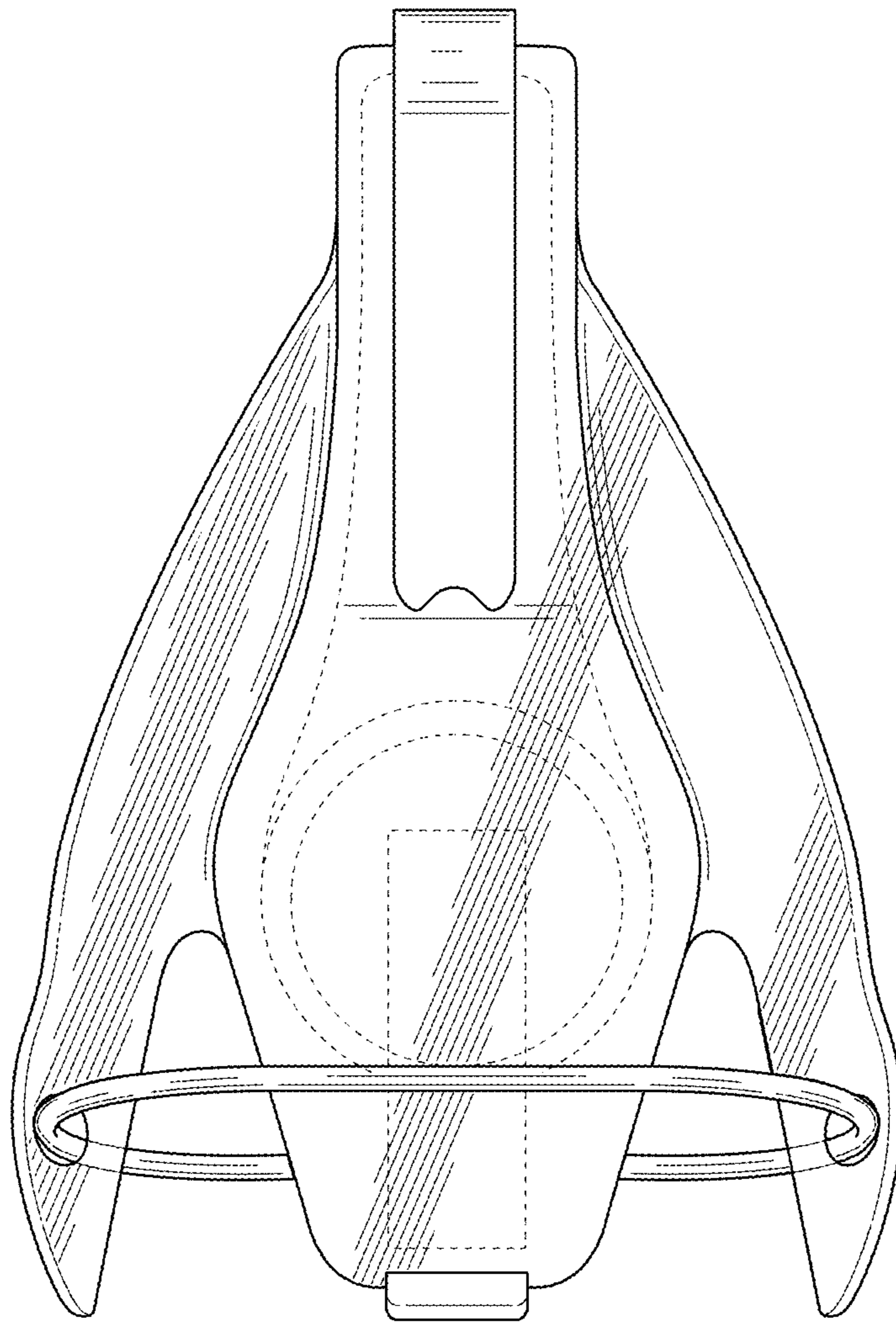


FIG. 5

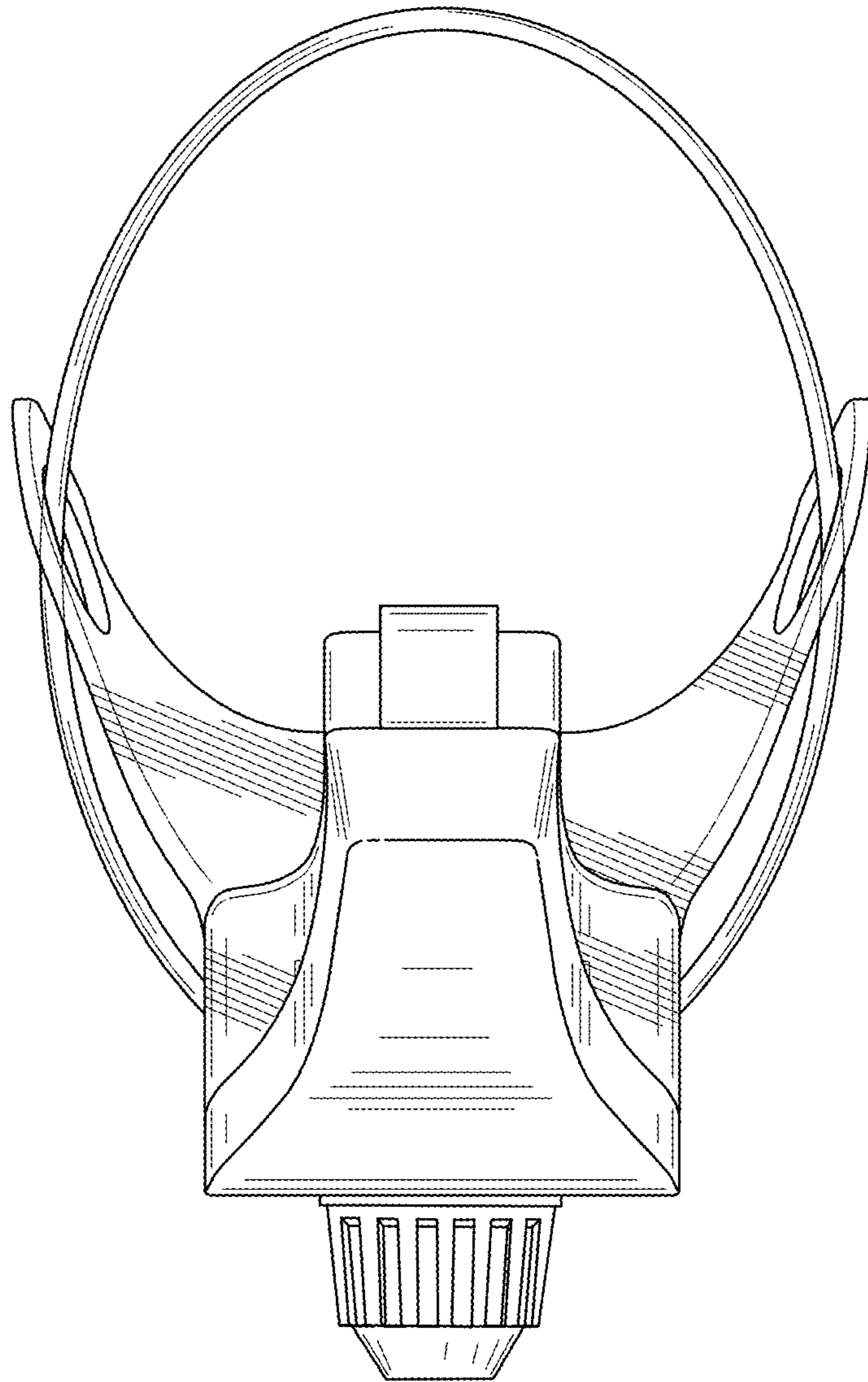


FIG. 6

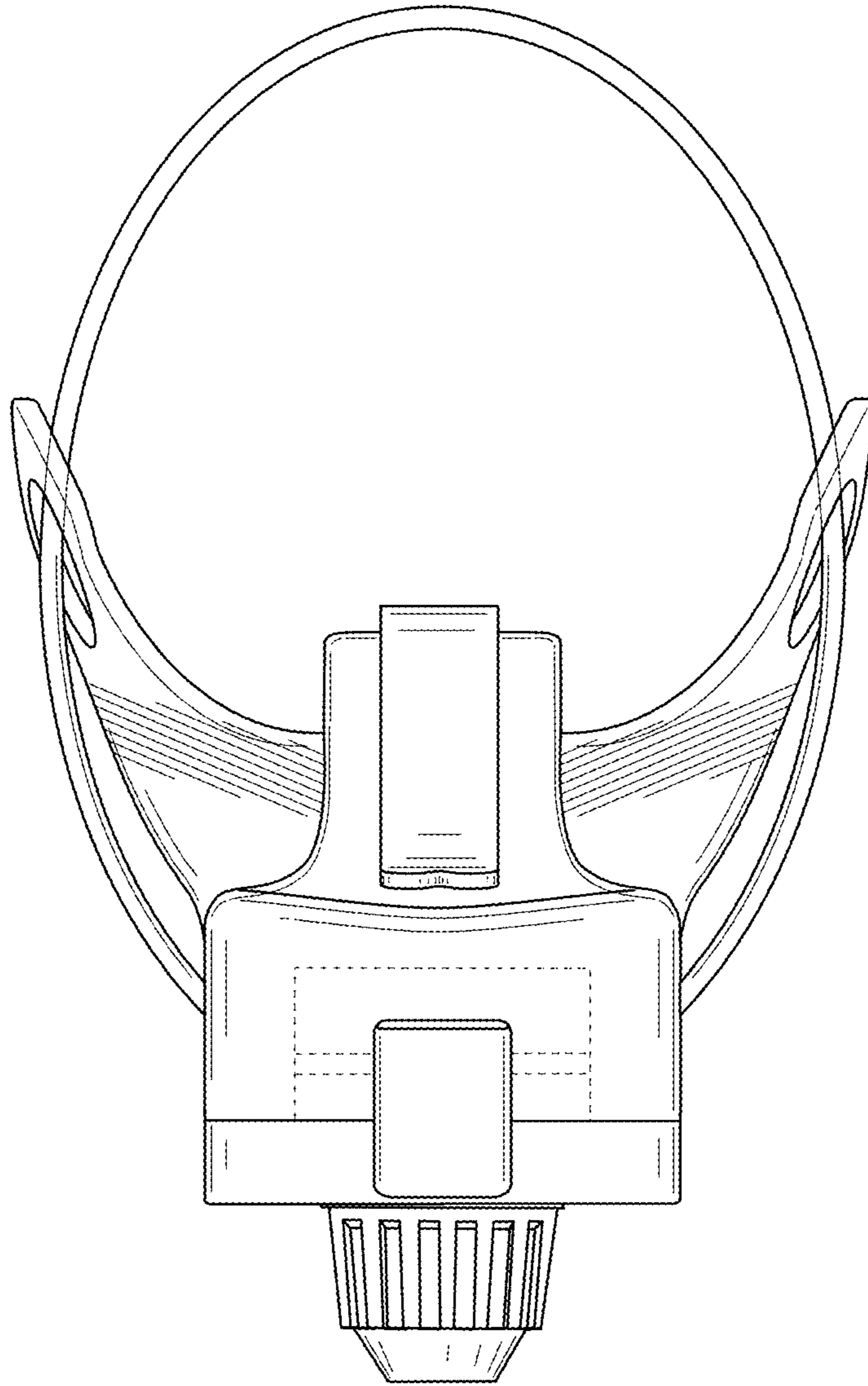


FIG. 7

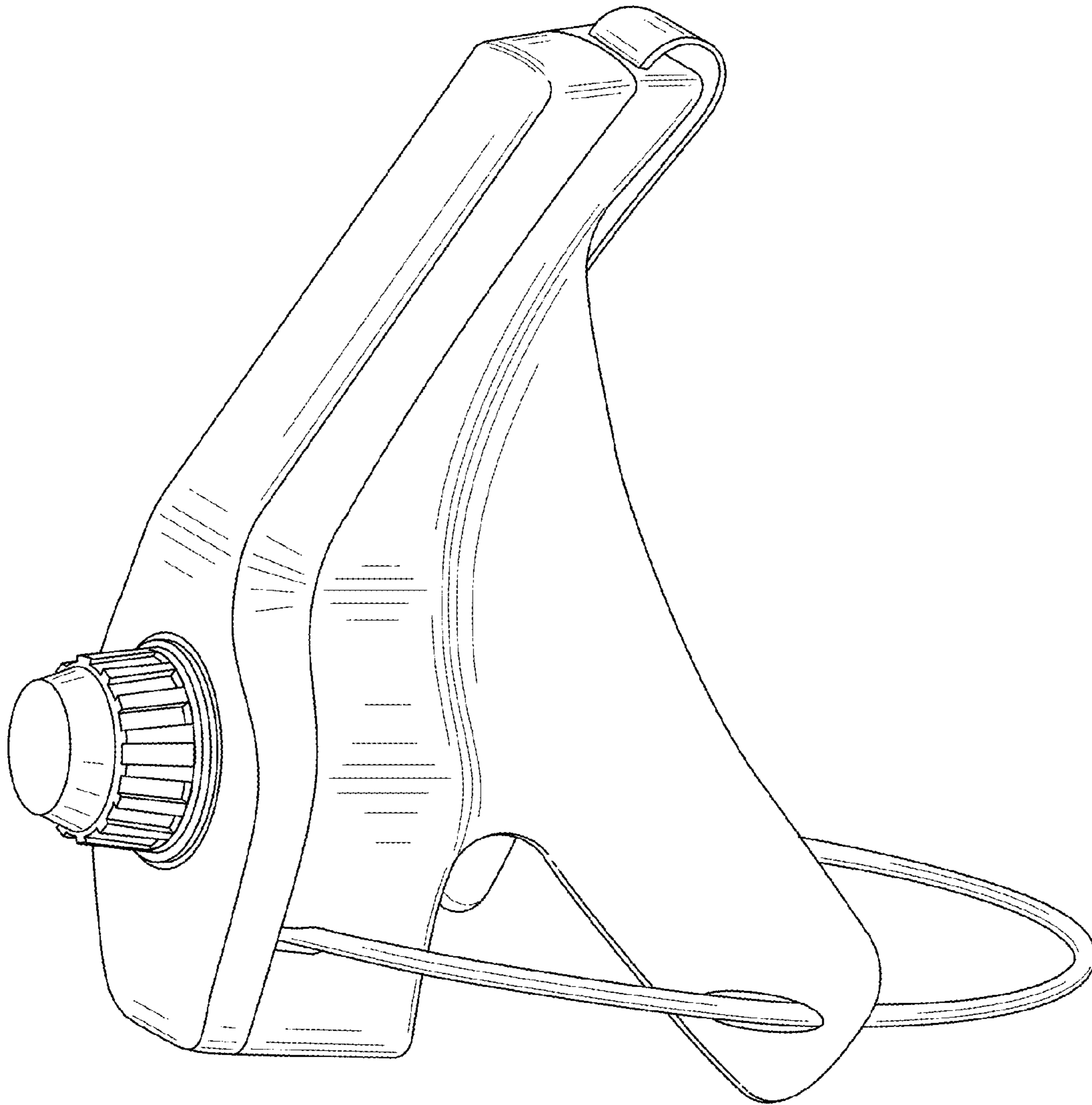


FIG. 8

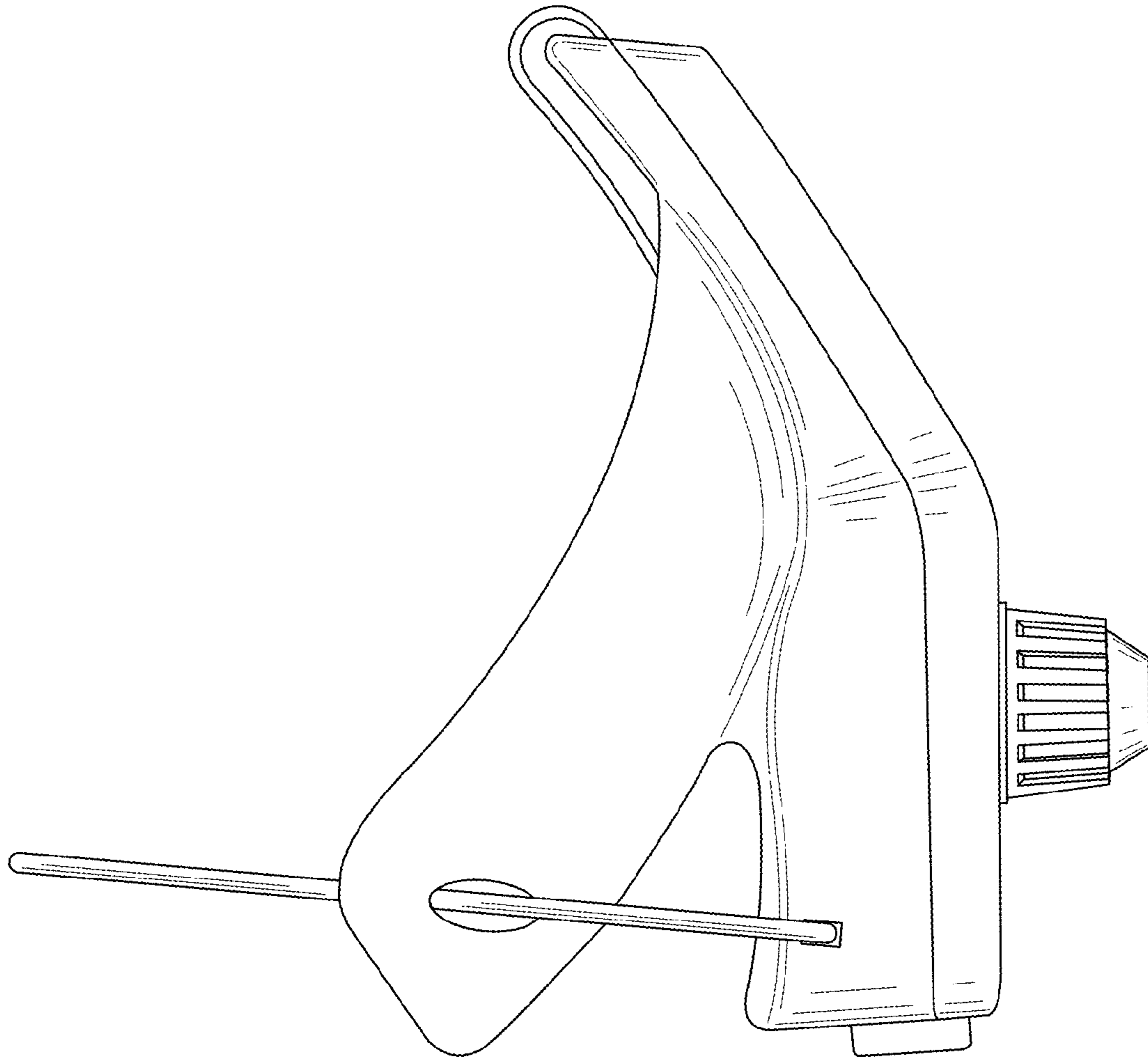


FIG. 9

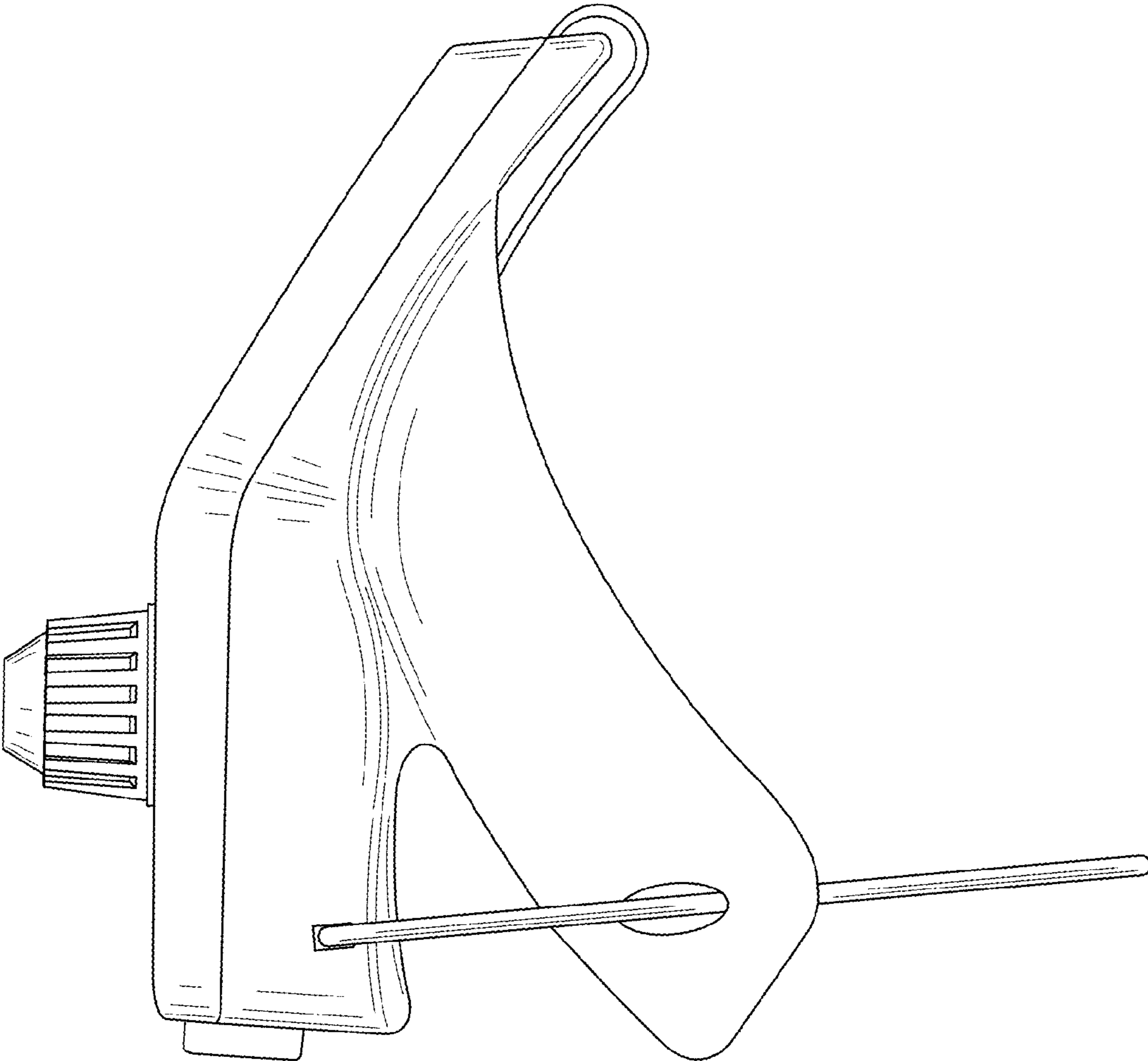


FIG. 10

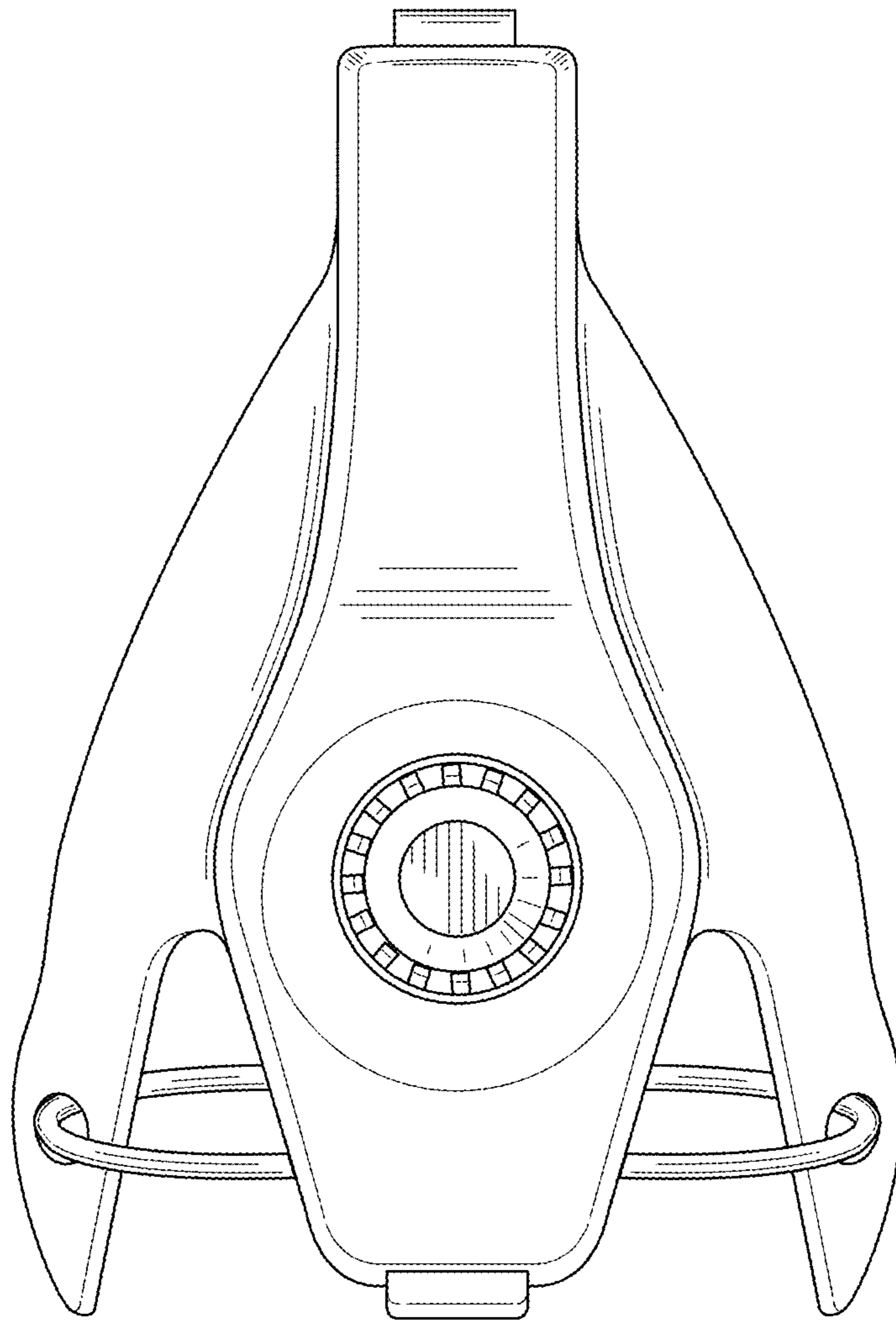


FIG. 11

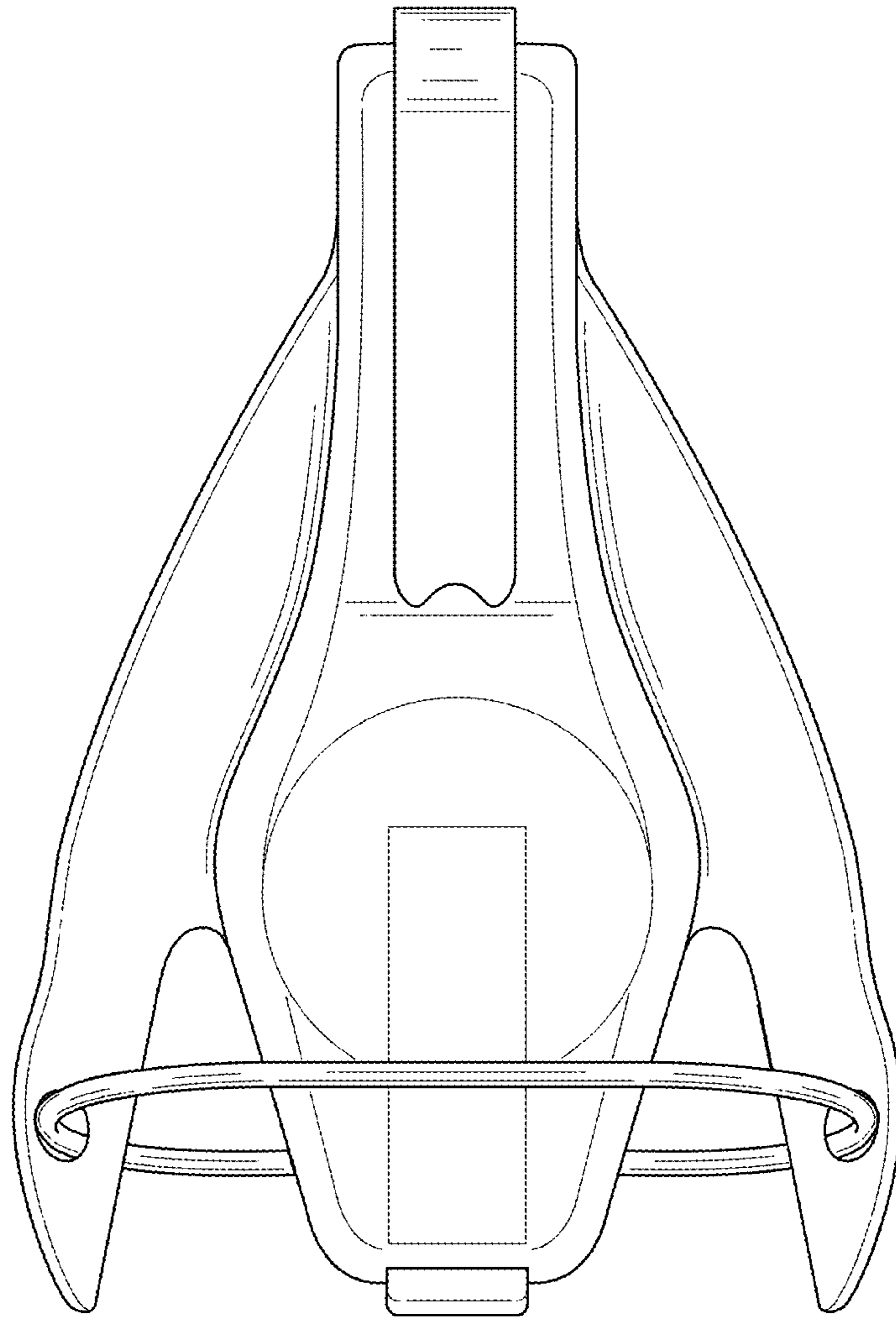


FIG. 12

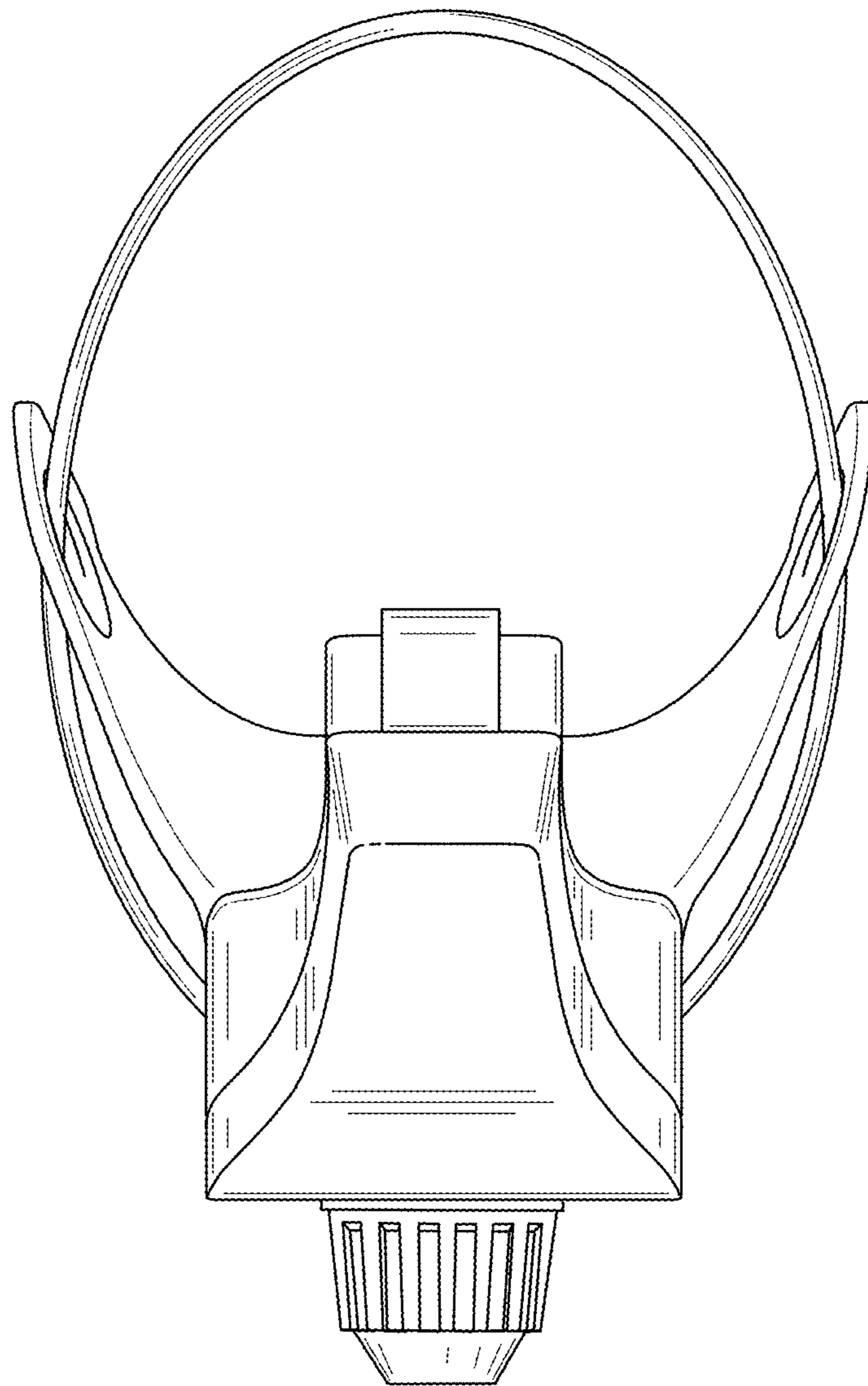


FIG. 13

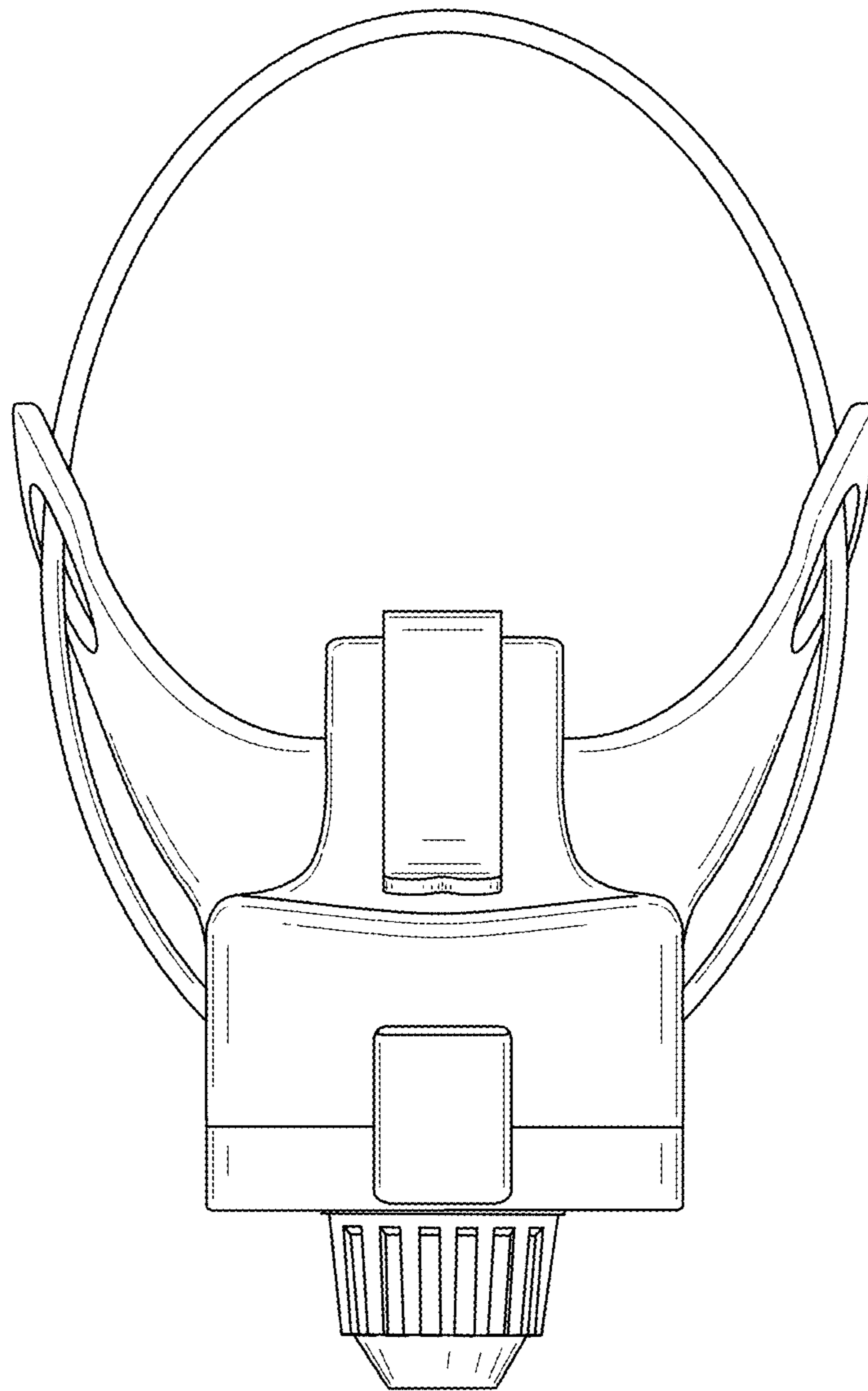


FIG. 14

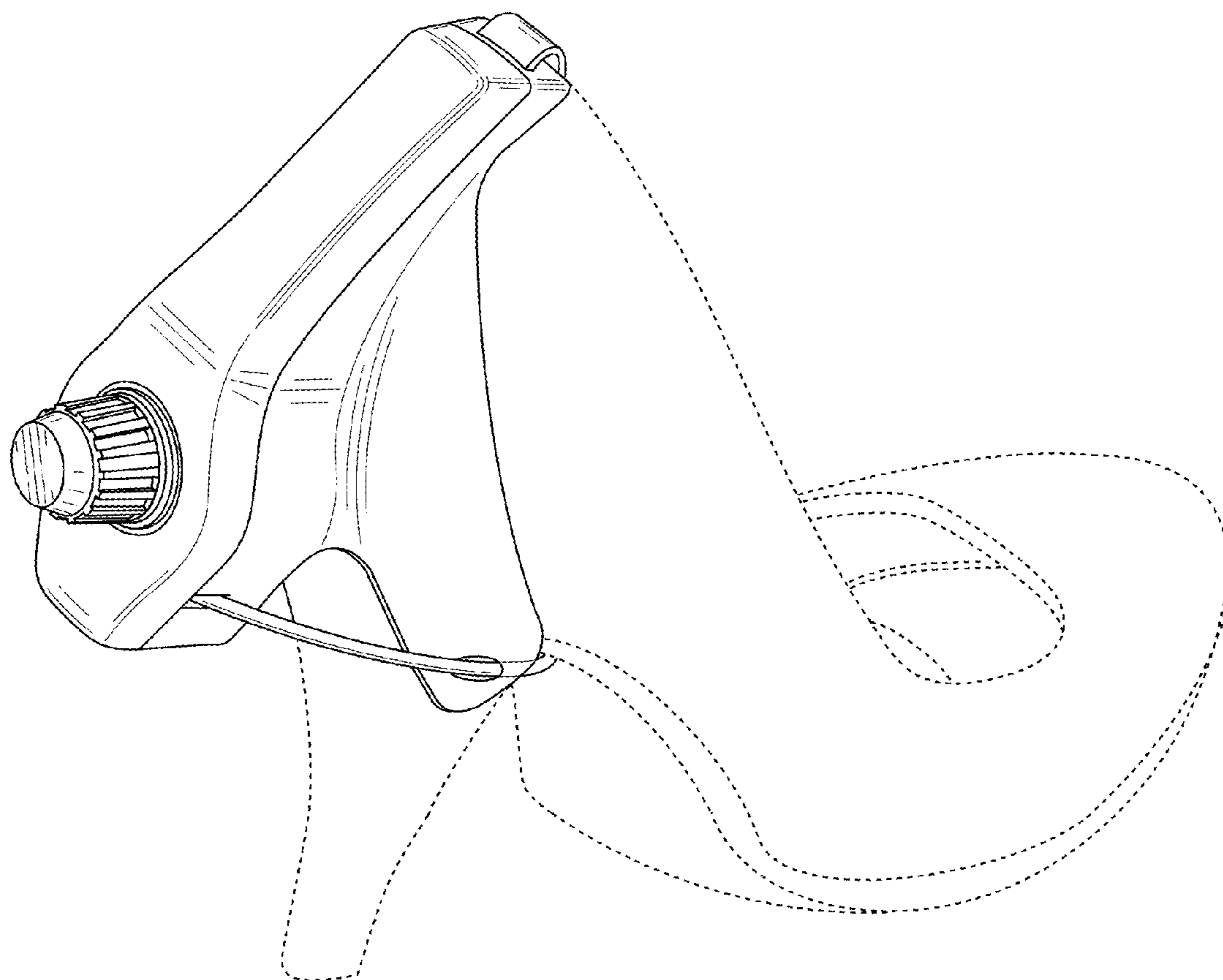


FIG. 15