



US00D696597S

(12) **United States Design Patent**
Thiele et al.

(10) **Patent No.:** **US D696,597 S**

(45) **Date of Patent:** **** Dec. 31, 2013**

(54) **TAB FOR PROVIDING ON-PRODUCT SOURCE INDICIA**

D649,487 S * 11/2011 Jarrett D10/106.91

* cited by examiner

(75) Inventors: **Frank Martin Thiele**, Munich (DE);
Boris Simon, Munich (DE)

Primary Examiner — George D Kirschbaum

(74) *Attorney, Agent, or Firm* — Carol A. Lewis White

(73) Assignee: **W. L. Gore & Associates, Inc.**, Newark,
DE (US)

(57)

CLAIM

What is claimed is a design of a tab providing on-product source indicia, as shown and described.

(**) Term: **14 Years**

DESCRIPTION

(21) Appl. No.: **29/406,930**

FIG. 1 is a three-quarter isometric view of a tab for providing on-product source indicia of the design of the present invention;

(22) Filed: **Nov. 21, 2011**

FIG. 2 is a top view of the tab of the design of the present invention;

(51) **LOC (9) Cl.** **10-05**

FIG. 3 is a front view of the tab of the design of the present invention;

(52) **U.S. Cl.**

USPC **D10/106.9**

FIG. 4 is a right side view of the tab of the design of the present invention;

(58) **Field of Classification Search**

USPC D10/106.9–10.94, 104.1; 70/57.1

See application file for complete search history.

FIG. 5 is a left side view of a tab of the design of the present invention;

(56) **References Cited**

U.S. PATENT DOCUMENTS

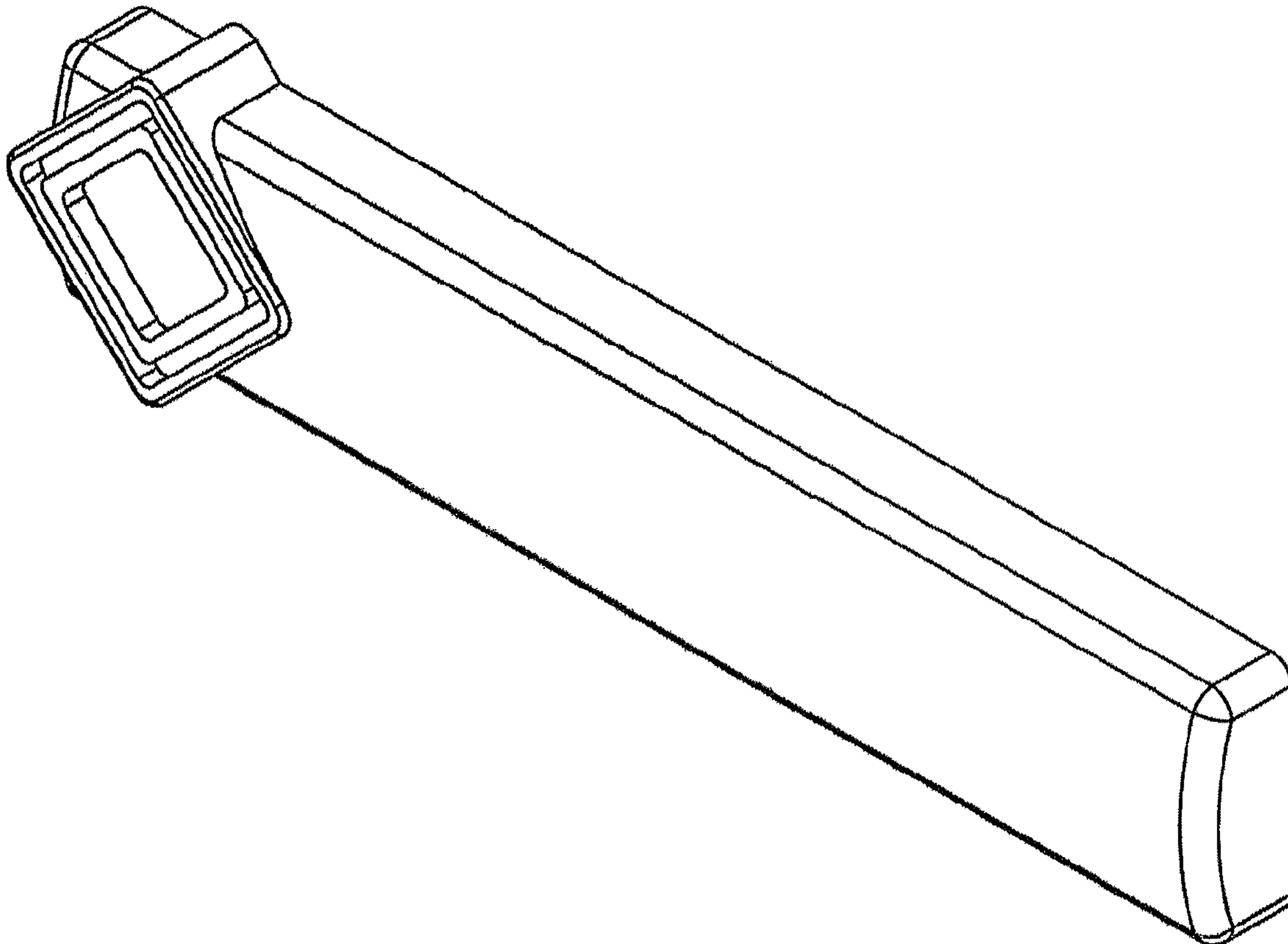
D353,115 S * 12/1994 Garner et al. D10/106.91

D413,828 S * 9/1999 Hogan et al. D10/106.9

FIG. 6 is a bottom view of the tab of the design of the present invention; and,

FIG. 7 is a back view of the tab of the design of the present invention.

1 Claim, 2 Drawing Sheets



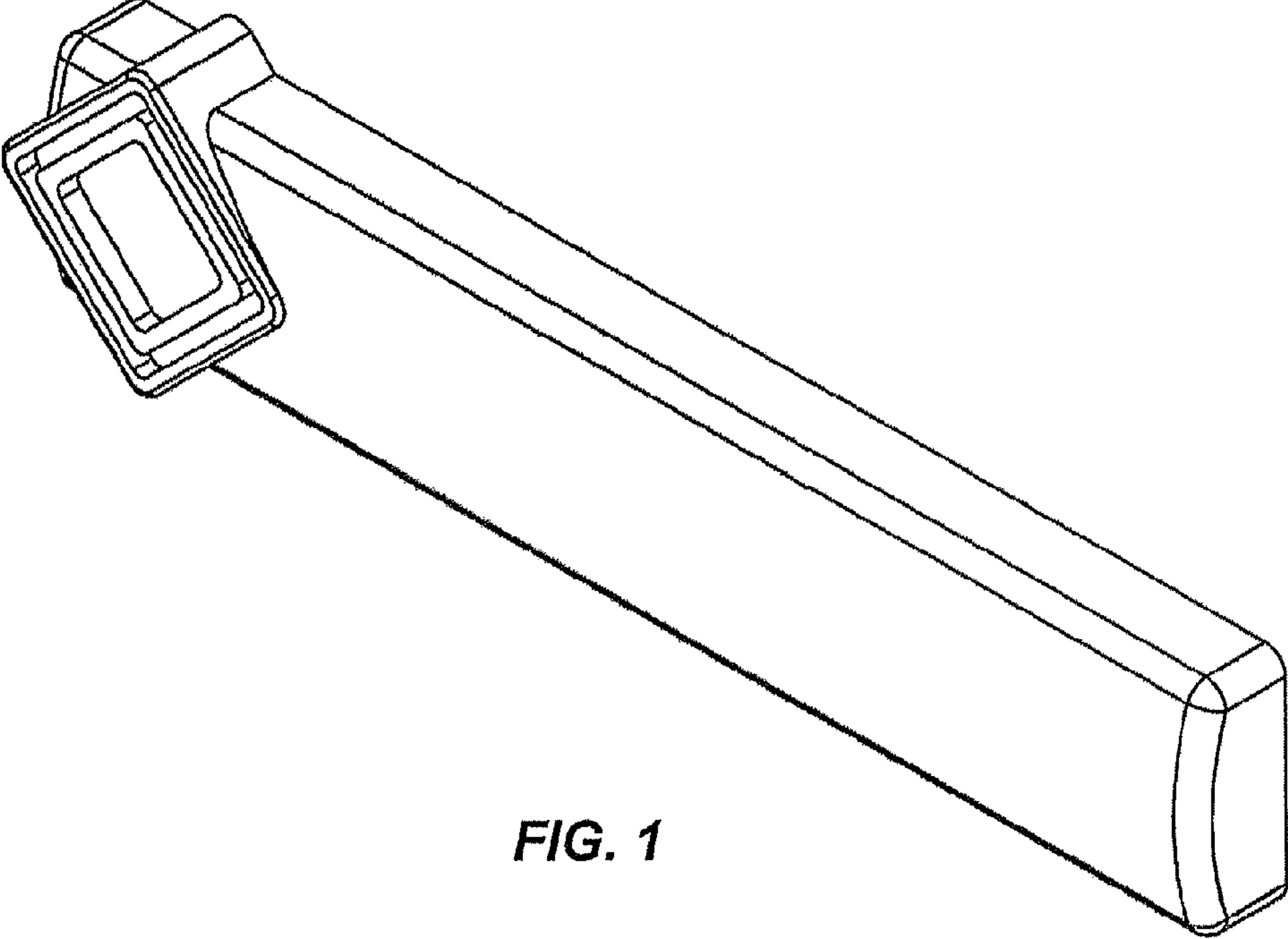


FIG. 1

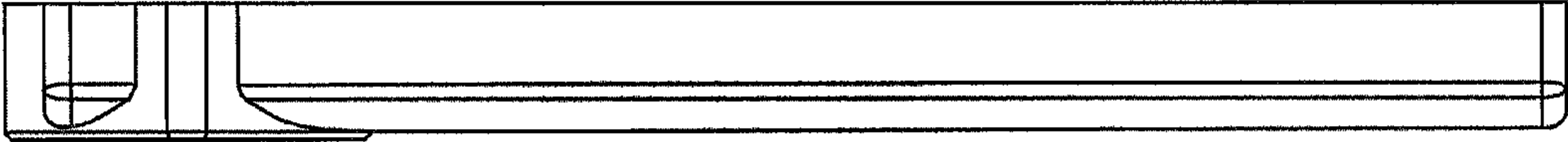


FIG. 2

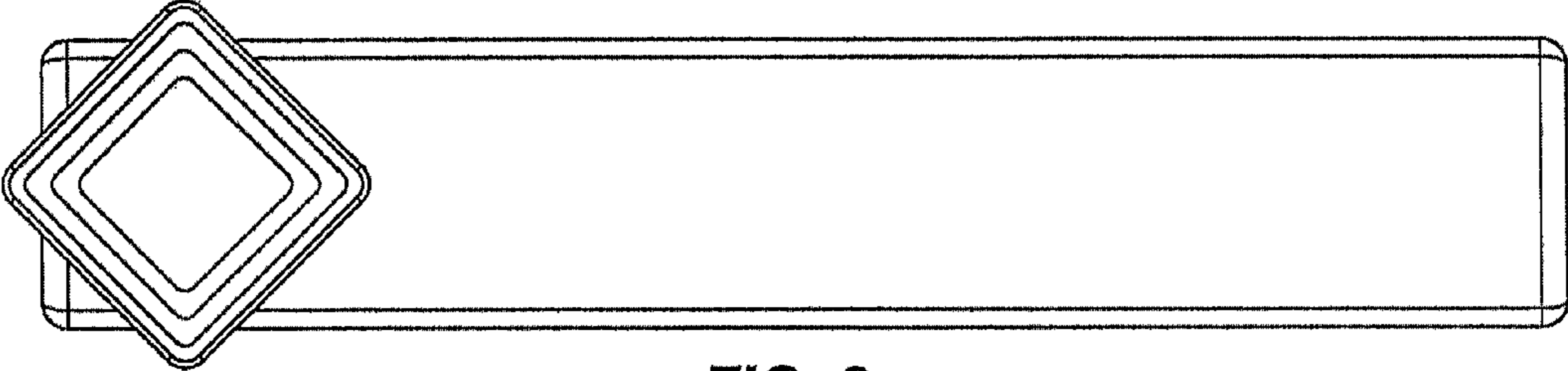


FIG. 3

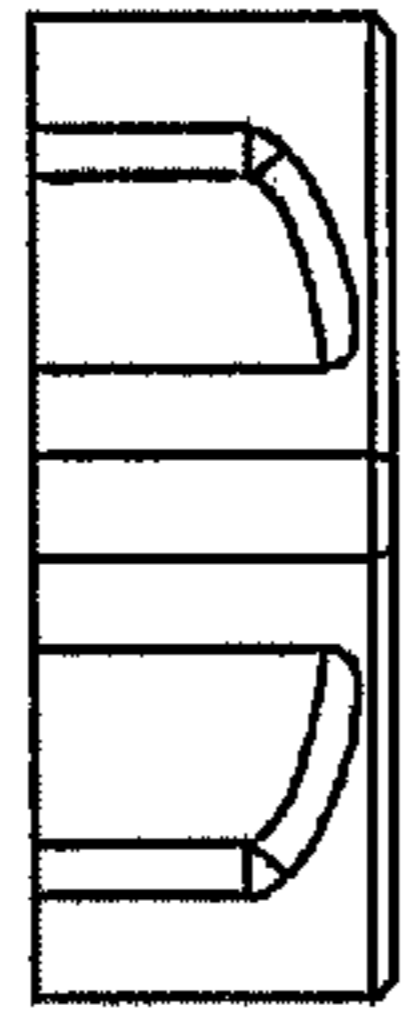


FIG. 5

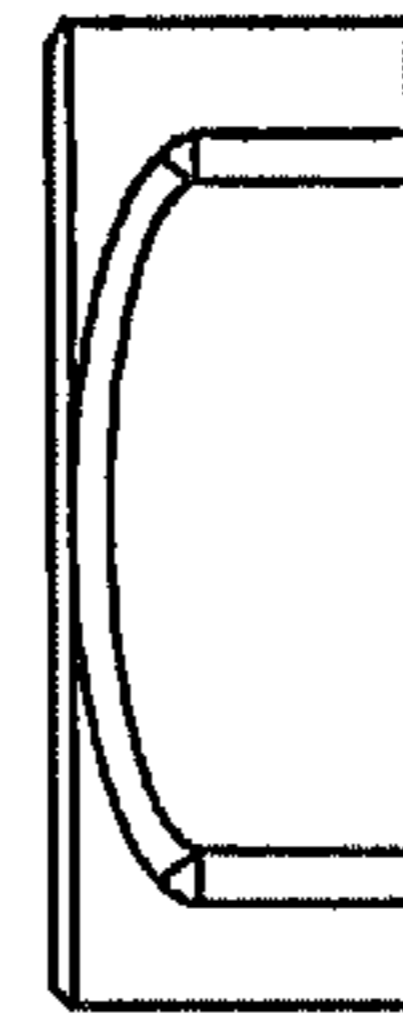


FIG. 4

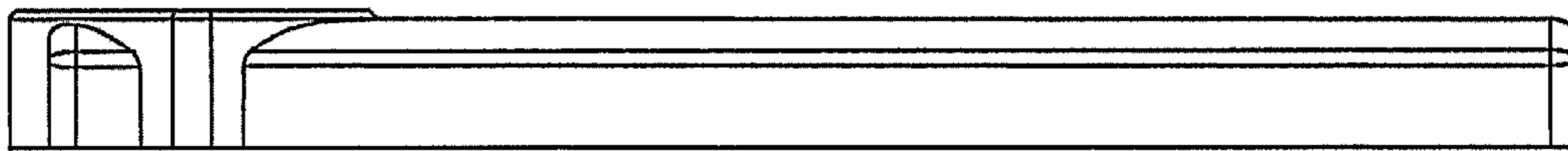


FIG. 6

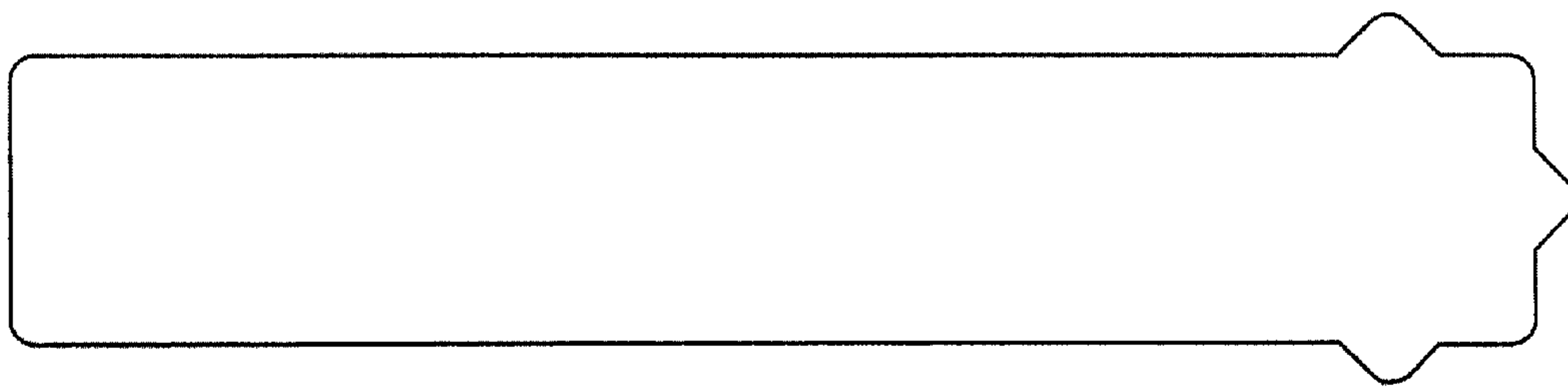


FIG. 7