



US00D696595S

(12) **United States Design Patent**
Peel

(10) **Patent No.:** **US D696,595 S**

(45) **Date of Patent:** **** Dec. 31, 2013**

(54) **HANDHELD VOTING DEVICE**

6,926,155 B2 * 8/2005 Vogel 209/554
D540,201 S * 4/2007 Jackson et al. D10/46.1
D605,536 S * 12/2009 Nishimoto D10/46.1

(75) Inventor: **Alan Peel**, Lancashire (GB)

* cited by examiner

(73) Assignee: **Promethean Limited**, Lancashire (GB)

Primary Examiner — Prabhakar Deshmukh

(**) Term: **14 Years**

(74) *Attorney, Agent, or Firm* — Marsh Fischmann & Breyfogle, LLP; Kent A. Lembke

(21) Appl. No.: **29/410,897**

(22) Filed: **Jan. 13, 2012**

(57) **CLAIM**

The ornamental design for a handheld voting device, as shown and described.

(51) **LOC (9) Cl.** **21-01**

(52) **U.S. Cl.**
USPC **D10/46.1**

DESCRIPTION

(58) **Field of Classification Search**
USPC D10/46, 46.1; 235/1 R, 51, 50 R, 50 B,
235/52, 56; 434/306; 705/12
See application file for complete search history.

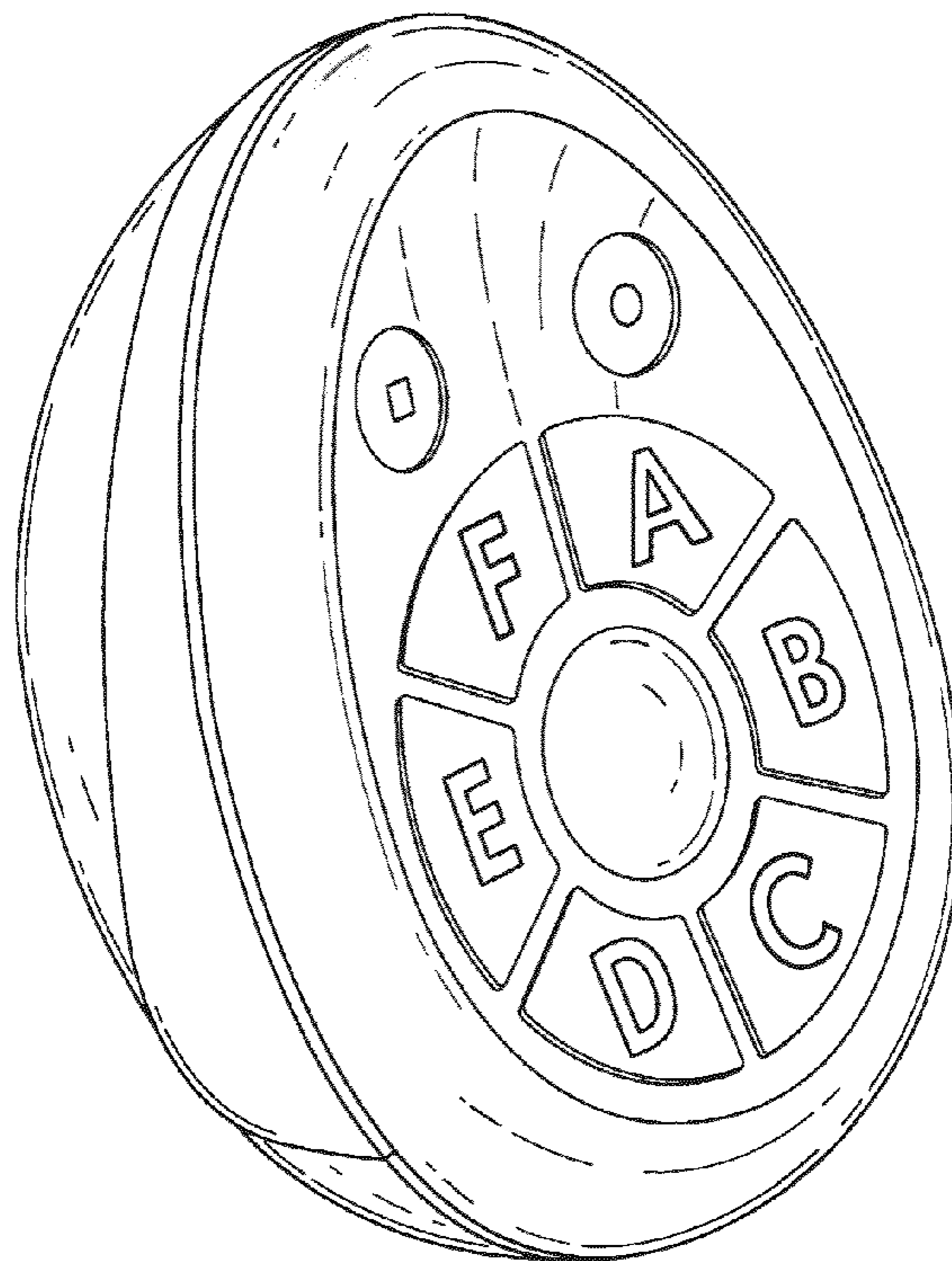
FIG. 1 is a perspective right front view of a handheld voting device of the claimed design;
FIG. 2 is a front view of the handheld voting device shown in FIG. 1;
FIG. 3 is a back view of the handheld voting device shown in FIGS. 1 and 2;
FIG. 4 is a right elevation view of the handheld voting device shown in FIGS. 1-3;
FIG. 5 is a left elevation view of the handheld voting device shown in FIGS. 1-4;
FIG. 6 is a top view of the handheld voting device shown in FIGS. 1-5; and,
FIG. 7 is a bottom view of the handheld voting device shown in FIGS. 1-6.

(56) **References Cited**

U.S. PATENT DOCUMENTS

D158,420 S * 5/1950 Sullivan D10/46.1
2,671,677 A * 3/1954 Ginsberg 462/10
3,806,219 A * 4/1974 Ahmann 312/265
3,881,092 A * 4/1975 O'Neal et al. 235/54 R
D332,056 S * 12/1992 Oakes D10/46.1
5,281,795 A * 1/1994 Harlan 235/50 A
D350,292 S * 9/1994 Taylor et al. D10/46.1
D360,595 S * 7/1995 Lia D10/46.1
5,610,383 A * 3/1997 Chumbley 235/386
6,827,262 B2 * 12/2004 McClure et al. 235/386

1 Claim, 4 Drawing Sheets



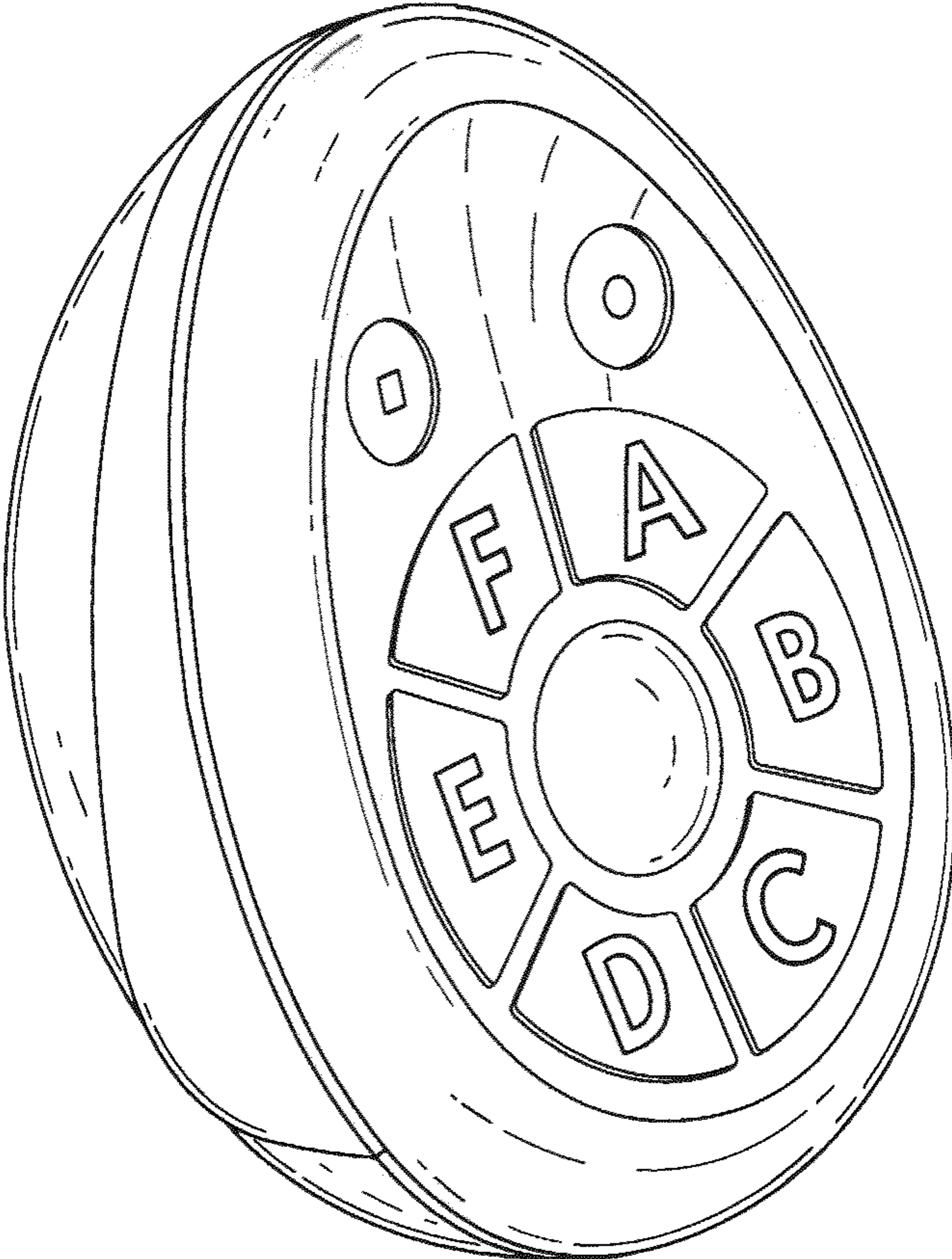


FIG. 1

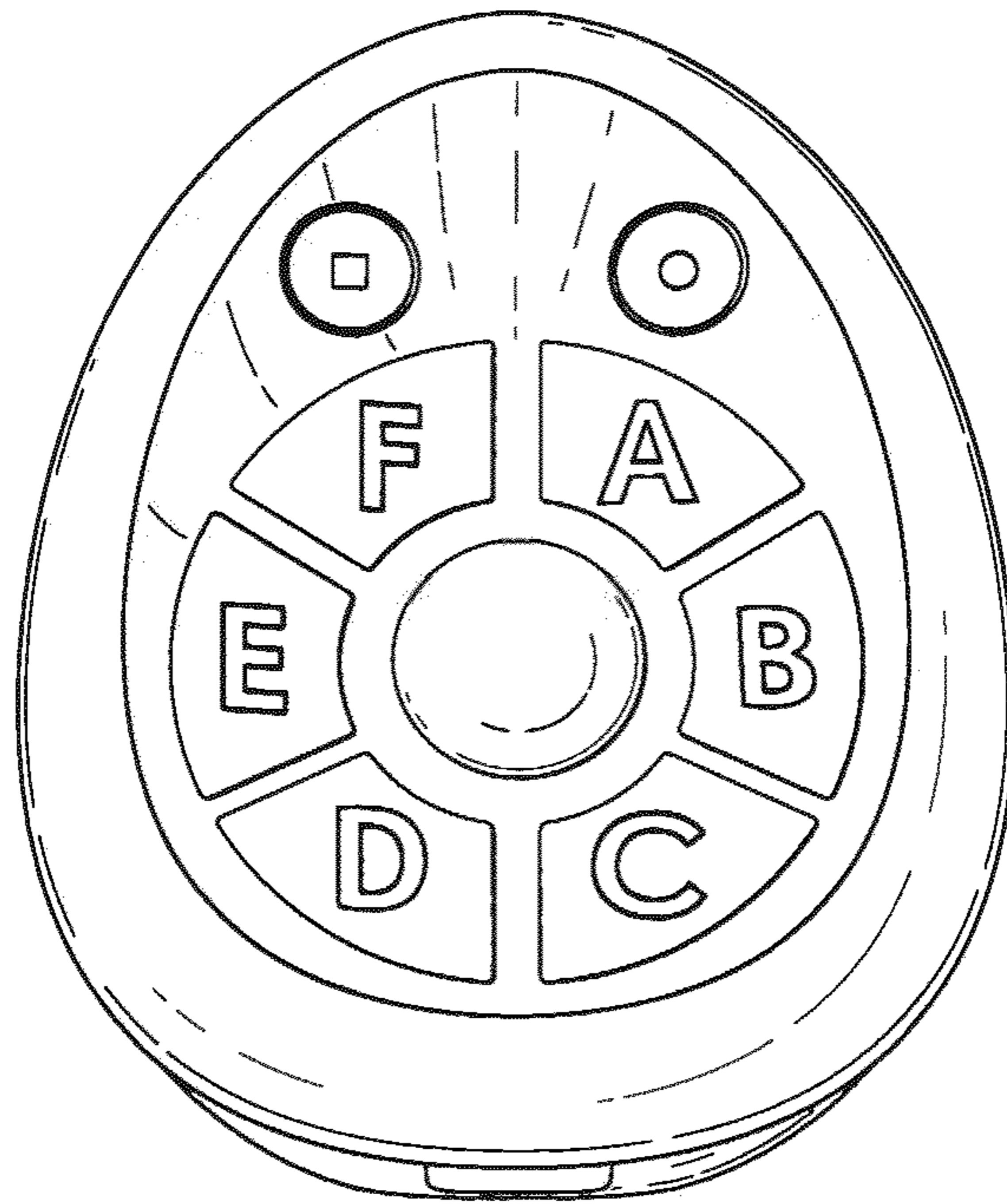


FIG. 2

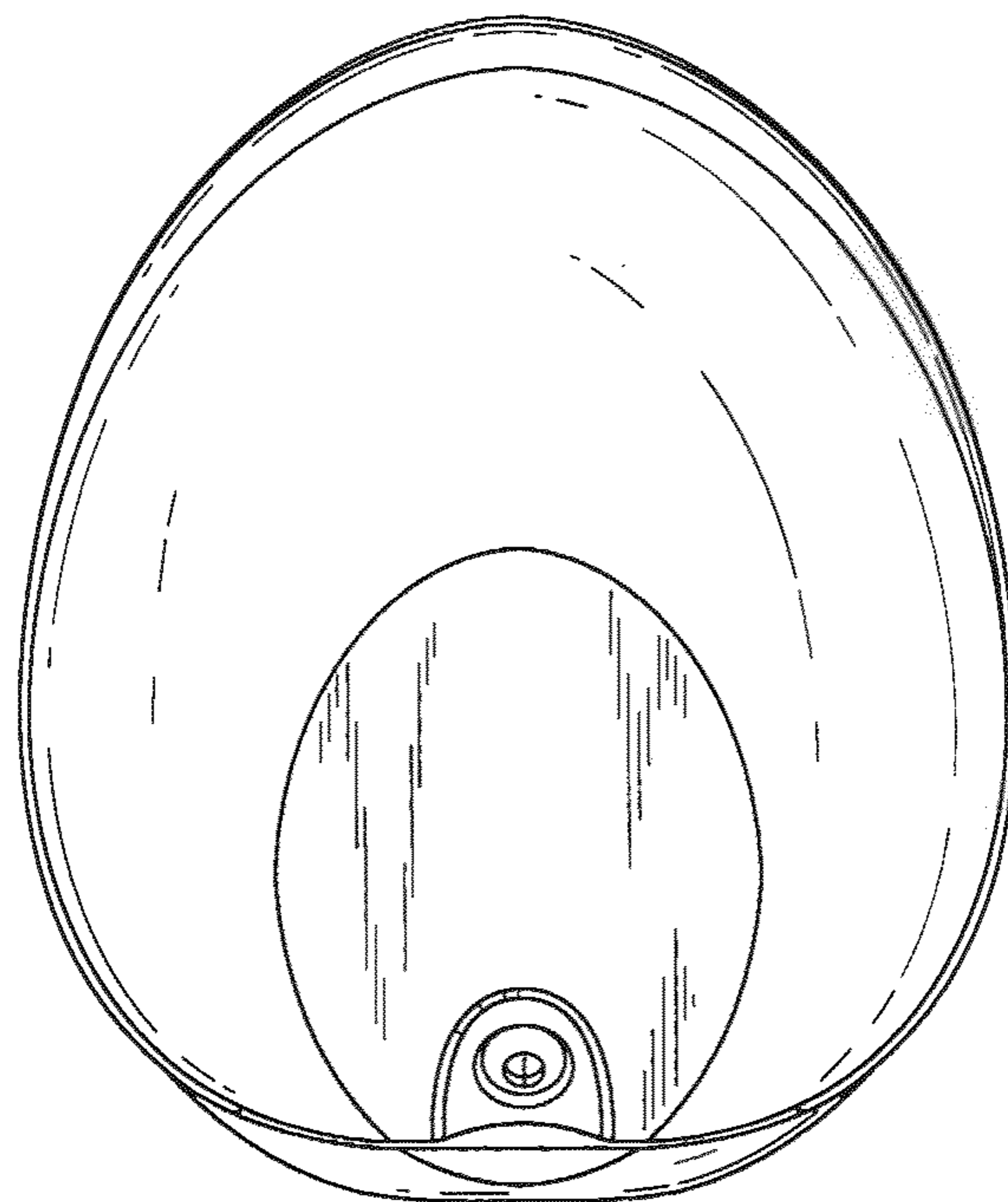


FIG. 3

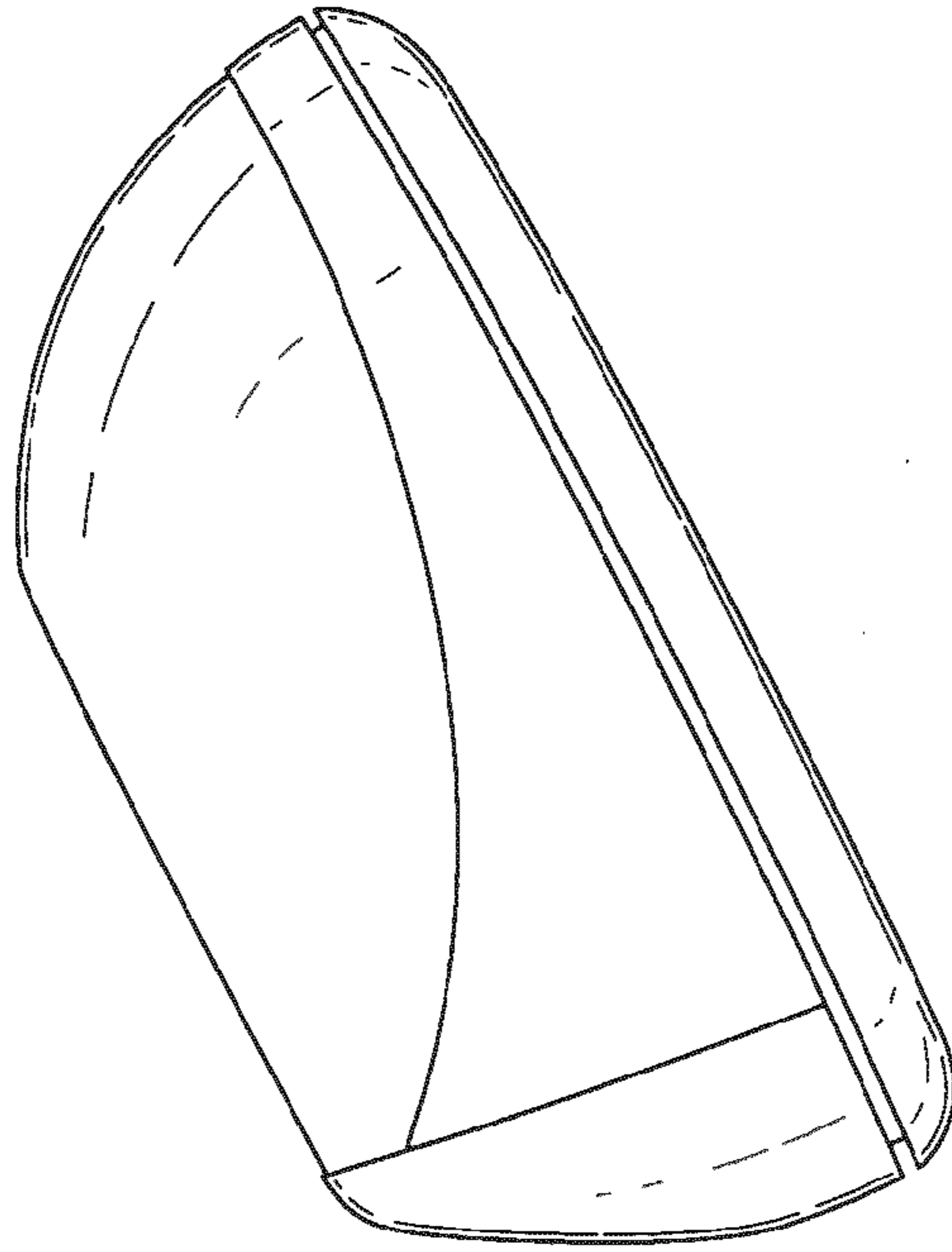


FIG. 4

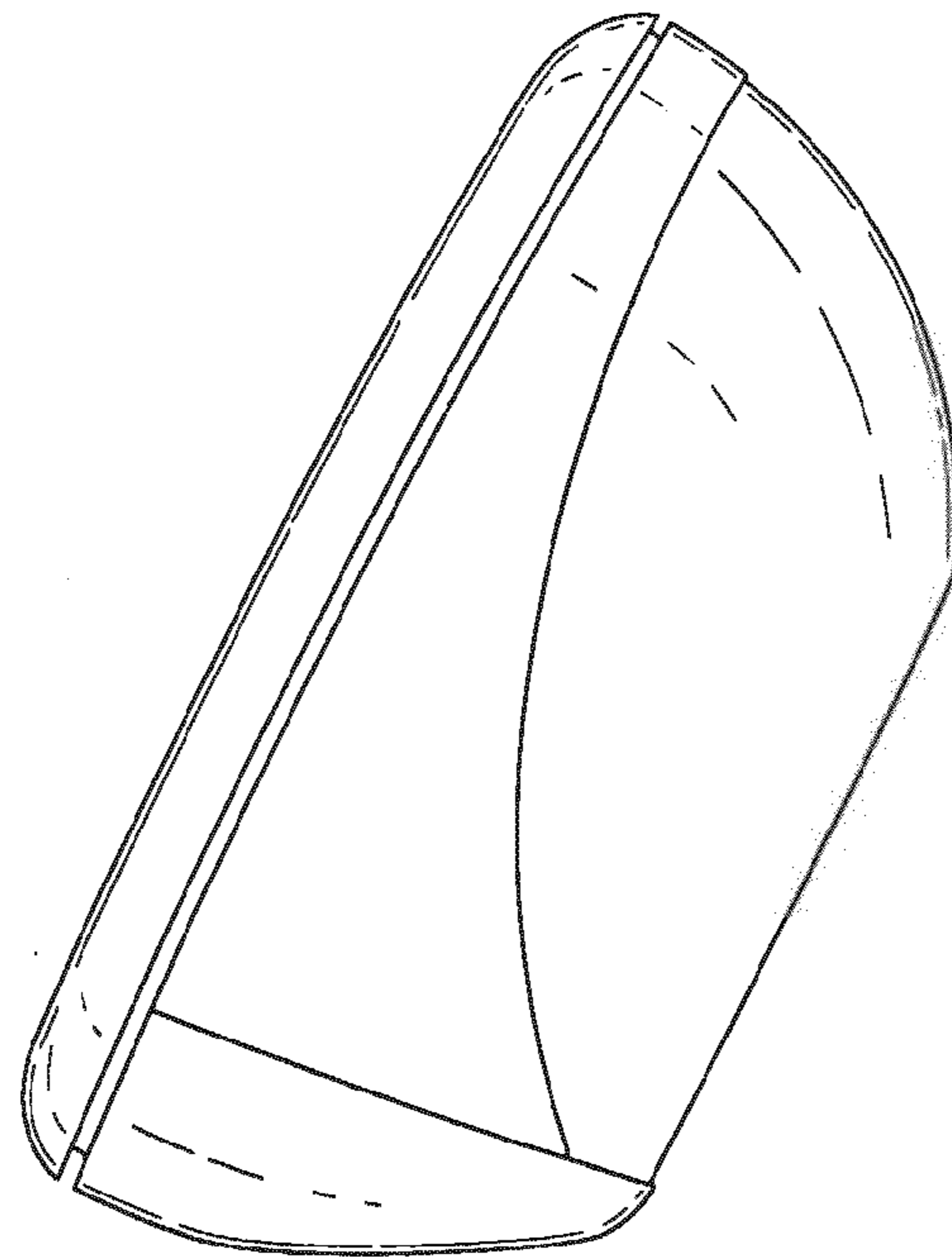


FIG. 5

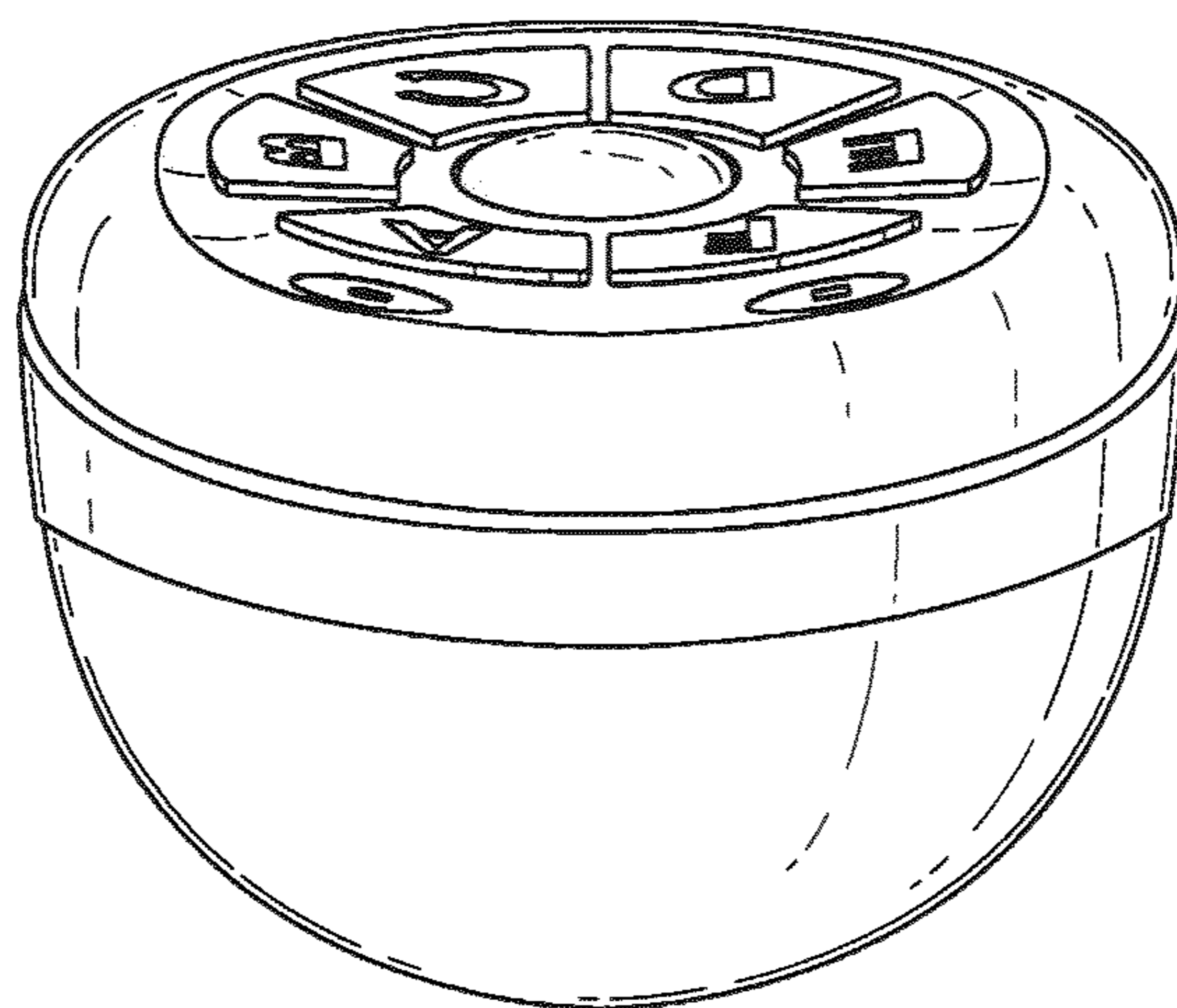


FIG. 6

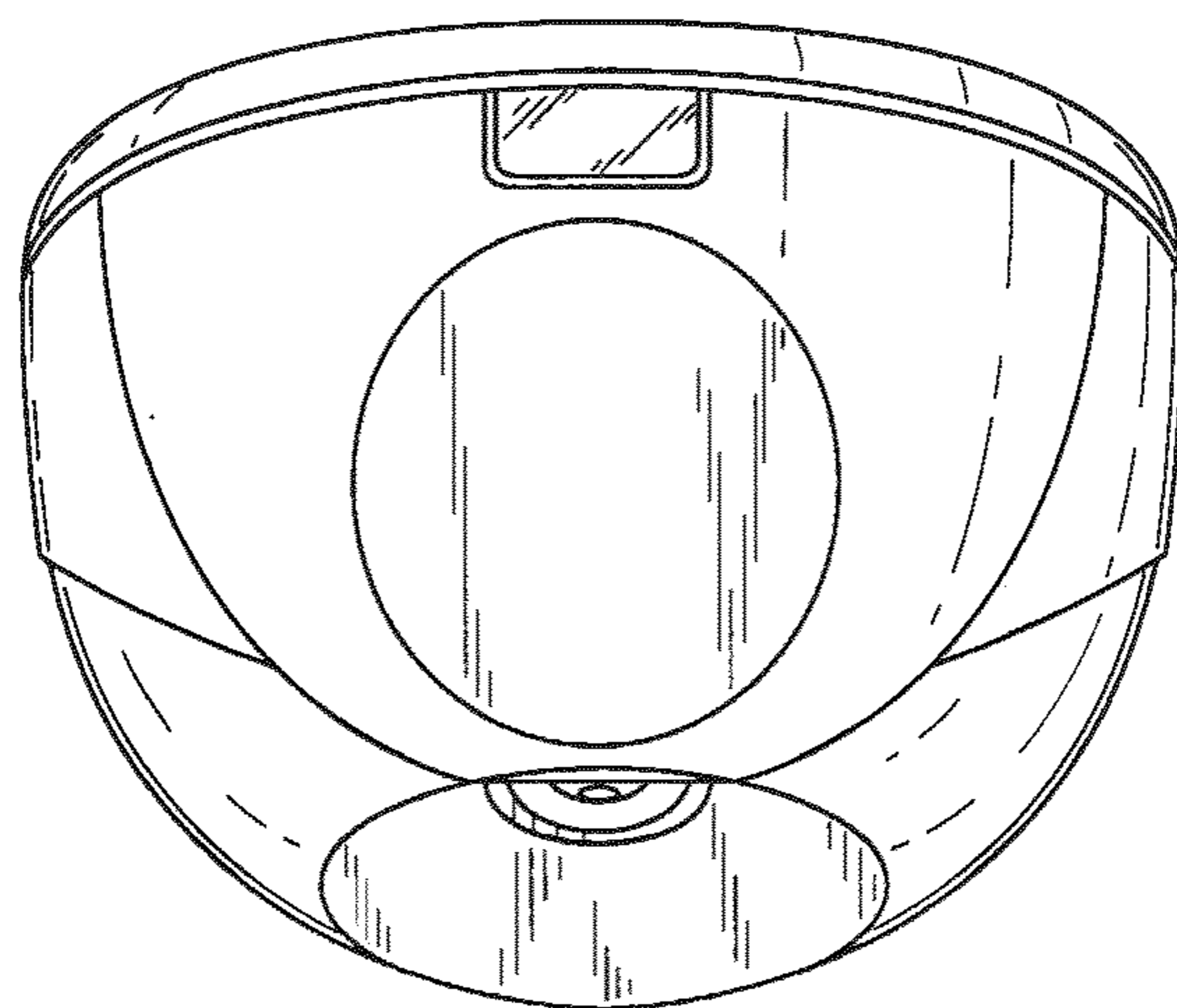


FIG. 7