

US00D696588S

(12) **United States Design Patent**
Maas et al.

(10) **Patent No.:** **US D696,588 S**

(45) **Date of Patent:** **** Dec. 31, 2013**

(54) **BOTTLE**

(75) Inventors: **David Maas**, Wheaton, IL (US); **Robert Kleckauskas**, St. Charles, IL (US); **John P. Coursey**, Chicago, IL (US); **Bruce Ronner**, Glencoe, IL (US); **Rita Sifuentes**, Melrose Park, IL (US); **Valorie Boldrey Langille**, Glen Ellyn, IL (US); **Charles A. Brewer**, St. Charles, IL (US); **Jeffrey M. Fish**, Perrysburg, OH (US)

(73) Assignee: **Arrow Plastic Manufacturing Co.**, Elk Grove, IL (US)

(**) Term: **14 Years**

(21) Appl. No.: **29/426,302**

(22) Filed: **Jul. 3, 2012**

(51) **LOC (9) Cl.** **09-01**

(52) **U.S. Cl.**
USPC **D9/528**

(58) **Field of Classification Search**
USPC D9/500, 502, 503, 516, 517, 519, 523, D9/528, 530, 531, 532, 549, 550, 558, 569, D9/719; 215/40, 43-49, 381-385, 398, 215/396; 222/488, 489, 544, 566-568, 570; 220/592.16, 592.17, 592.18, 752, 760, 220/769, 767, 768; D7/312, 313, 300, 306, D7/319, 321

See application file for complete search history.

(56) **References Cited**

U.S. PATENT DOCUMENTS

D305,981 S * 2/1990 Levee D7/313
D325,871 S * 5/1992 Hestehave et al. D9/520
D337,234 S * 7/1993 McGinnis D7/306
D341,514 S * 11/1993 McGinnis D7/313

D354,414 S * 1/1995 Westgerdes D7/313
D358,548 S * 5/1995 Platte D9/527
D361,509 S * 8/1995 Dull et al. D9/742
D366,419 S * 1/1996 Hestehave et al. D9/520
D389,002 S * 1/1998 Demore et al. D7/313
D458,541 S * 6/2002 Steiger et al. D9/528
7,168,582 B2 * 1/2007 Darr et al. 215/383
D556,584 S * 12/2007 Dorn D9/527
D587,955 S * 3/2009 Stamper D7/306
2005/0236414 A1 * 10/2005 Darr et al. 220/608

* cited by examiner

Primary Examiner — Derrick Holland

Assistant Examiner — Lauren Calve

(74) *Attorney, Agent, or Firm* — Wood, Phillips, Katz, Clark & Mortimer

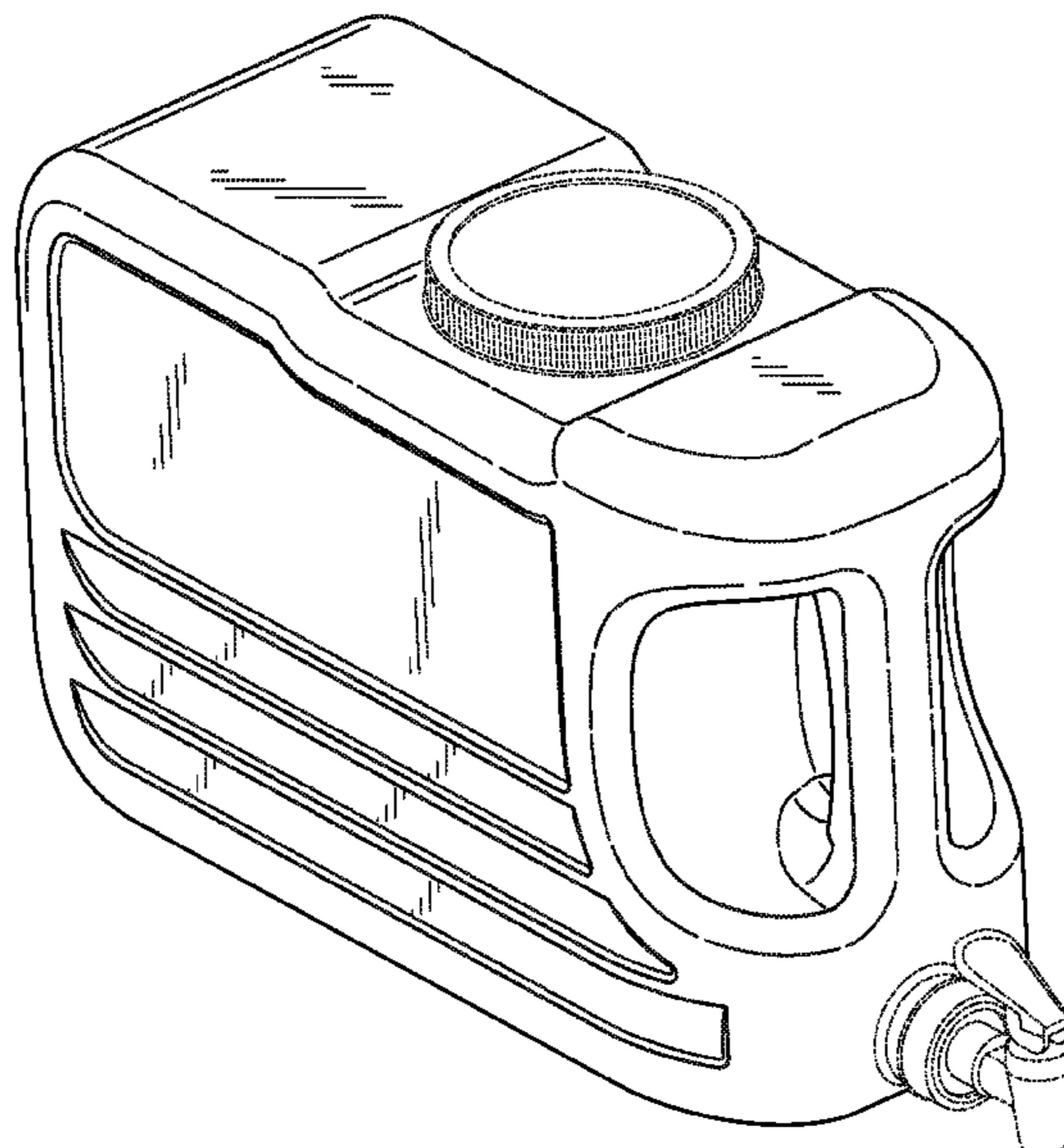
(57) **CLAIM**

The ornamental design for a bottle, substantially as shown and described.

DESCRIPTION

FIG. 1 is an isometric view of a bottle showing the present design;
FIG. 2 is a front, elevational view thereof;
FIG. 3 is a side, elevational view thereof, with the opposite side, elevational view being a mirror image thereof;
FIG. 4 is a top, plan view thereof;
FIG. 5 is a bottom, plan view thereof;
FIG. 6 is an isometric view of an alternative embodiment of the design;
FIG. 7 is a front, elevational view thereof;
FIG. 8 is a side, elevational view thereof, with the opposite side, elevational view being a mirror image thereof;
FIG. 9 is a top, plan view thereof; and,
FIG. 10 is a bottom, plan view thereof.
The broken line showing of a bottle represents unclaimed subject matter and forms no part of the claimed design.

1 Claim, 9 Drawing Sheets



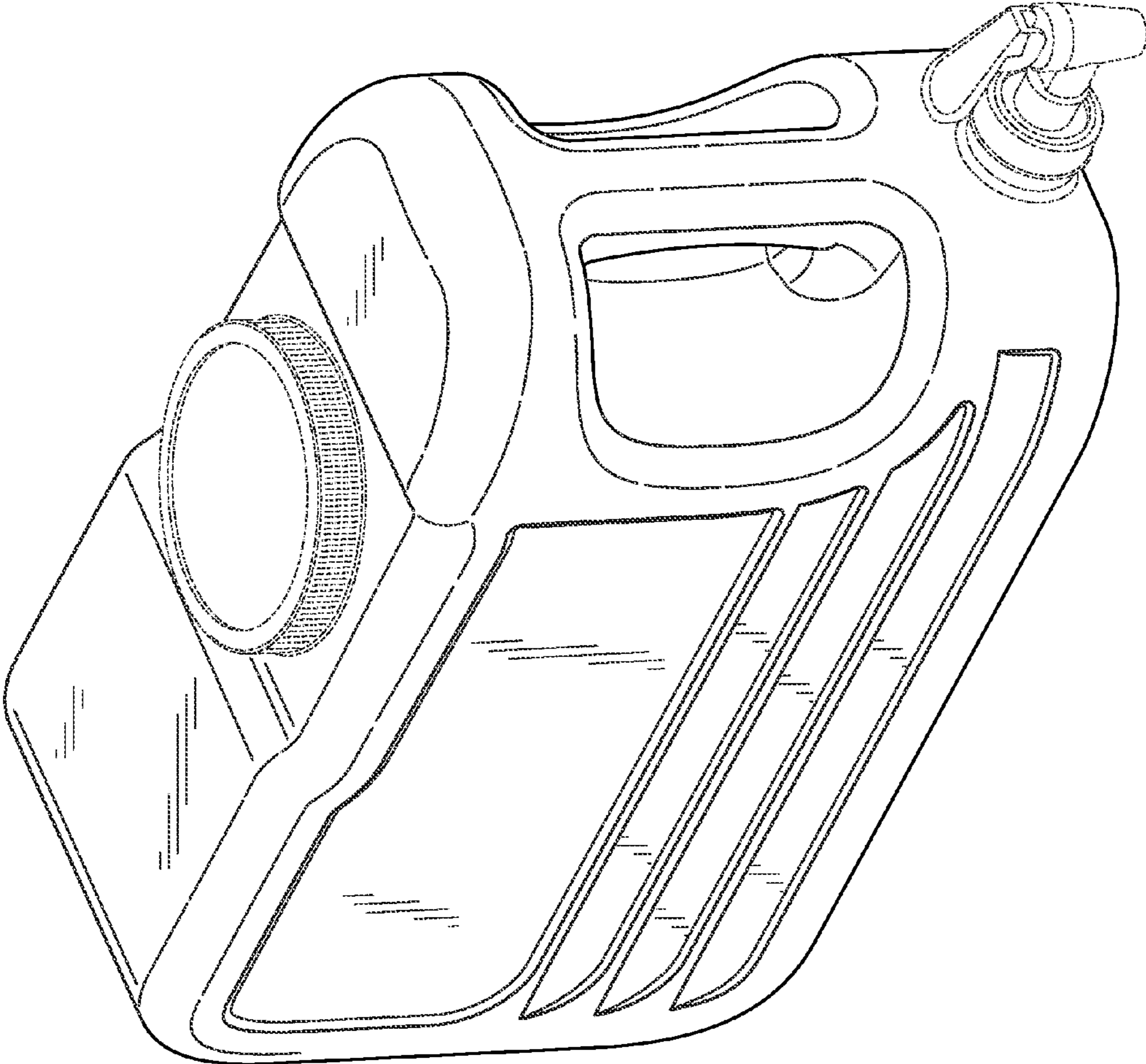


FIG. 1

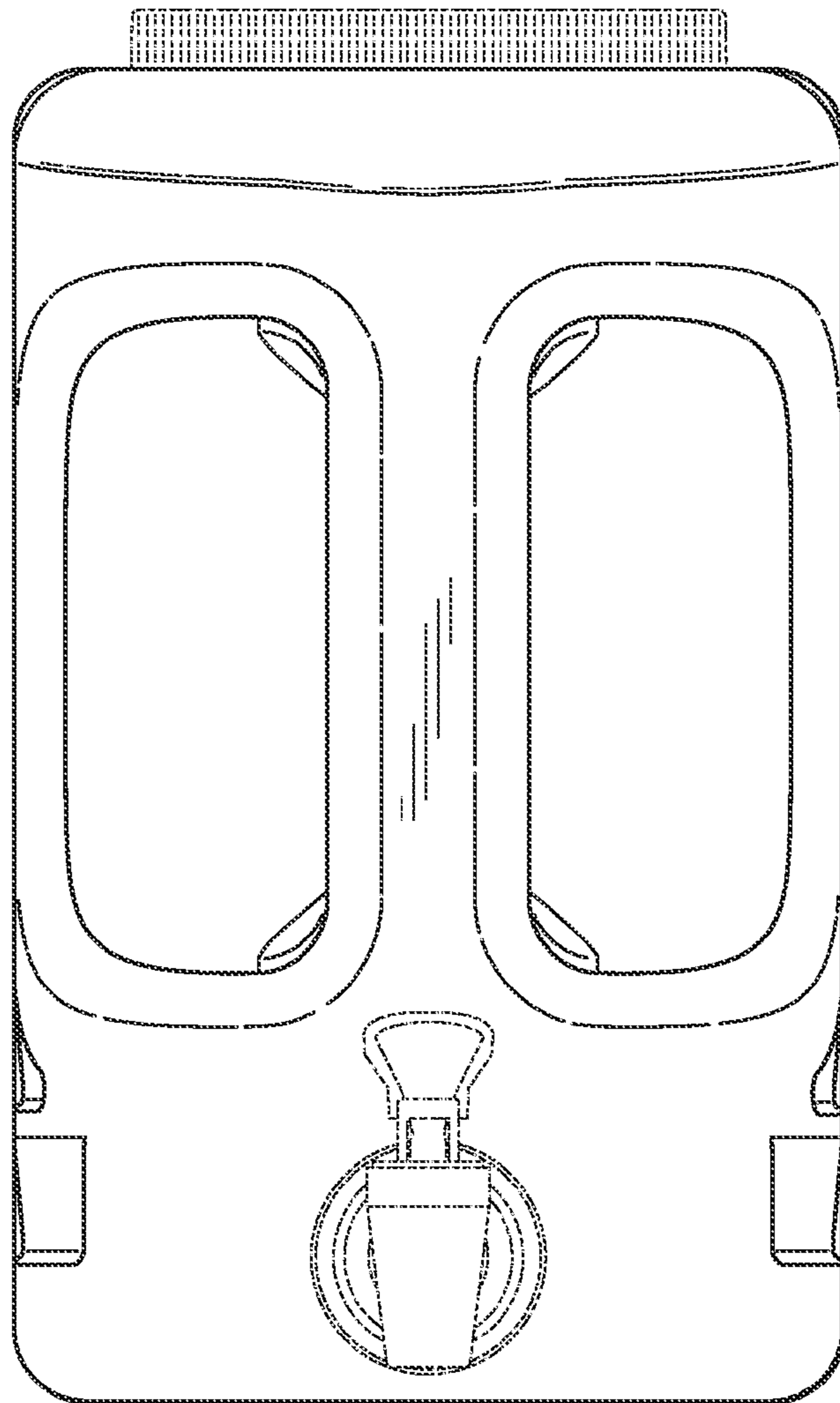


FIG. 2

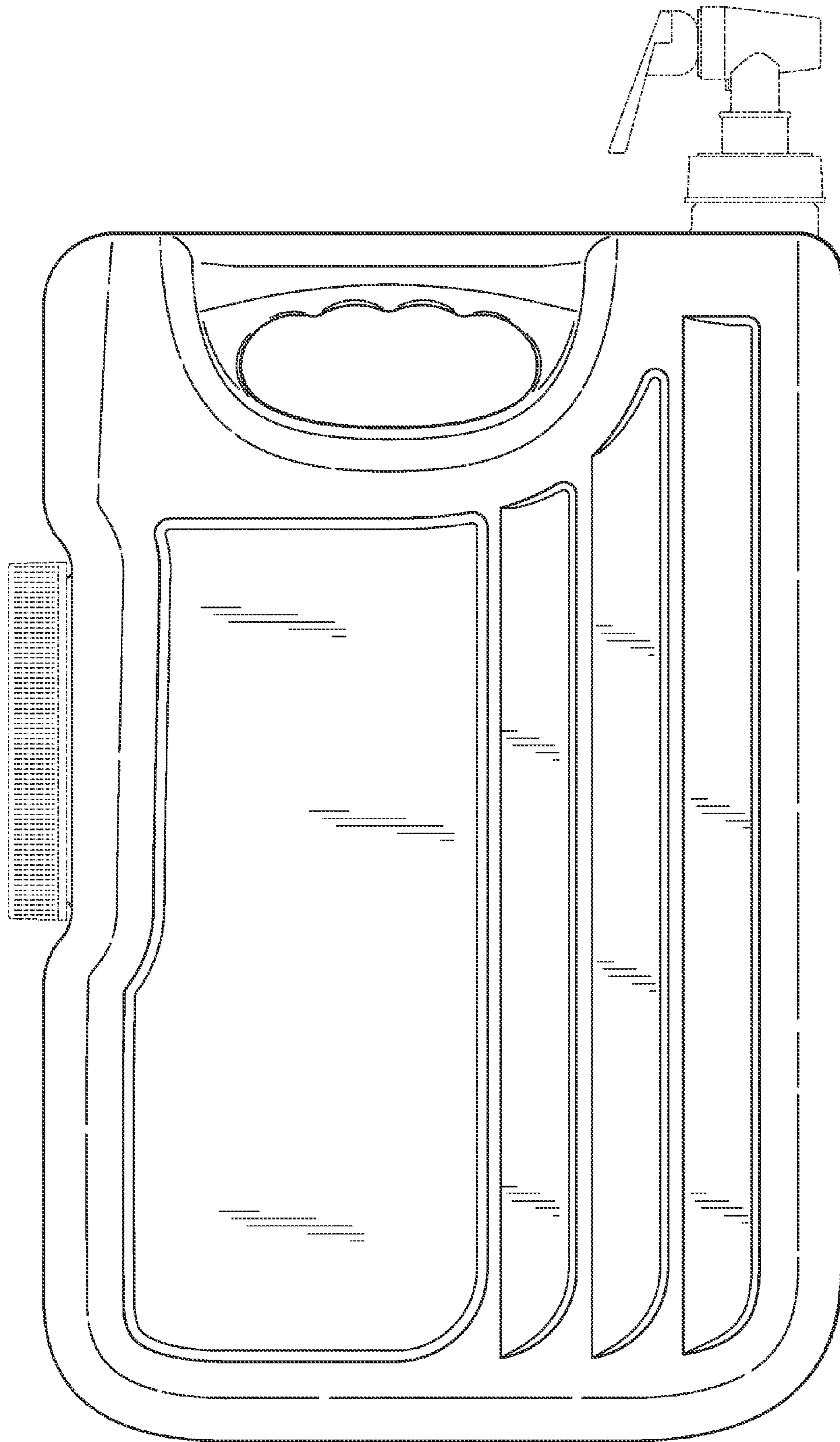


FIG. 3

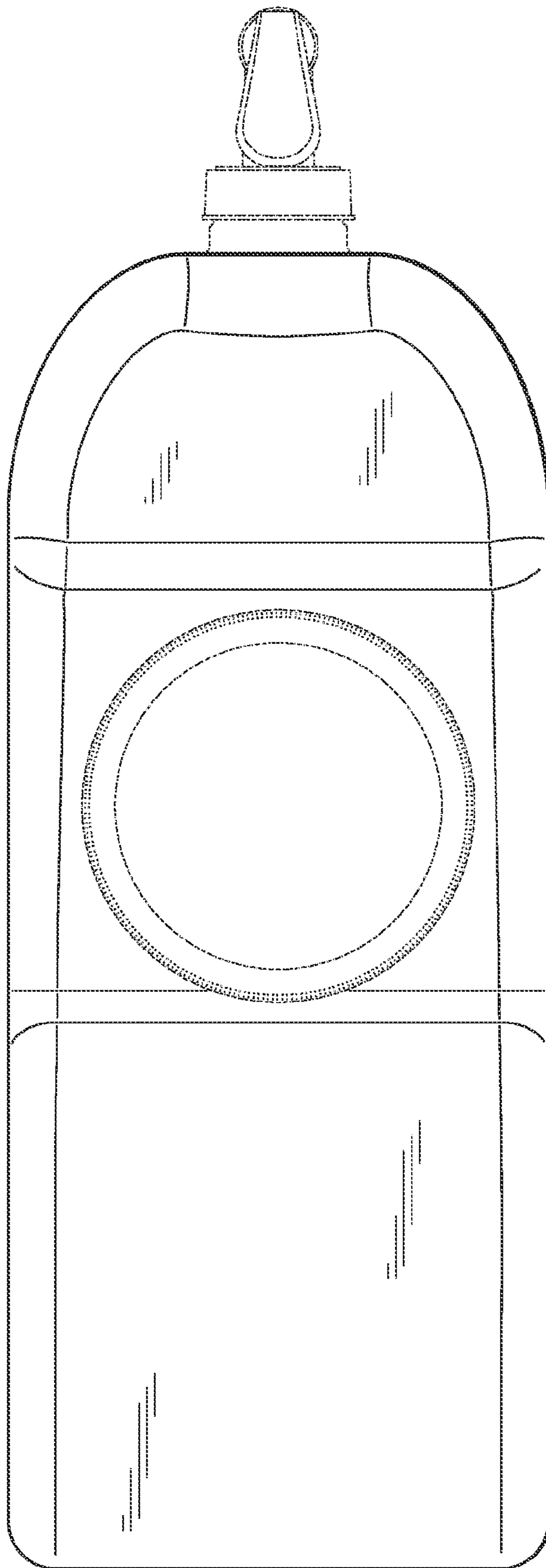


FIG. 4

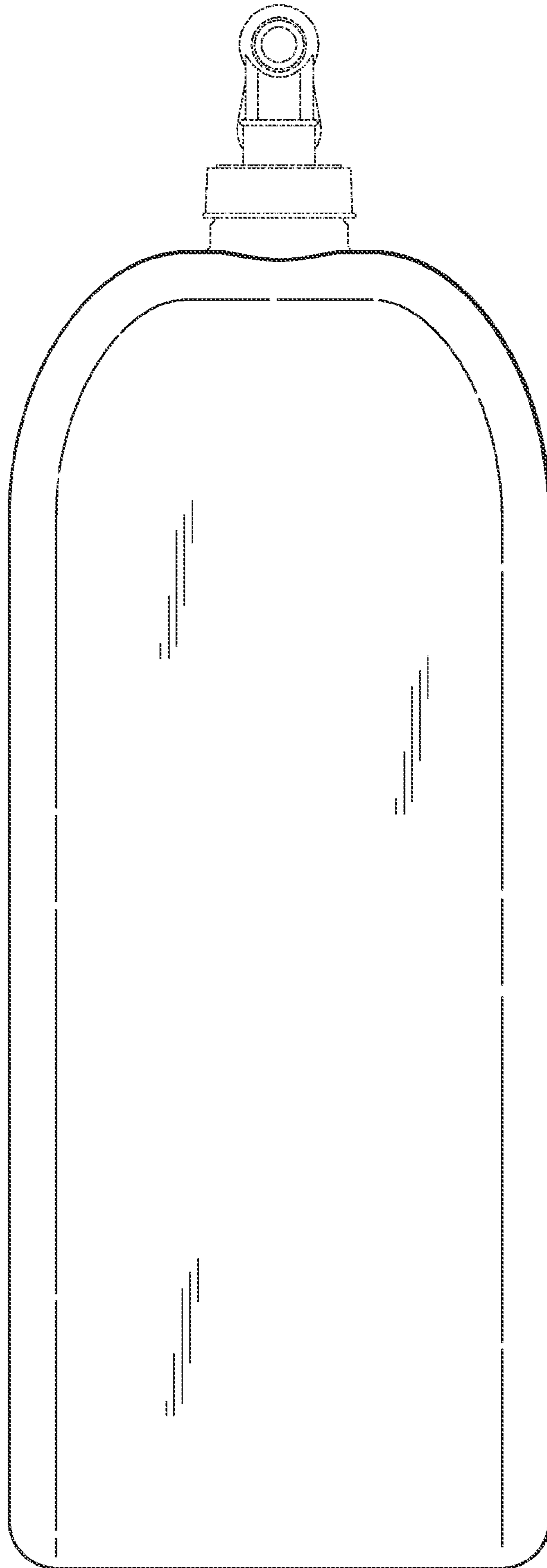


FIG. 5

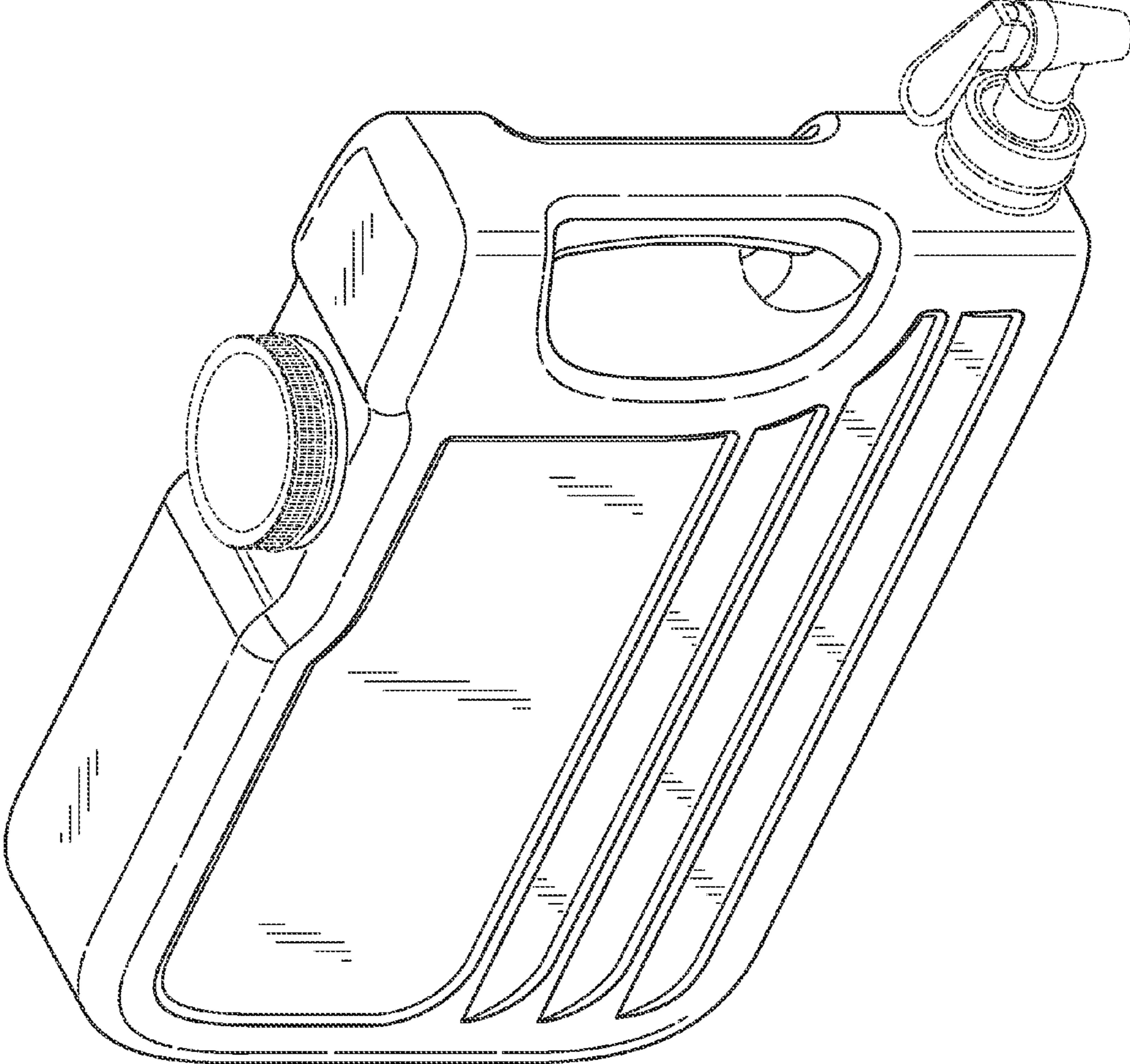


FIG. 6

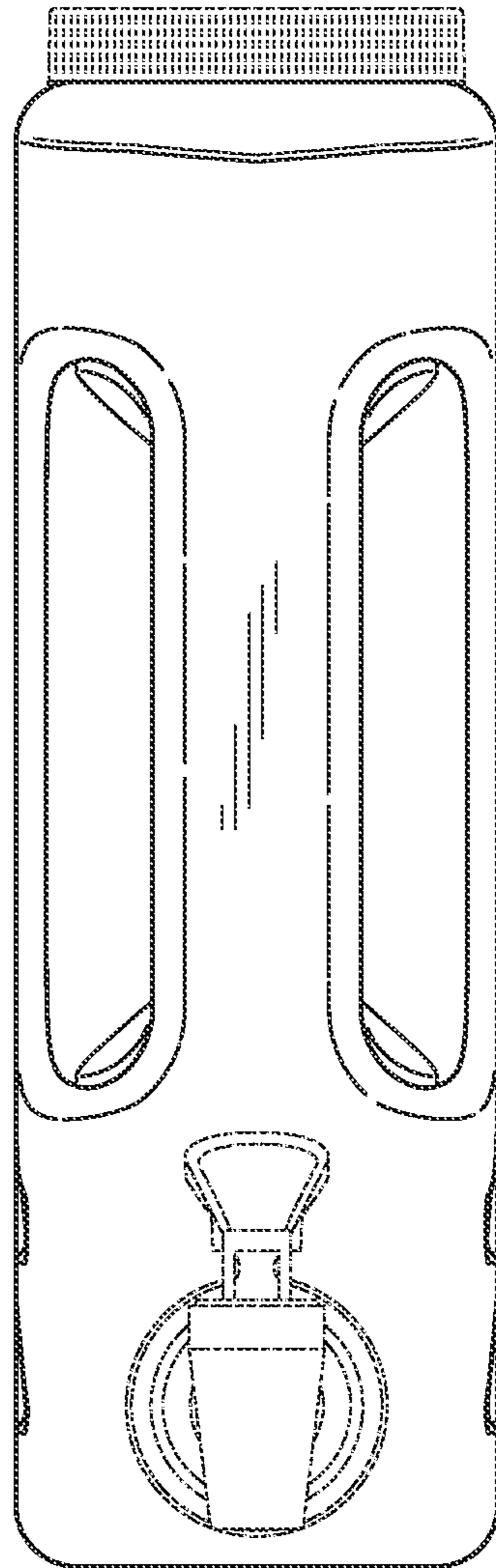


FIG. 7

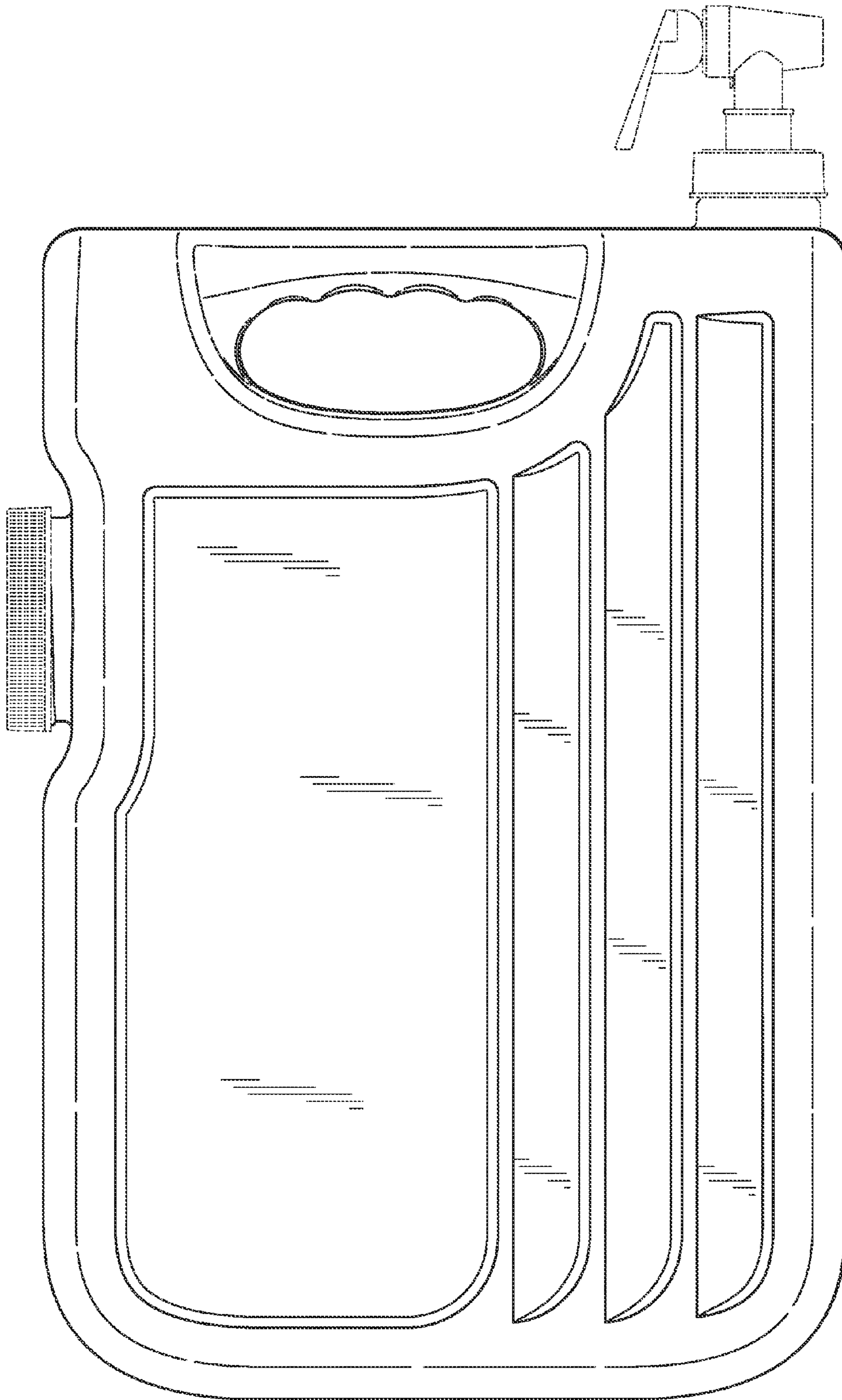


FIG. 8

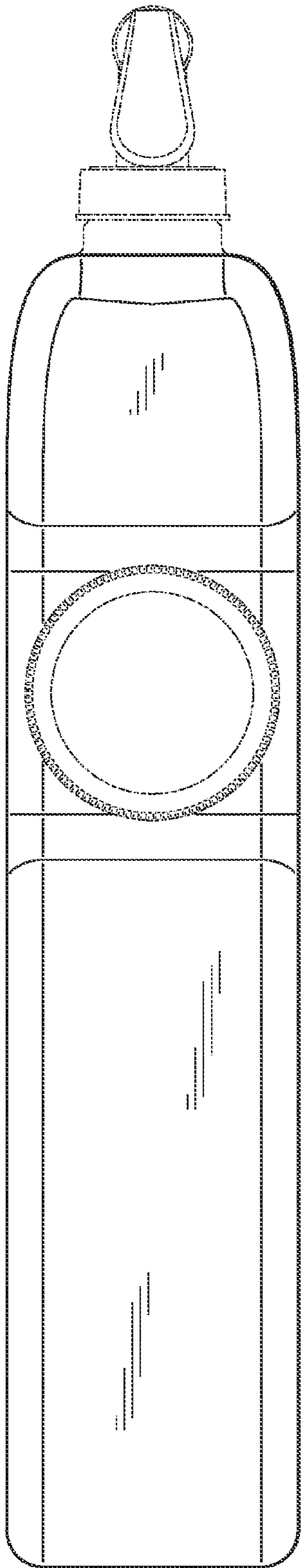


FIG. 9

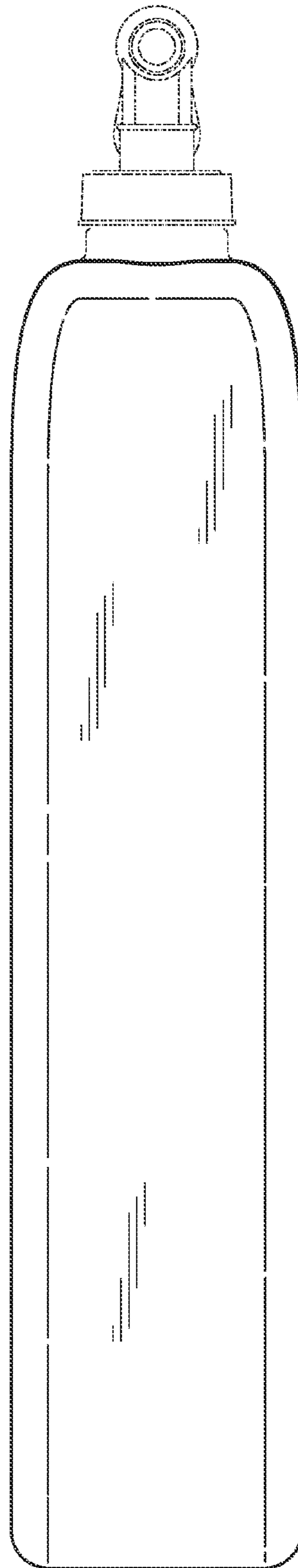


FIG. 10