



US00D696586S

(12) **United States Design Patent**  
**Huang**

(10) **Patent No.:** **US D696,586 S**

(45) **Date of Patent:** **\*\* Dec. 31, 2013**

(54) **BEER BOTTLE**

(76) Inventor: **Haoxun Huang**, Dongguan (CN)

(\*\*) Term: **14 Years**

(21) Appl. No.: **29/404,698**

(22) Filed: **Oct. 25, 2011**

(30) **Foreign Application Priority Data**

May 3, 2011 (CN) ..... 2011 3 0102075

(51) **LOC (9) Cl.** ..... **09-01**

(52) **U.S. Cl.**  
USPC ..... **D9/503**; D9/454; D9/558; D9/780;  
D7/511; D7/523

(58) **Field of Classification Search**  
USPC ..... D9/500, 502-505, 516, 537, 539-540,  
D9/545, 549, 558, 682, 685-686, 688-692,  
D9/763, 772-773, 454, 775-780;  
D7/509-511, 523, 615, 629-630;  
215/379, 382, 387, DIG. 7; 220/660,  
220/669-673, 675, 592.16, 592.17;  
229/404

See application file for complete search history.

(56) **References Cited**

**U.S. PATENT DOCUMENTS**

D38,248 S *	9/1906	Helmer	.....	D7/523
D67,869 S *	7/1925	Boswell	.....	D7/523
3,197,057 A *	7/1965	Weitzner	.....	215/388
D383,037 S *	9/1997	Asberg	.....	D7/511
D469,658 S *	2/2003	Norris et al.	.....	D7/523
D474,077 S *	5/2003	Hatsumoto	.....	D7/608
D483,611 S *	12/2003	Diak Ghanem	.....	D7/523

D489,620 S *	5/2004	Goodell et al.	.....	D9/503
D502,633 S *	3/2005	Liu	.....	D7/523
D513,590 S *	1/2006	Westphal	.....	D9/504
D523,339 S *	6/2006	Westphal	.....	D9/500
D523,340 S *	6/2006	Westphal	.....	D9/500
D529,822 S *	10/2006	Munn	.....	D9/776
D550,084 S *	9/2007	King	.....	D9/504
D569,188 S *	5/2008	Tornqvist	.....	D7/523
D631,760 S *	2/2011	Stanishkov	.....	D9/776
D643,752 S *	8/2011	Eggers et al.	.....	D9/776
8,033,407 B2 *	10/2011	Minca	.....	215/13.1
D648,179 S *	11/2011	Myers	.....	D7/523
D648,599 S *	11/2011	Watanabe et al.	.....	D7/523
D662,419 S *	6/2012	Potts	.....	D9/500
D675,110 S *	1/2013	Myers	.....	D9/776

\* cited by examiner

*Primary Examiner* — Terry Wallace

*Assistant Examiner* — Dana L Meyrow

(74) *Attorney, Agent, or Firm* — Jackson IPG PLLC

(57) **CLAIM**

The ornamental design for a beer bottle, as shown and described.

**DESCRIPTION**

FIG. 1 is a top, front perspective view of a beer bottle showing my new design;

FIG. 2 is a front elevation view thereof;

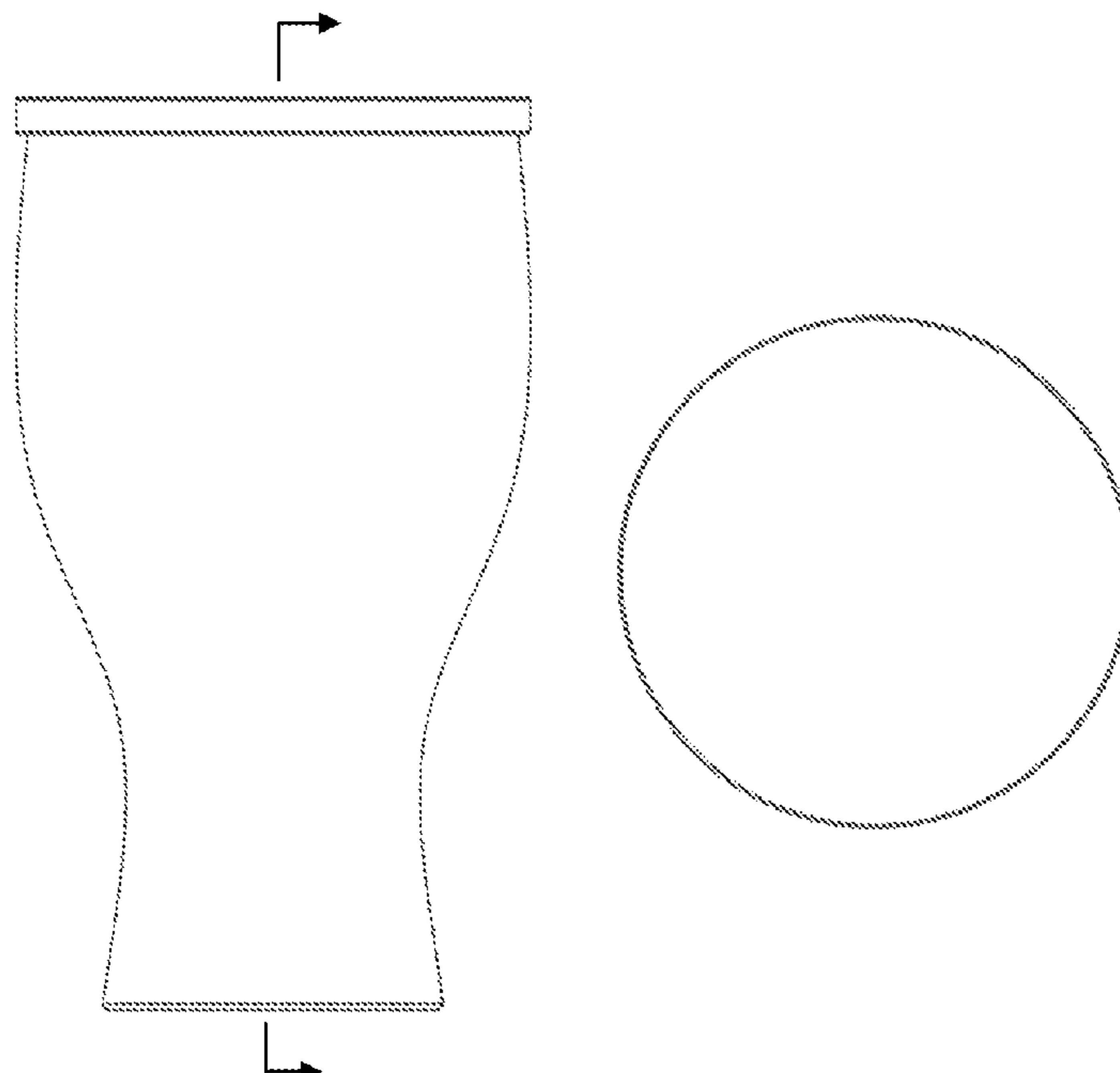
FIG. 3 is a top plan view thereof;

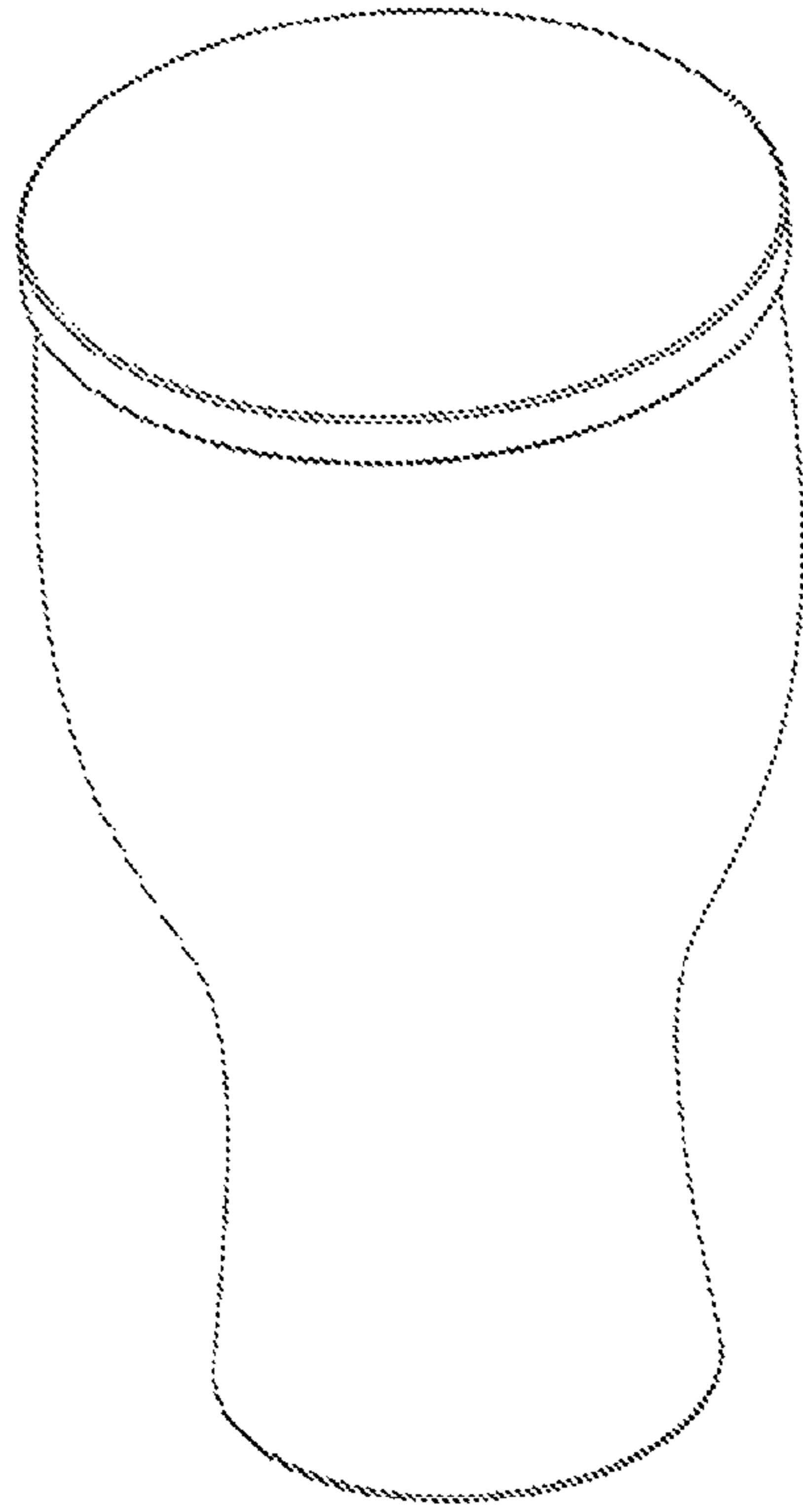
FIG. 4 is a bottom plan view thereof; and,

FIG. 5 is a cross-section view taken along the line 5-5 in FIG. 2.

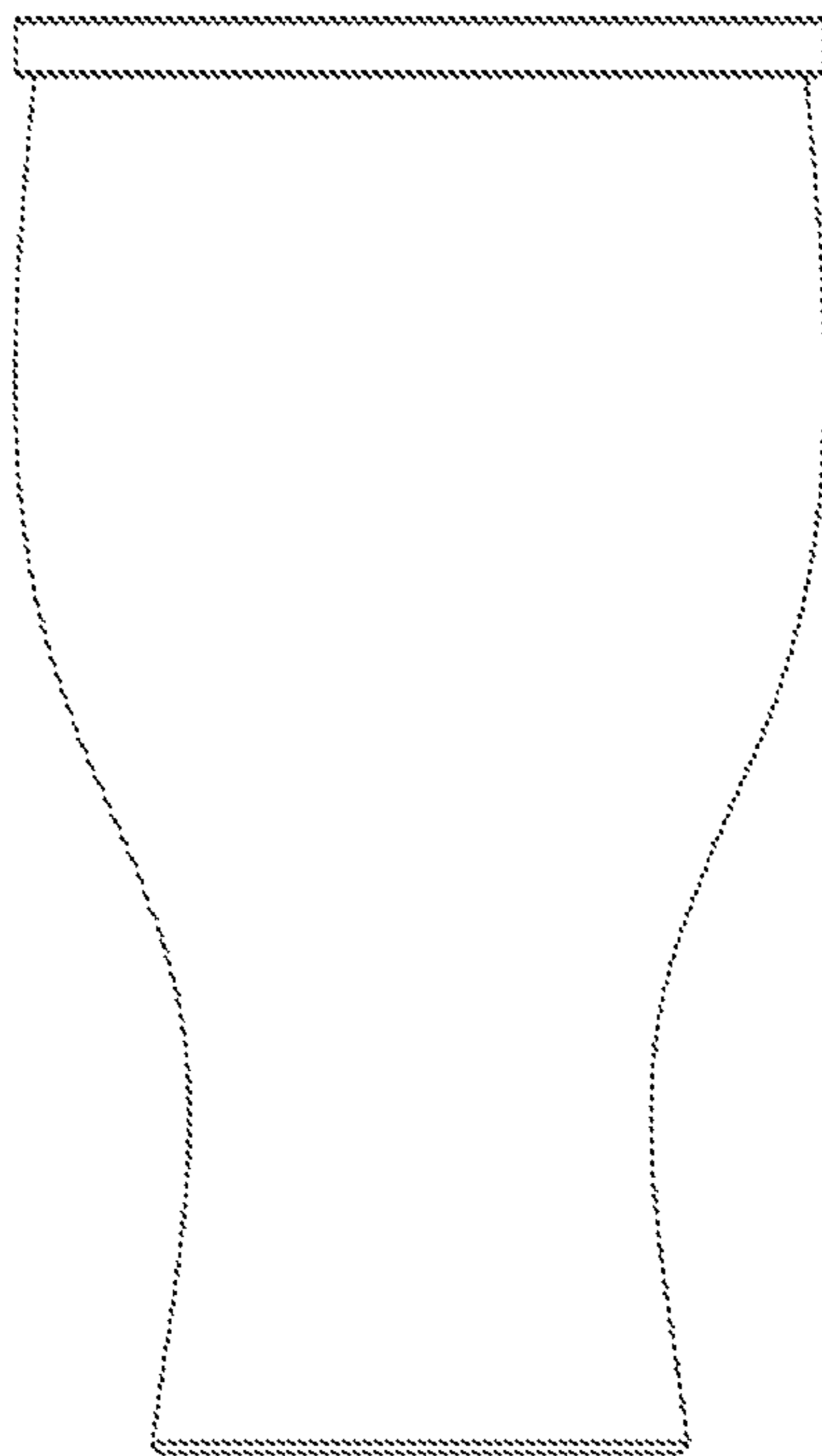
A rear elevational view, a left side elevational view and a right side elevational view are same with the front elevational view (FIG. 2).

**1 Claim, 3 Drawing Sheets**

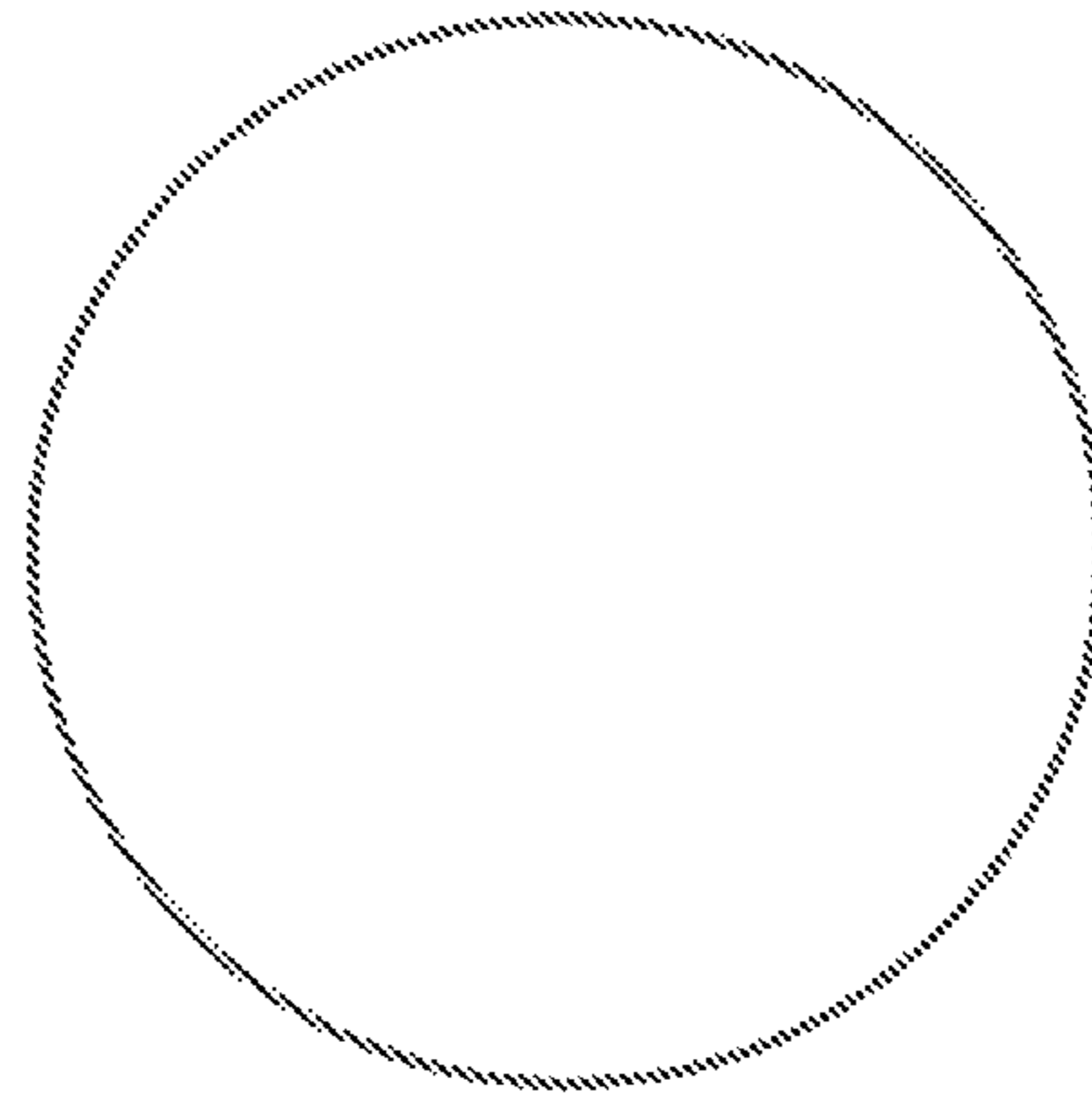




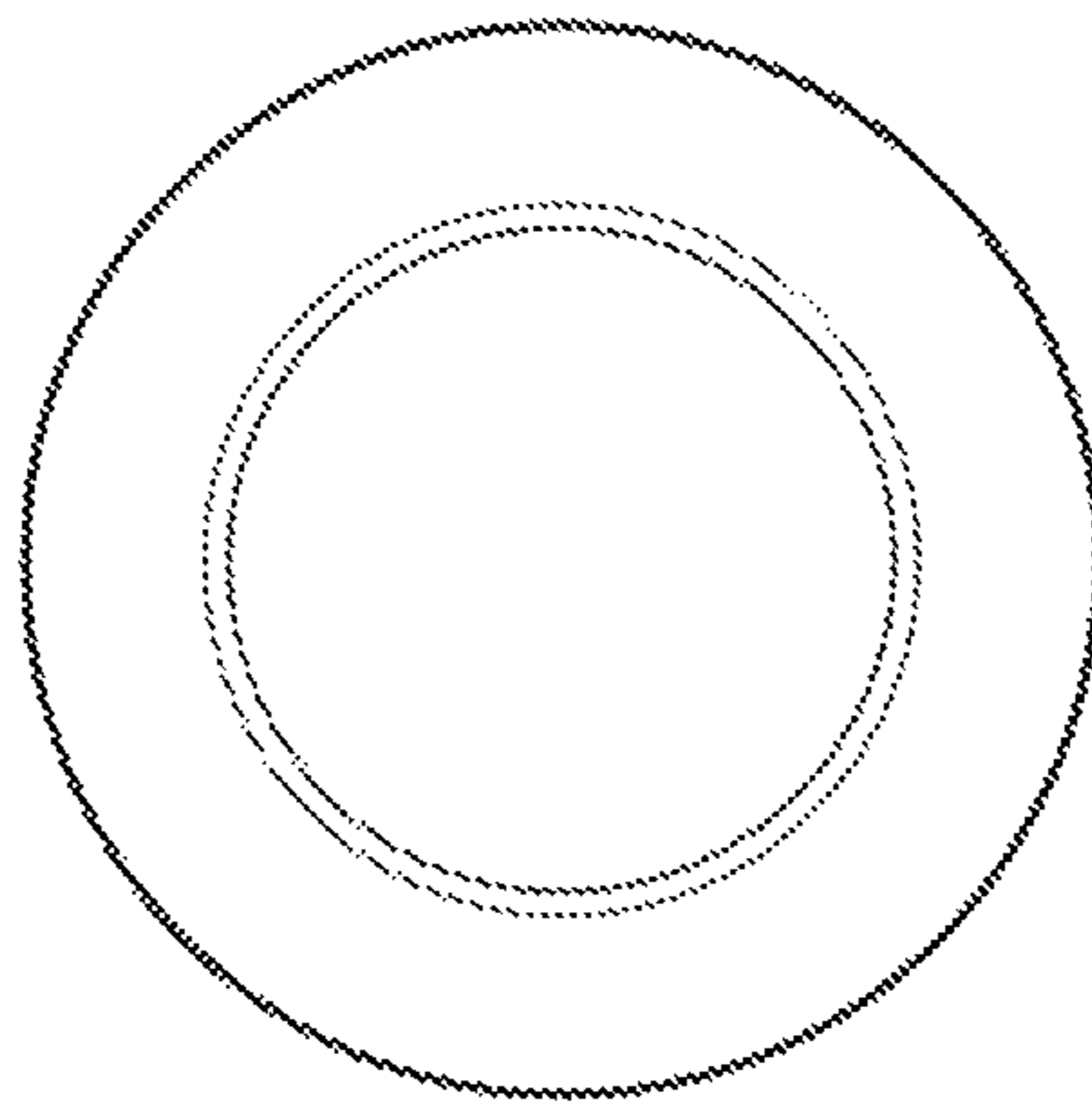
**FIG. 1**



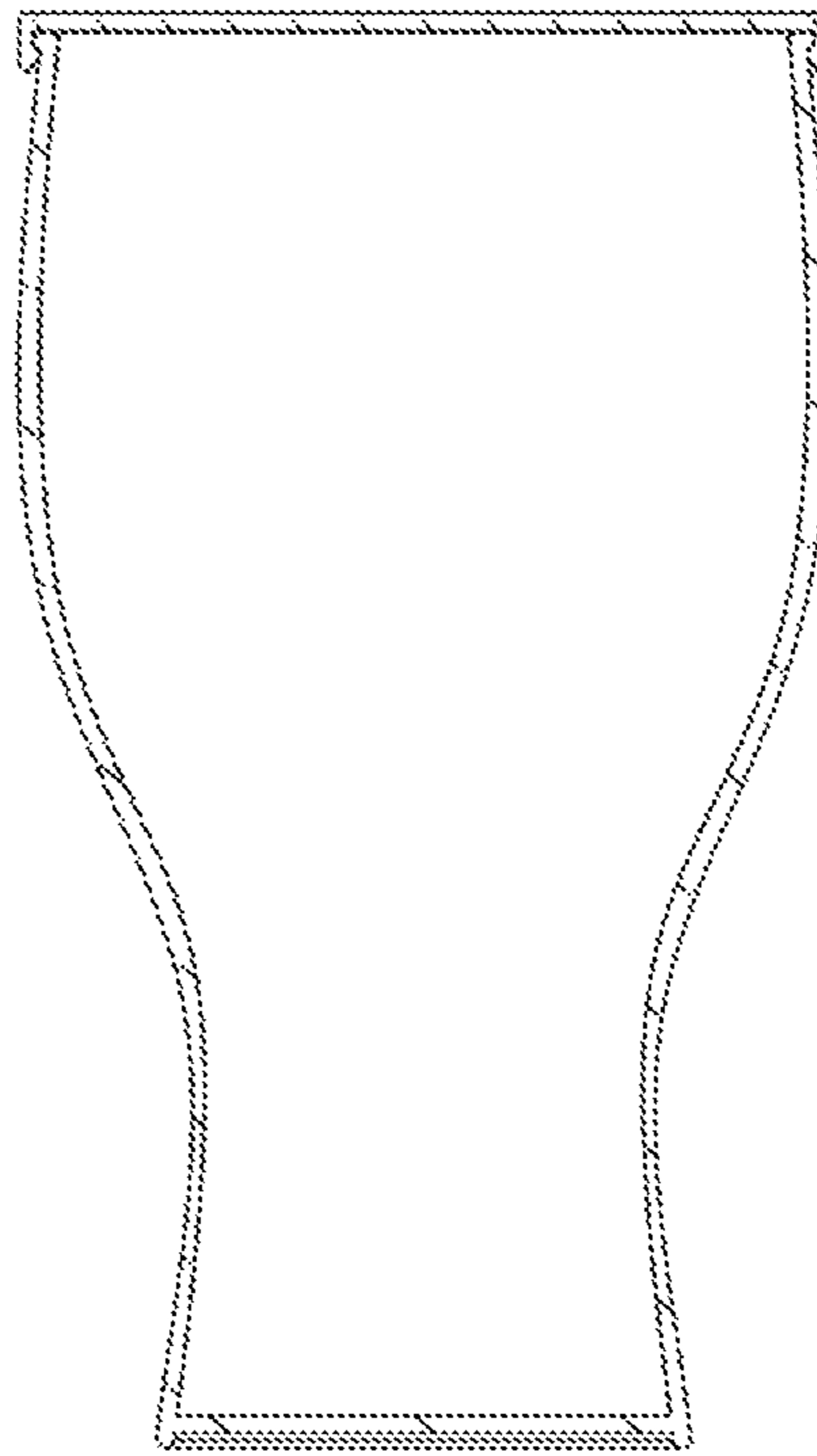
**FIG. 2**



**FIG. 3**



**FIG. 4**



**FIG. 5**