



US00D696582S

(12) **United States Design Patent**
Ramsey et al.

(10) **Patent No.:** **US D696,582 S**

(45) **Date of Patent:** **** Dec. 31, 2013**

(54) **CAN WITH ARROW TAB**

(56) **References Cited**

(71) Applicant: **Crown Packaging Technology, Inc.,**
Alsip, IL (US)

U.S. PATENT DOCUMENTS

(72) Inventors: **Christopher Paul Ramsey,** Wantage
(GB); **Lucy Winstanley,** Gloucestershire
(GB)

D199,822	S	*	12/1964	Bozek	D9/438
D200,883	S	*	4/1965	Bozek	D9/438
D422,211	S	*	4/2000	Sedgeley	D9/434
D422,213	S	*	4/2000	Sedgeley	D9/434
D426,155	S	*	6/2000	Blow et al.	D9/434
D533,775	S	*	12/2006	Huckel	D9/438
8,146,768	B2	*	4/2012	Forrest et al.	220/272
2005/0045637	A1	*	3/2005	Rohr et al.	220/269

(73) Assignee: **Crown Packaging Technology, Inc.,**
Alsip, IL (US)

* cited by examiner

(**) Term: **14 Years**

Primary Examiner — Susan Bennett Hattan

(21) Appl. No.: **29/435,349**

(74) *Attorney, Agent, or Firm* — Woodcock Washburn LLP

(22) Filed: **Oct. 23, 2012**

(57) **CLAIM**

We claim the ornamental design for a can with arrow tab, as shown and described.

(30) **Foreign Application Priority Data**

DESCRIPTION

Apr. 24, 2012 (EM) 002031997-0001

(51) **LOC (9) Cl.** **09-07**

(52) **U.S. Cl.**
USPC **D9/438**

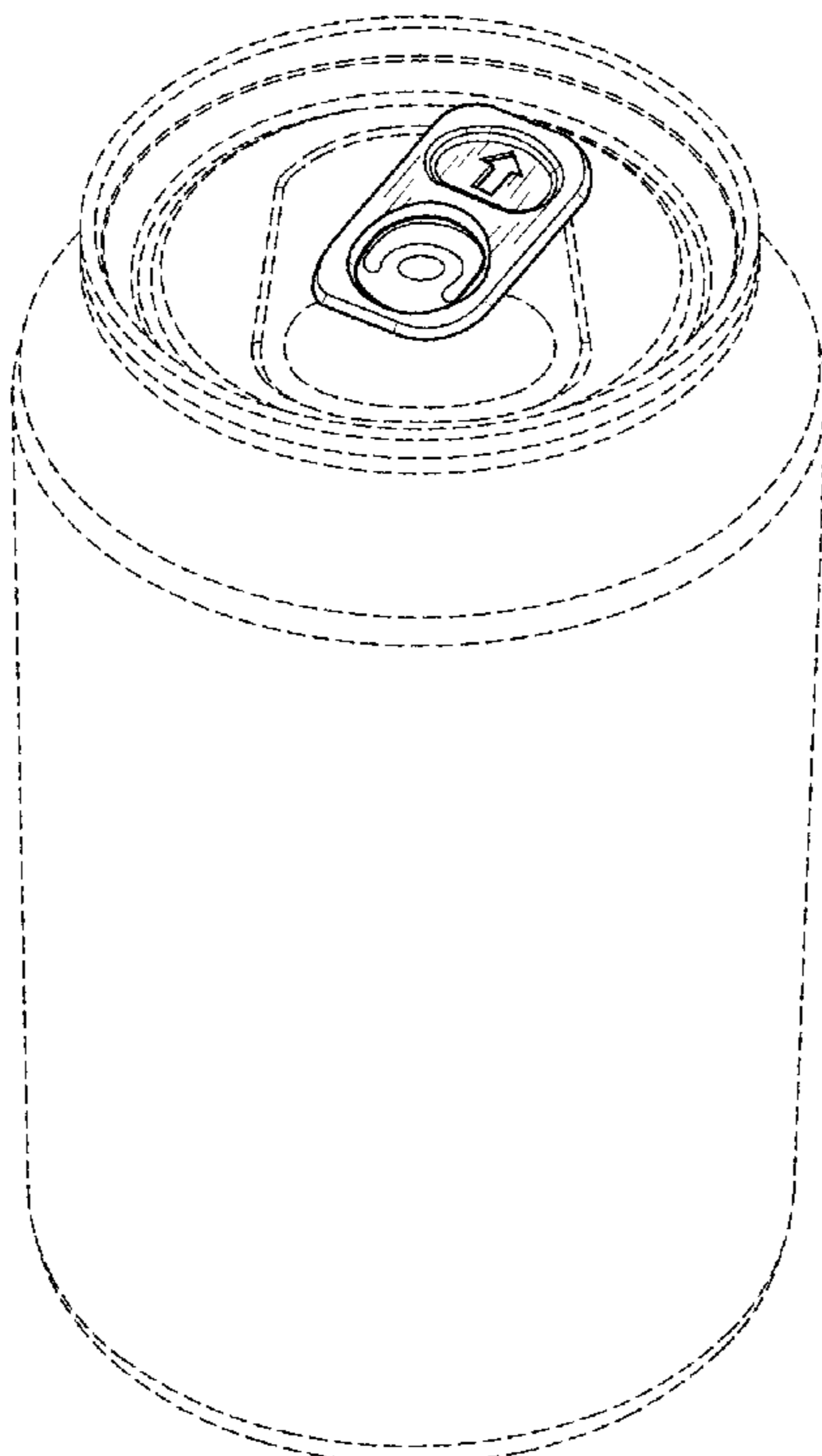
(58) **Field of Classification Search**
USPC D9/780, 772, 767, 763, 454, 438, 434,
D9/428, 425, 432; D7/396.2, 392.1, 627,
D7/605, 553.2, 541; 220/713, 711, 703,
220/377, 273, 270, 256.1, 254.1, 906,
220/367.1, 366.1, 276, 272, 271, 265;
229/406, 123.2

FIG. 1 is a top plan view of a can with arrow tab, wherein the arrow is formed as a punched hole;
FIG. 2 is a side elevation view thereof, the side view from opposing and orthogonal perspectives are identical to the view of FIG. 2;
FIG. 3 a bottom plan view thereof;
FIG. 4 is perspective view thereof, with the tab is a first position; and,
FIG. 5 is a perspective view thereof, with the tab in a second position.

The portions of the drawings appearing in broken lines are for environment only and do not form a part of the claimed design.

See application file for complete search history.

1 Claim, 5 Drawing Sheets



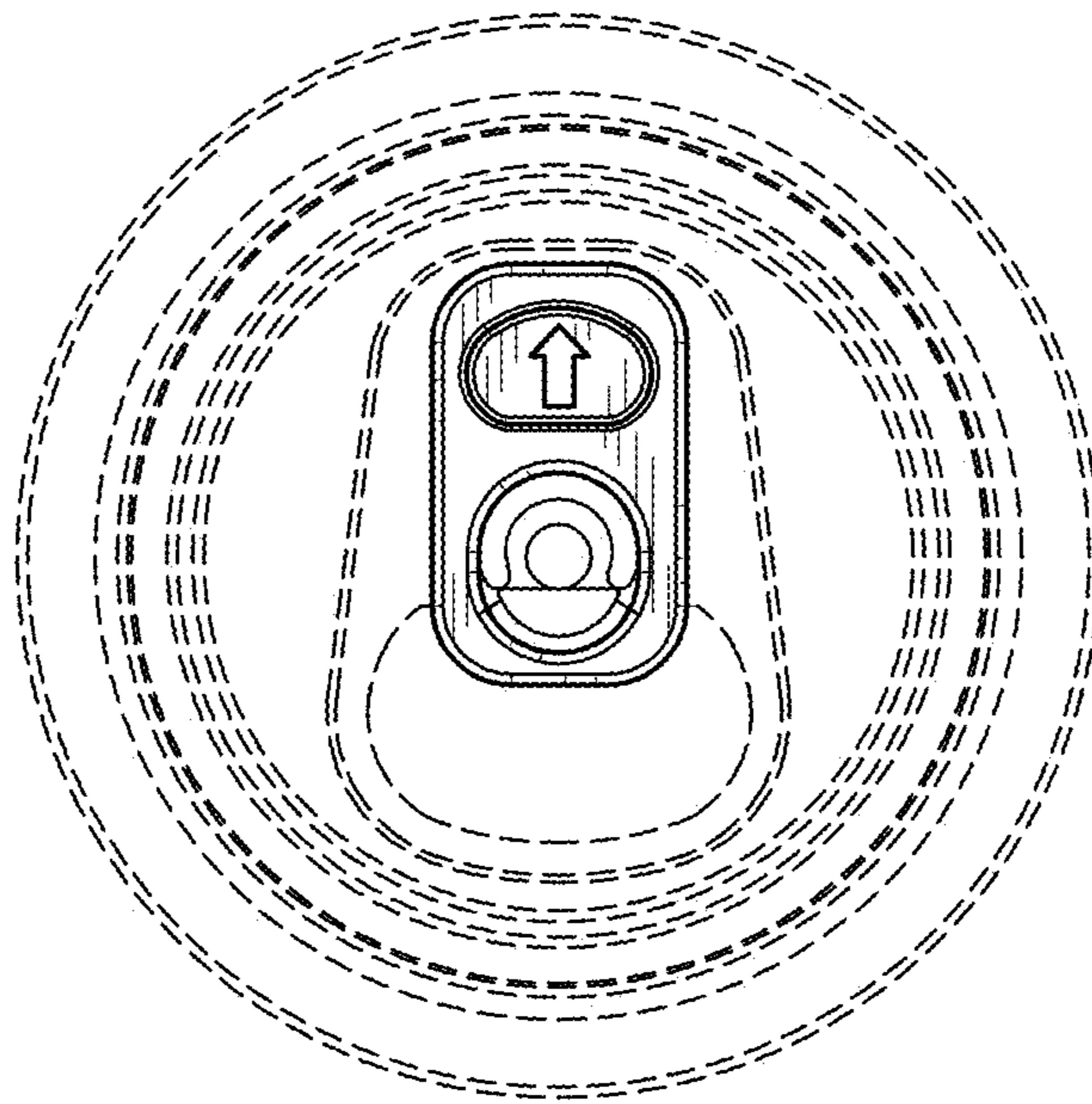


FIG. 1

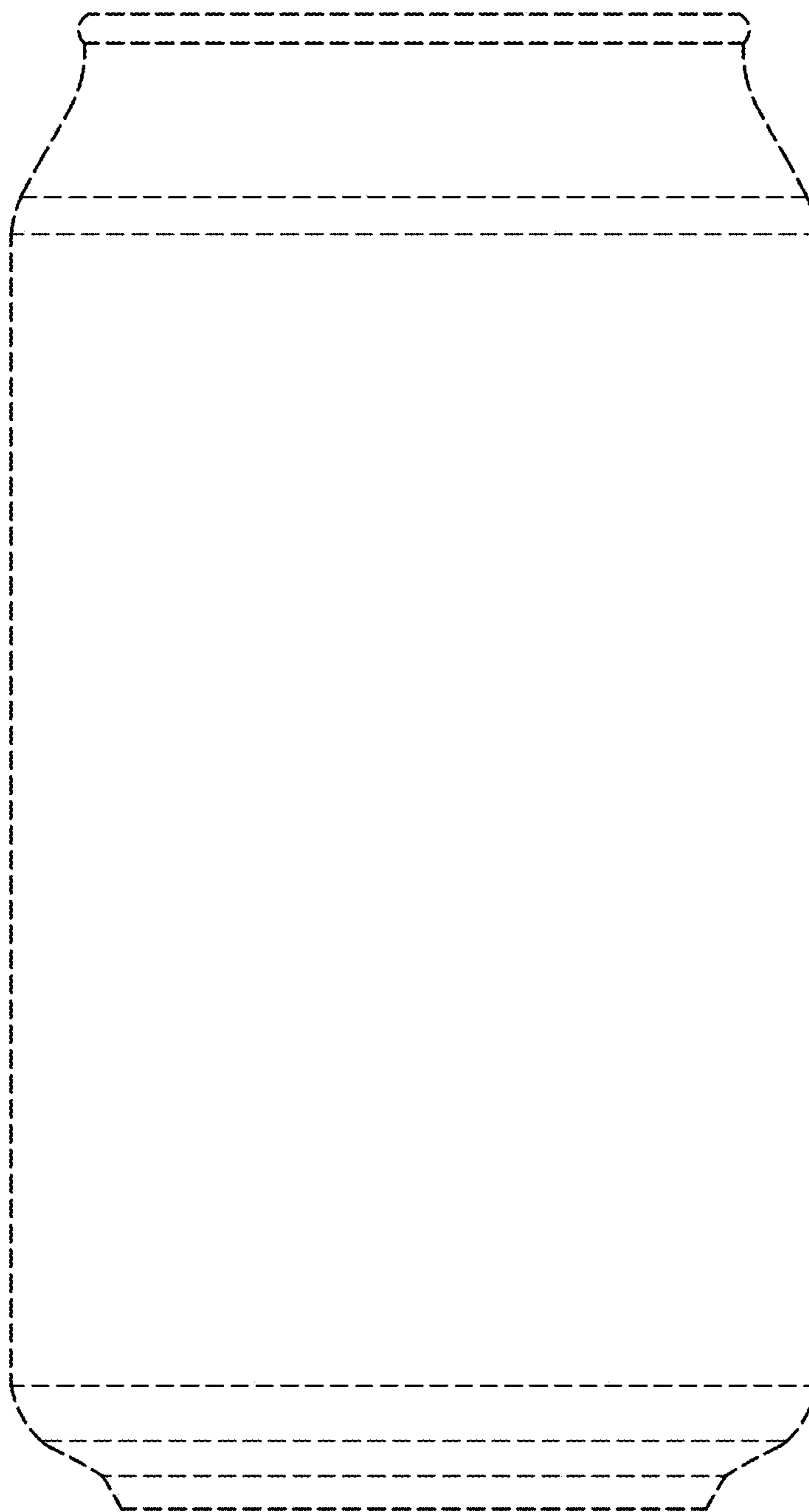


FIG. 2

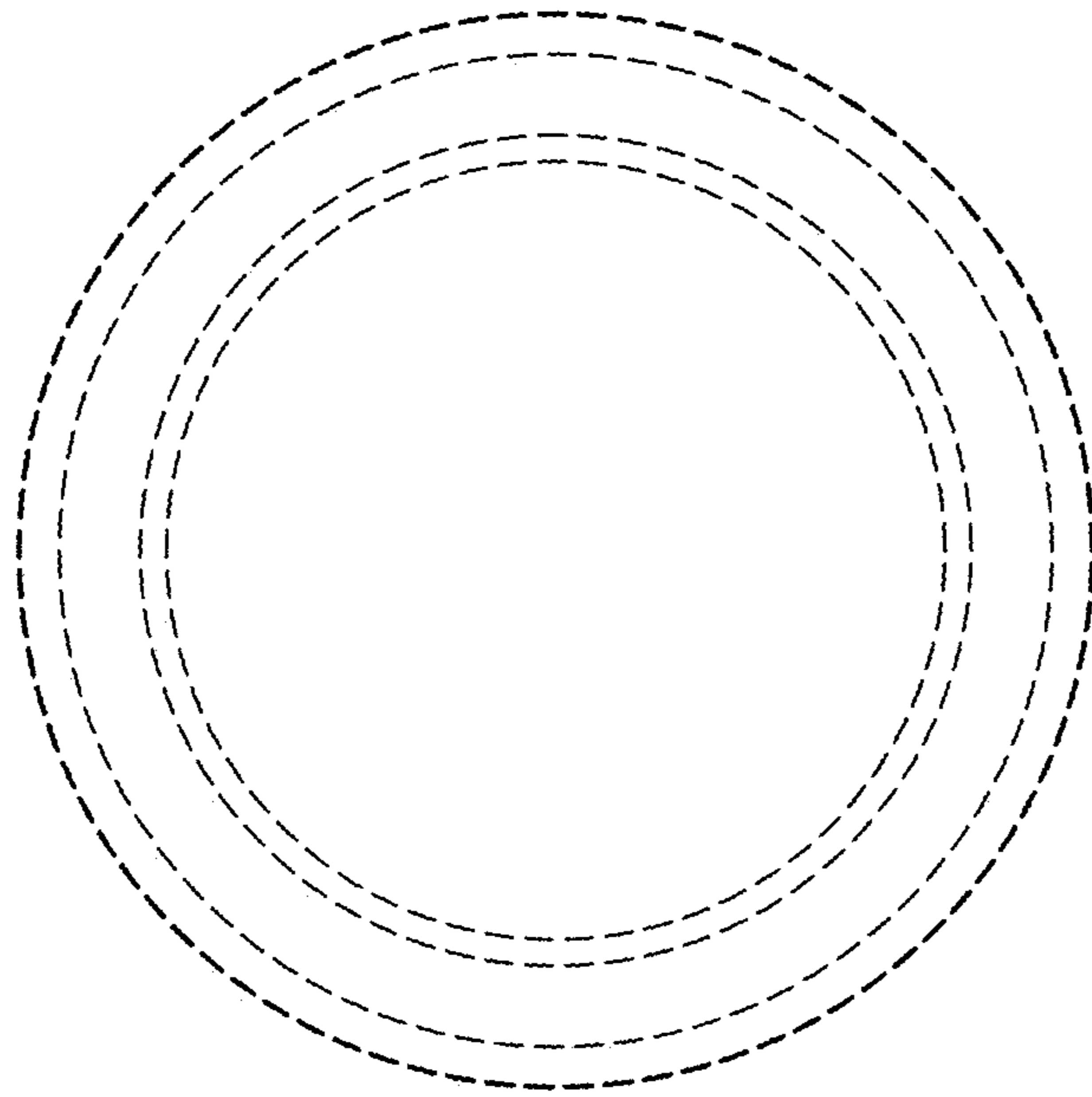


FIG. 3

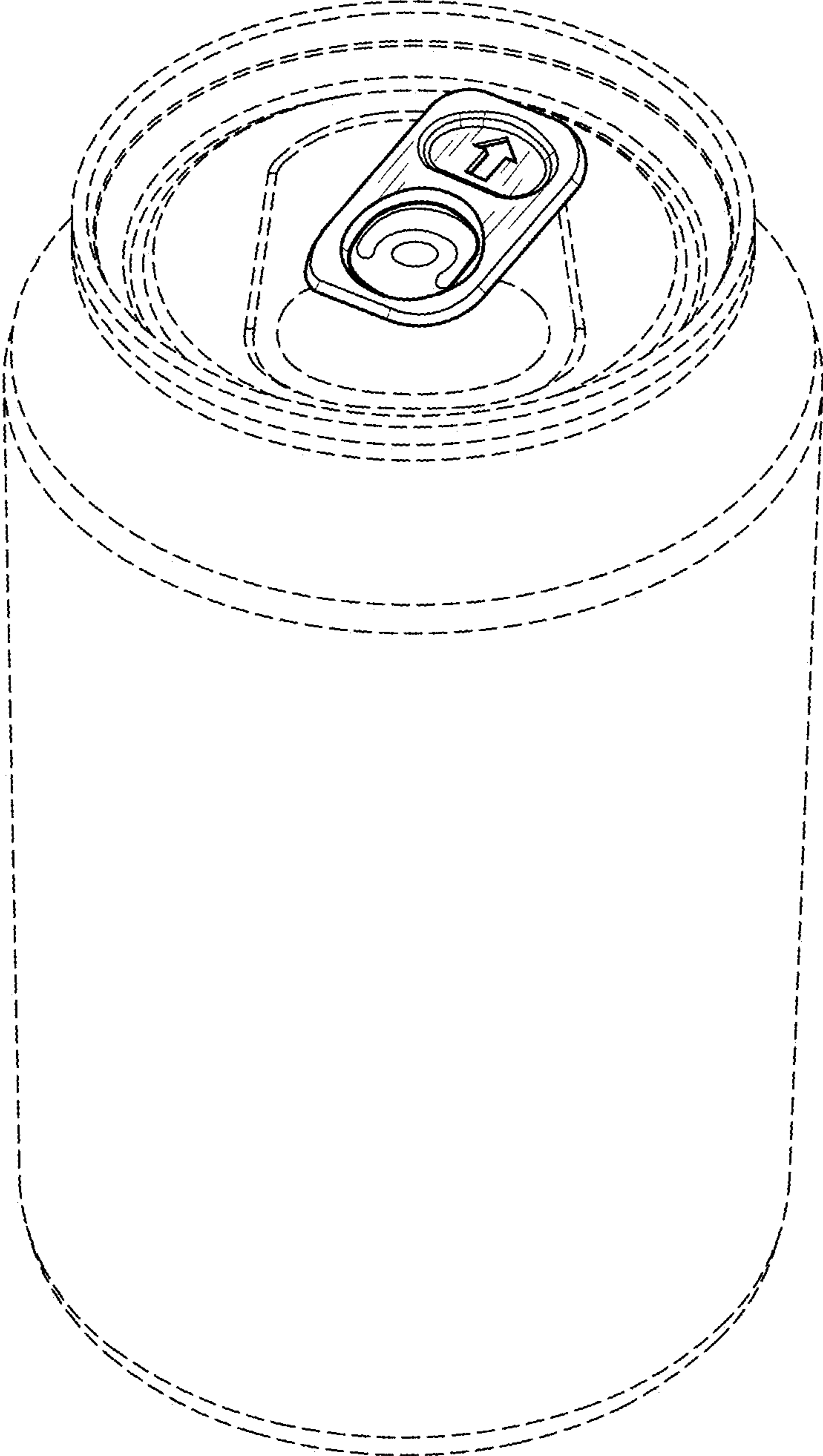


FIG. 4

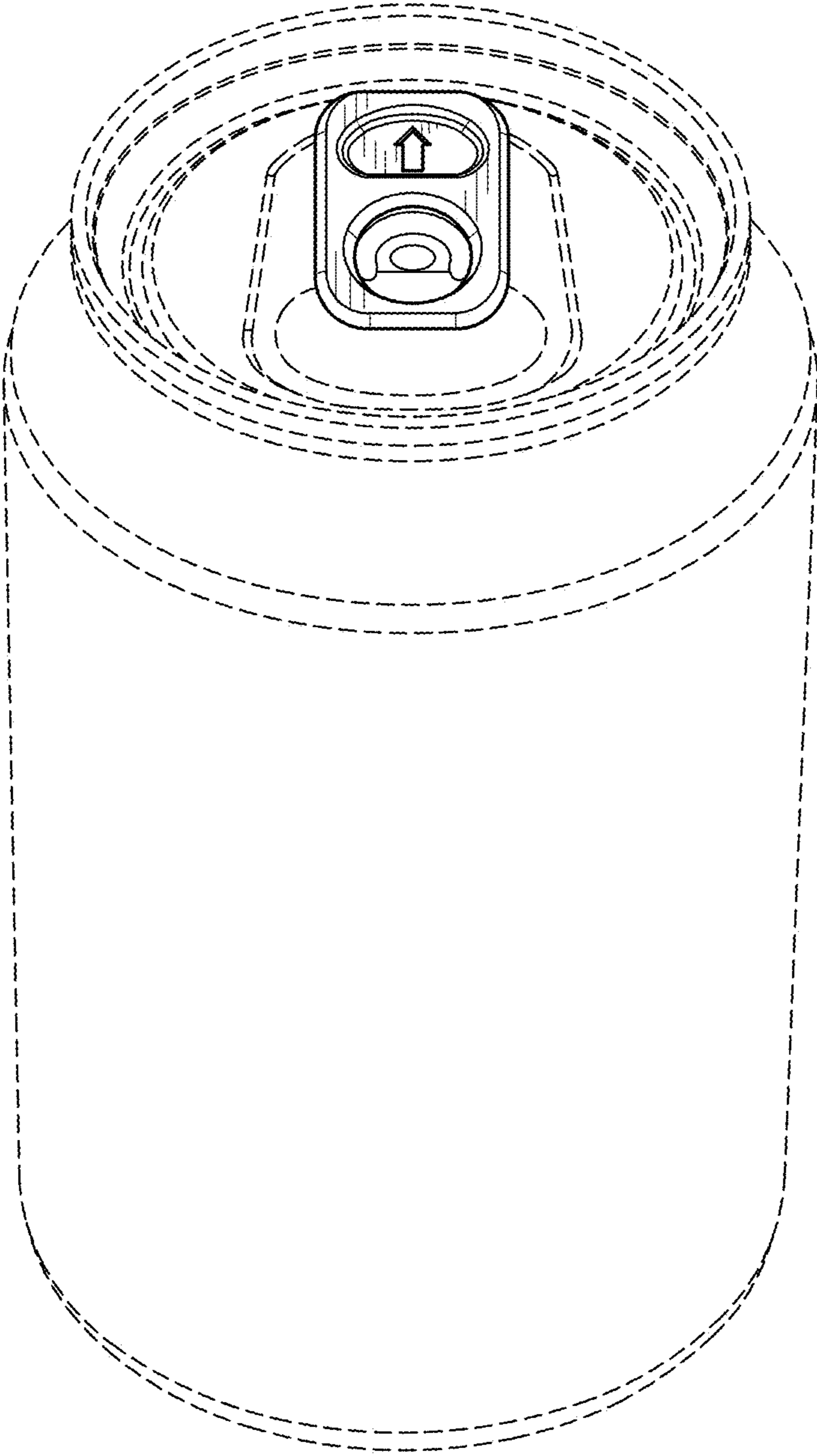


FIG. 5