



US00D696578S

(12) **United States Design Patent**  
**Takahashi**

(10) **Patent No.:** **US D696,578 S**  
(45) **Date of Patent:** **\*\* Dec. 31, 2013**

- (54) **SELF-PIERCING CLINCH NUT**
- (71) Applicant: **Topre Corporation**, Tokyo (JP)
- (72) Inventor: **Takao Takahashi**, Kanagawa (JP)
- (73) Assignee: **Topre Corporation**, Tokyo (JP)
- (\*\*) Term: **14 Years**
- (21) Appl. No.: **29/452,891**
- (22) Filed: **Apr. 23, 2013**

D263,792	S	*	4/1982	Frieberg	.....	D8/399
D269,852	S	*	7/1983	Frieberg	.....	D8/399
D273,562	S	*	4/1984	Frieberg	.....	D8/399
D276,310	S	*	11/1984	Frieberg	.....	D8/399
D311,131	S	*	10/1990	Saito	.....	D8/397
5,011,351	A	*	4/1991	Terry	.....	411/144
5,549,430	A	*	8/1996	Takahashi et al.	.....	411/179
D397,320	S	*	8/1998	Hoagland, IV	.....	D12/197
D440,865	S	*	4/2001	Pamer et al.	.....	D8/397
6,220,804	B1	*	4/2001	Pamer et al.	.....	411/180
D452,428	S	*	12/2001	Shinjo et al.	.....	D8/397
D454,057	S	*	3/2002	Pamer et al.	.....	D8/397
D457,054	S	*	5/2002	Pamer et al.	.....	D8/397
7,001,125	B2	*	2/2006	Wojciechowski et al.	....	411/180
D524,149	S	*	7/2006	Kim	.....	D8/397
D568,149	S	*	5/2008	Riedel	.....	D8/397

(Continued)

(30) **Foreign Application Priority Data**

Oct. 25, 2012 (JP) ..... 2012-025939

- (51) **LOC (9) Cl.** ..... **08-08**
- (52) **U.S. Cl.**  
USPC ..... **D8/397**
- (58) **Field of Classification Search**  
USPC ..... D8/397, 394, 382, 399, 356, 354, 349;  
D15/140; 16/2.1; 220/575; 206/521.15;  
24/302, 16 R, 306; 439/501, 578;  
381/374; D14/217, 205; 411/302, 427,  
411/429, 432, 918, 179, 180; D13/151, 133  
See application file for complete search history.

(56) **References Cited**

**U.S. PATENT DOCUMENTS**

D26,801	S	*	3/1897	Spear	.....	D8/399
D32,218	S	*	2/1900	Dougherty	.....	D8/399
D32,492	S	*	4/1900	Dickason	.....	D8/399
D43,713	S	*	3/1913	Campbell	.....	D8/397
2,001,956	A	*	5/1935	England	.....	470/42
2,037,586	A	*	4/1936	Olson	.....	411/188
D140,317	S	*	2/1945	Allen	.....	D8/397
D233,138	S	*	10/1974	Vogel	.....	D9/453
4,134,438	A	*	1/1979	Frieberg et al.	.....	411/163
D263,679	S	*	4/1982	Frieberg	.....	D8/399
D263,791	S	*	4/1982	Frieberg	.....	D8/399

**FOREIGN PATENT DOCUMENTS**

JP 07238915 9/1995

*Primary Examiner* — Cynthia Underwood

(74) *Attorney, Agent, or Firm* — Kilpatrick Townsend & Stockton LLP

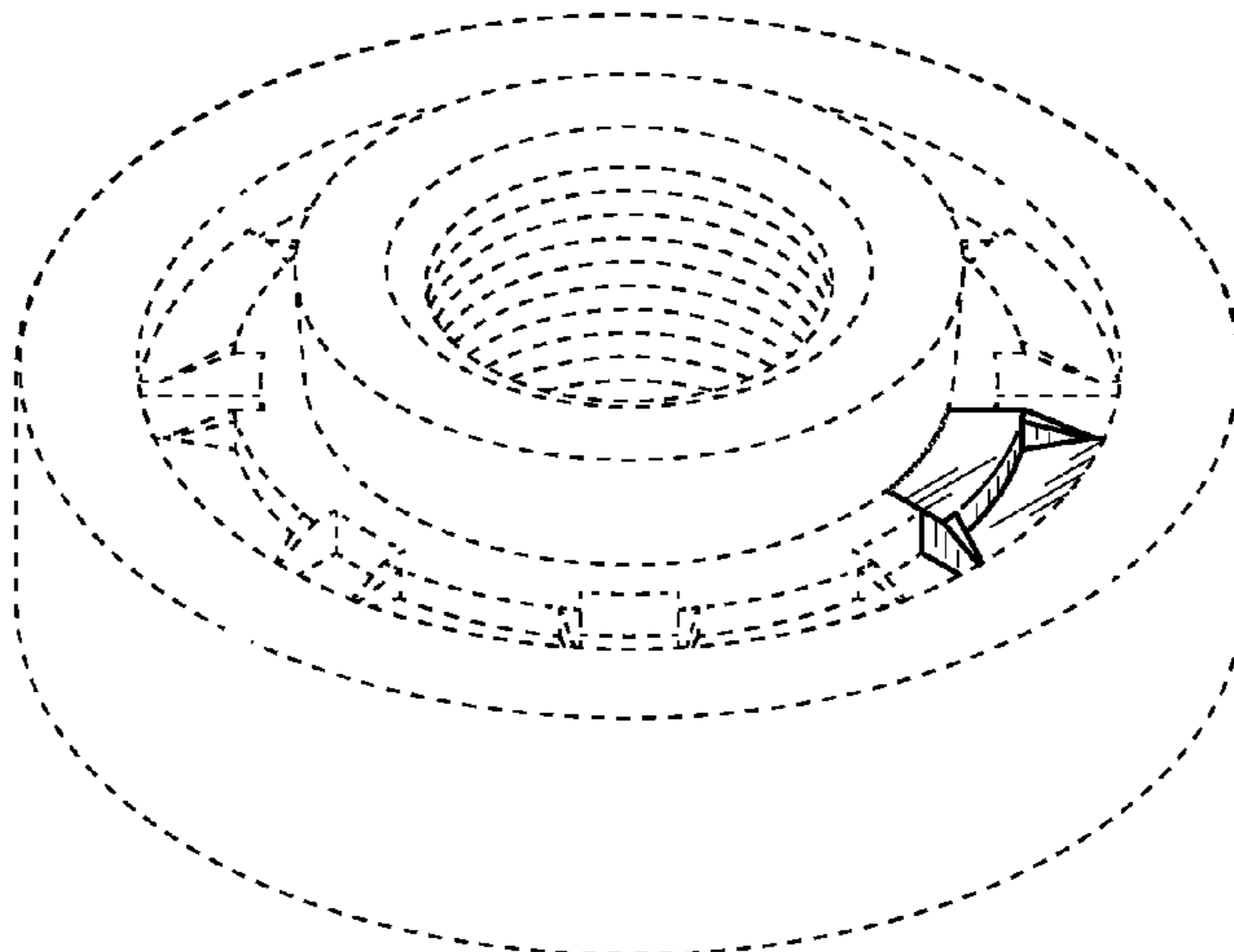
(57) **CLAIM**

The ornamental design for a self-piercing clinch nut, as shown and described.

**DESCRIPTION**

FIG. 1 is a perspective view of a self-piercing clinch nut in accordance with the present design;  
 FIG. 2 is a front view thereof;  
 FIG. 3 is a rear view thereof;  
 FIG. 4 is a right side view thereof, the left side view being a mirror image of the right side view; and,  
 FIG. 5 is a top plan view thereof, the bottom plan view being a mirror image of the top plan view.  
 The broken lines are included for the purpose of illustrating environment and form no part of the claimed design.

**1 Claim, 3 Drawing Sheets**



# US D696,578 S

Page 2

---

(56)

## References Cited

### U.S. PATENT DOCUMENTS

D582,763 S \* 12/2008 Riedel et al. .... D8/397  
7,591,623 B2 \* 9/2009 Parker ..... 411/180  
D602,349 S \* 10/2009 Andersson ..... D8/399  
7,597,515 B2 \* 10/2009 Ward et al. .... 411/180

D613,596 S \* 4/2010 Mangapora ..... D8/397  
D668,919 S \* 10/2012 Teng ..... D7/693  
D684,455 S \* 6/2013 Relyea et al. .... D8/397  
2002/0136617 A1 \* 9/2002 Imahigashi ..... 411/533  
2004/0042872 A1 \* 3/2004 Ward et al. .... 411/181

\* cited by examiner

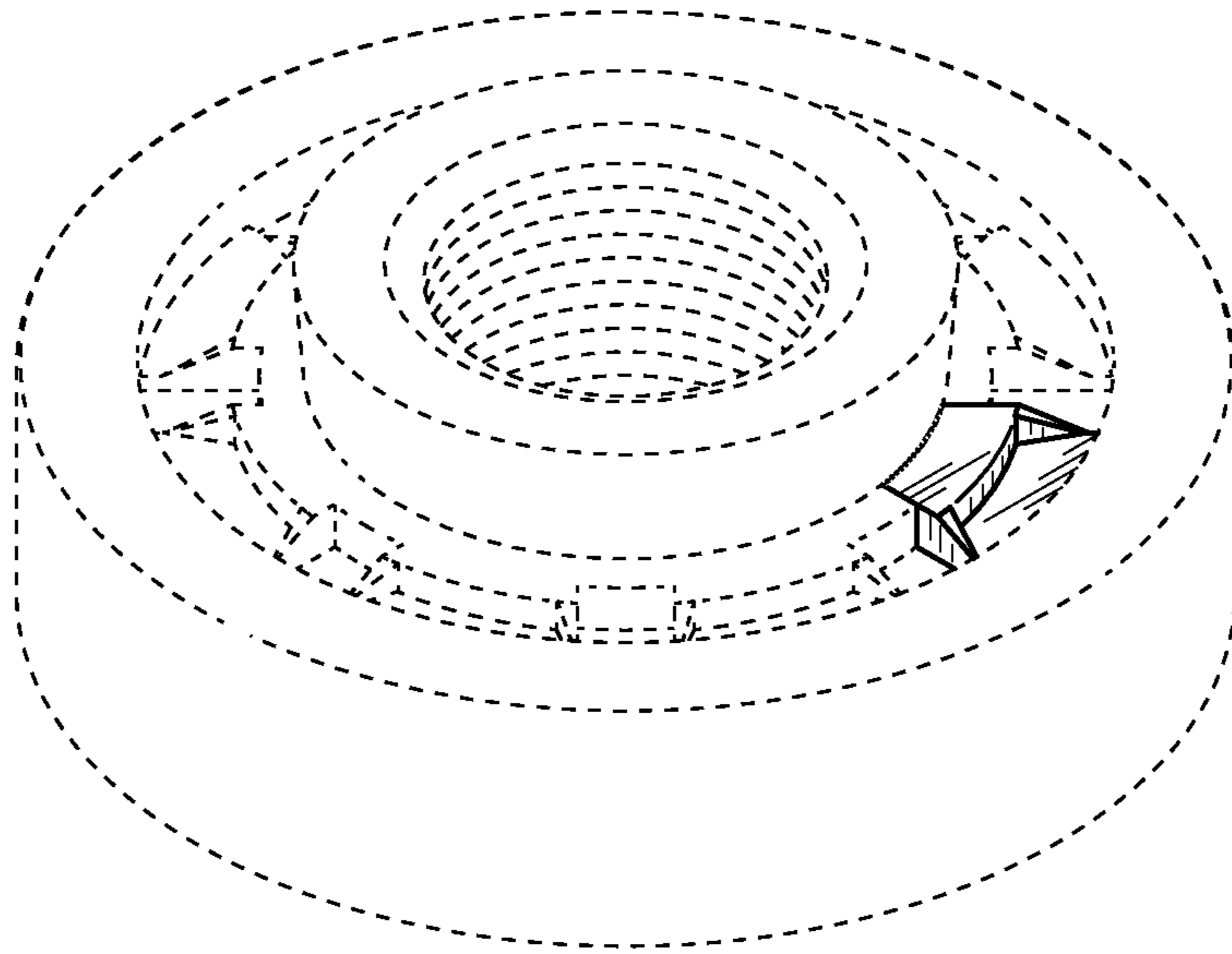


FIG. 1

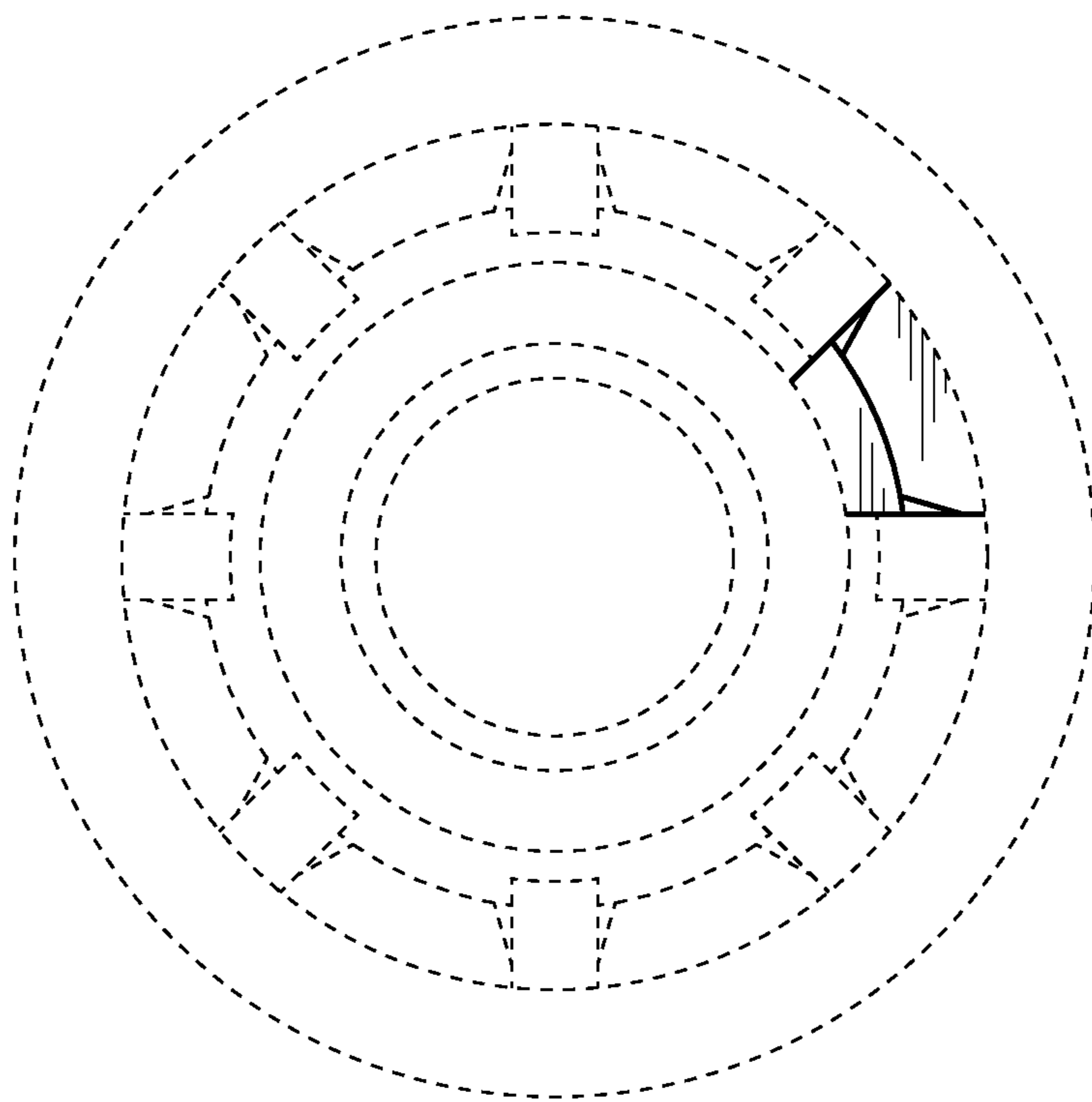


FIG. 2

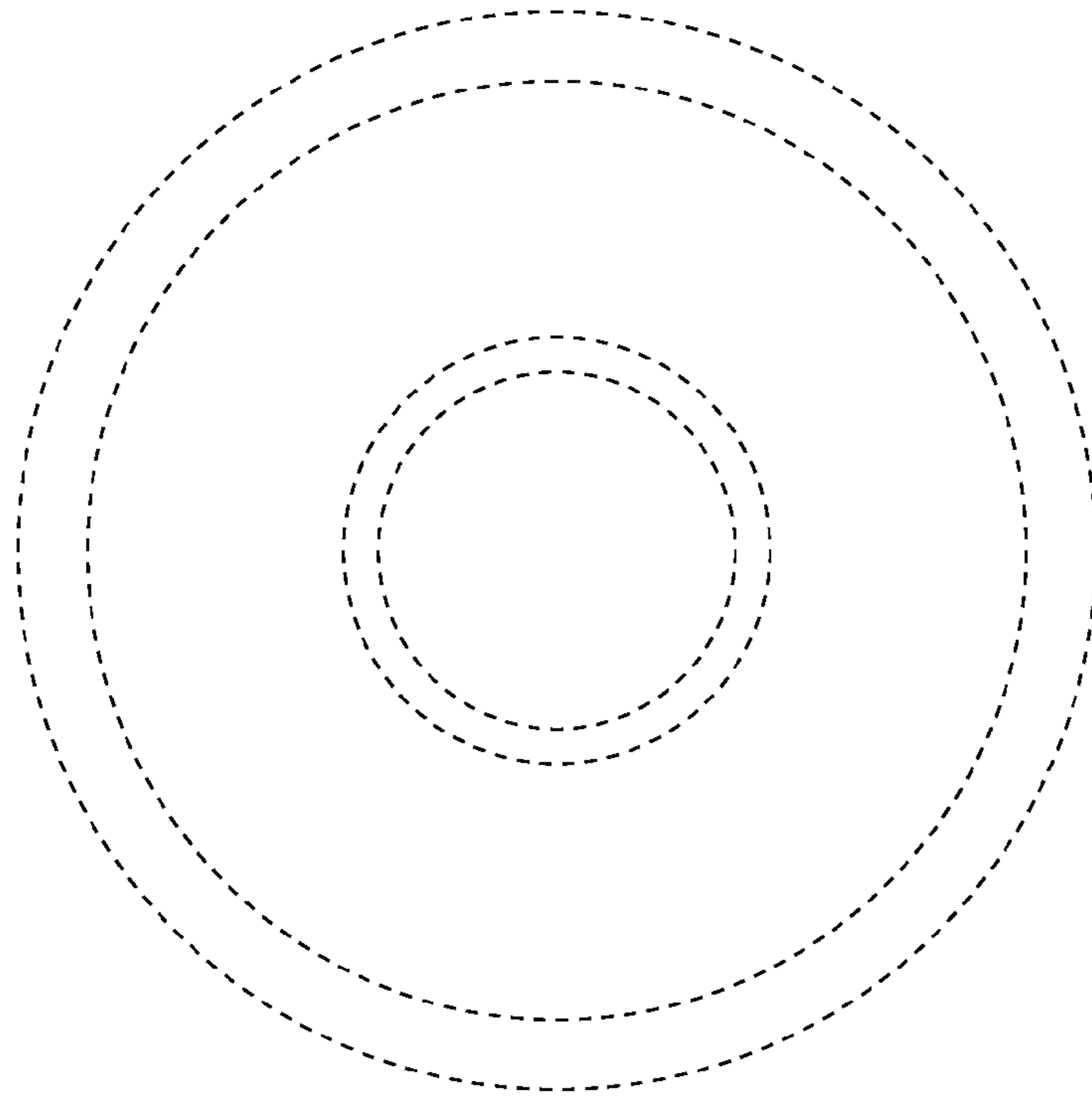


FIG. 3

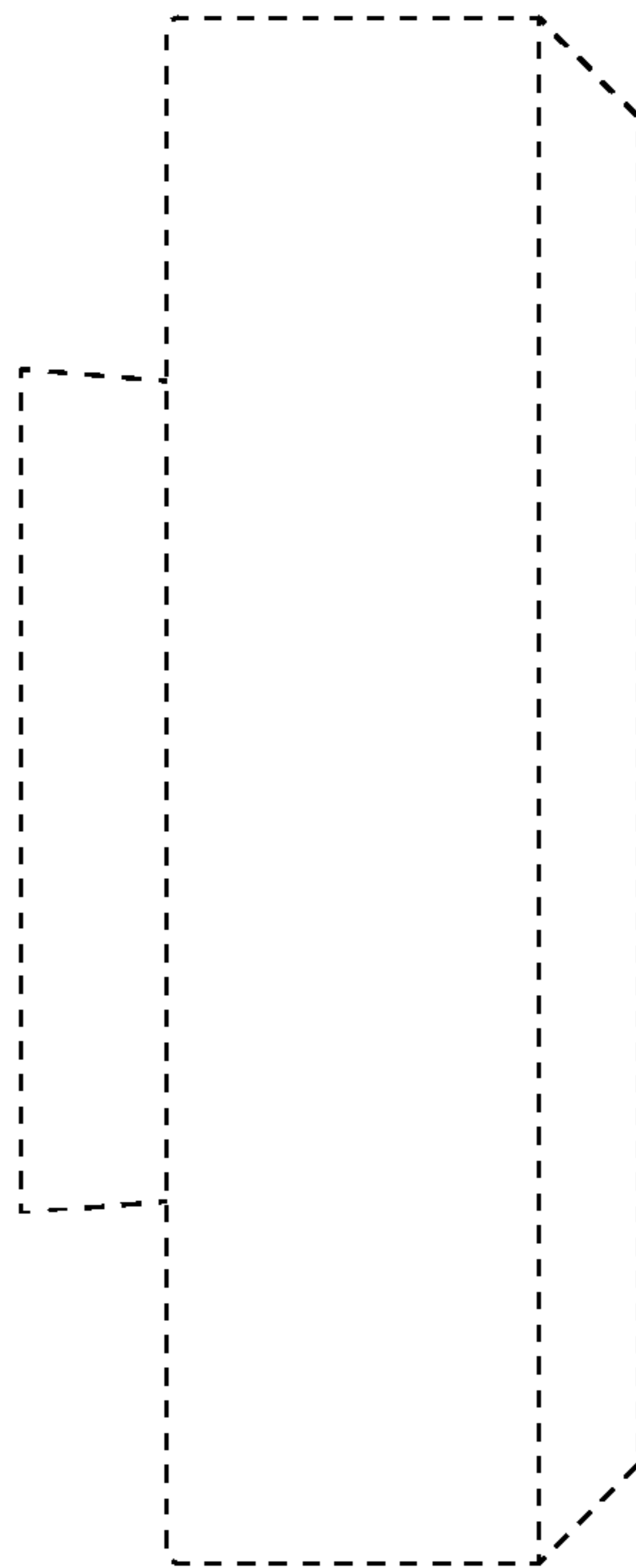


FIG. 4

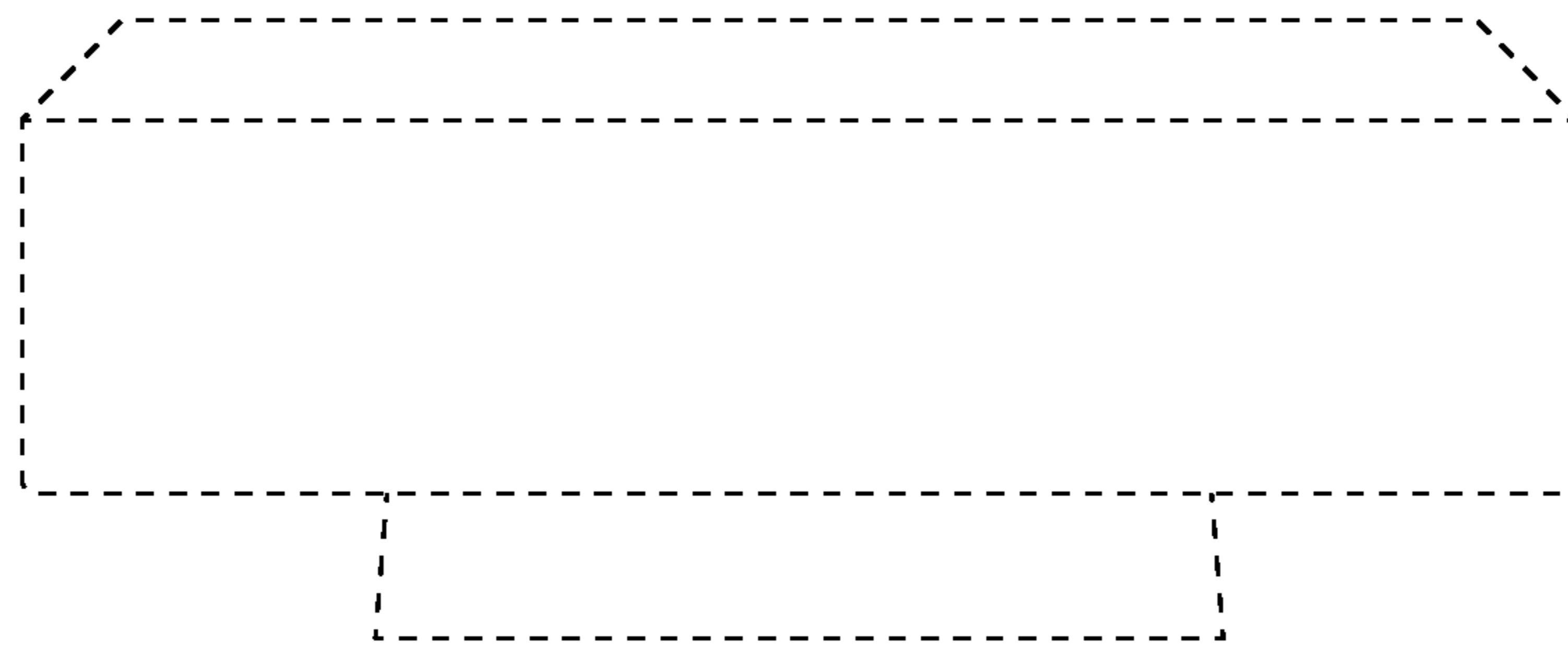


FIG. 5