



US00D696575S

(12) **United States Design Patent**
Heindl

(10) **Patent No.:** **US D696,575 S**

(45) **Date of Patent:** **** Dec. 31, 2013**

(54) **SHEET PILE CONNECTOR**

(76) Inventor: **Richard Heindl**, Siegsdorf (DE)

(**) Term: **14 Years**

(21) Appl. No.: **29/408,063**

(22) Filed: **Dec. 6, 2011**

(30) **Foreign Application Priority Data**

Jun. 7, 2011 (EM) 001873860

(51) **LOC (9) Cl.** **08-08**

(52) **U.S. Cl.**
USPC **D8/382**

(58) **Field of Classification Search**

USPC D8/382, 349, 394; D25/119, 61;
405/279, 278; 24/573.09, 346, 370;
D1/100, 109, 126, 119, 121

See application file for complete search history.

(56) **References Cited**

U.S. PATENT DOCUMENTS

- 4,379,704 A * 4/1983 Rademacher 441/88
- D292,446 S * 10/1987 Gilbert D3/238
- D294,748 S * 3/1988 Dobelle D30/109
- D310,586 S * 9/1990 Dobelle D30/109
- D311,610 S * 10/1990 Dobelle D30/109
- D401,761 S * 12/1998 Sandmann et al. D3/238
- D442,714 S * 5/2001 Warden D26/38
- D476,808 S * 7/2003 Carr D3/271.2
- D479,564 S * 9/2003 Carr D21/376
- D481,867 S * 11/2003 Hotz D3/271.2
- D495,540 S * 9/2004 Lipsztein D6/511
- D512,539 S * 12/2005 Brunes et al. D30/130
- D521,782 S * 5/2006 Edwards D6/518
- D523,591 S * 6/2006 Kreamer D30/160

- D529,279 S * 10/2006 Parks D3/203.3
- D539,486 S * 3/2007 Williams D30/111
- D549,829 S * 8/2007 Jodaikin et al. D24/180
- D550,996 S * 9/2007 Edwards D6/518
- D551,977 S * 10/2007 Daniels D9/456
- D552,803 S * 10/2007 White D30/133
- D603,132 S * 11/2009 Townsend et al. D1/109
- D603,579 S * 11/2009 Townsend et al. D1/109
- D606,279 S * 12/2009 Townsend et al. D1/109
- D619,444 S * 7/2010 Oyegoke D8/349
- D634,507 S * 3/2011 Lawrenson D1/106
- D638,591 S * 5/2011 Spurgeon D30/161
- 7,935,406 B2 * 5/2011 Heindl 428/99
- D641,248 S * 7/2011 Steger et al. D9/607
- D644,430 S * 9/2011 Neeson D3/238
- D658,822 S * 5/2012 Viola D30/160
- D661,895 S * 6/2012 Kinnard D3/271.2
- D670,872 S * 11/2012 Woodzelle et al. D30/155
- D680,595 S * 4/2013 Riley D21/540
- D685,958 S * 7/2013 Wolfson D30/154

* cited by examiner

Primary Examiner — Sheryl Lane

(74) *Attorney, Agent, or Firm* — Novak Druce Connolly
Bove + Quigg LLP

(57) **CLAIM**

I claim the ornamental design for a sheet pile connector, as shown and described.

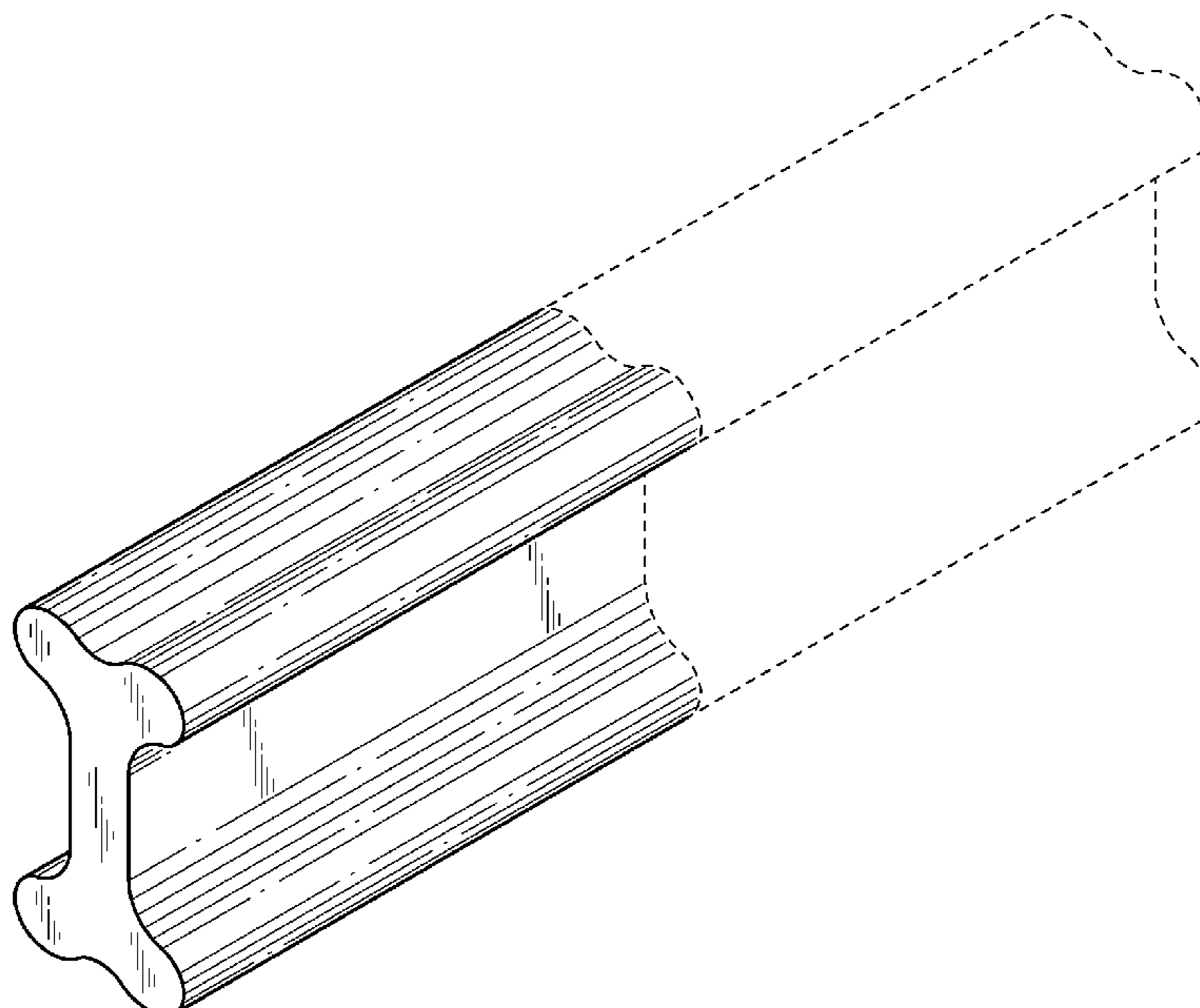
DESCRIPTION

FIG. 1 is a perspective view of a sheet pile connector; and, FIG. 2 is a front elevational view thereof.

The front and rear of the design are mirror images of one another, and so only the front elevational view is shown.

The broken line showing of connector is included for the purpose of illustrating portions of the article and forms no part of the claimed design.

1 Claim, 2 Drawing Sheets



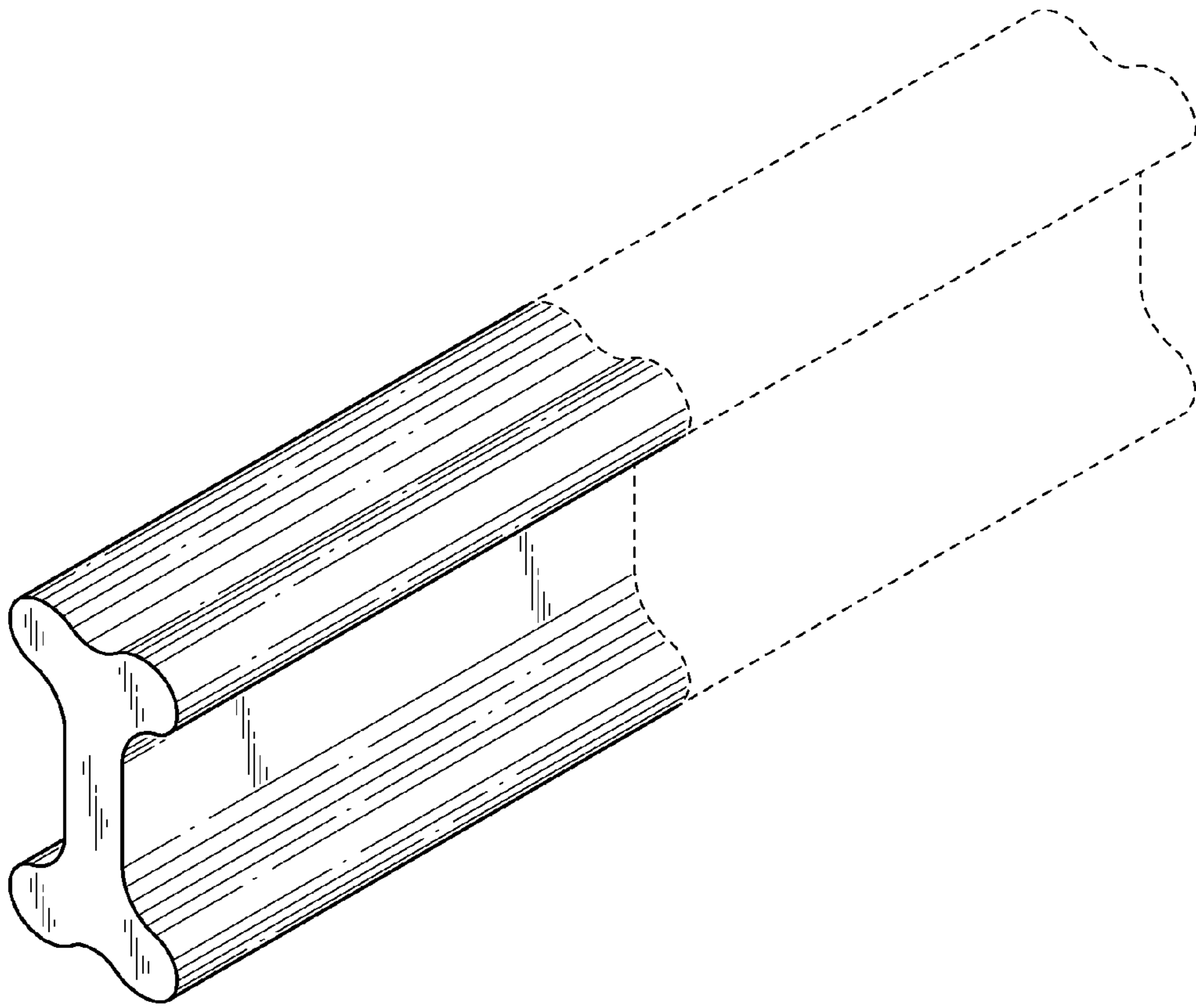


FIG. 1

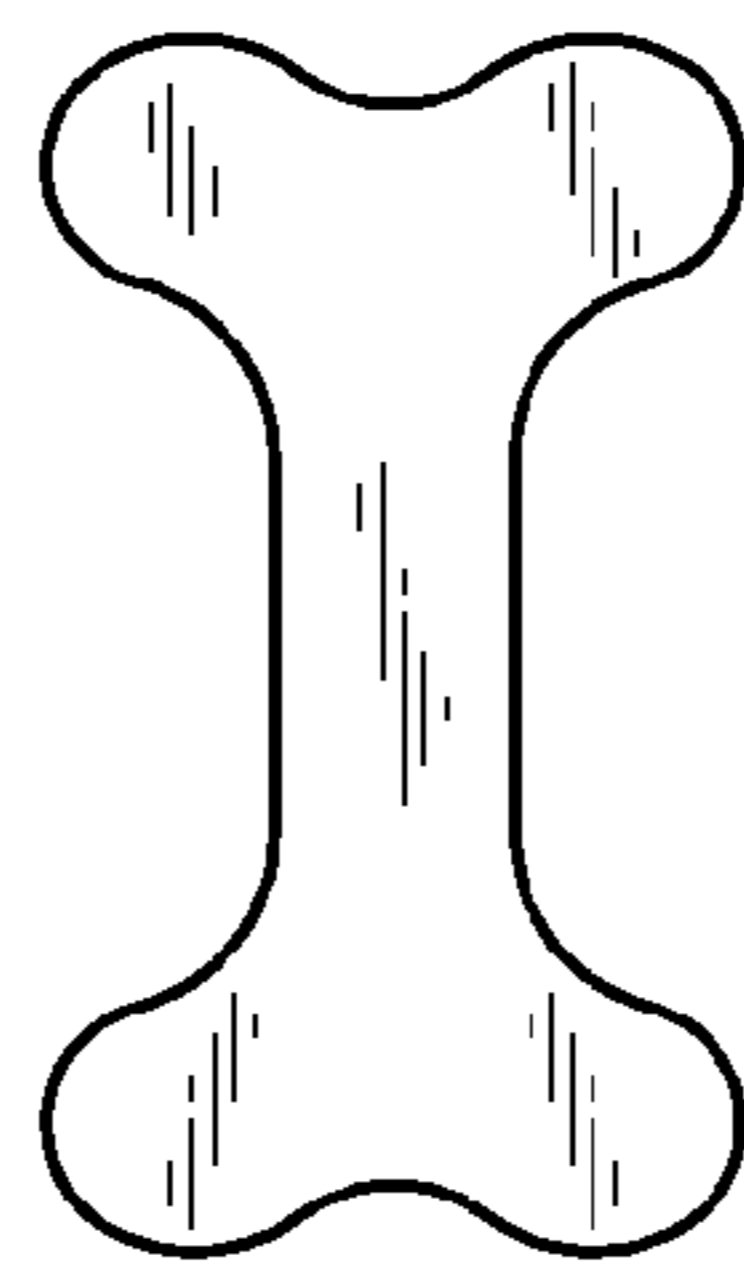


FIG. 2