



US00D696574S

(12) **United States Design Patent**
Caterinacci

(10) **Patent No.:** **US D696,574 S**

(45) **Date of Patent:** **** Dec. 31, 2013**

(54) **GONDOLA SLOT INSERT**

(75) Inventor: **John Caterinacci**, Hudson, OH (US)

(73) Assignee: **Fasteners For Retail, Inc.**, Twinsburg, OH (US)

(**) Term: **14 Years**

(21) Appl. No.: **29/404,164**

(22) Filed: **Oct. 17, 2011**

(51) **LOC (9) Cl.** **08-08**

(52) **U.S. Cl.**
USPC **D8/382**

(58) **Field of Classification Search**
USPC D8/382, 349, 354; 411/531, 61, 427
See application file for complete search history.

(56) **References Cited**

U.S. PATENT DOCUMENTS

2,946,612	A *	7/1960	Ahlgren	292/17
2,956,605	A *	10/1960	Rapata	411/531
2,984,698	A *	5/1961	Strauss	174/138 R
4,128,923	A *	12/1978	Bisbing	411/552
D270,516	S *	9/1983	Achille	D8/354
4,957,402	A *	9/1990	Klein et al.	411/84
6,164,885	A *	12/2000	Roytberg et al.	411/61
6,283,689	B1 *	9/2001	Roytberg et al.	411/61
D516,904	S *	3/2006	Kendrick	D8/395
D547,168	S *	7/2007	Churchill	D8/382
D583,650	S *	12/2008	Moerke	D8/356

7,572,089	B2 *	8/2009	Lowry et al.	411/55
D641,609	S *	7/2011	Yagame et al.	D8/354
D648,210	S *	11/2011	Reynoso	D8/382
D664,027	S *	7/2012	Vosika et al.	D8/382

OTHER PUBLICATIONS

FFR-DSI Yellow Pages 2010 Product Catalog, cover page and pp. 125 and 286.

* cited by examiner

Primary Examiner — Sheryl Lane

(74) *Attorney, Agent, or Firm* — Fay Sharpe LLP

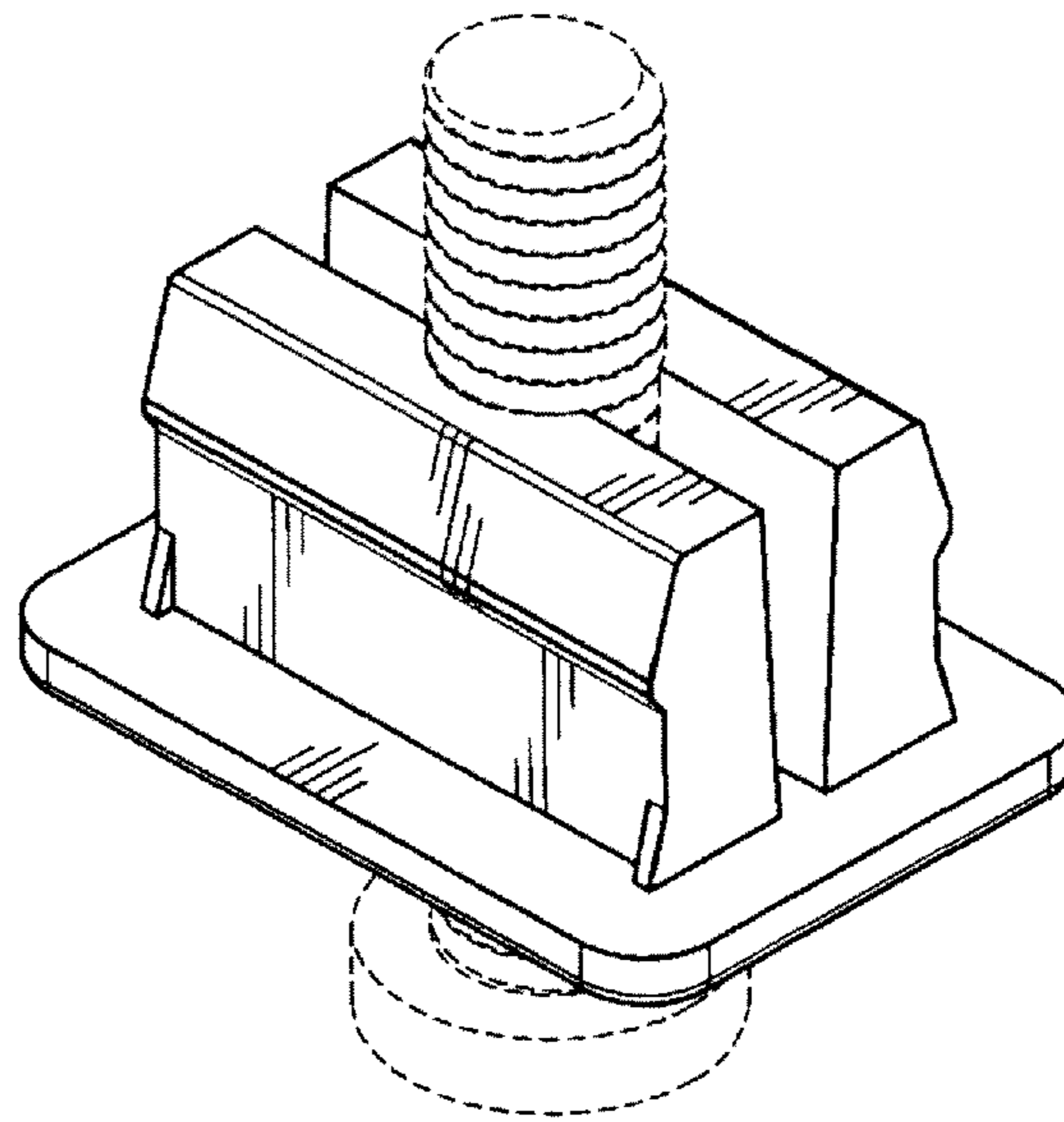
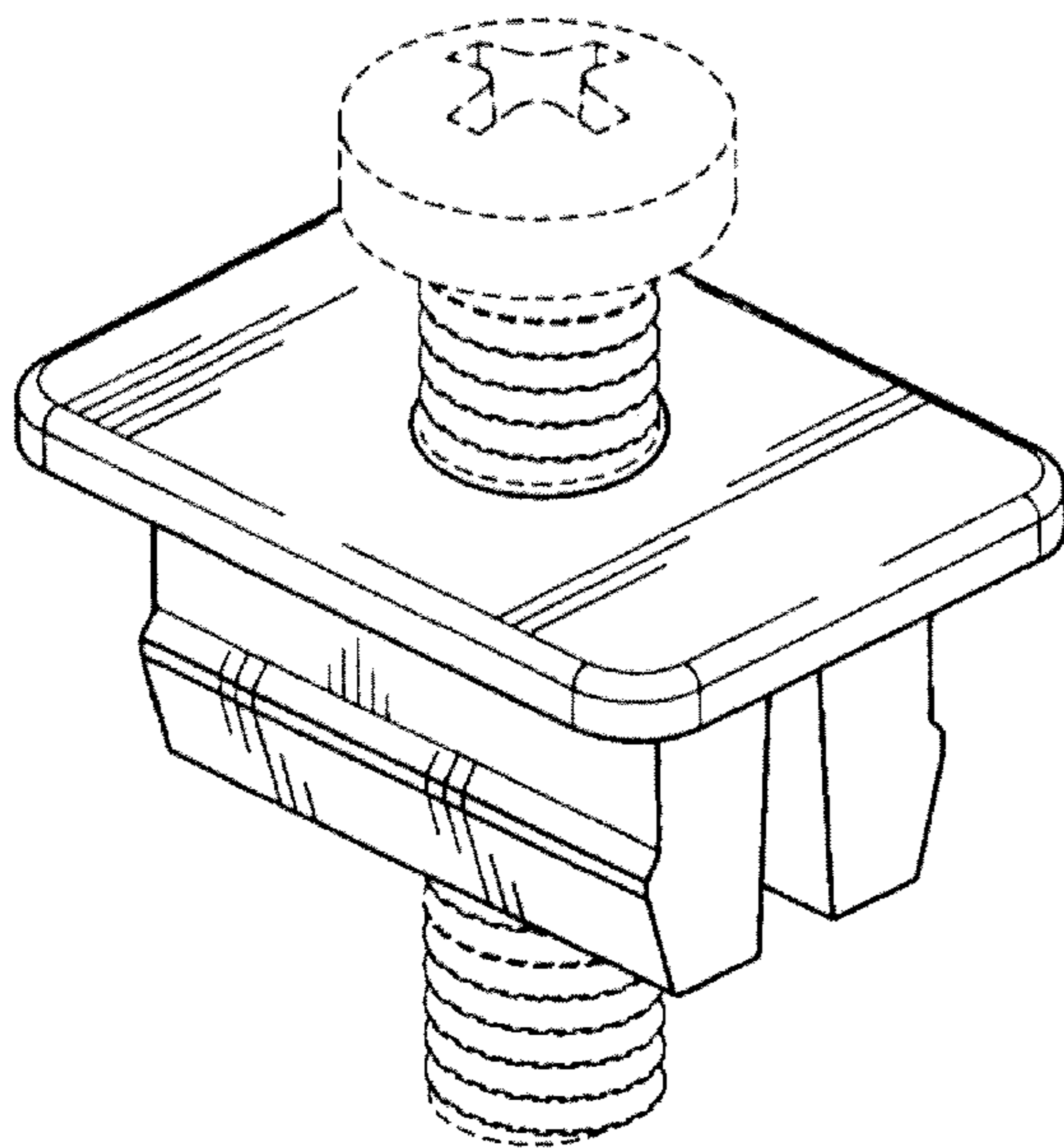
(57) **CLAIM**

The ornamental design for a gondola slot insert, as shown and described.

DESCRIPTION

FIG. 1 is a perspective view from the upper left of the gondola slot insert showing my new design; FIG. 2 is a perspective view from the bottom right thereof; FIG. 3 is a left side elevational view thereof, with a right side elevational view being a mirror image thereof; FIG. 4 is right end view thereof, with a left end view being a mirror image thereof; FIG. 5 is a top plan view thereof; and, FIG. 6 is bottom plan view thereof. The broken lines represent environment and form no part of the claimed design.

1 Claim, 2 Drawing Sheets



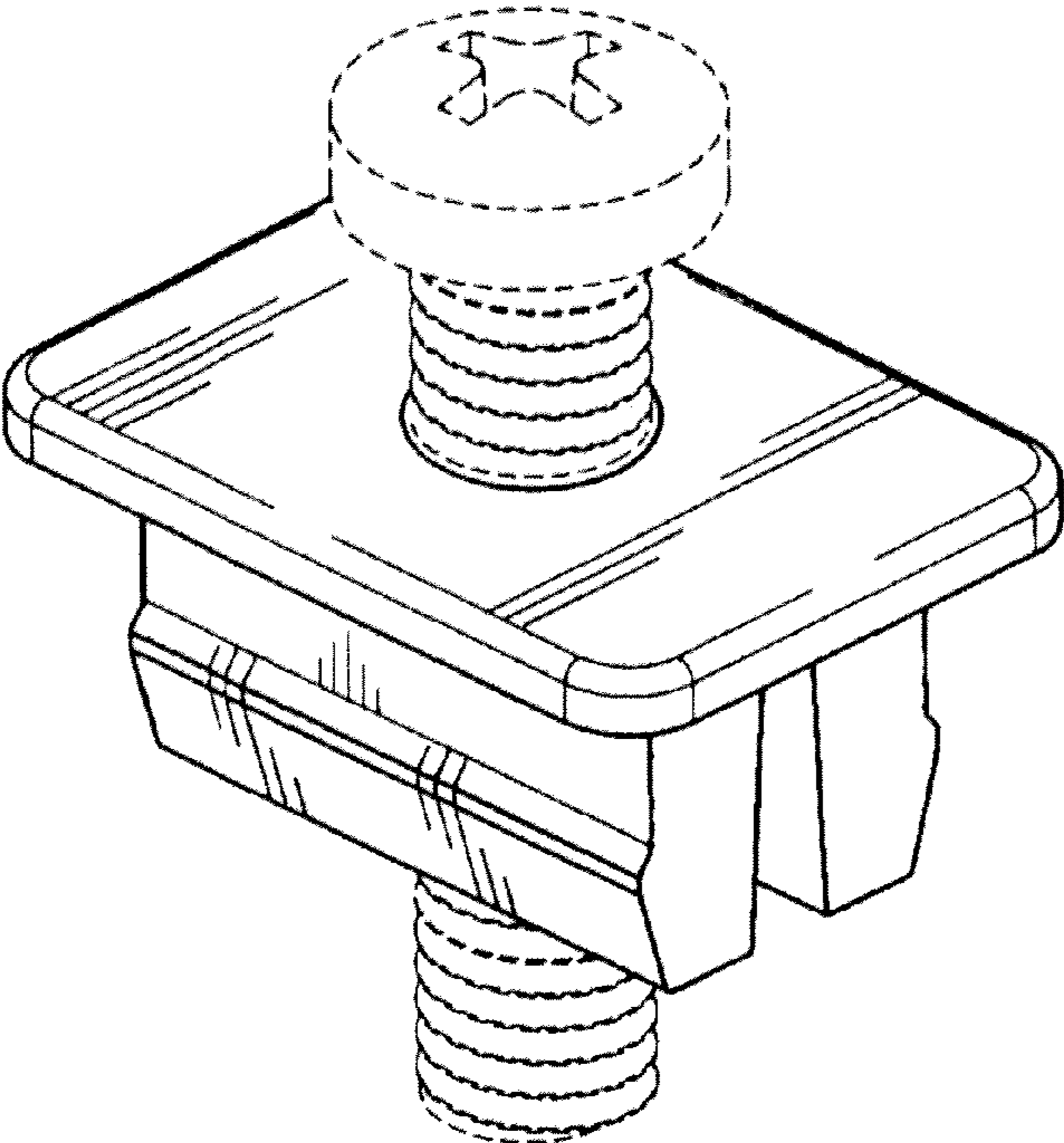


FIG. 1

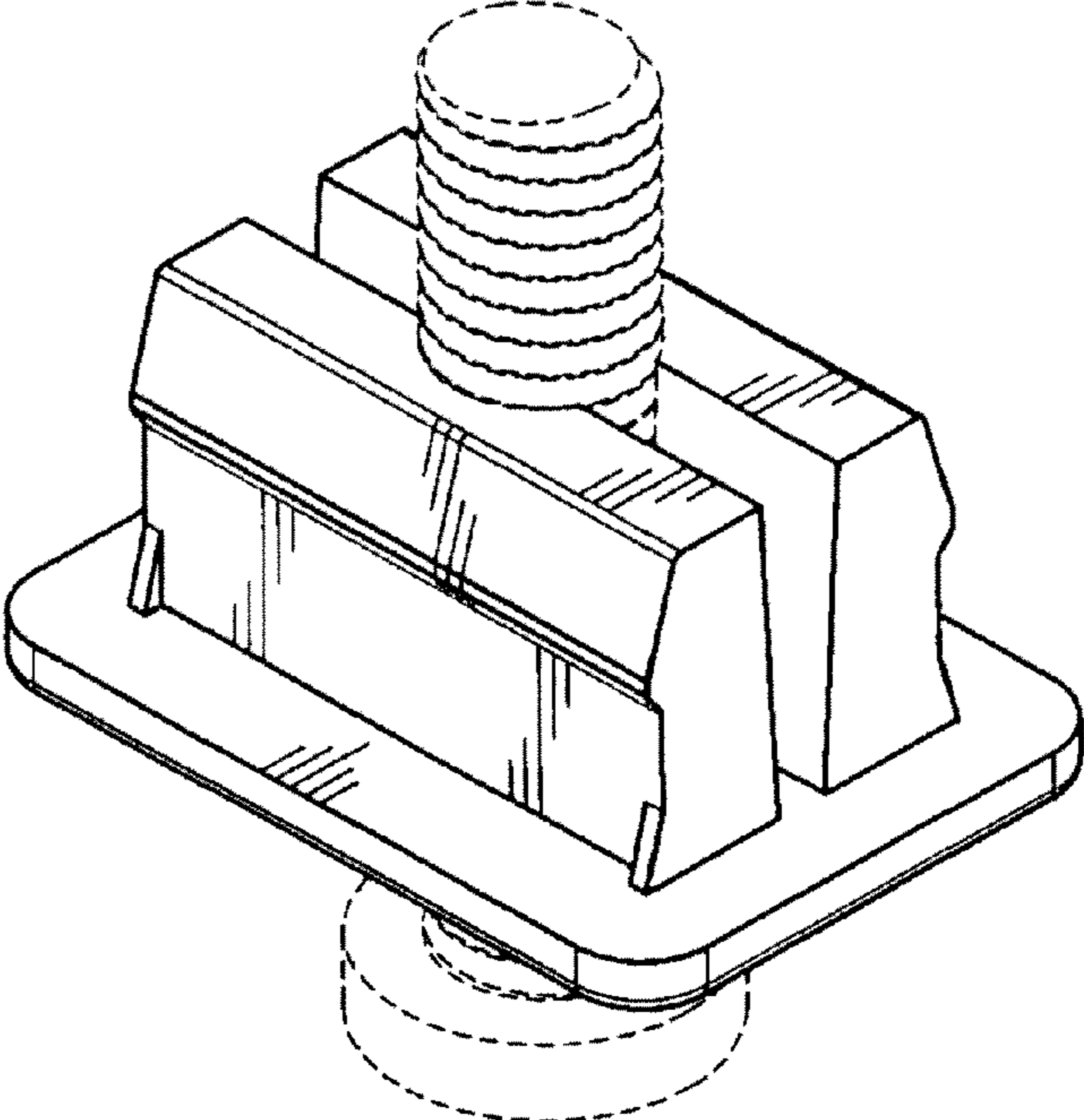


FIG. 2

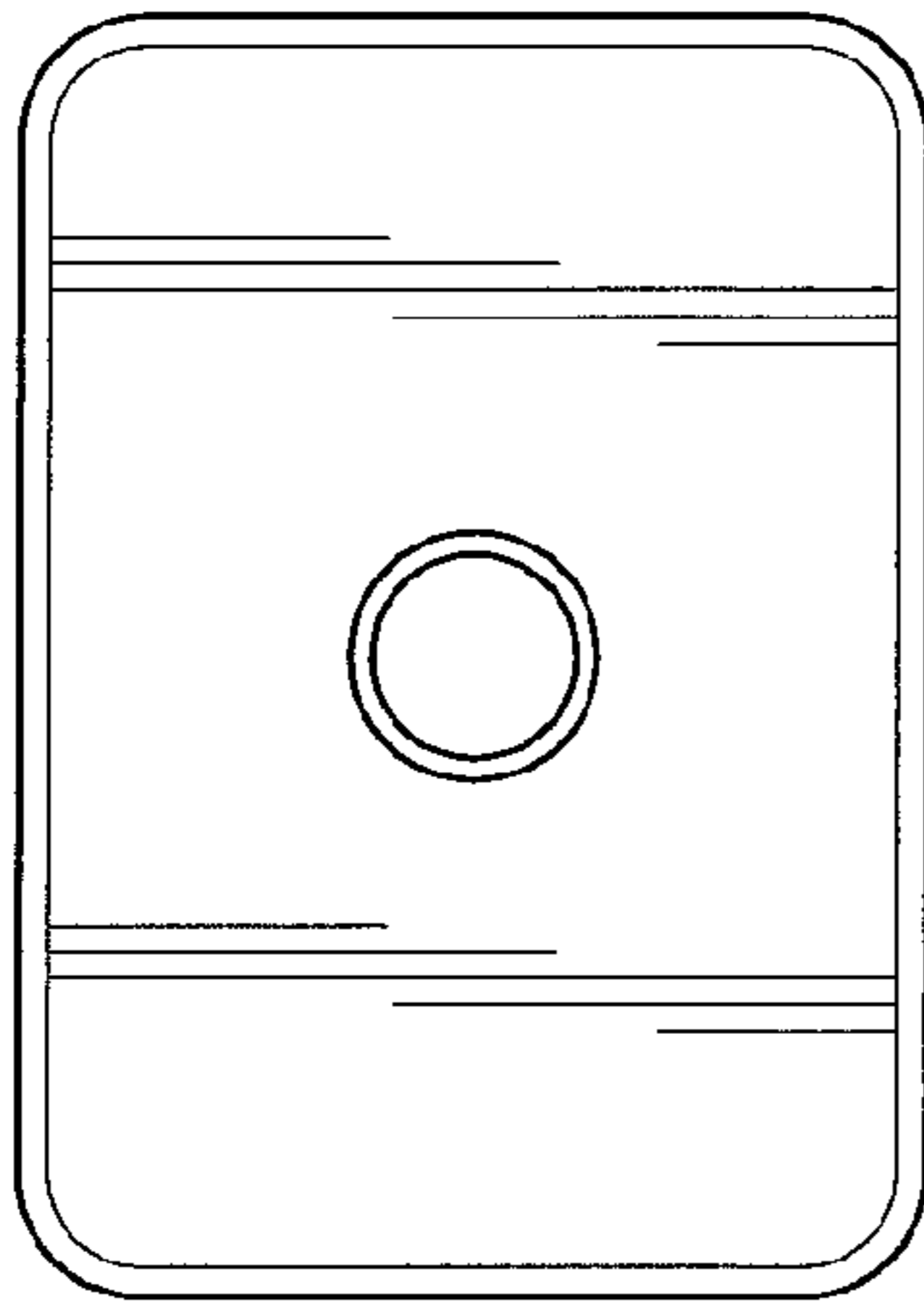


FIG. 5

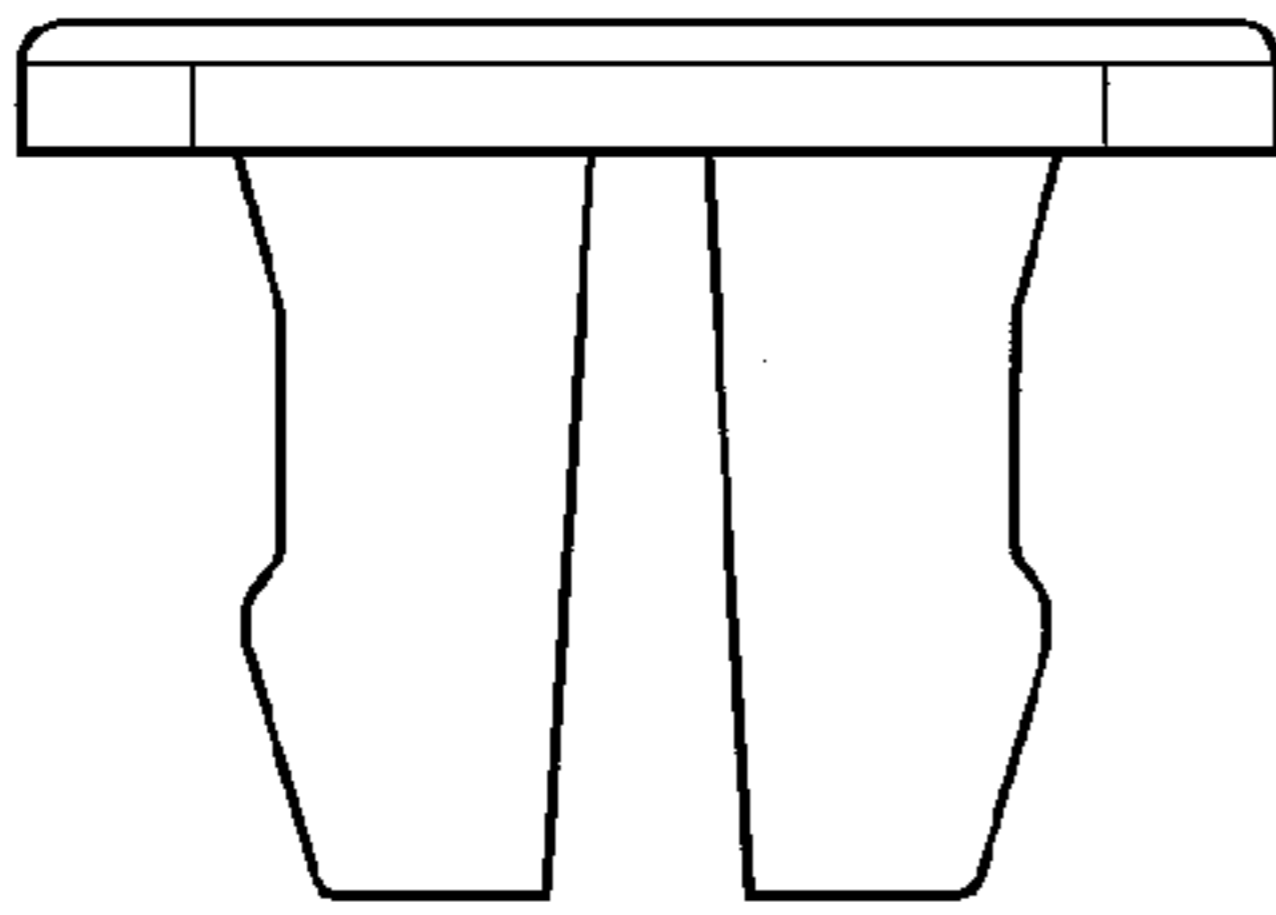


FIG. 4

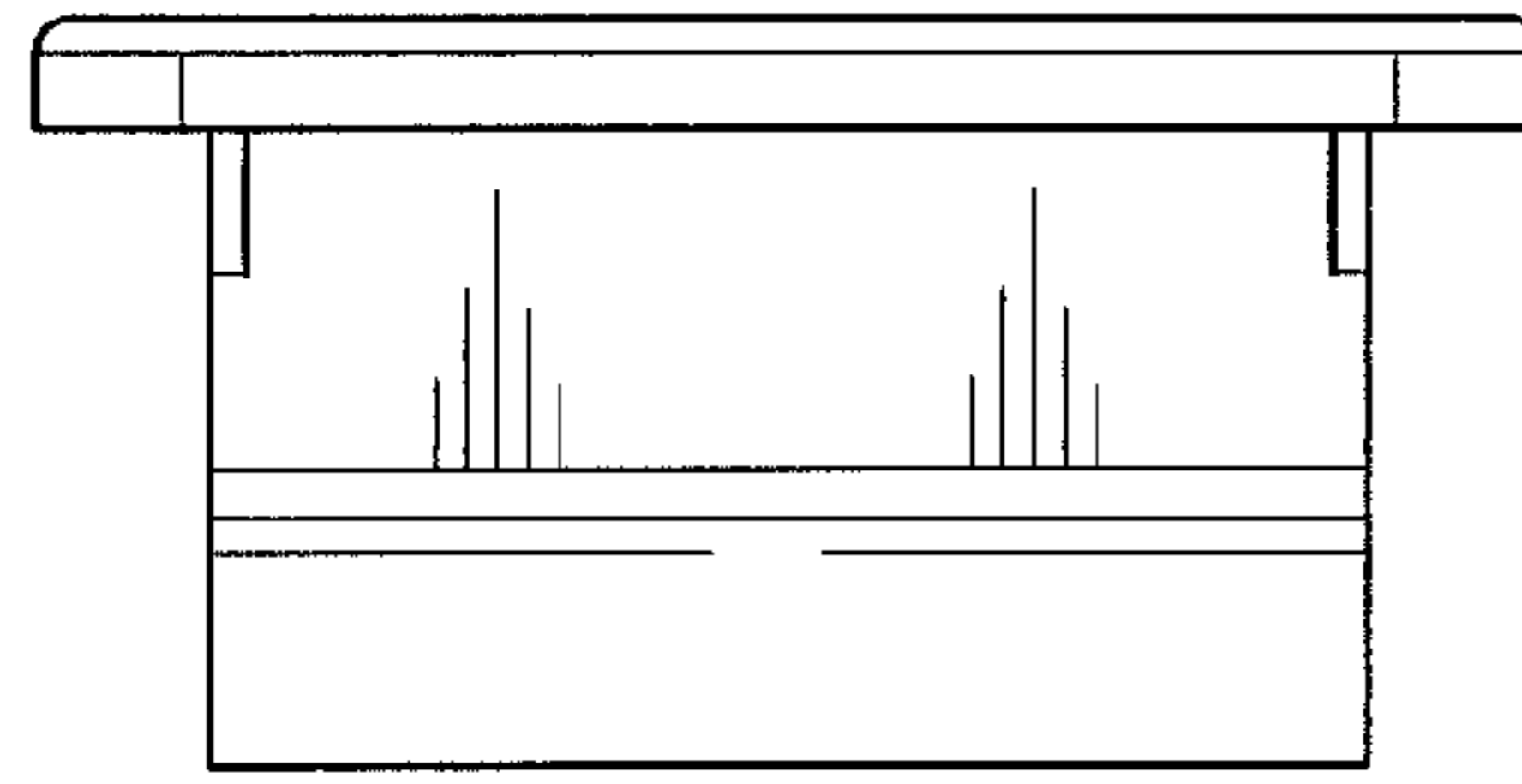


FIG. 3

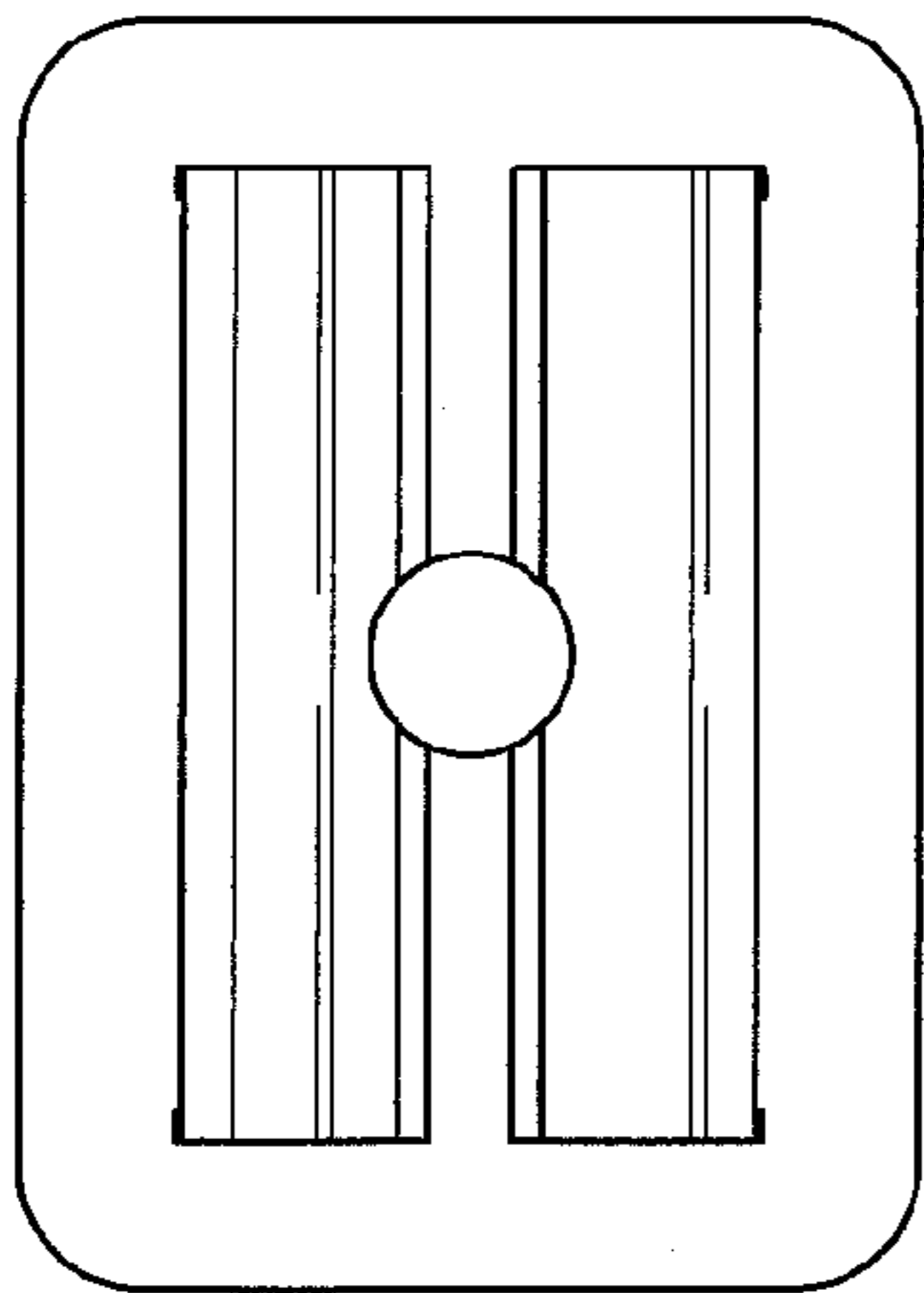


FIG. 6