



US00D696571S

(12) **United States Design Patent**
Lai et al.

(10) **Patent No.:** **US D696,571 S**

(45) **Date of Patent:** **** Dec. 31, 2013**

(54) **HANGER**

(71) Applicants: **Yung-Tsai Lai**, Taichung (TW);
Chen-Chieh Lin, Taichung (TW)

(72) Inventors: **Yung-Tsai Lai**, Taichung (TW);
Chen-Chieh Lin, Taichung (TW)

(**) Term: **14 Years**

(21) Appl. No.: **29/440,806**

(22) Filed: **Dec. 27, 2012**

(51) **LOC (9) Cl.** **08-05**

(52) **U.S. Cl.**
USPC **D8/367; D8/372**

(58) **Field of Classification Search**
USPC D8/367, 354, 349, 373, 372; D6/323;
248/301-304, 339, 205.3; D11/233,
D11/224, 219, 239, 158

See application file for complete search history.

(56) **References Cited**

U.S. PATENT DOCUMENTS

3,576,697	A	*	4/1971	Roberts	428/15
D237,734	S	*	11/1975	Roberts	D11/82
4,464,440	A	*	8/1984	Dotzman	428/542.4
D426,390	S	*	6/2000	Green et al.	D6/323
D430,791	S	*	9/2000	Henry et al.	D8/367

D489,248	S	*	5/2004	Hood	D8/367
D574,224	S	*	8/2008	Zhang	D8/372
D583,222	S	*	12/2008	Rota	D8/367
D647,390	S	*	10/2011	Goodman et al.	D8/372
D655,632	S	*	3/2012	van der Lande	D10/40
D666,081	S	*	8/2012	Barry	D8/367
D666,084	S	*	8/2012	Rojas et al.	D8/367
D671,822	S	*	12/2012	van der Lande	D8/395
D674,635	S	*	1/2013	van der Lande	D6/534
D684,449	S	*	6/2013	Frey	D8/71

* cited by examiner

Primary Examiner — Cynthia Underwood

(74) *Attorney, Agent, or Firm* — Whyte Hirschboeck Dudek S.C.

(57) **CLAIM**

The ornamental design for hanger, as shown and described.

DESCRIPTION

FIG. 1 is a perspective view of hanger showing our new design;

FIG. 2 is a front elevational view thereof;

FIG. 3 is a rear elevational view thereof;

FIG. 4 is a left side elevational view thereof;

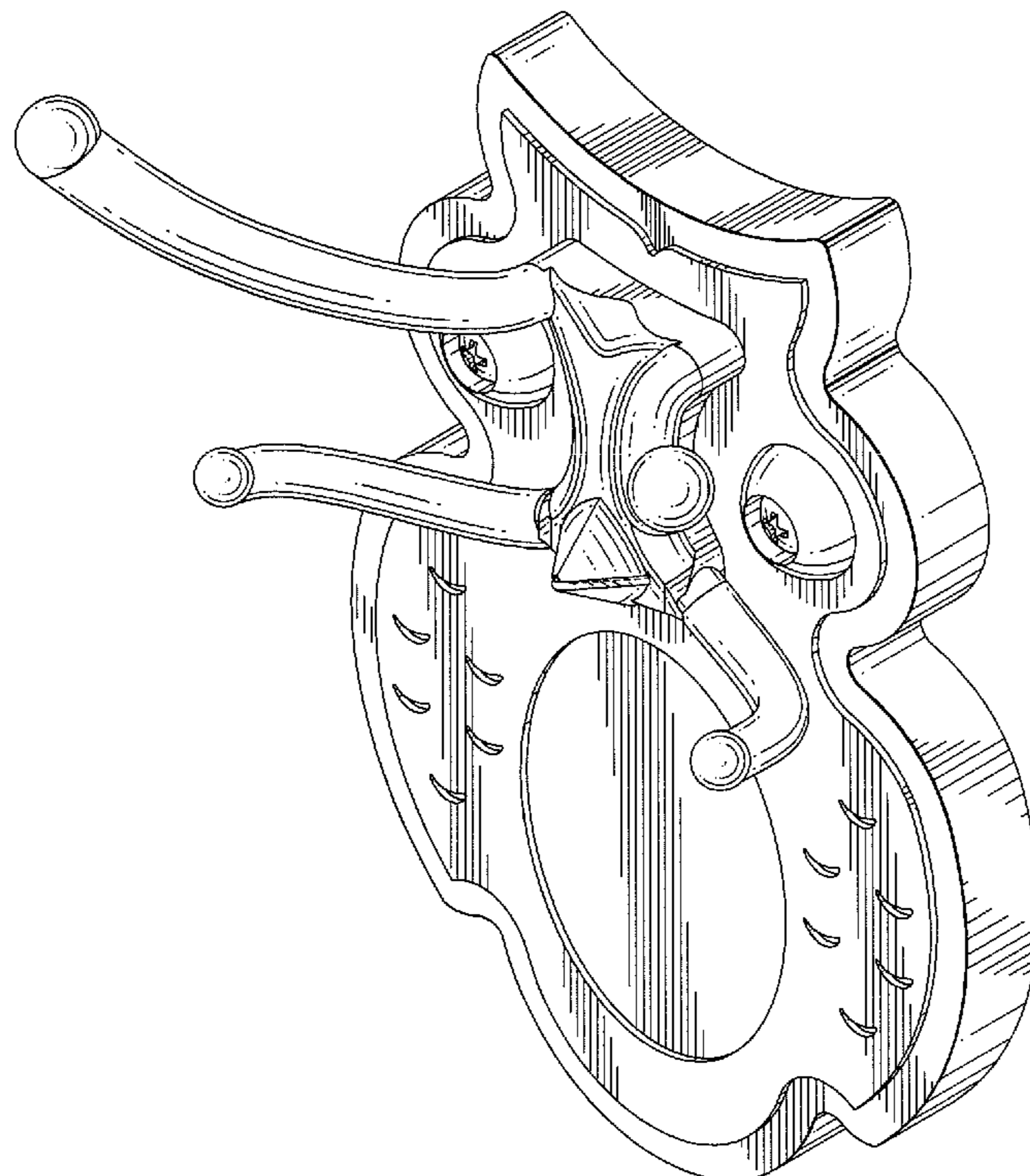
FIG. 5 is a right side elevational view thereof;

FIG. 6 is a top plan view thereof; and,

FIG. 7 is a bottom plan view thereof.

The broken lines are included for the illustrative purposes only and form no part of the claimed design.

1 Claim, 6 Drawing Sheets



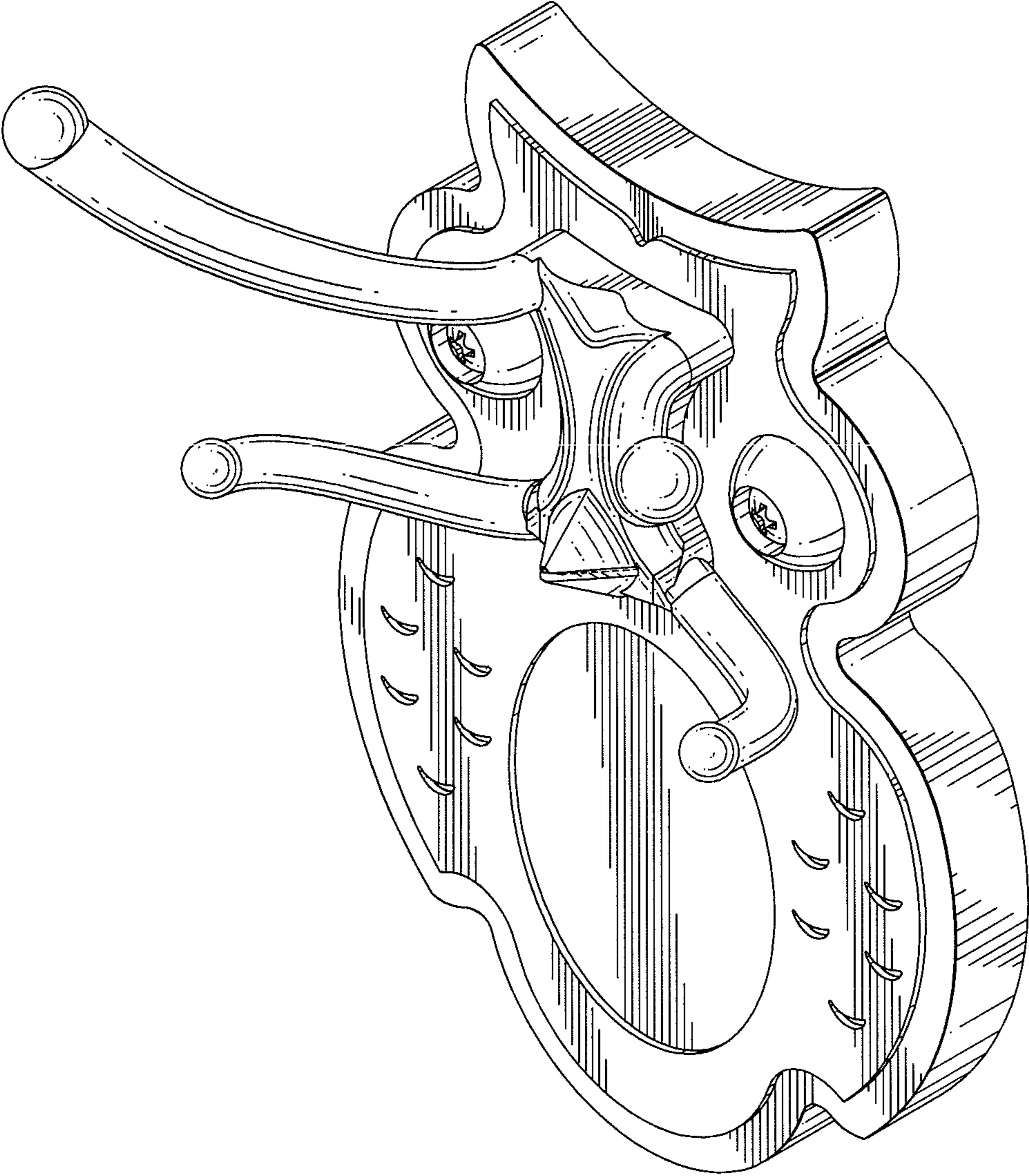


FIG. 1

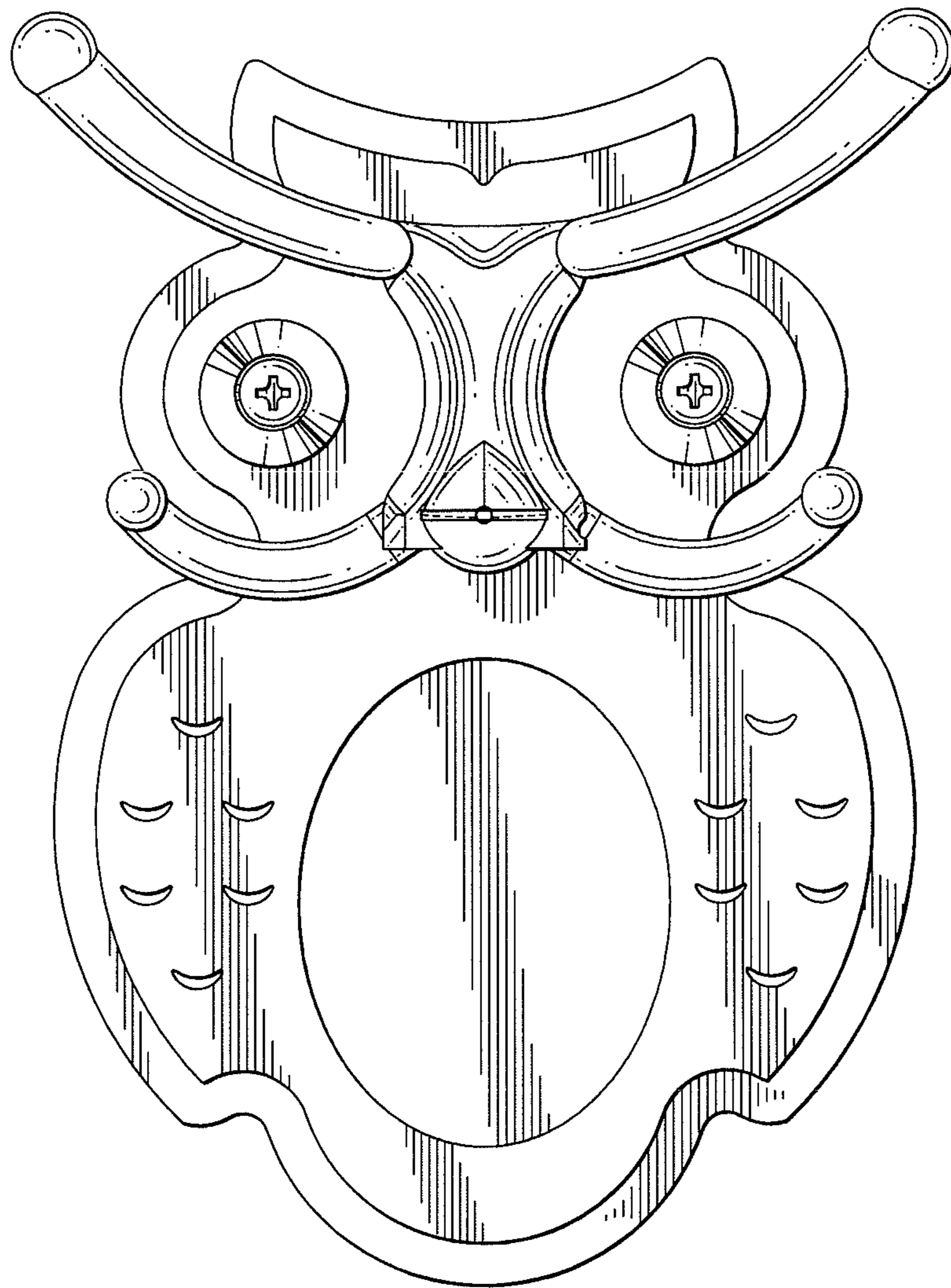


FIG. 2

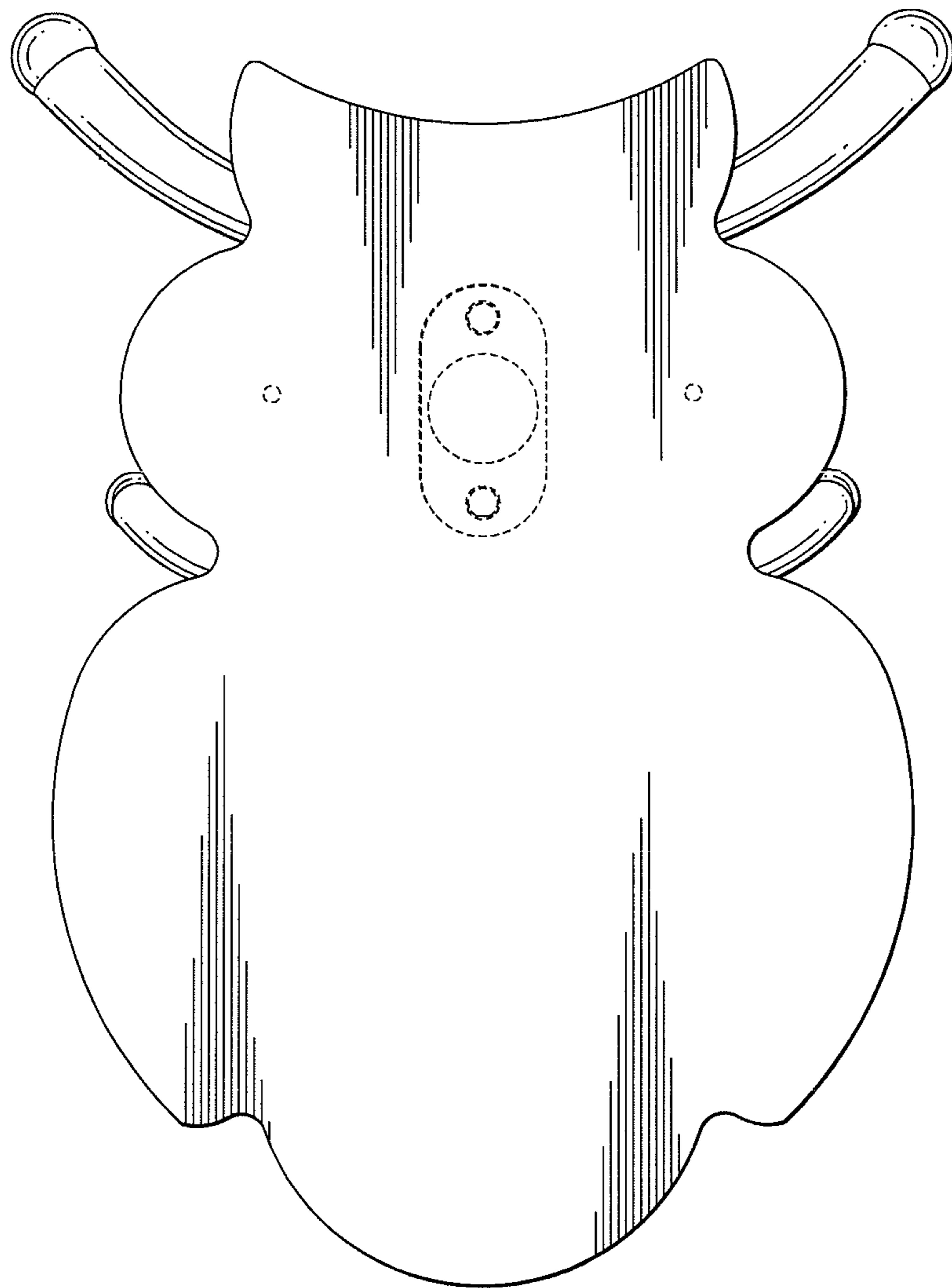


FIG. 3

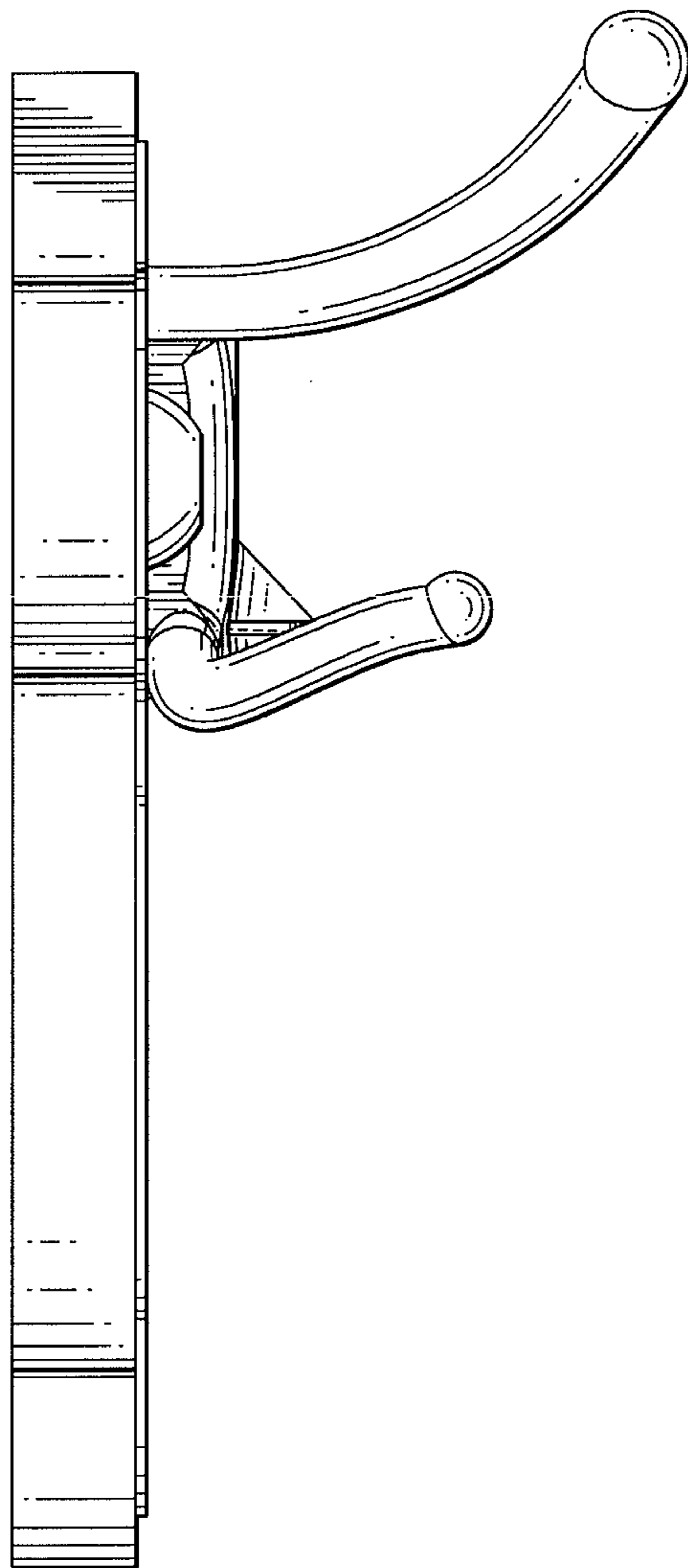


FIG. 4

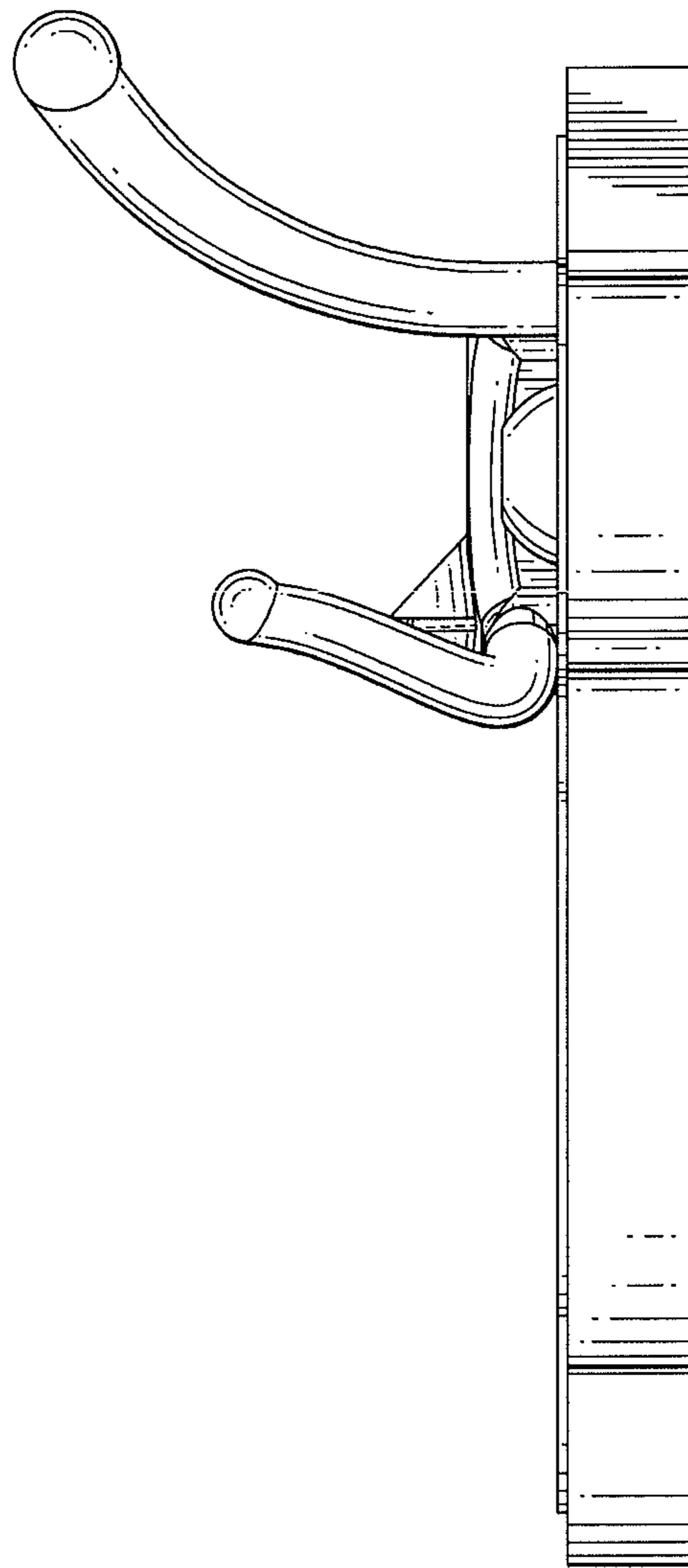


FIG. 5

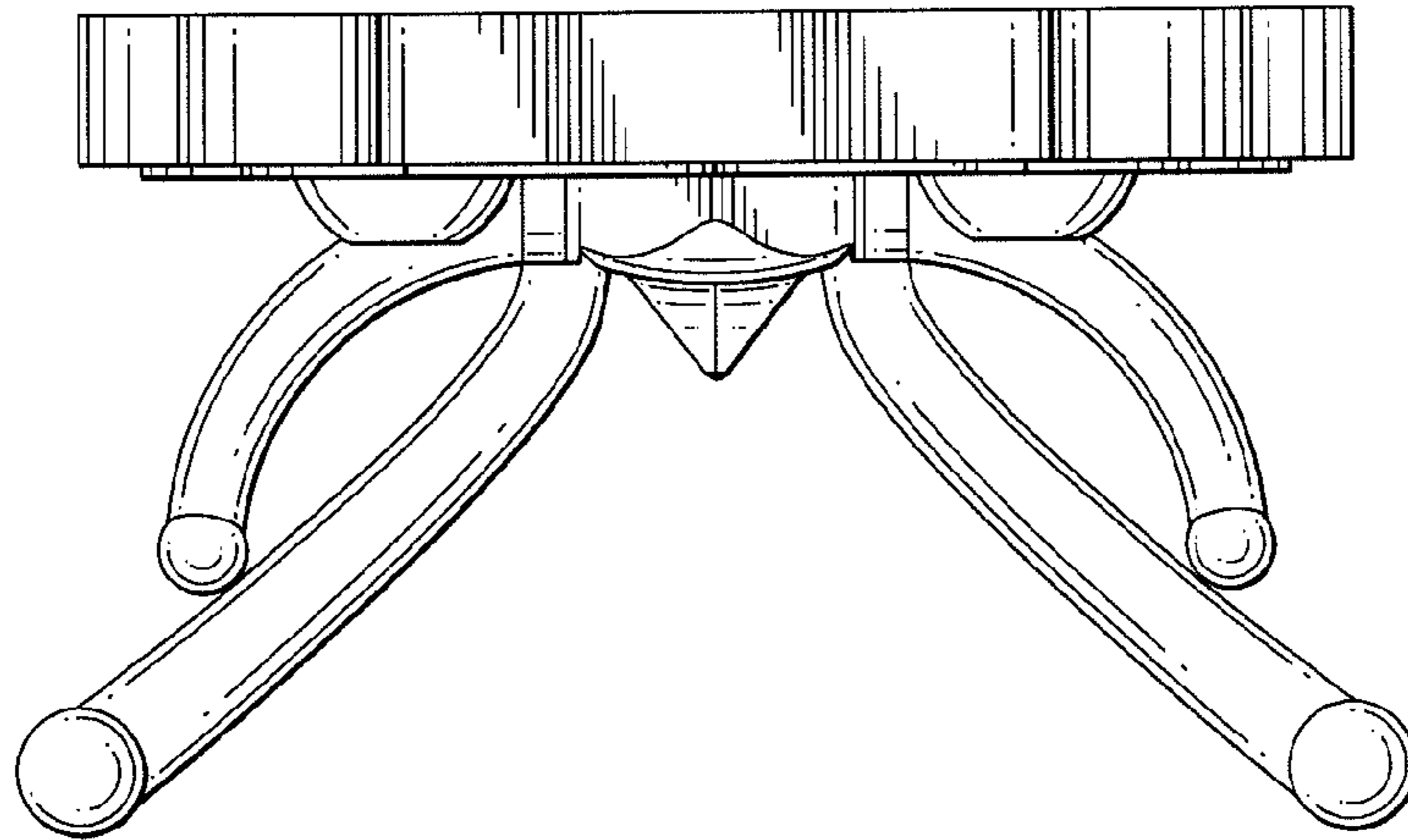


FIG. 6

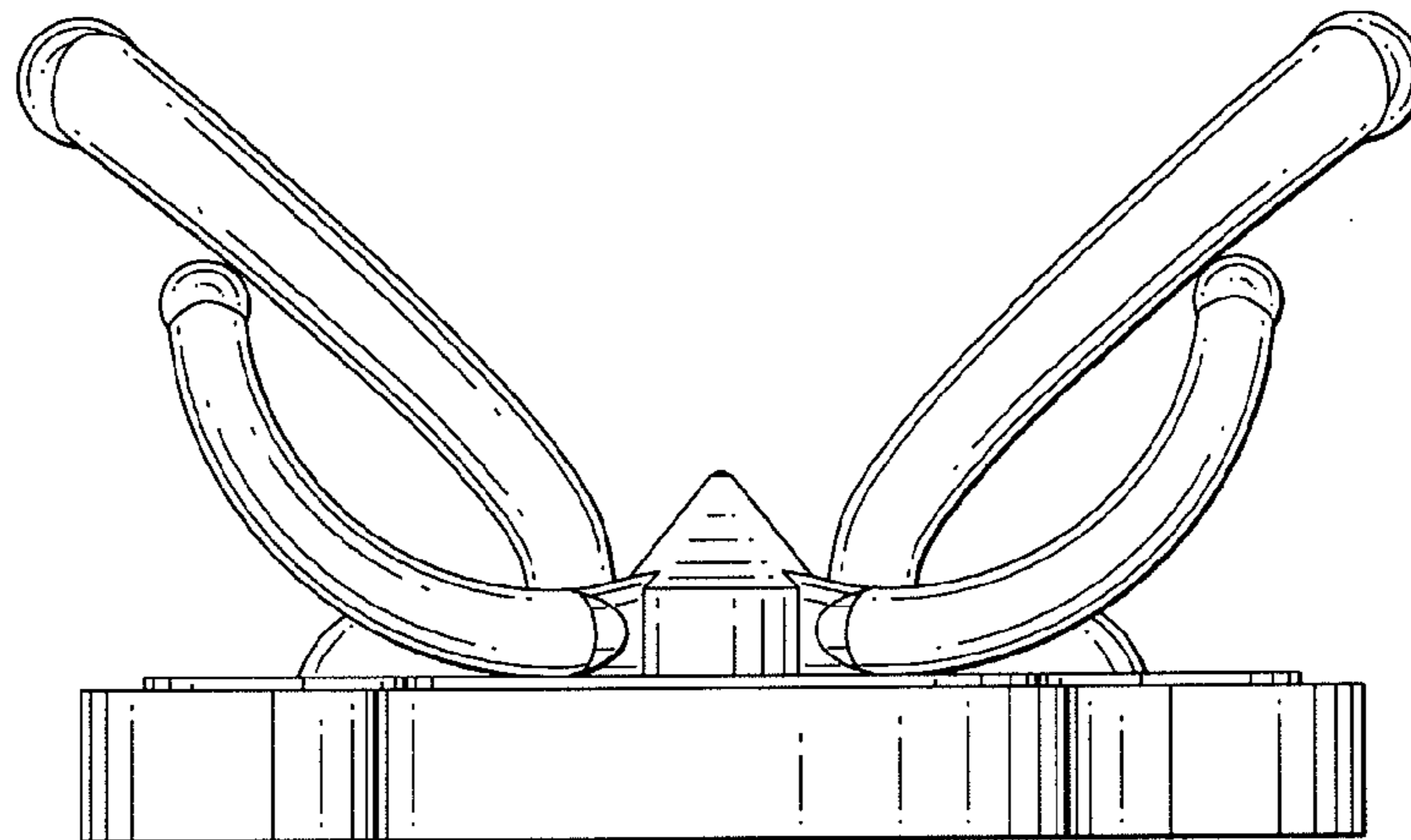


FIG. 7