

US00D696568S

(12) **United States Design Patent**
Huang

(10) **Patent No.:** **US D696,568 S**

(45) **Date of Patent:** **** Dec. 31, 2013**

(54) **TOOL HANDLE**

(71) Applicant: **Chung-Ping Huang**, Taichung (TW)

(72) Inventor: **Chung-Ping Huang**, Taichung (TW)

(73) Assignee: **Allprofessional Mfg. Co., Ltd.**,
Taichung (TW)

(**) Term: **14 Years**

(21) Appl. No.: **29/438,031**

(22) Filed: **Nov. 26, 2012**

(51) **LOC (9) Cl.** **08-05**

(52) **U.S. Cl.**
USPC **D8/107**

(58) **Field of Classification Search**
USPC D8/107, 15, 58, 5; 16/431, DIG. 12,
16/430; 81/347, 417, 427.5; 74/551.9;
30/193, 341, 329, 251, 252
See application file for complete search history.

(56) **References Cited**

U.S. PATENT DOCUMENTS

1,503,536	A *	8/1924	Klauke	16/431
2,436,260	A *	2/1948	Klenk	30/239
2,535,215	A *	12/1950	Klenk	81/347
D169,114	S *	3/1953	Thober	D8/58
D255,980	S *	7/1980	Winget	D8/52
D258,930	S *	4/1981	Wahlberg	D8/22
D262,090	S *	12/1981	Wahlberg	D8/58
4,439,923	A *	4/1984	Scranton	30/252
D275,645	S *	9/1984	Ishida et al.	D8/5
4,502,222	A *	3/1985	Sargent	30/251
D301,537	S *	6/1989	Pittaway	D8/4
5,003,695	A *	4/1991	Lipscomb et al.	30/193
D323,769	S *	2/1992	Ishida et al.	D8/5
D418,031	S *	12/1999	Khachatoorian	D8/58
6,006,422	A *	12/1999	Hickox	29/758

D428,571	S *	7/2000	Wen	D8/107
D455,631	S *	4/2002	Kalanish	D8/107
D458,815	S *	6/2002	Meyerratken	D8/5
6,574,870	B1 *	6/2003	Huang	30/252
D494,040	S *	8/2004	Phillips	D8/107
D503,081	S *	3/2005	Lucus et al.	D8/107
D521,348	S *	5/2006	Walker	D8/107
D544,770	S *	6/2007	Yang	D8/52
D577,563	S *	9/2008	Chen	D8/107
D579,745	S *	11/2008	Huang	D8/107
D618,078	S *	6/2010	Cripps et al.	D8/52
D623,498	S *	9/2010	Wong	D8/107
D631,322	S *	1/2011	Wong	D8/107
D649,420	S *	11/2011	Cunningham et al.	D8/57
D652,276	S *	1/2012	Good	D8/52
D665,243	S *	8/2012	Yang	D8/107
D671,808	S *	12/2012	Yang	D8/4

* cited by examiner

Primary Examiner — Paula Greene

(74) *Attorney, Agent, or Firm* — Alan Kamrath; Kamrath IP Lawfirm, P.A.

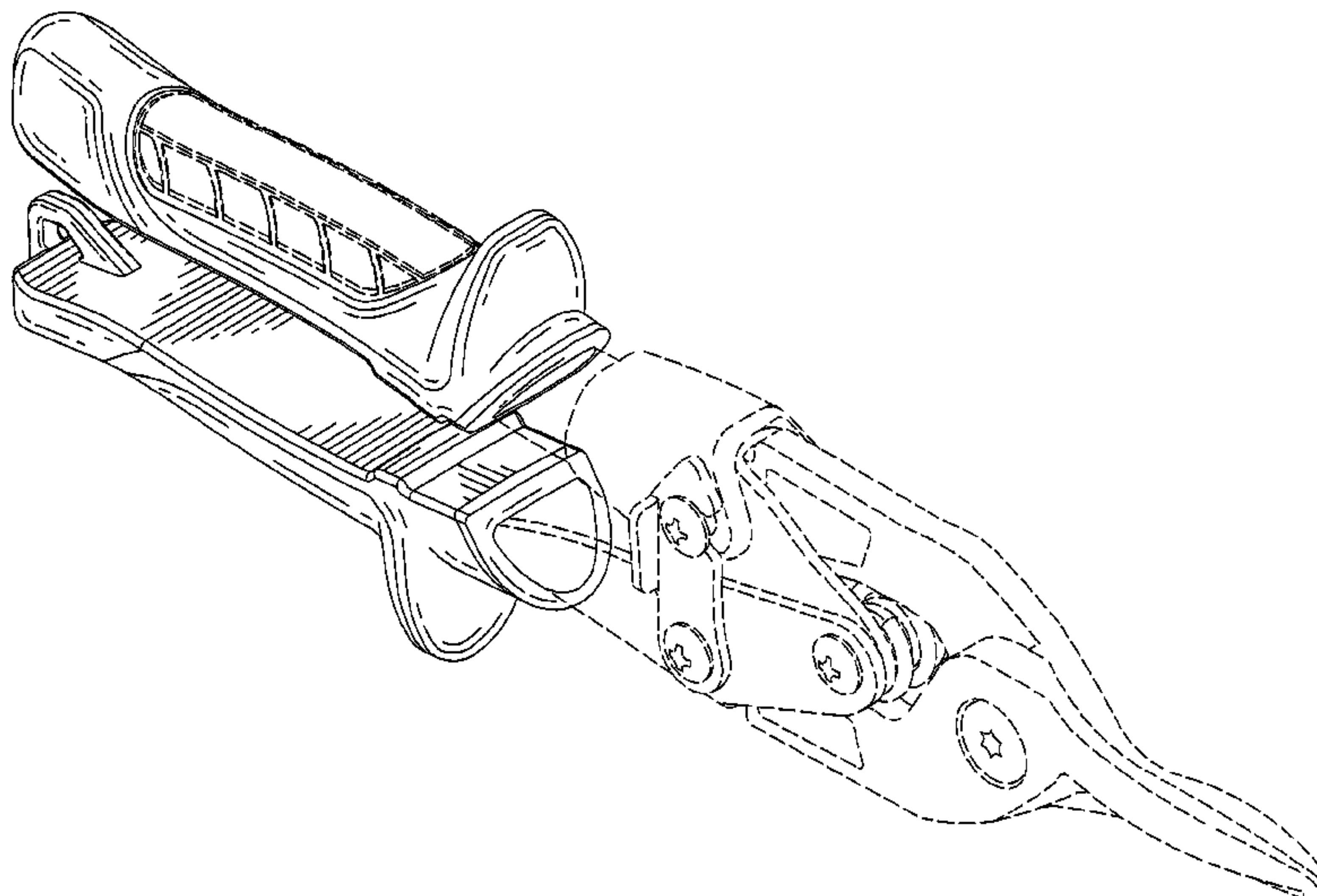
(57) **CLAIM**

The ornamental design for tool handle, as shown and described.

DESCRIPTION

FIG. 1 is a perspective view of a tool handle showing my new design;
FIG. 2 is a front view thereof, with the opposite side being a mirror image thereof;
FIG. 3 is a left view thereof;
FIG. 4 is a right view thereof;
FIG. 5 is a top view thereof;
FIG. 6 is a bottom view thereof; and,
FIG. 7 is the perspective view embodying the utilization of tool handle in which the broken line is for illustrative purposes only and forms no part of the claimed design.

1 Claim, 6 Drawing Sheets



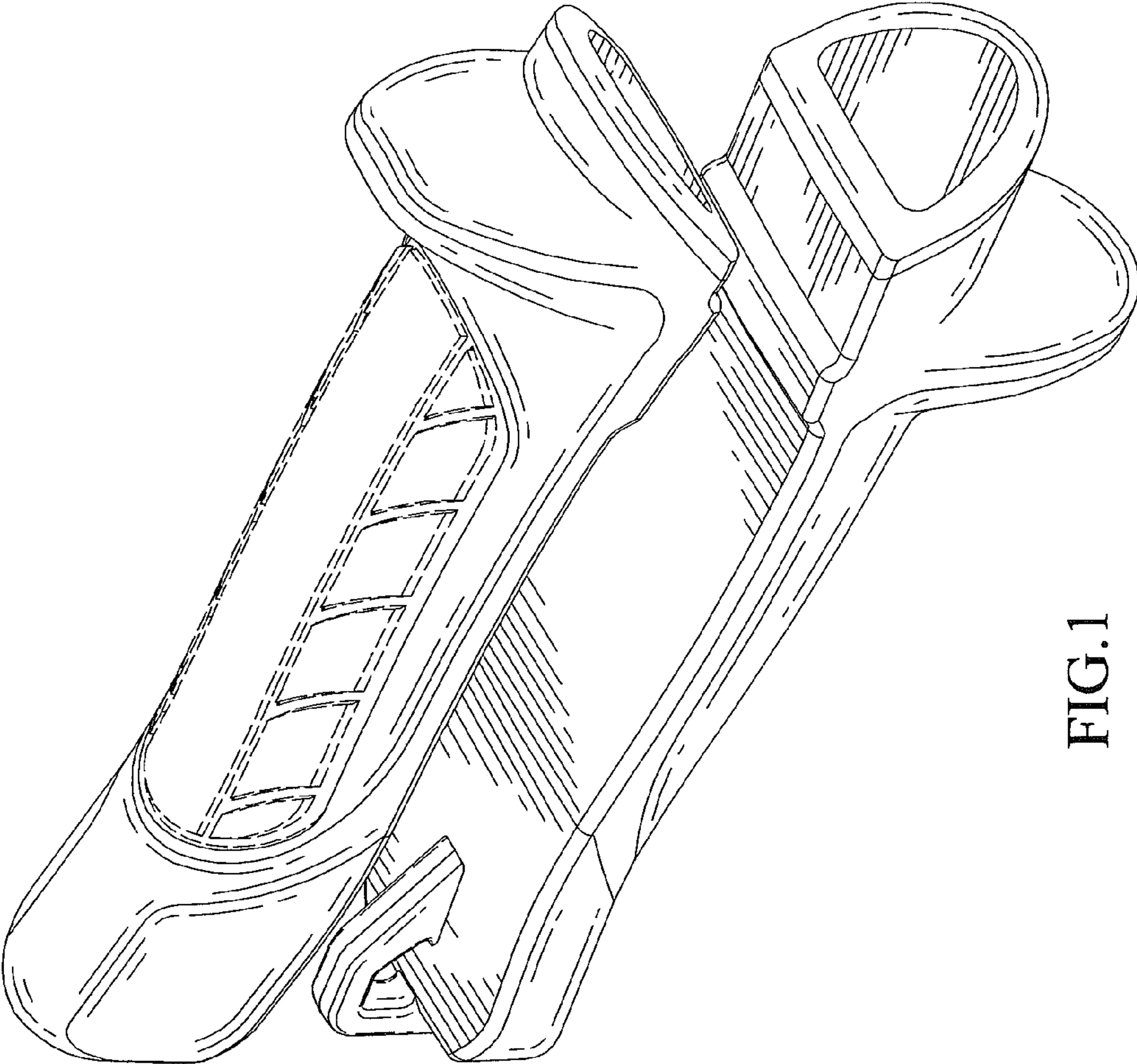


FIG.1

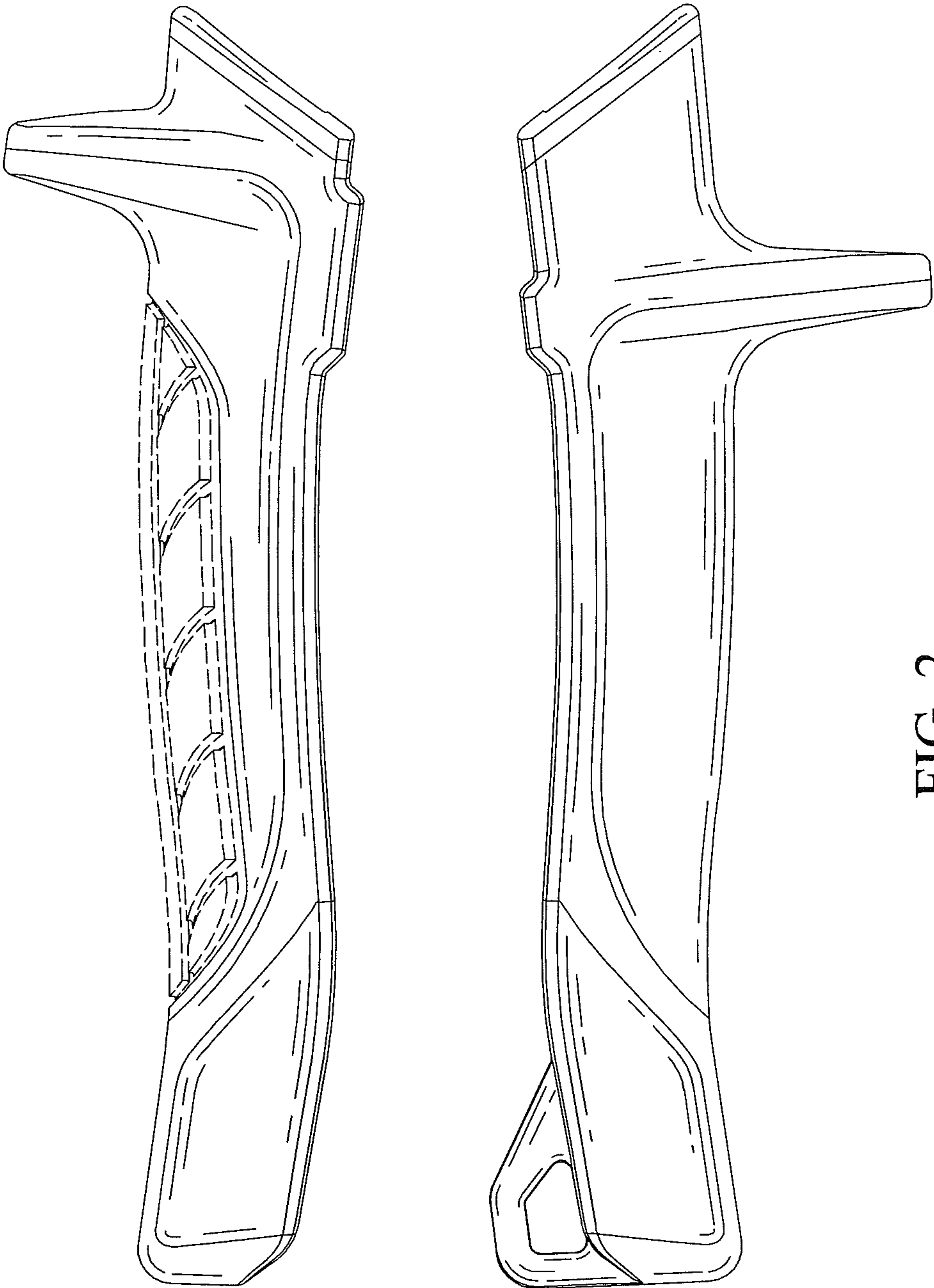


FIG. 2

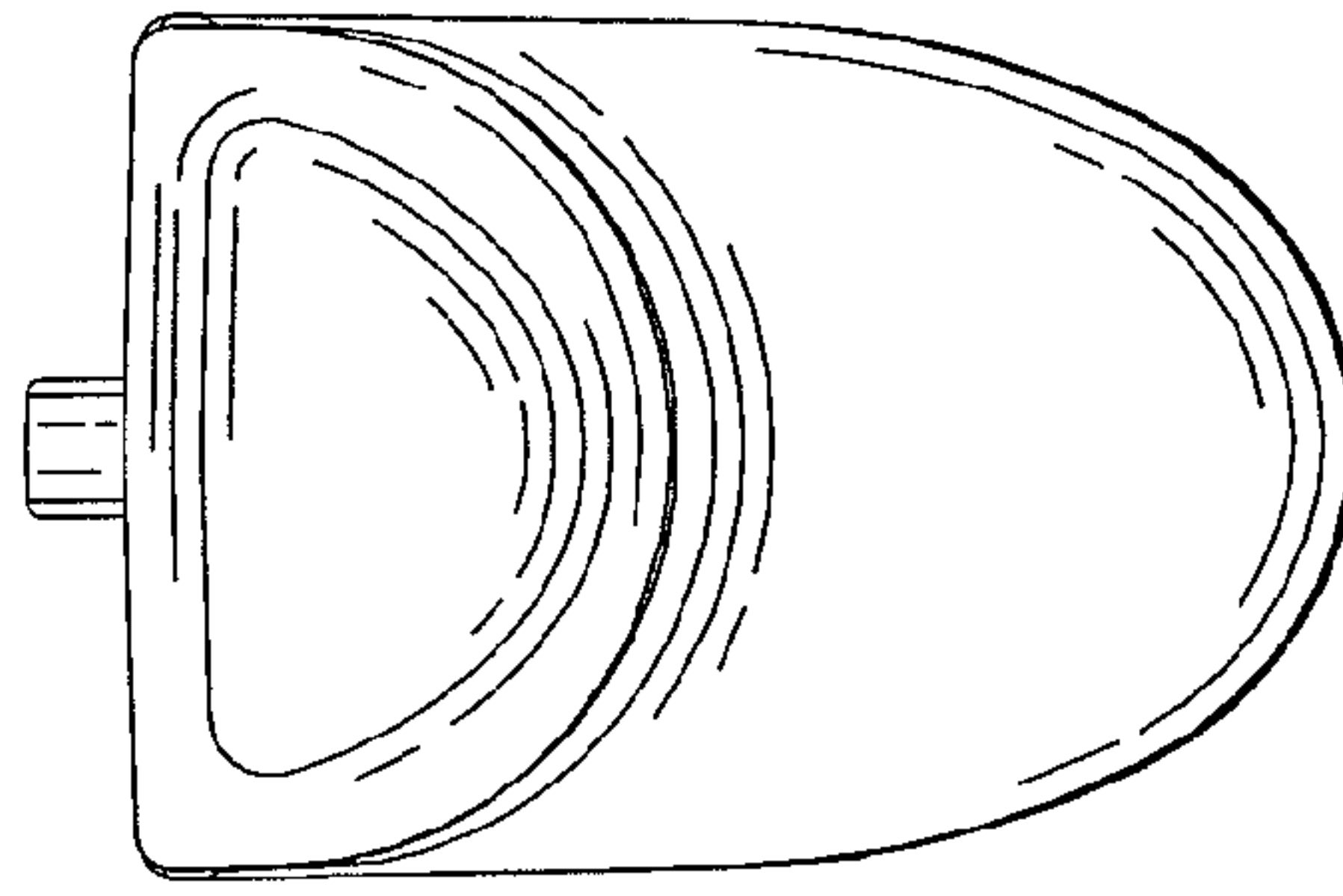
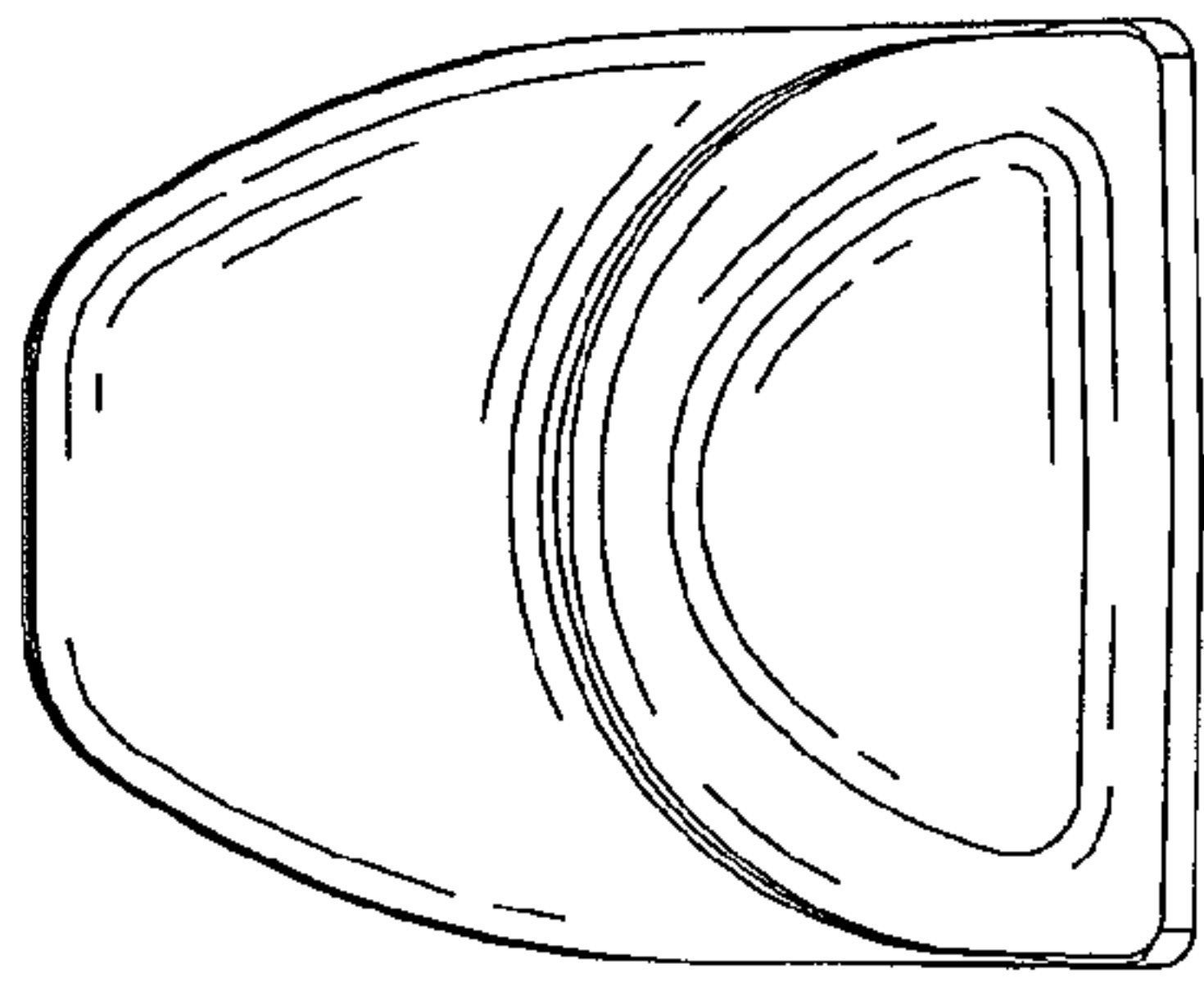


FIG. 4

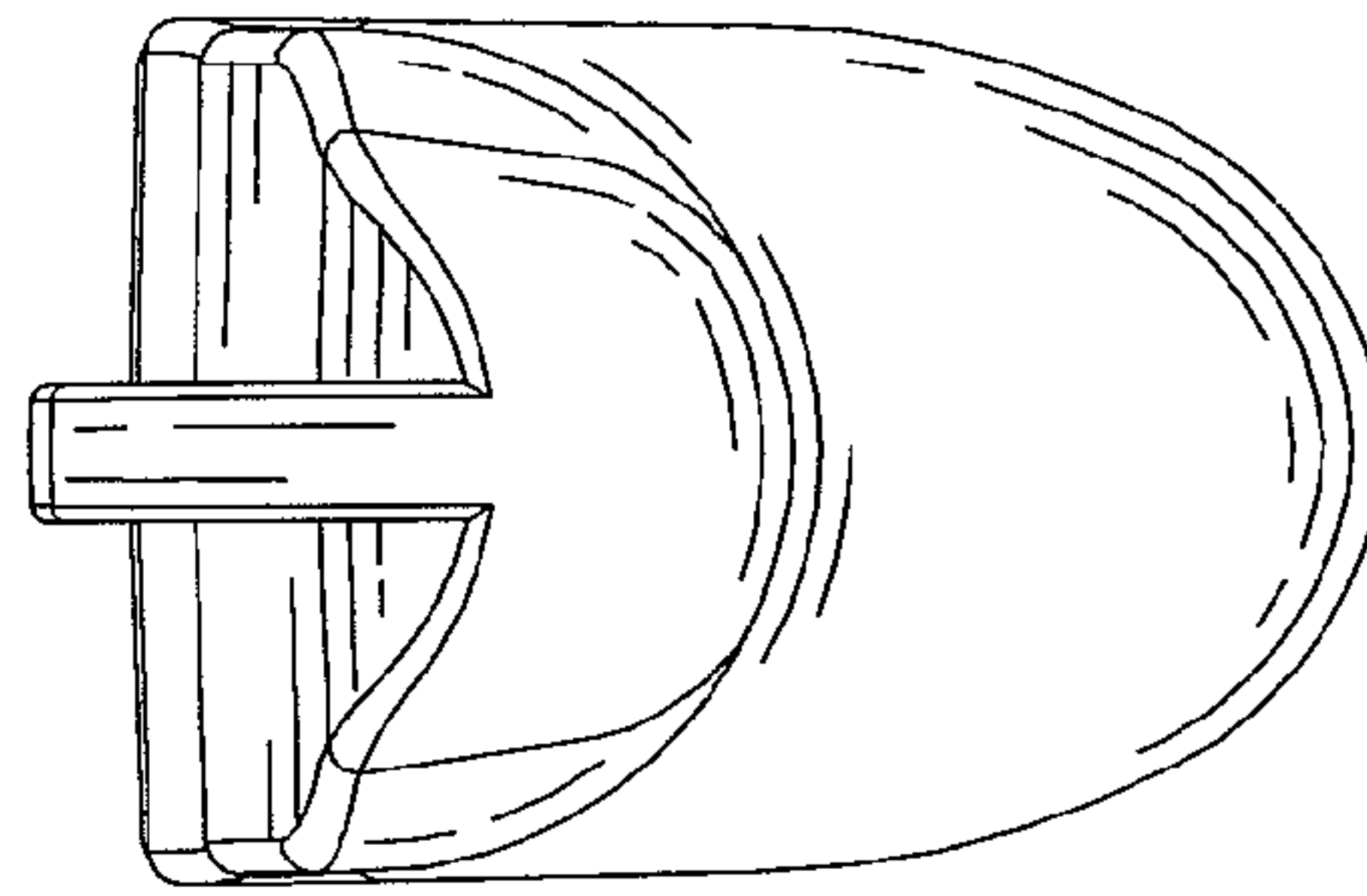
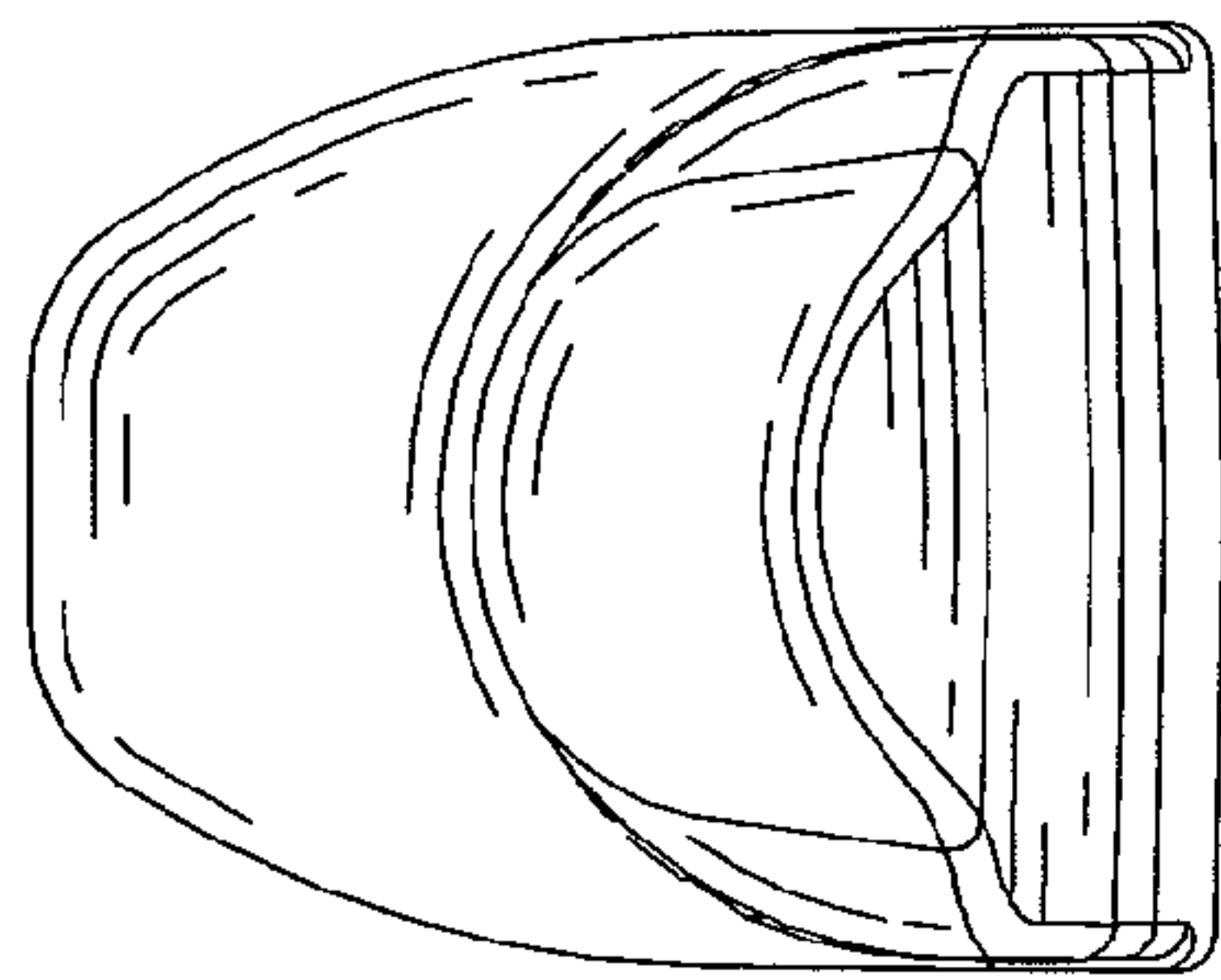


FIG. 3

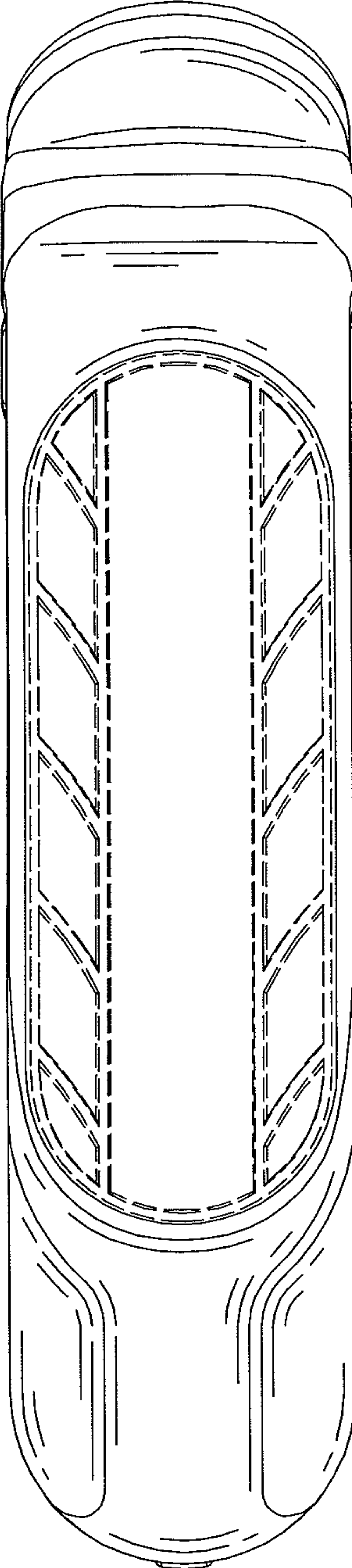


FIG. 5

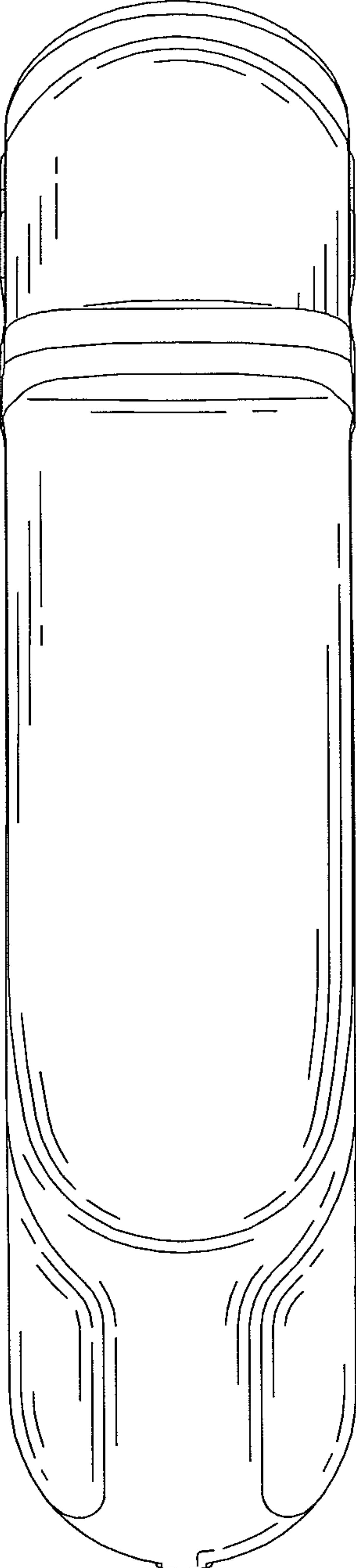


FIG. 6

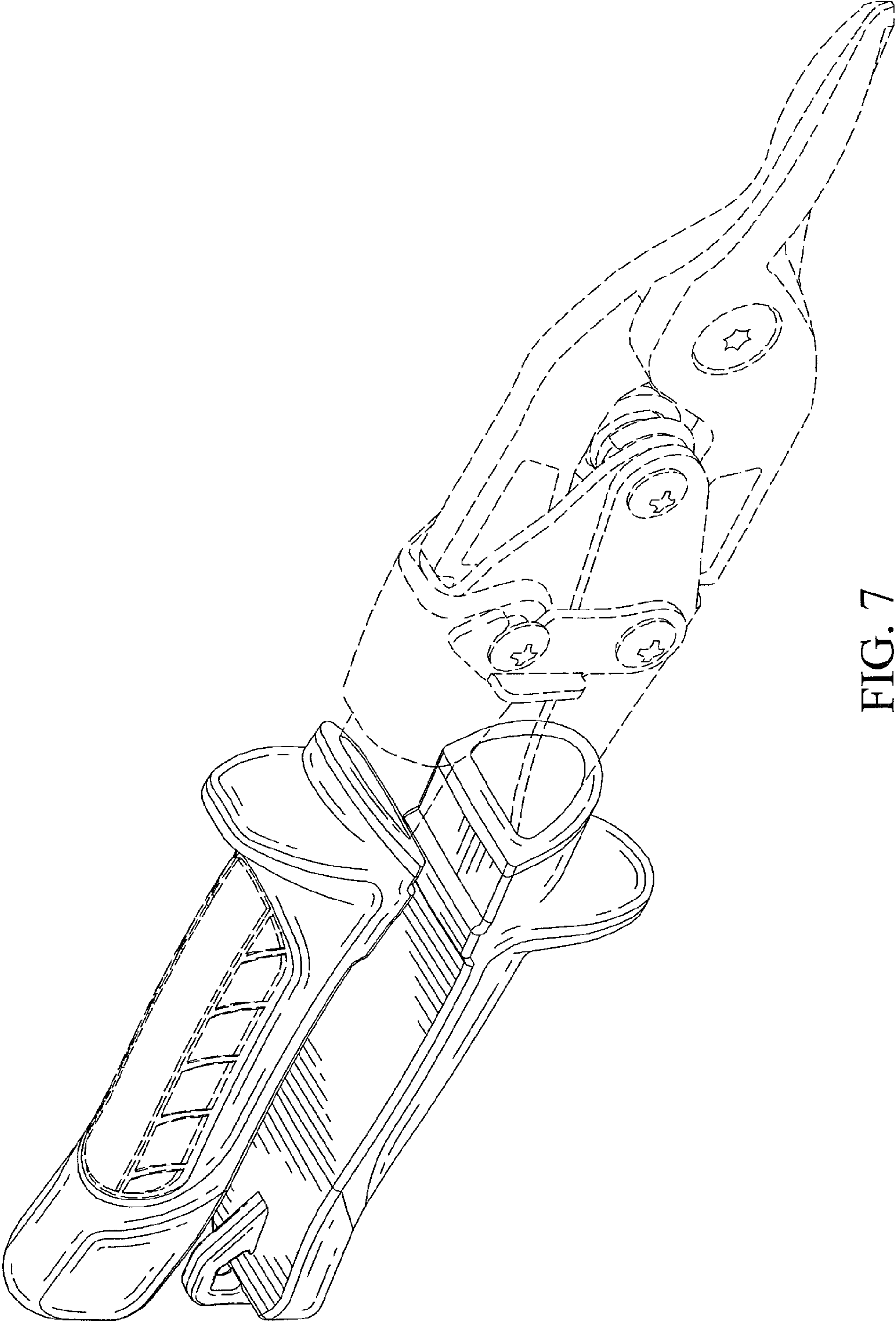


FIG. 7