



US00D696562S

(12) **United States Design Patent**
Lee et al.

(10) **Patent No.:** **US D696,562 S**
(45) **Date of Patent:** **** Dec. 31, 2013**

- (54) **HANDHELD GRATER**
- (71) Applicant: **Robinson Home Products Inc.**,
Williamsville, NY (US)
- (72) Inventors: **Stuart Harvey Lee**, Forest Hills, NY
(US); **Jochen Rainer Schaeppers**, New
York, NY (US)
- (73) Assignee: **Robinson Home Products, Inc.**,
Williamsville, NY (US)
- (**) Term: **14 Years**
- (21) Appl. No.: **29/447,358**
- (22) Filed: **Mar. 1, 2013**
- (51) **LOC (9) Cl.** **07-04**
- (52) **U.S. Cl.**
USPC **D7/678**
- (58) **Field of Classification Search**
USPC D7/678, 672-677, 381-385, 412;
99/495-510; 83/669, 856, 857, 870,
83/699.51, 699.61, 932; 241/92-95, 100,
241/168, 169, 169.1, 273.1-273.4, 30, 33,
241/36, 37.5; 100/234, 98 R, 110; 30/114,
30/278, 279.6, 280, 286, 287, 383,
30/389-391
See application file for complete search history.

(56) **References Cited**

U.S. PATENT DOCUMENTS

D259,759 S * 7/1981 Williams D7/678
5,312,054 A 5/1994 Feer et al.

(Continued)

Primary Examiner — Terry Wallace

(74) *Attorney, Agent, or Firm* — Florek & Endres PLLC

(57) **CLAIM**

We claim the ornamental design for a handheld grater, as shown and described.

DESCRIPTION

FIG. 1 is a perspective view of the handheld grater of the present invention shown with its catch bin in a closed configuration.

FIG. 2 is a right side elevation view of the handheld grater of the present invention shown with its catch bin in a closed configuration.

FIG. 3 is a left side elevation view of the handheld grater of the present invention shown with its catch bin in a closed configuration.

FIG. 4 is a top plan view of the handheld grater of the present invention shown with its catch bin in a closed configuration.

FIG. 5 is a bottom plan view of the handheld grater of the present invention shown with its catch bin in a closed configuration.

FIG. 6 is a front elevation view of the handheld grater of the present invention shown with its catch bin in a closed configuration.

FIG. 7 is a rear elevation view of the handheld grater of the present invention shown with its catch bin in a closed configuration.

FIG. 8 is a perspective view of the handheld grater of the present invention shown with its catch bin in an open configuration.

FIG. 9 is a right side elevation view of the handheld grater of the present invention shown with its catch bin in an open configuration.

FIG. 10 is a left side elevation view of the handheld grater of the present invention shown with its catch bin in an open configuration.

FIG. 11 is a top plan view of the handheld grater of the present invention shown with its catch bin in an open configuration.

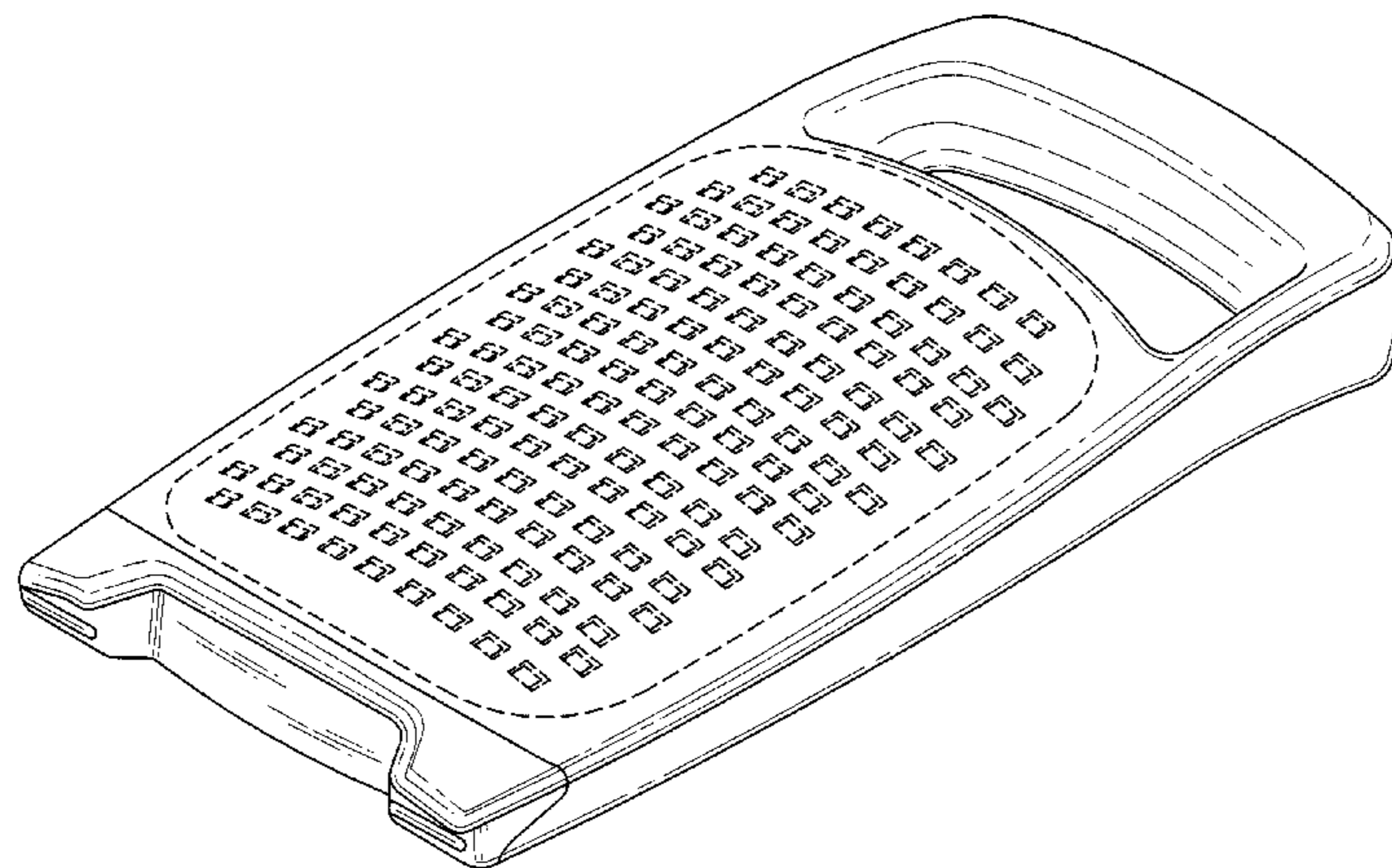
FIG. 12 is a bottom plan view of the handheld grater of the present invention shown with its catch bin in an open configuration.

FIG. 13 is a front elevation view of the handheld grater of the present invention shown with its catch bin in an open configuration; and,

FIG. 14 is a rear elevation view of the handheld grater of the present invention shown with its catch bin in an open configuration.

The broken lines in the drawings represent unclaimed features.

1 Claim, 13 Drawing Sheets



US D696,562 S

Page 2

(56)

References Cited

U.S. PATENT DOCUMENTS

D389,019 S *	1/1998	Molo	D7/678	D568,118 S *	5/2008	Chalfant et al.	D7/678
D448,256 S	9/2001	Ancona et al.		7,469,848 B2 *	12/2008	Yamanaka et al.	241/95
D472,110 S *	3/2003	Wright	D7/678	D593,817 S *	6/2009	Eide et al.	D7/678
D548,549 S *	8/2007	Curtin	D7/678	2004/0217219 A1 *	11/2004	Bitonto et al.	241/95
				2005/0006505 A1	1/2005	McNeely et al.	
				2006/0283994 A1 *	12/2006	Webb et al.	241/95

* cited by examiner

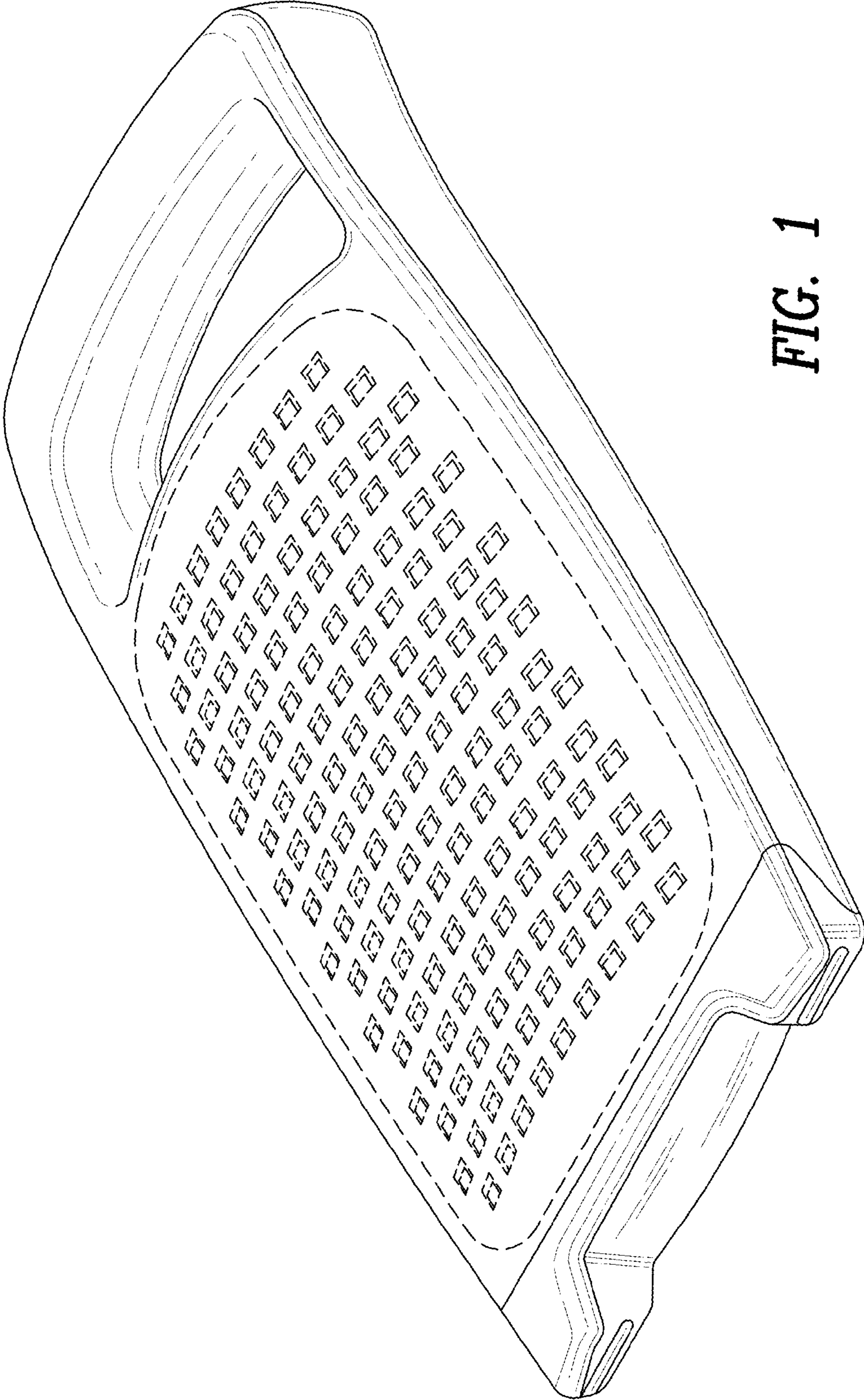


FIG. 1

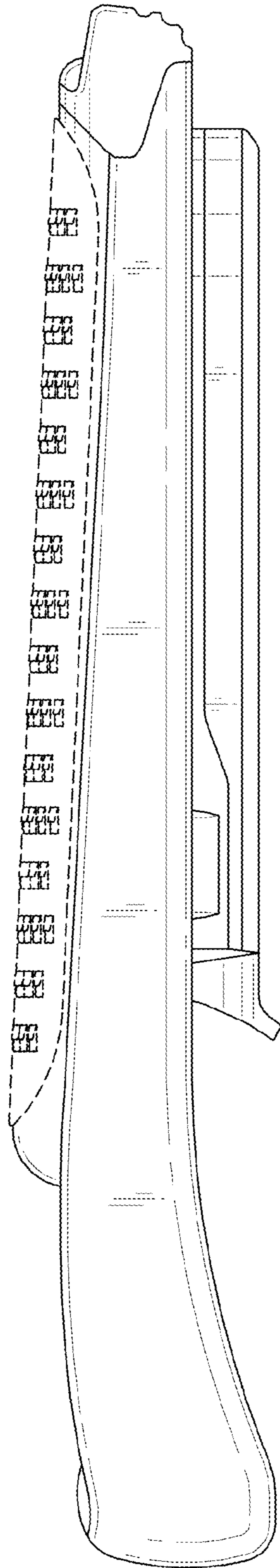


FIG. 2

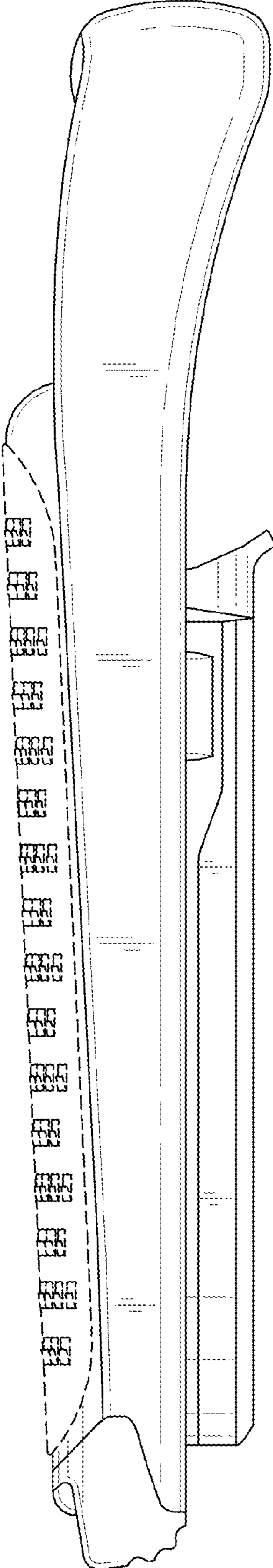


FIG. 3

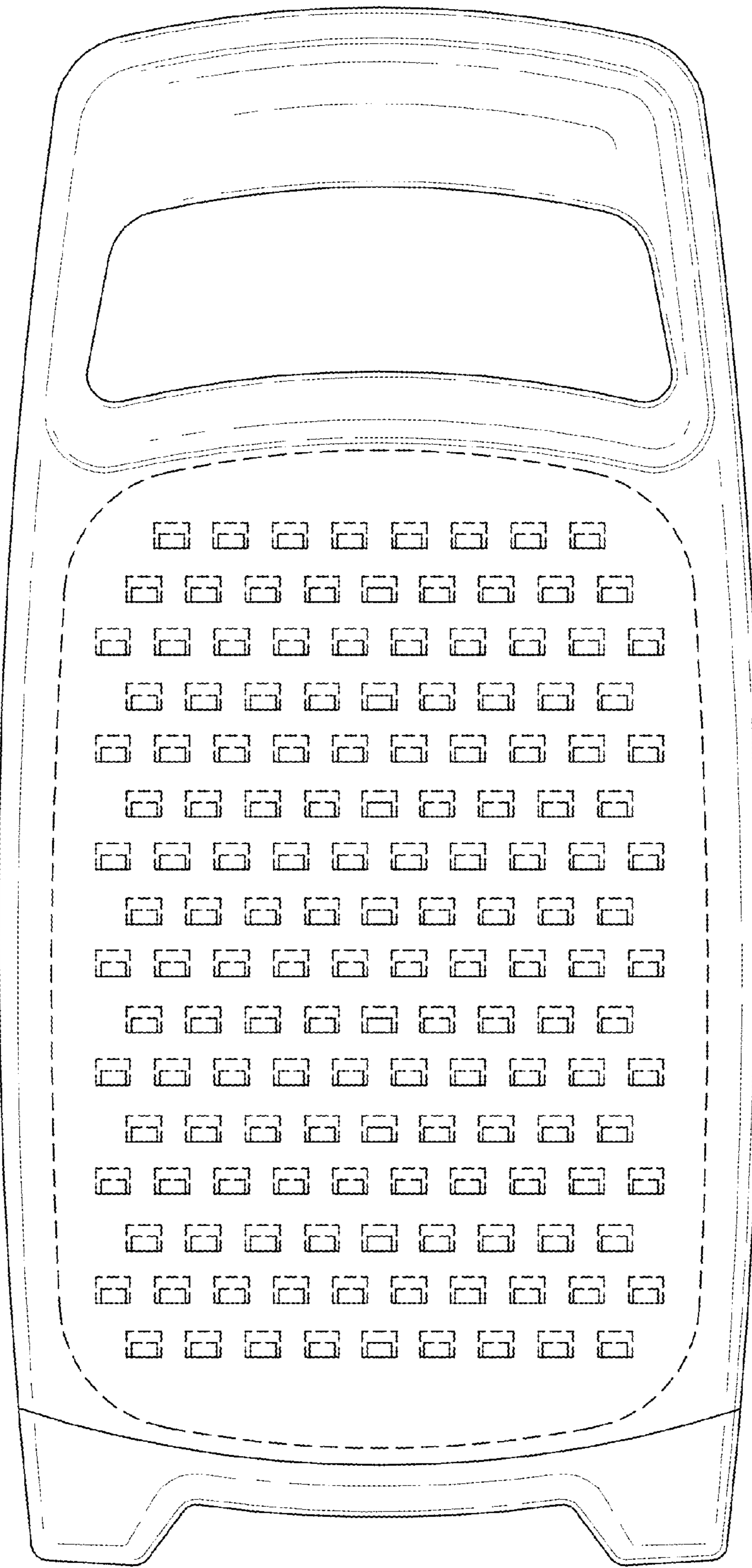


FIG. 4

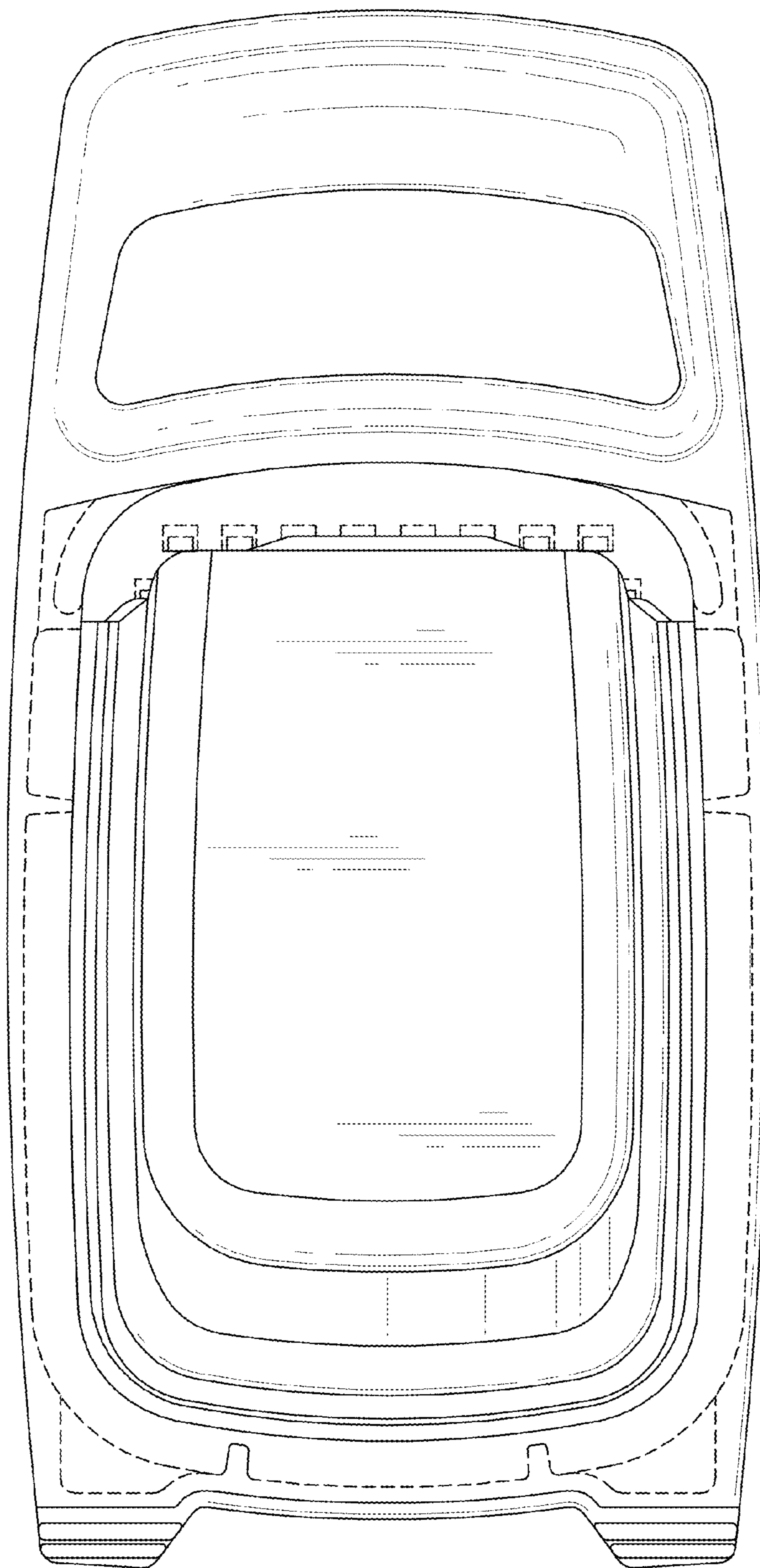


FIG. 5

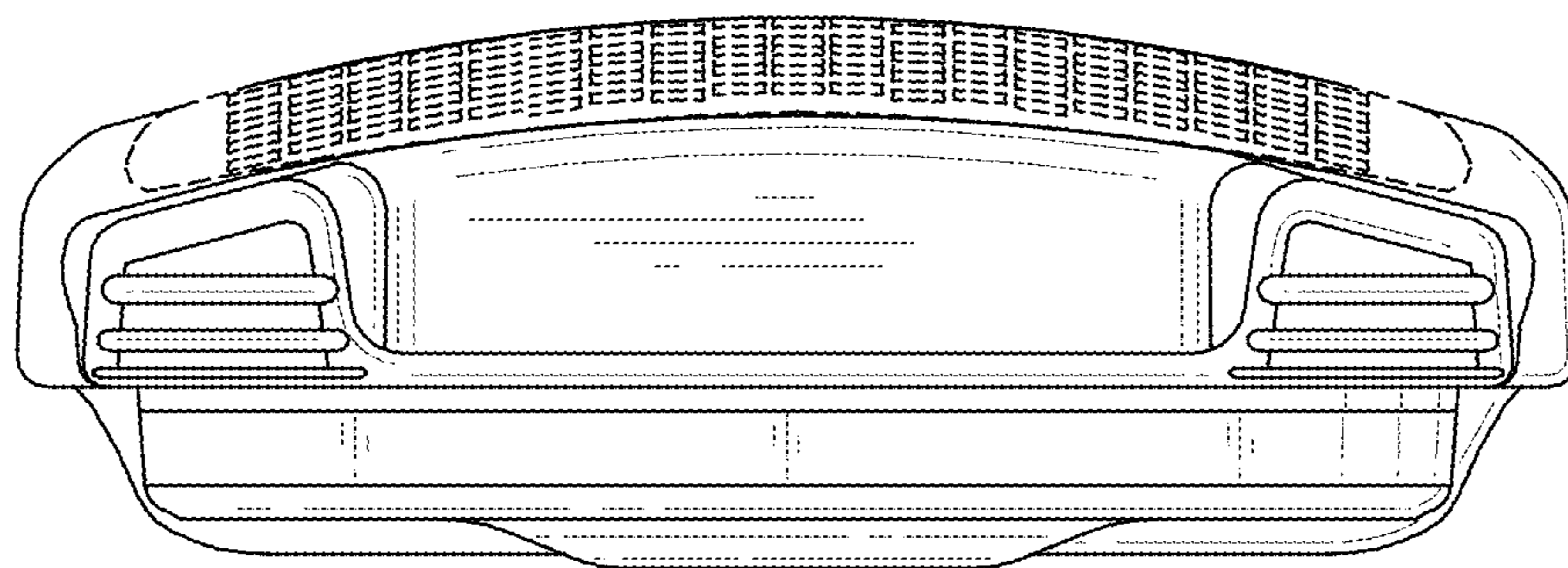


FIG. 6

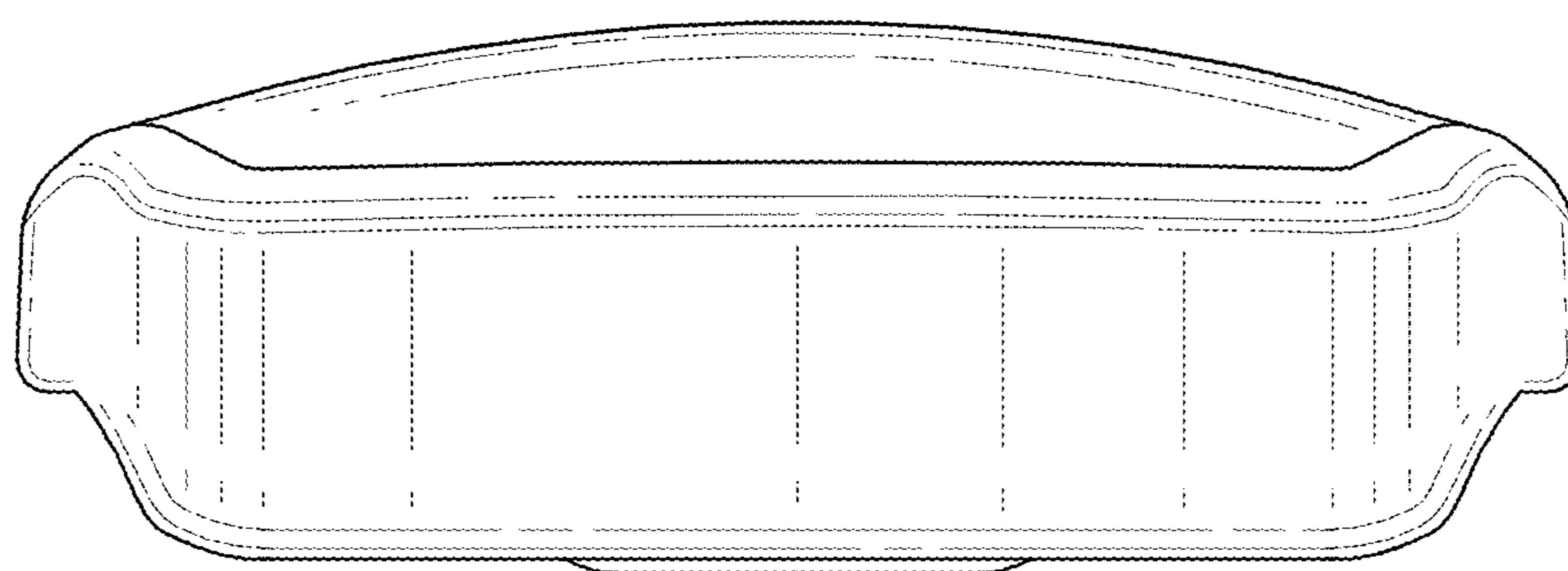


FIG. 7

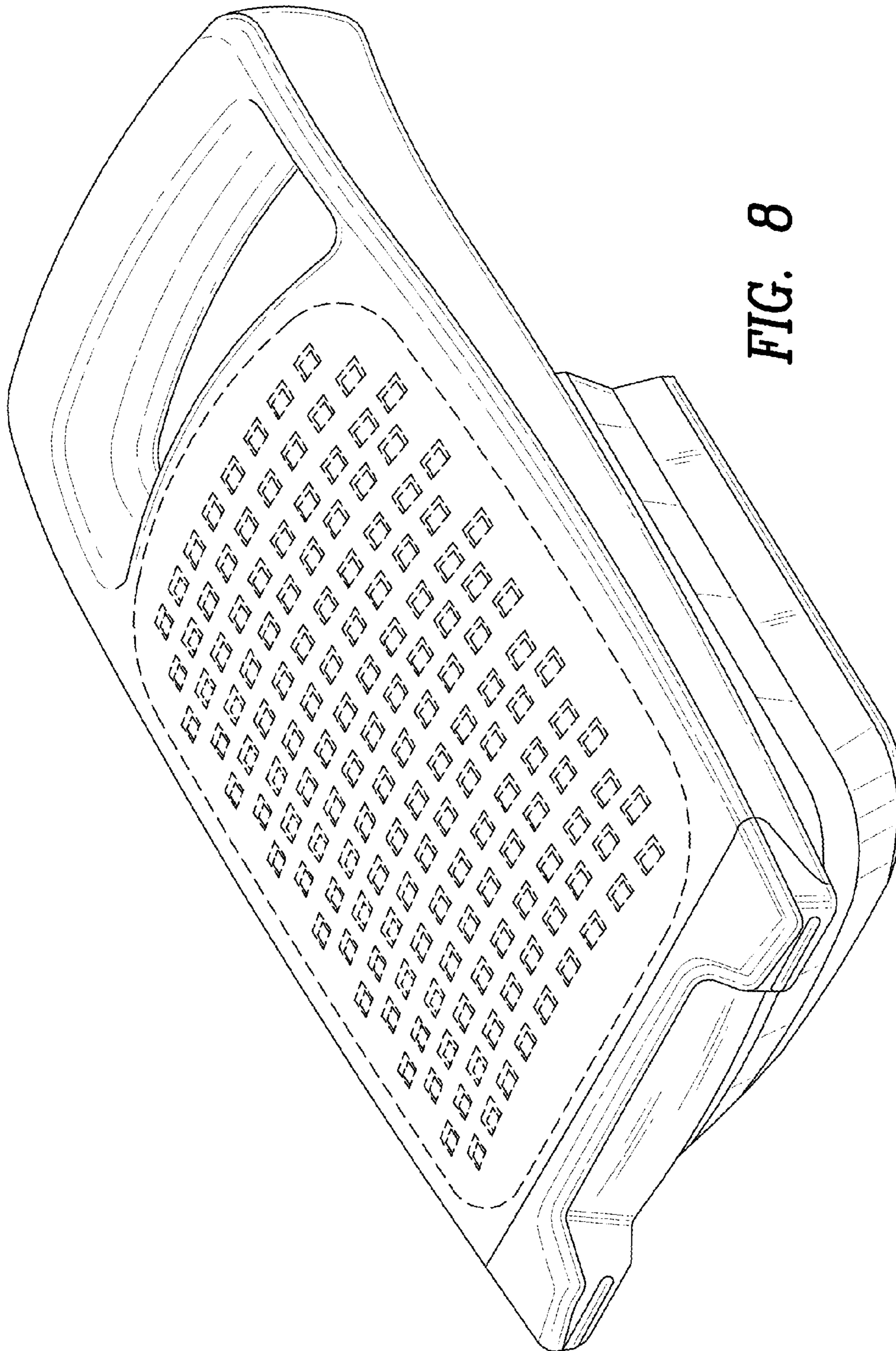


FIG. 8

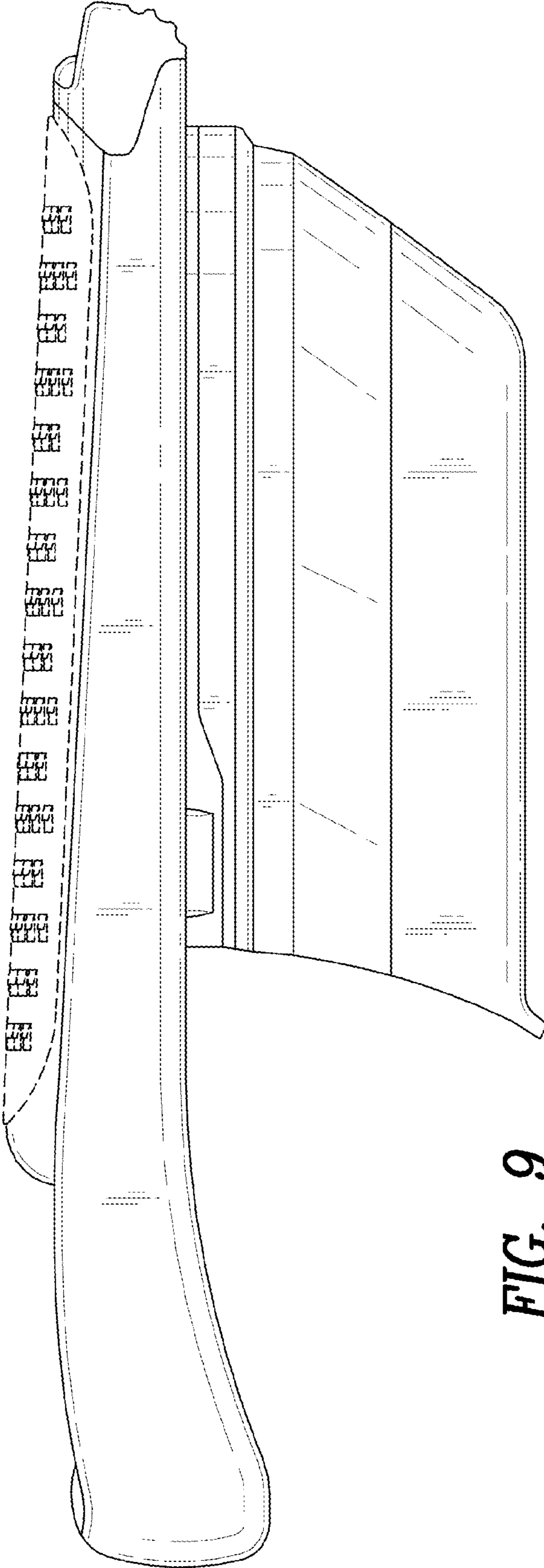


FIG. 9

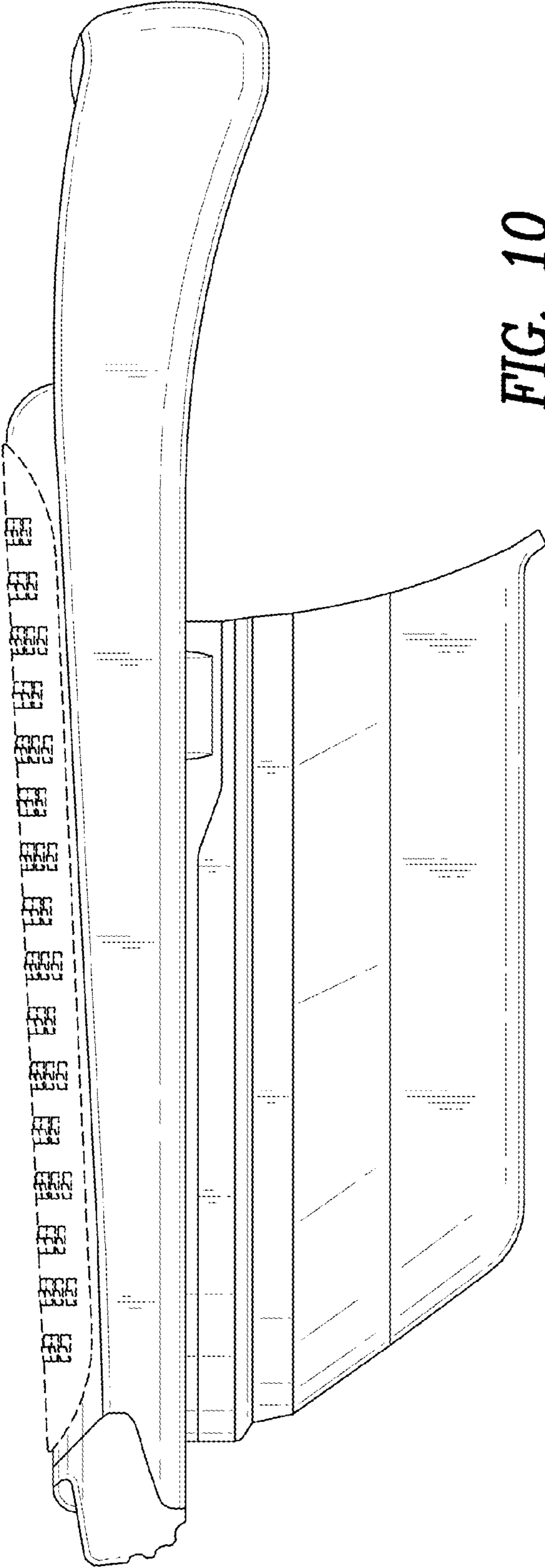


FIG. 10

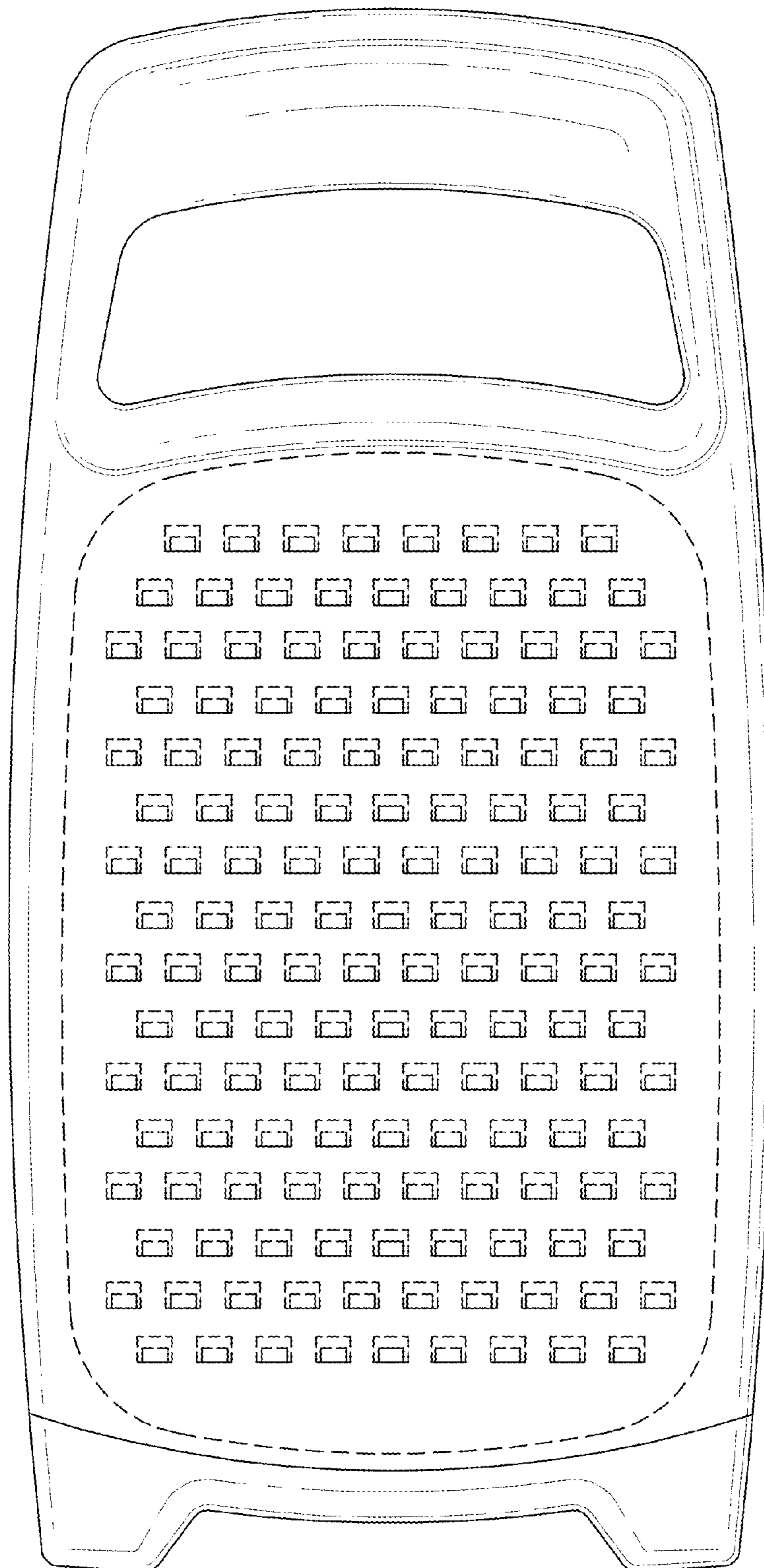


FIG. 11

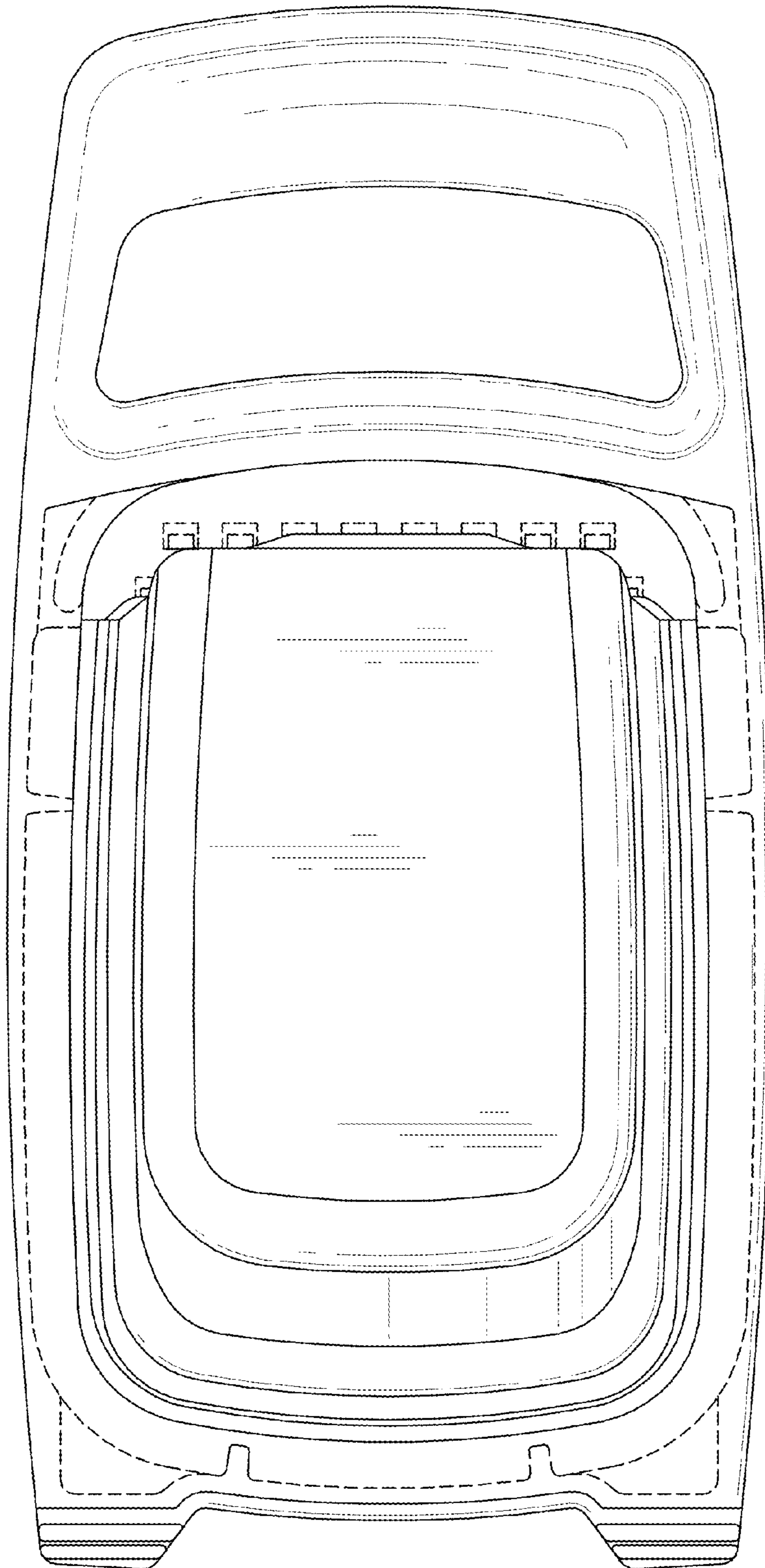


FIG. 12

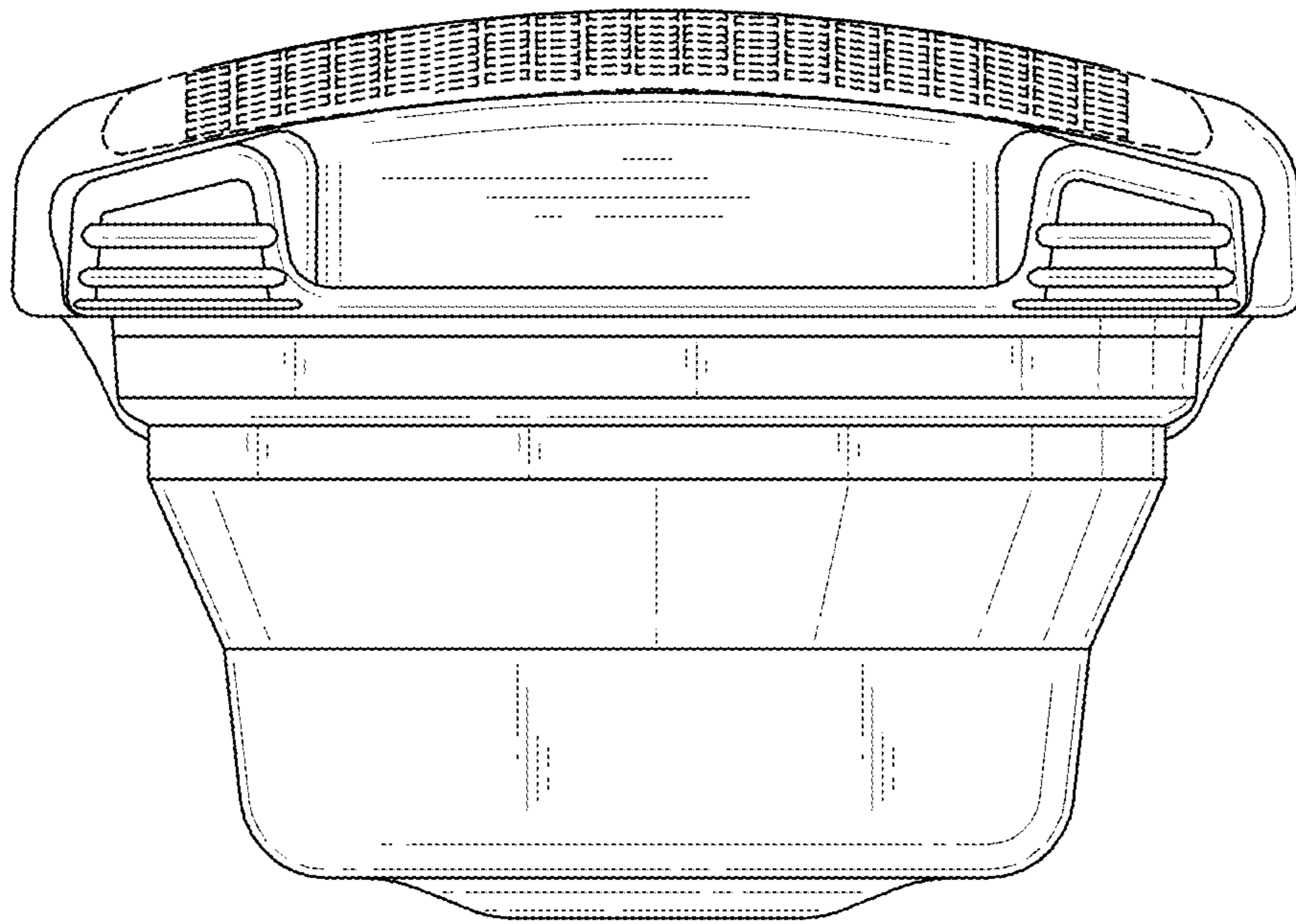


FIG. 13

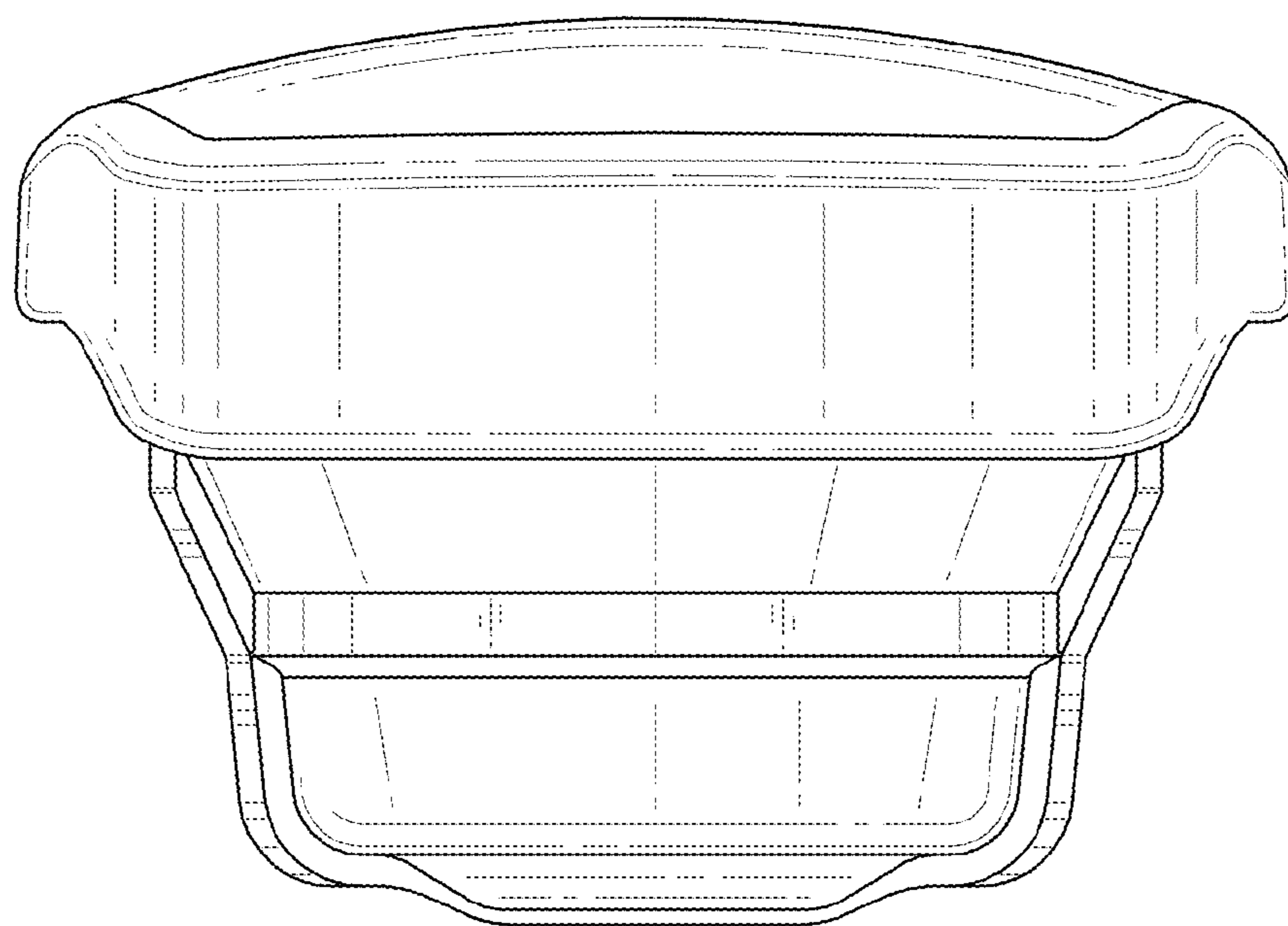


FIG. 14