

US00D696561S

(12) **United States Design Patent**
Sacro

(10) **Patent No.:** **US D696,561 S**

(45) **Date of Patent:** **** Dec. 31, 2013**

(54) **COMBINED PASTRY TART TAMPING AND
POLVORON SHAPING TOOL**

(76) Inventor: **Daisy Sacro**, Ontario, CA (US)

(**) Term: **14 Years**

(21) Appl. No.: **29/430,111**

(22) Filed: **Aug. 21, 2012**

(51) **LOC (9) Cl.** **07-04**

(52) **U.S. Cl.**
USPC **D7/669**; D7/682

(58) **Field of Classification Search**
USPC D7/669, 368, 682, 399, 387, 412;
241/168, 169.2; 99/275, 279, 285, 286,
99/295, 297, 580
See application file for complete search history.

(56) **References Cited**

U.S. PATENT DOCUMENTS

D43,450 S * 1/1913 Robertshaw D27/196
D288,272 S * 2/1987 Steinko D7/665
D346,536 S * 5/1994 Thornley D7/682

D348,590 S * 7/1994 Scott D7/682
D349,433 S * 8/1994 Tran D7/693
D375,233 S * 11/1996 Hirsch D7/682
D406,019 S * 2/1999 La Gro D7/682
D493,338 S * 7/2004 Scott D7/682
D642,023 S * 7/2011 Reay D7/682
2004/0206243 A1 * 10/2004 Foster et al. 99/279

* cited by examiner

Primary Examiner — Terry Wallace

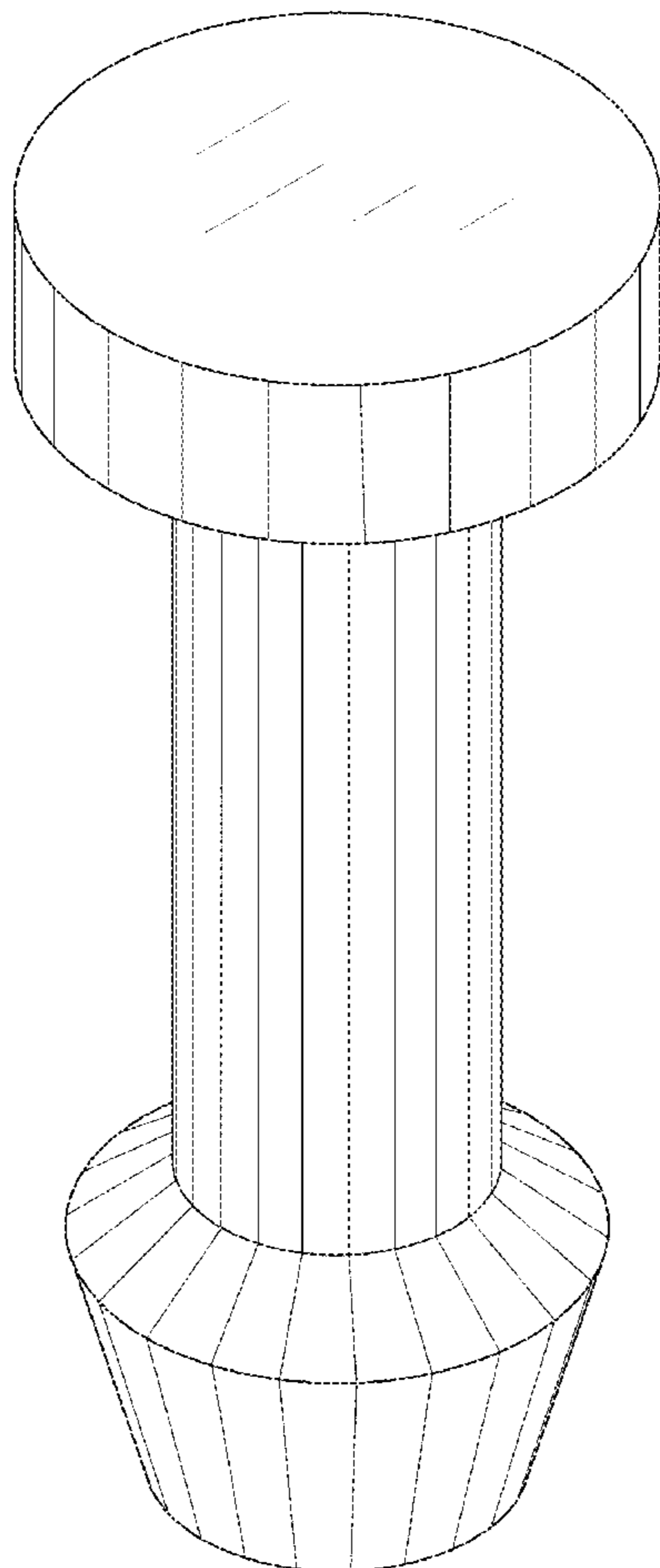
(57) **CLAIM**

The ornamental design for a combined pastry tart tamping and polvoron shaping tool, as shown and described.

DESCRIPTION

FIG. 1 is a front view (back view and side views are same image) of a combined pastry tart tamping and polvoron shaping tool showing my new design;
FIG. 2 is a top view thereof;
FIG. 3 is a bottom view thereof;
FIG. 4 is a top perspective view thereof; and,
FIG. 5 is a bottom perspective view thereof.

1 Claim, 4 Drawing Sheets



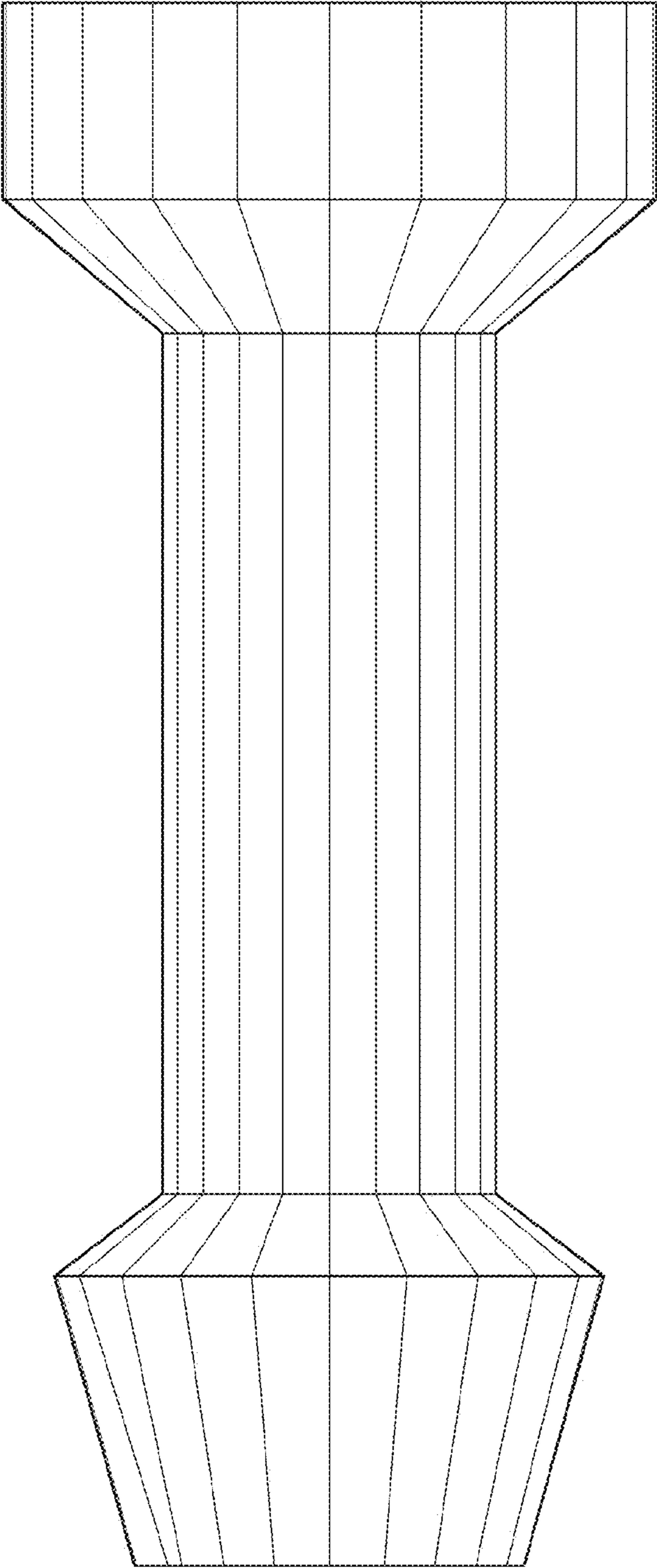


FIG. 1

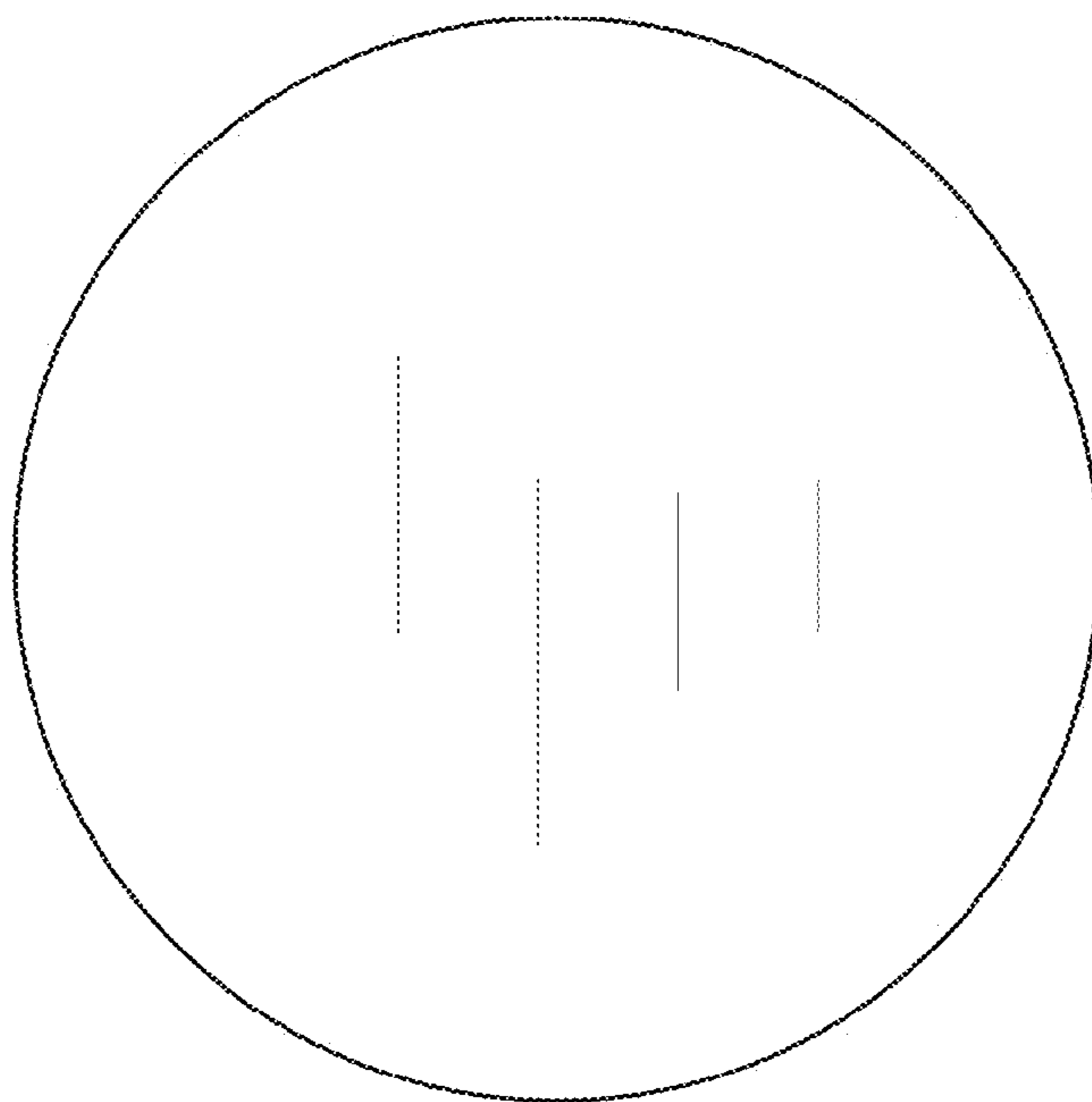


FIG. 2

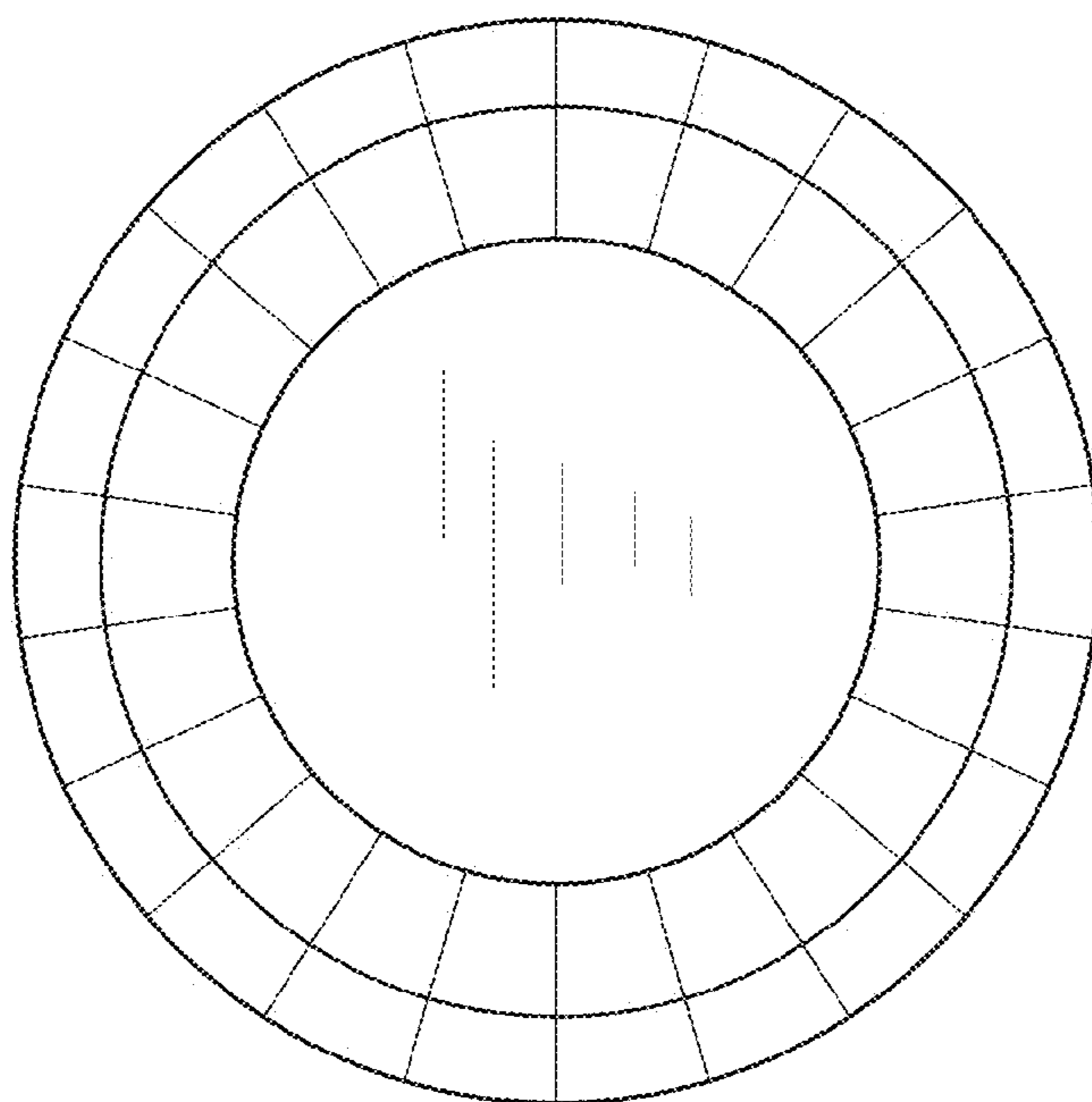


FIG. 3

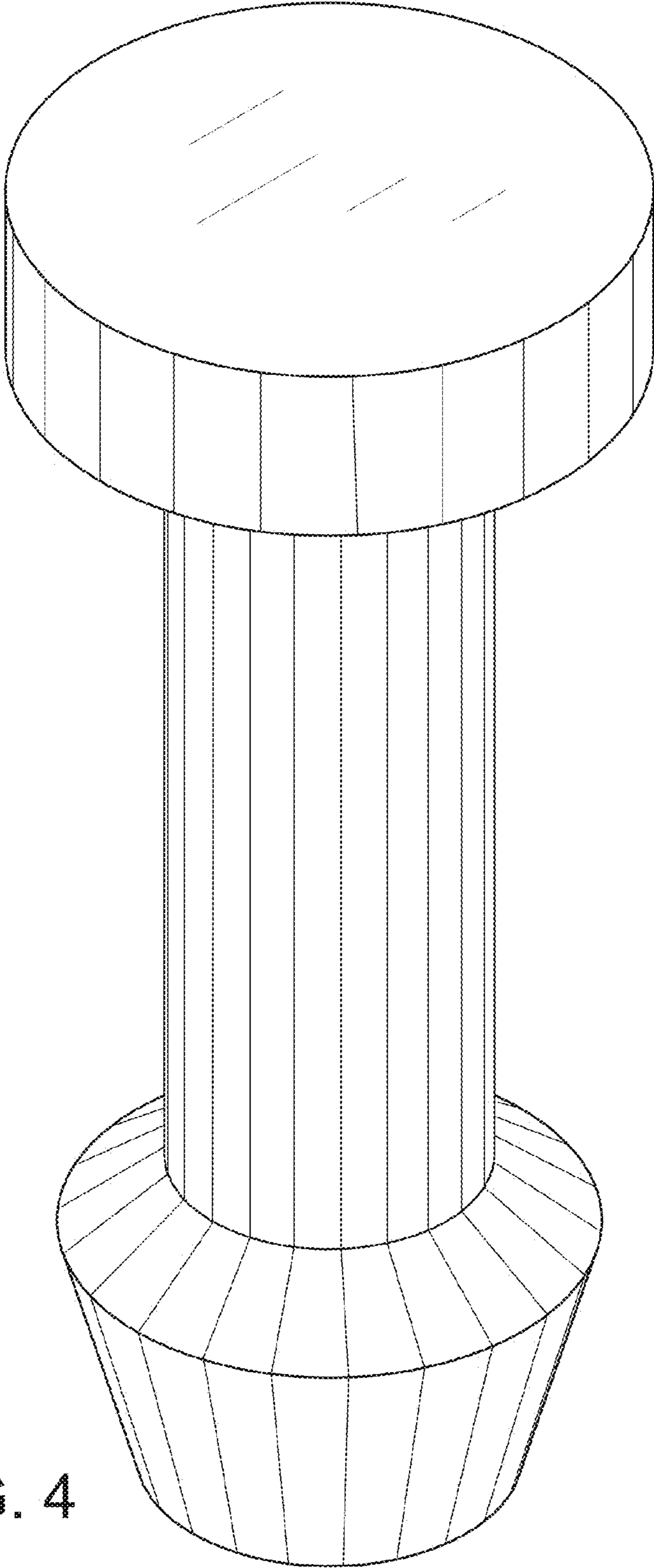


FIG. 4

FIG. 5

